



US00D453552S

(12) **United States Design Patent**
Sato et al.

(10) **Patent No.:** **US D453,552 S**

(45) **Date of Patent:** **** Feb. 12, 2002**

(54) **FLEXIBLE JOINT**

(75) Inventors: **Taichi Sato**, Nagaokakyo; **Yasushi Fujita**, Hyogo-ken, both of (JP)

(73) Assignee: **Waterworks Technology Development Organization, Co., Ltd.**, Osaka (JP)

(**) Term: **14 Years**

(21) Appl. No.: **29/121,254**

(22) Filed: **Apr. 4, 2000**

(51) **LOC (7) Cl.** **23-01**

(52) **U.S. Cl.** **D23/262; D8/382**

(58) **Field of Search** **D23/262-3; 138/118; 285/223, 224; 403/291, 300; D8/382**

(56) **References Cited**

U.S. PATENT DOCUMENTS

D392,372 S	*	3/1998	Sato et al.	D23/264
D426,144 S	*	6/2000	Sato et al.	D23/262
D426,456 S	*	6/2000	Sato et al.	D23/262
D428,805 S	*	8/2000	Sato et al.	D23/262

OTHER PUBLICATIONS

Analog 2 of 938464, Nov. 8, 1995, Japan.

* cited by examiner

Primary Examiner—Robin V. Taylor

(74) *Attorney, Agent, or Firm*—Knobbe, Martens, Olson & Bear, LLP

(57) **CLAIM**

The ornamental design for a flexible joint, as shown and described.

DESCRIPTION

FIG. 1 is a front view of a flexible joint.

FIG. 2 is a rear view of the flexible joint.

FIG. 3 is a top plan view of the flexible joint.

FIG. 4 is a bottom plan view of the flexible joint.

FIG. 5 is a left side view of the flexible joint.

FIG. 6 is a right side view of the flexible joint; and,

FIG. 7 is a perspective view of the flexible joint.

1 Claim, 3 Drawing Sheets

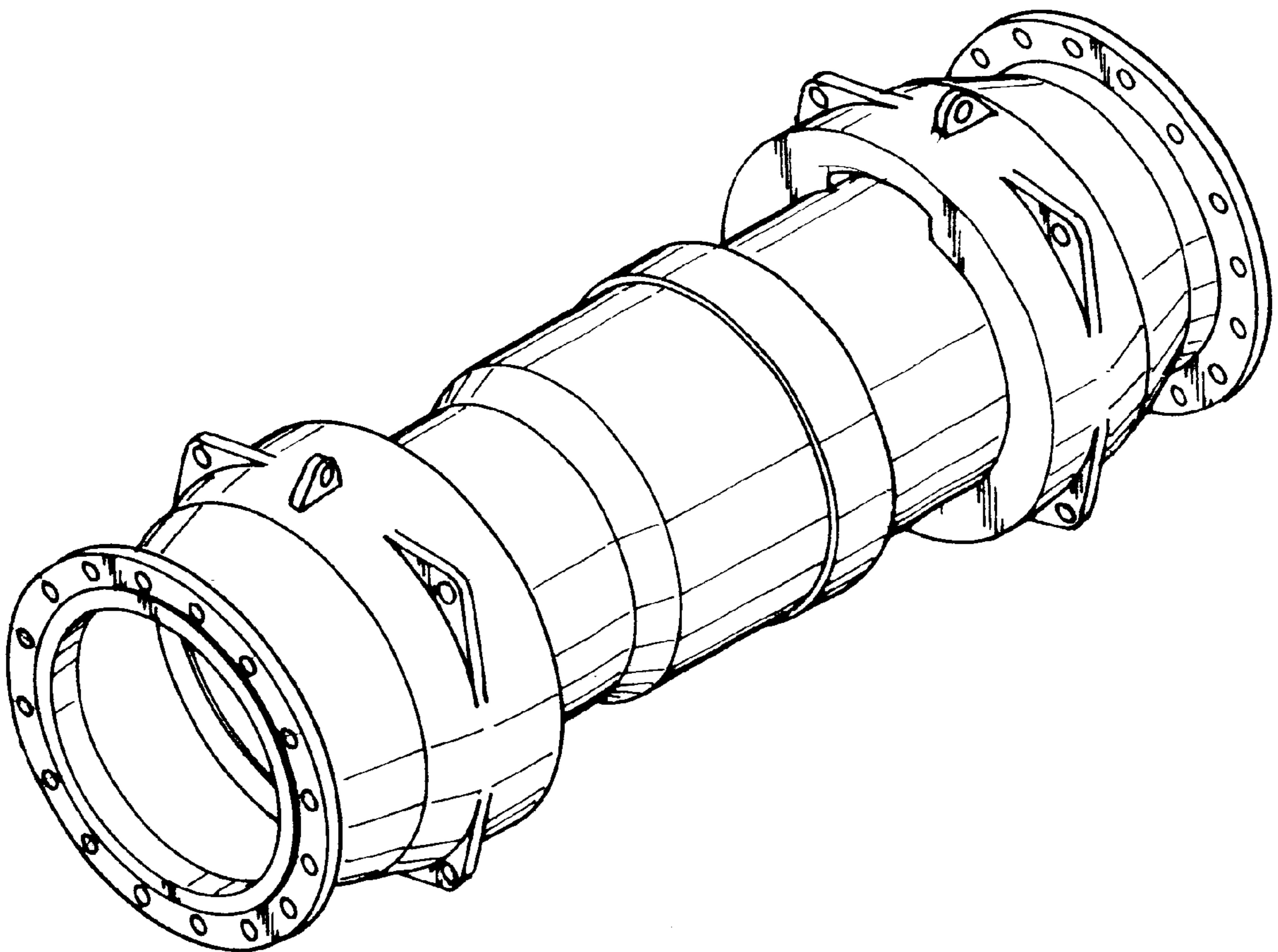


FIG.1

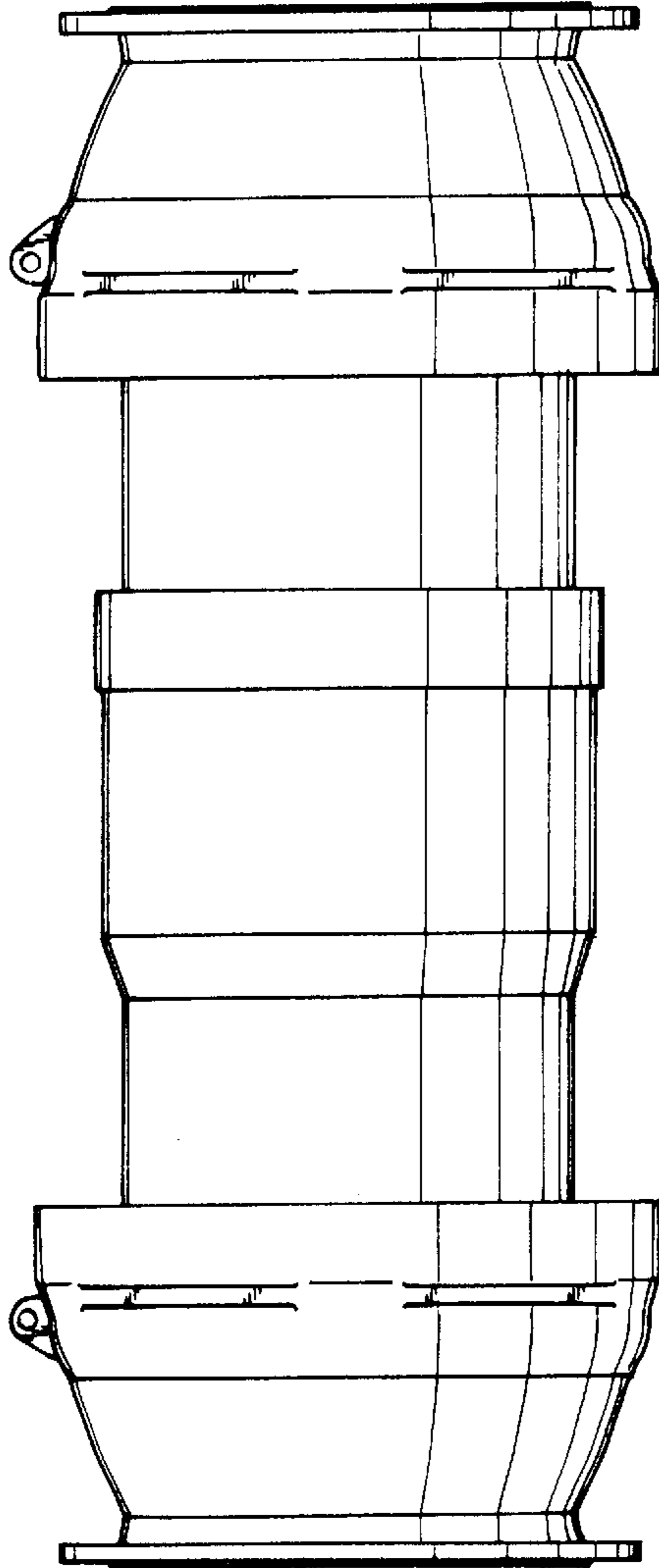


FIG.2

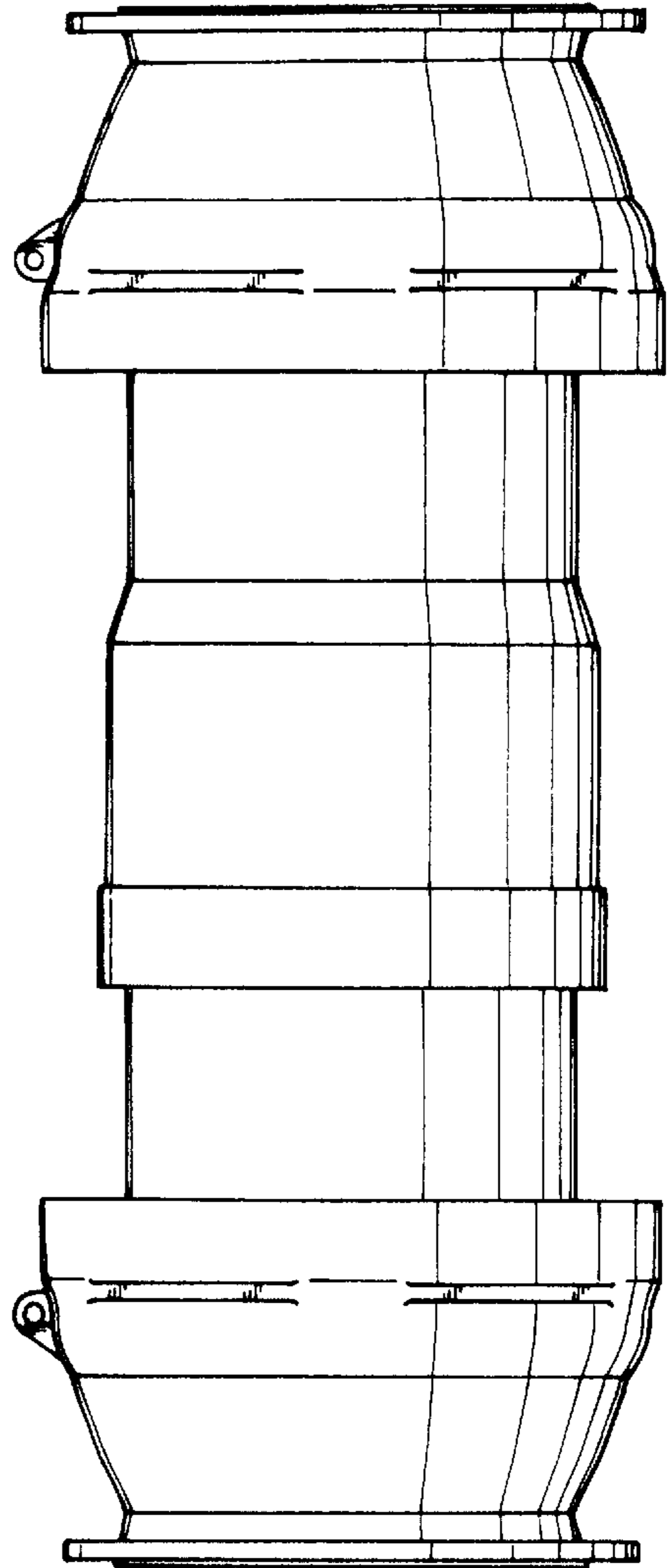


FIG.3

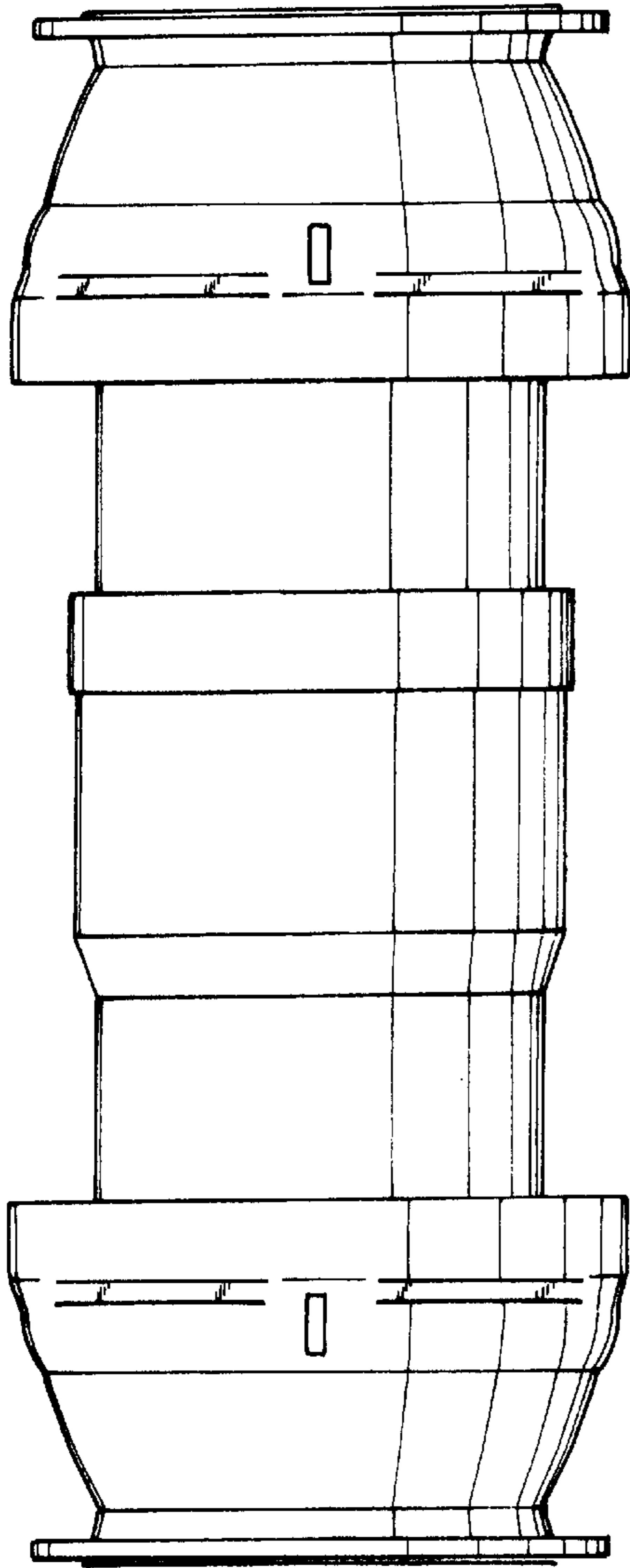
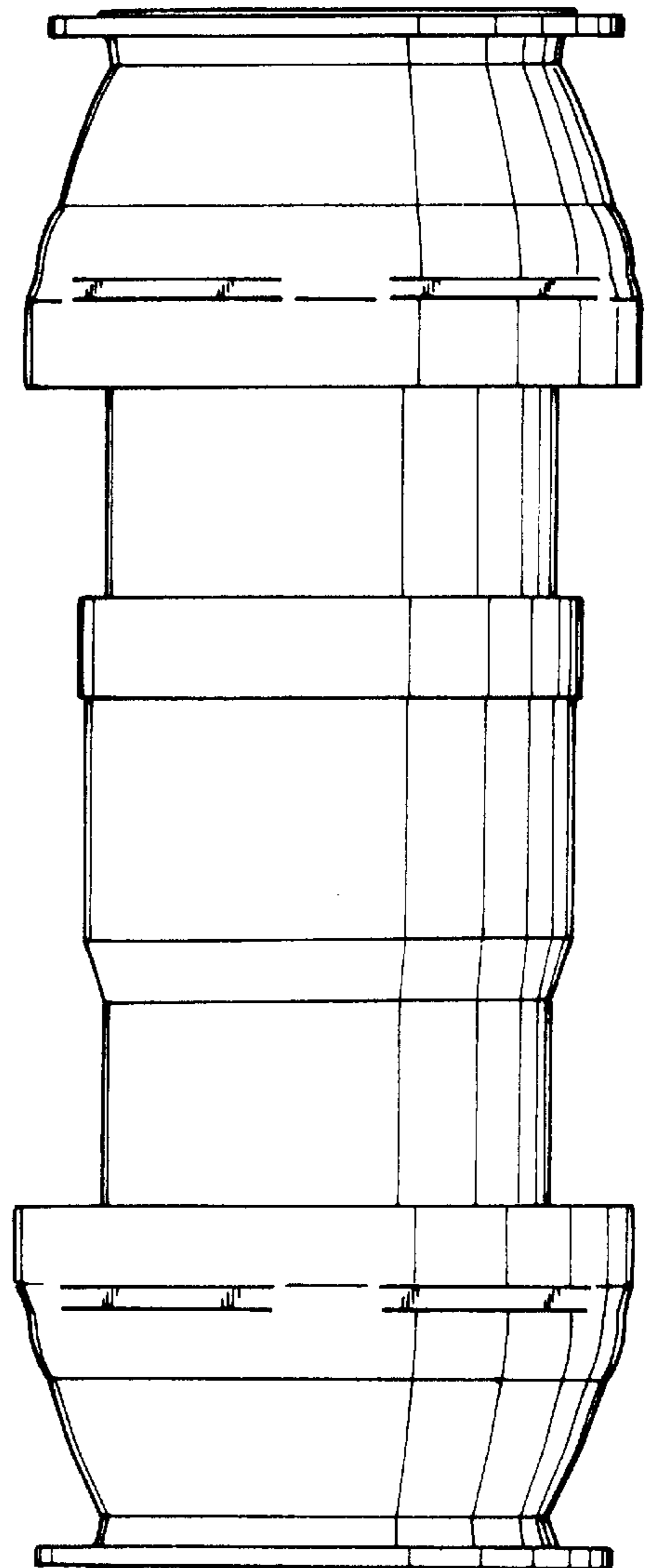


FIG.4



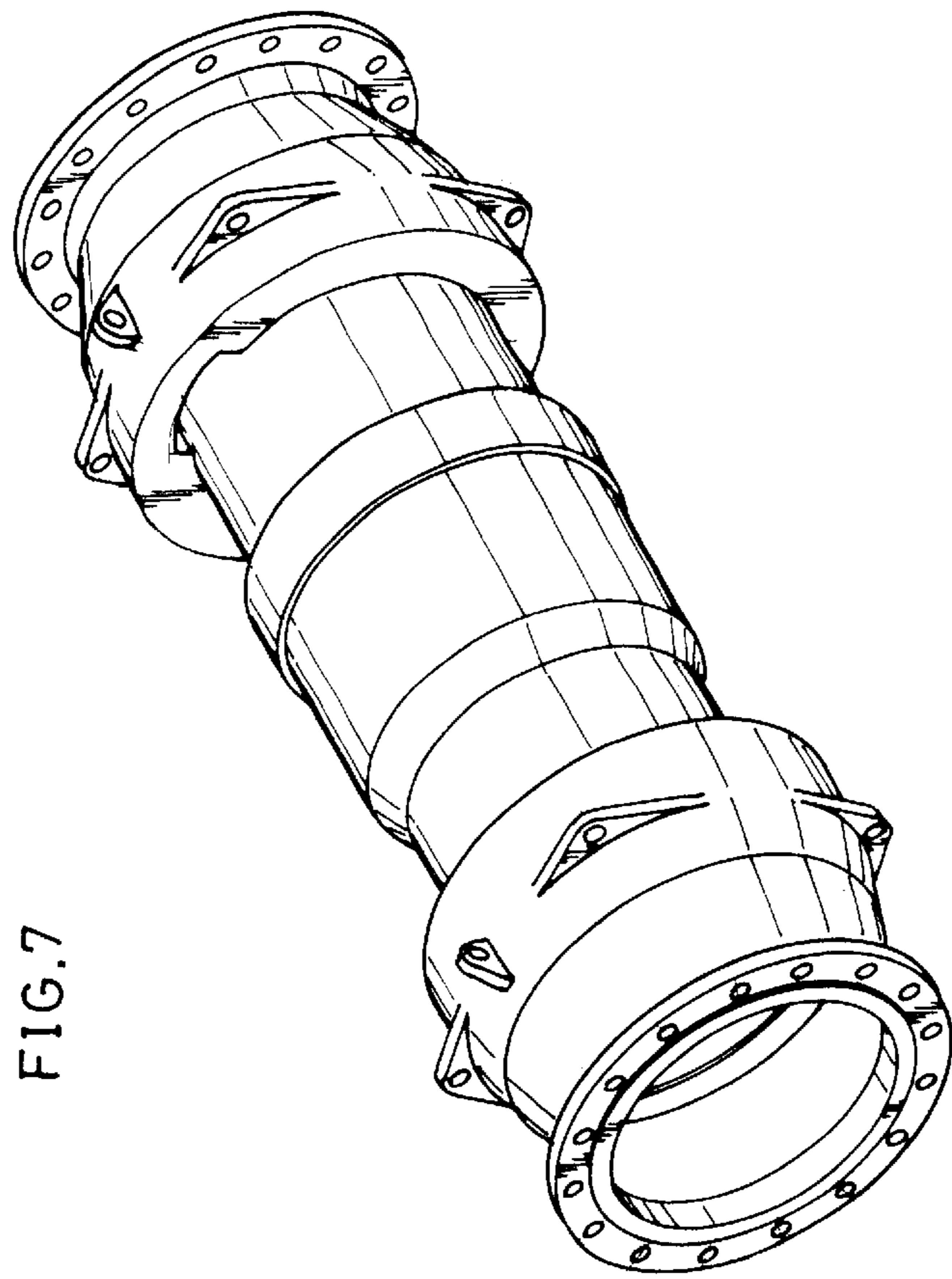


FIG. 7

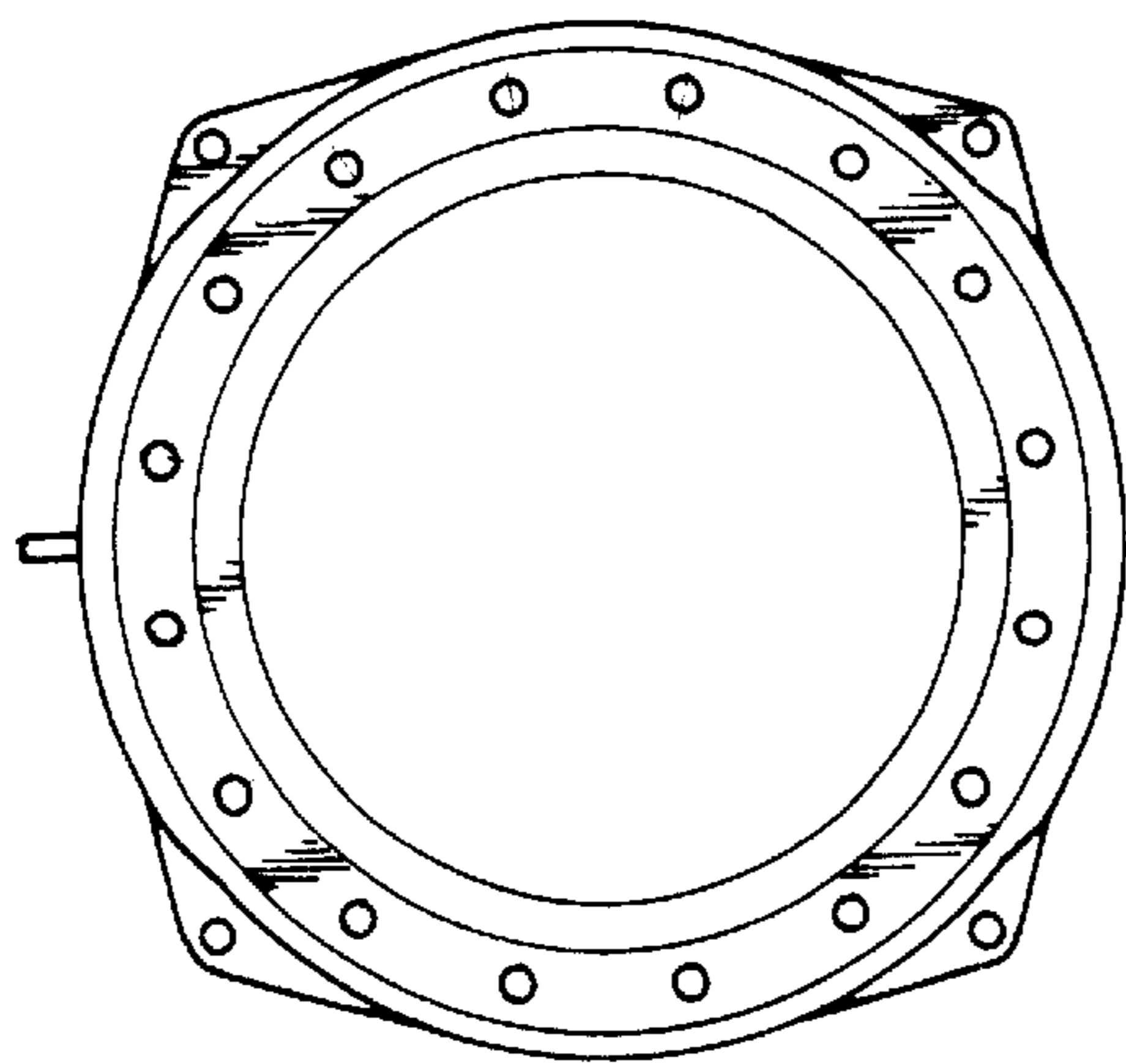


FIG. 5

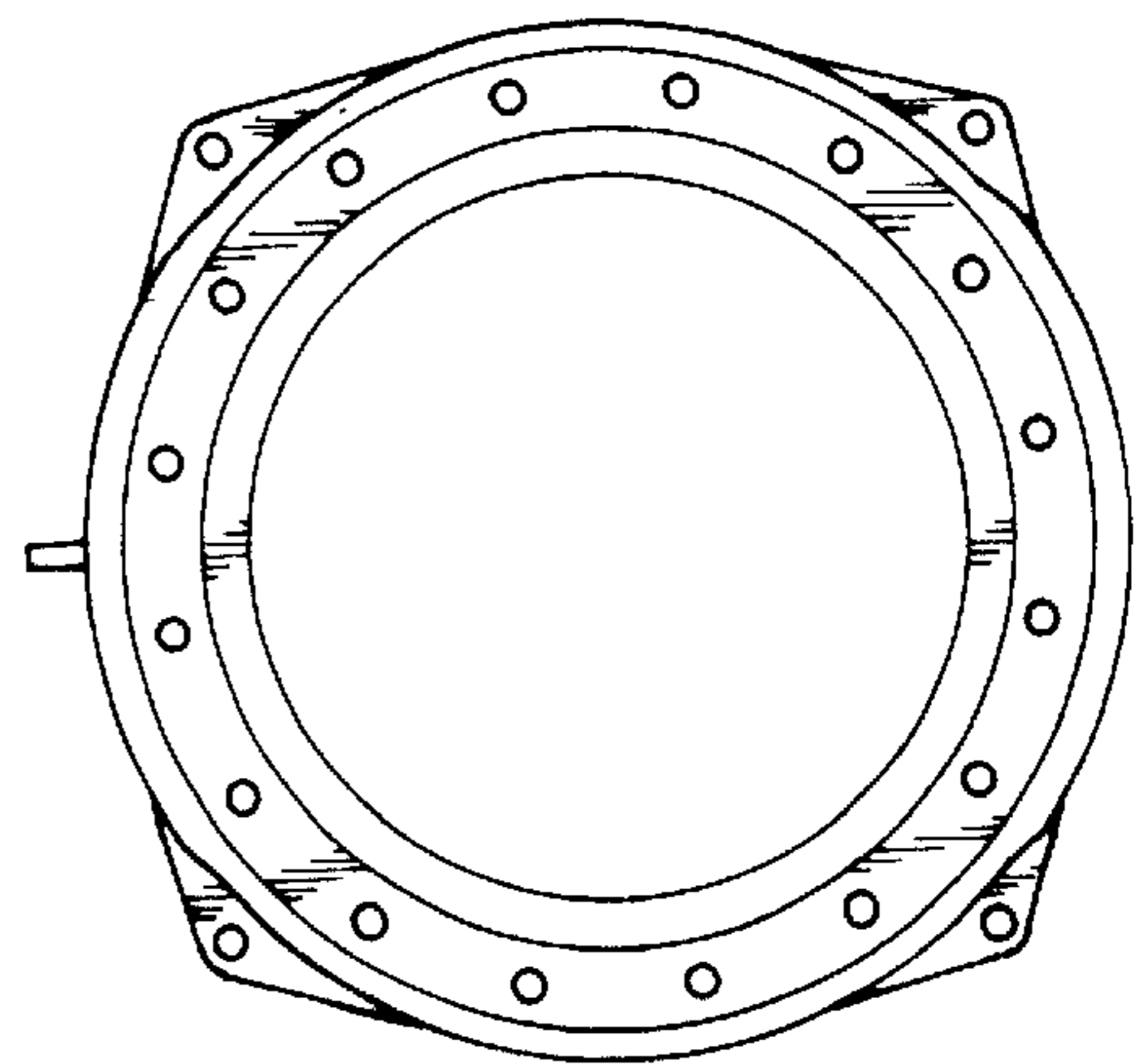


FIG. 6