



US00D453547S

(12) **United States Design Patent**
Salib

(10) **Patent No.:** **US D453,547 S**

(45) **Date of Patent:** **** Feb. 12, 2002**

(54) **DISPENSER FOR COUNTER MEANS**

(75) Inventor: **Ramses Salib, Solna (SE)**

(73) Assignee: **CelsiusTech Electronics AB, Järfälla (SE)**

(**) Term: **14 Years**

(21) Appl. No.: **29/111,469**

(22) Filed: **Sep. 29, 1999**

(30) **Foreign Application Priority Data**

Apr. 1, 1999 (SE) 99-0617

(51) **LOC (7) Cl.** **22-03**

(52) **U.S. Cl.** **D22/116**

(58) **Field of Search** D22/100, 108,
D22/116, 115, 199, 112; 89/1.51, 1.53,
1.54, 1.58, 1.59; 102/505

(56) **References Cited**

U.S. PATENT DOCUMENTS

2,741,159 A * 4/1956 Procos 89/1.51
3,023,703 A * 3/1962 Beatty 102/505
3,088,404 A * 5/1963 Brown et al. 89/1.51

3,137,231 A * 6/1964 Johnson 102/505
3,430,533 A * 3/1969 Kifor et al. 89/1.51
4,679,483 A 7/1987 Wranå
5,763,811 A * 6/1998 Ruzicka 89/1.51

FOREIGN PATENT DOCUMENTS

GB 2 133 864 8/1984

* cited by examiner

Primary Examiner—Louis S. Zarfes

Assistant Examiner—Monica A. Weingart

(74) *Attorney, Agent, or Firm*—Connolly Bove Lodge & Hutz LLP

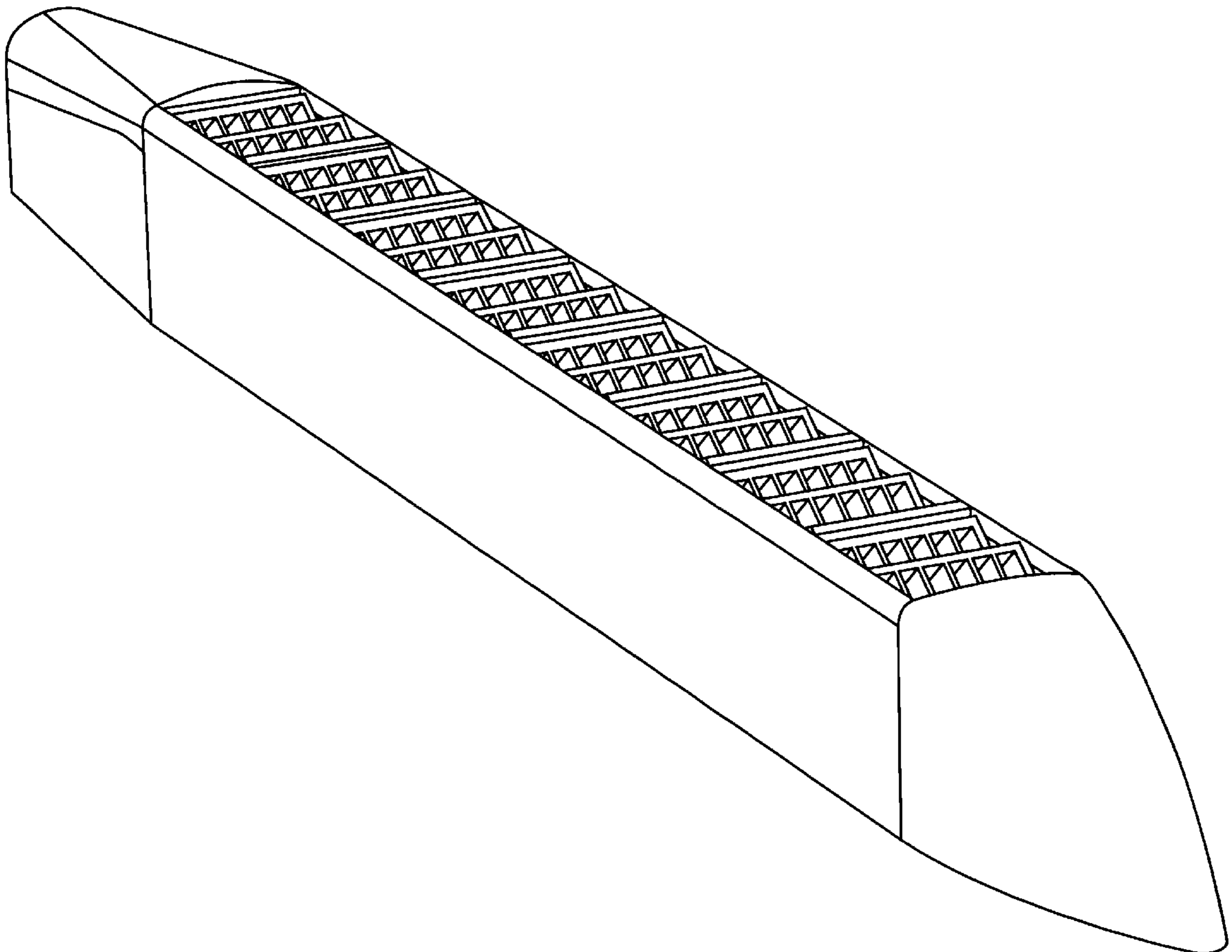
(57) **CLAIM**

The ornamental design for a dispenser for counter means, as shown and described.

DESCRIPTION

FIG. 1 is a top, front perspective view of a dispenser for counter means for ammunition units having rectangular shaped end sections, showing my new design; FIG. 2 is a top, rear perspective view thereof; and, FIG. 3 is a bottom, front perspective view thereof.

1 Claim, 3 Drawing Sheets



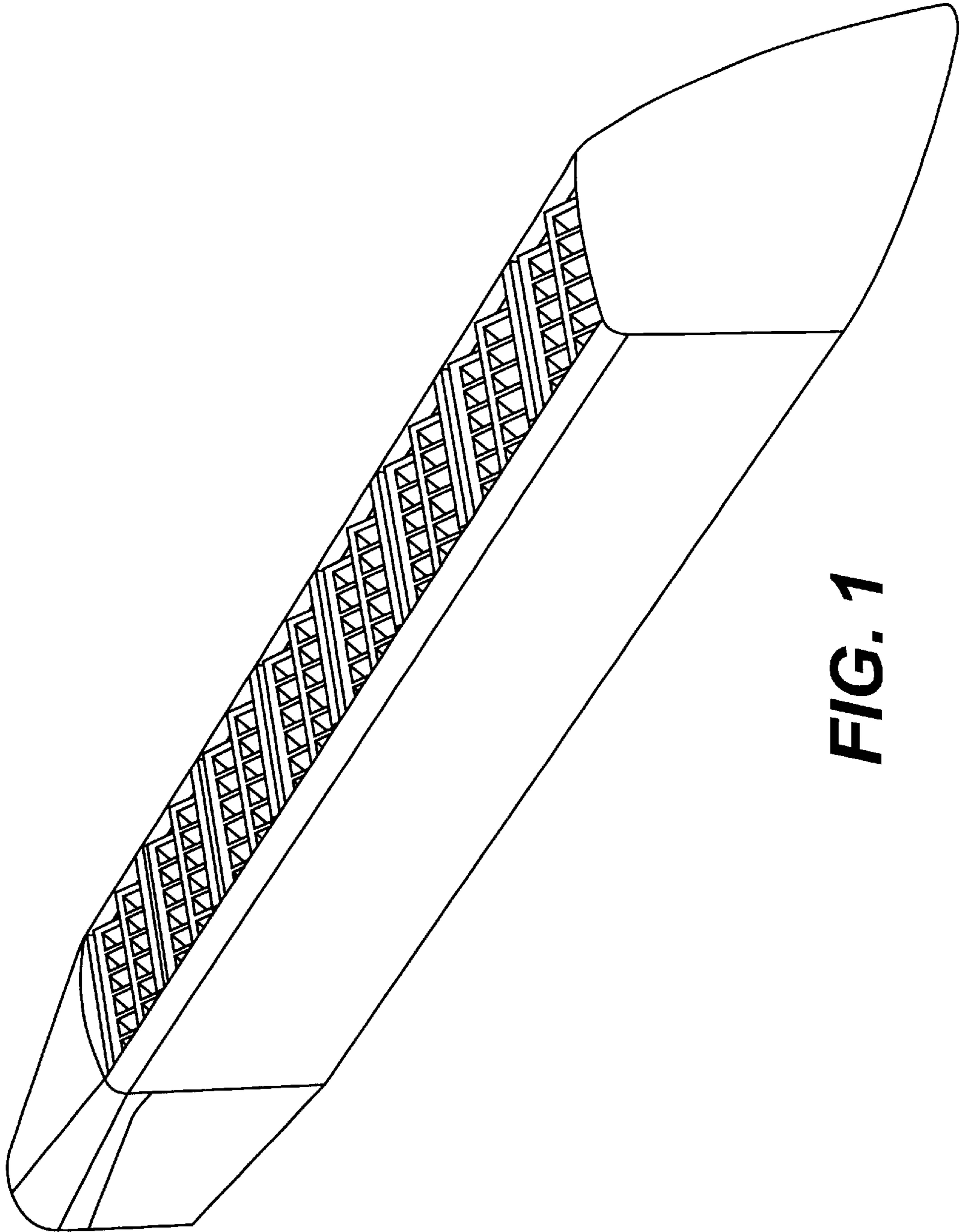


FIG. 1

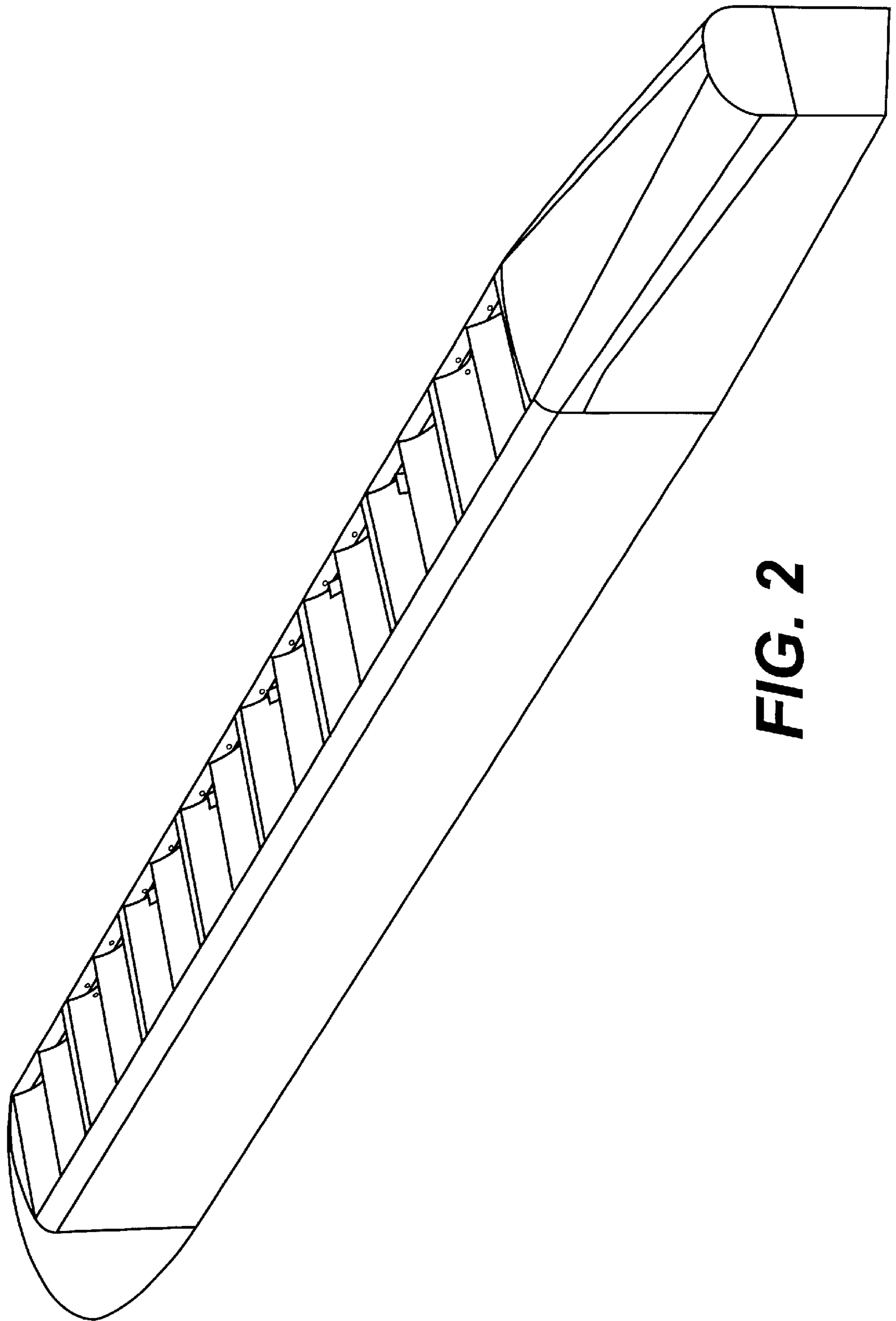


FIG. 2

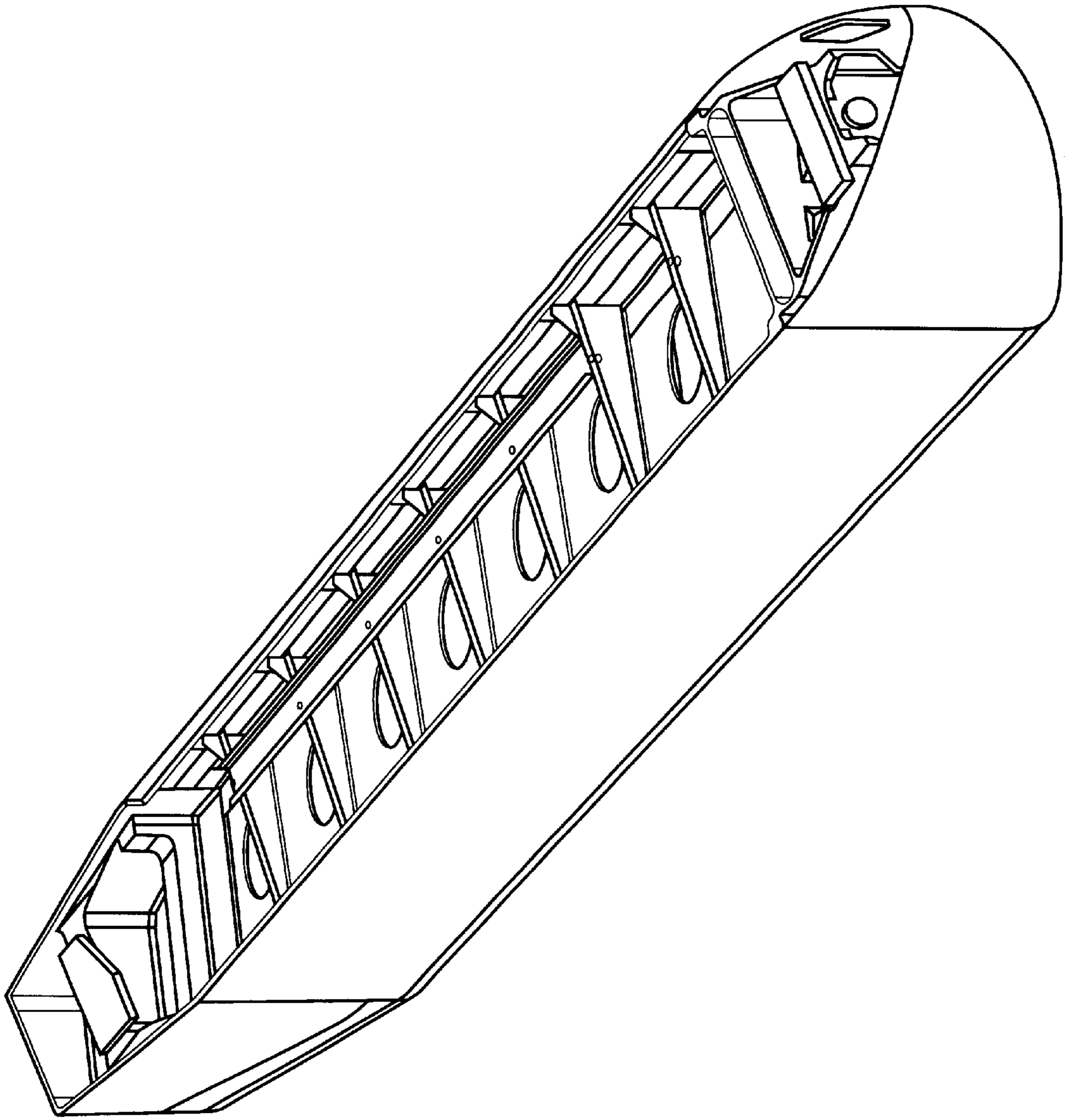


FIG. 3