



US00D453545S

(12) **United States Design Patent**
Plonka

(10) **Patent No.:** **US D453,545 S**

(45) **Date of Patent:** **** Feb. 12, 2002**

(54) **WEAVER BASE ADAPTER SET FOR RUGER STYLE FIREARMS**

D391,335 S * 2/1998 Bechtel D22/110
D447,532 S * 9/2001 Keng D22/110

(76) **Inventor:** **Skip M. Plonka**, 7S065 Suffield Ct. -
Unit #106, Westmont, IL (US)
60559-3045

* cited by examiner

Primary Examiner—Louis S. Zarfes
Assistant Examiner—Monica A. Weingart

(**) **Term:** **14 Years**

(57) **CLAIM**

(21) **Appl. No.:** **29/144,495**

I claim the ornamental design for a weaver base adapter set for ruger style firearms, as shown and described.

(22) **Filed:** **Jul. 5, 2001**

DESCRIPTION

(51) **LOC (7) Cl.** **22-01**

(52) **U.S. Cl.** **D22/110**

(58) **Field of Search** D22/100, 108,
D22/109, 110, 199; 42/70.01, 124, 127

FIG. 1 is a perspective view of a weaver base adapter set for ruger style firearms showing my new design.

FIG. 2 is a front elevational view thereof; the rear elevational view being a mirror image of the front.

FIG. 3 is a left side elevational view thereof.

FIG. 4 is a right side elevational view thereof.

FIG. 5 is a top plan view thereof.

FIG. 6 is a bottom plan view thereof; and,

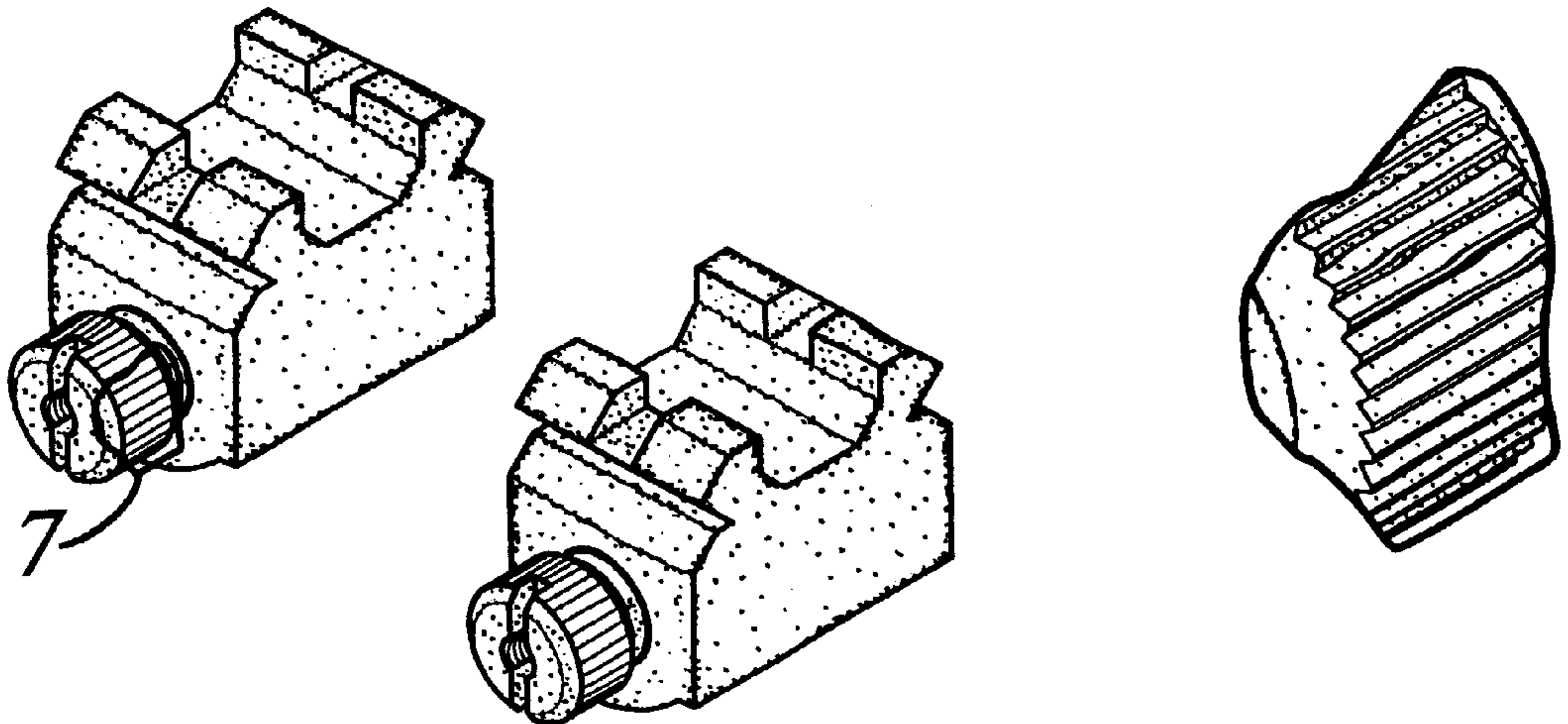
FIG. 7 is an enlarged view showing the detail of the area denoted by (7) in FIG. 1.

(56) **References Cited**

U.S. PATENT DOCUMENTS

3,750,318 A * 8/1973 Burris 42/127
D260,165 S * 8/1981 Ross D22/110
D269,450 S * 6/1983 Bechtel D22/110
5,606,818 A * 3/1997 Hardee 42/124

1 Claim, 1 Drawing Sheet



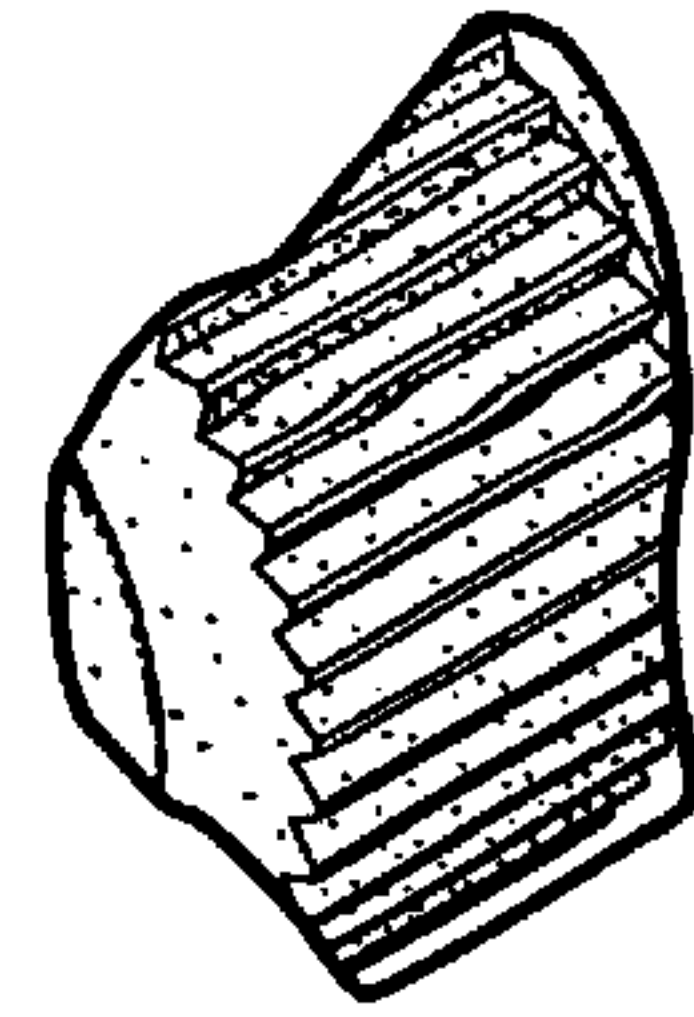
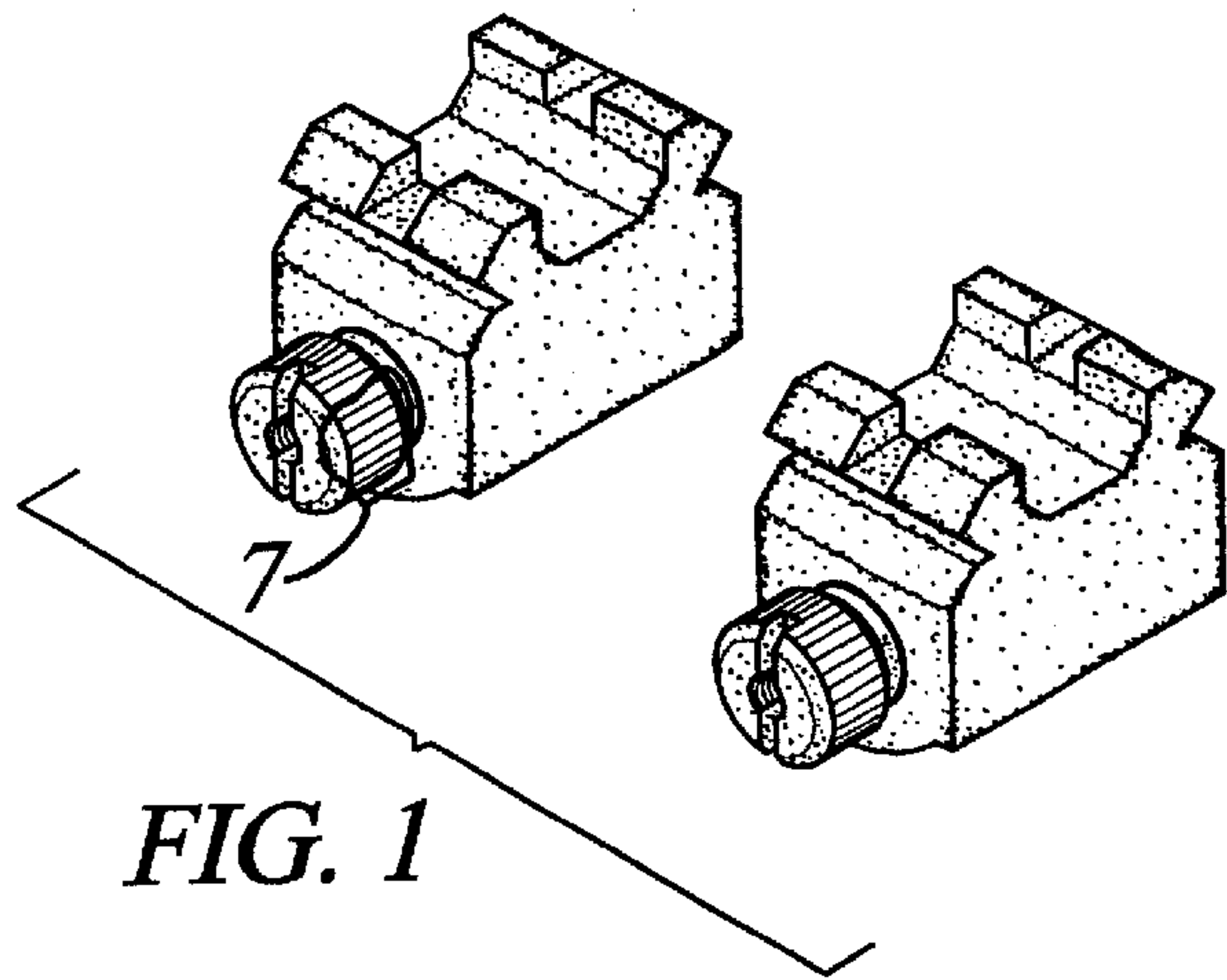


FIG. 5

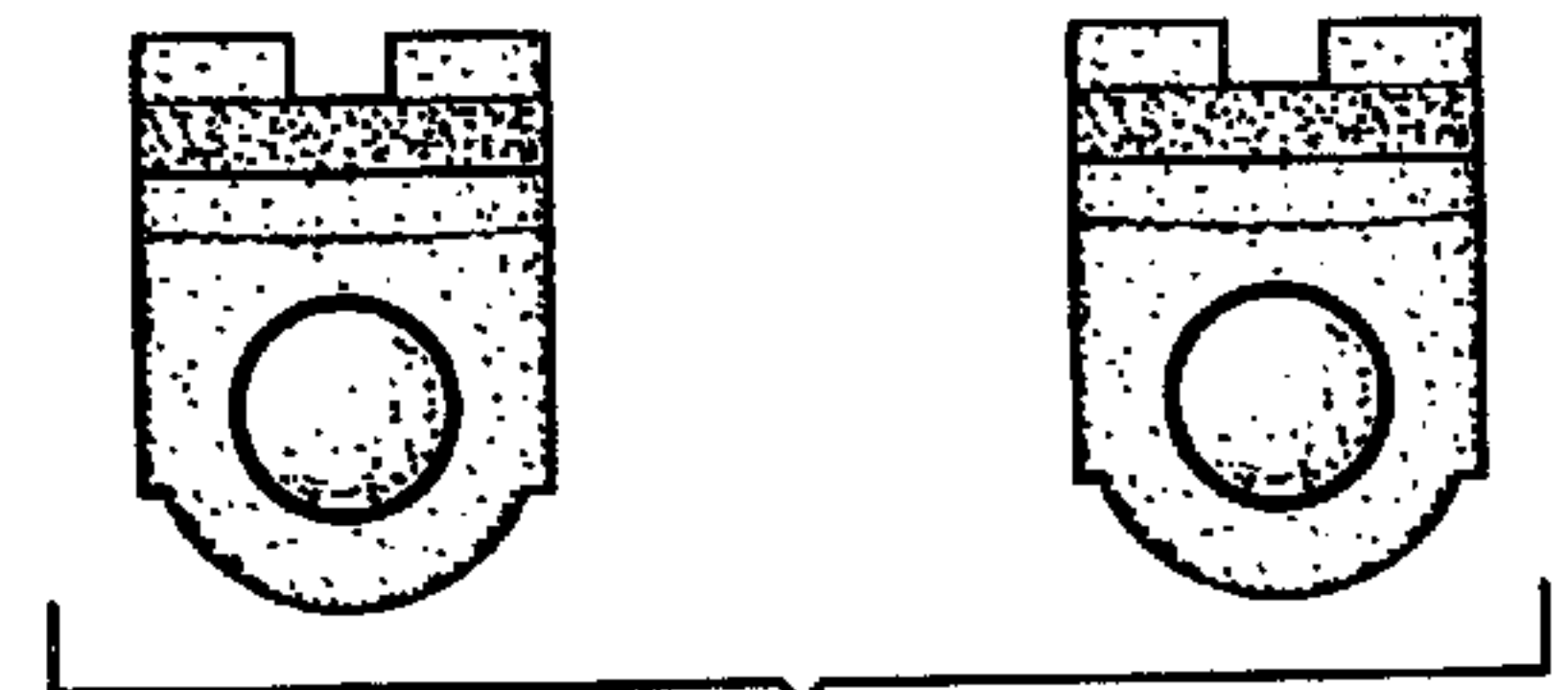
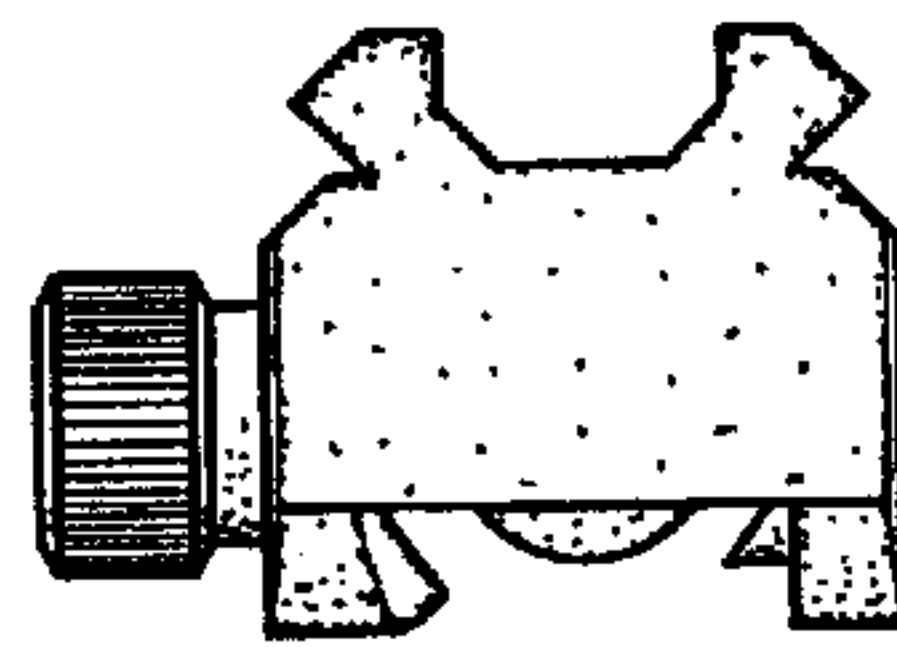
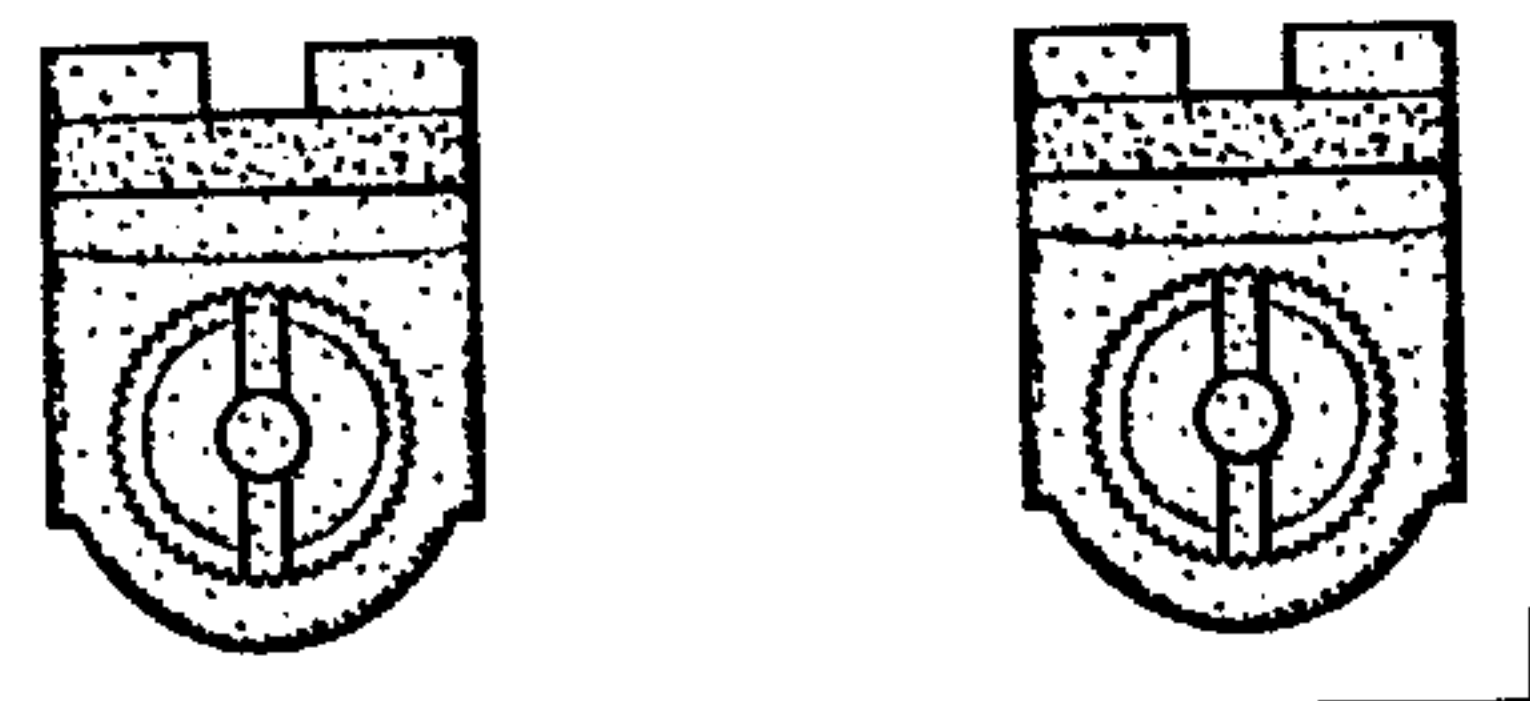
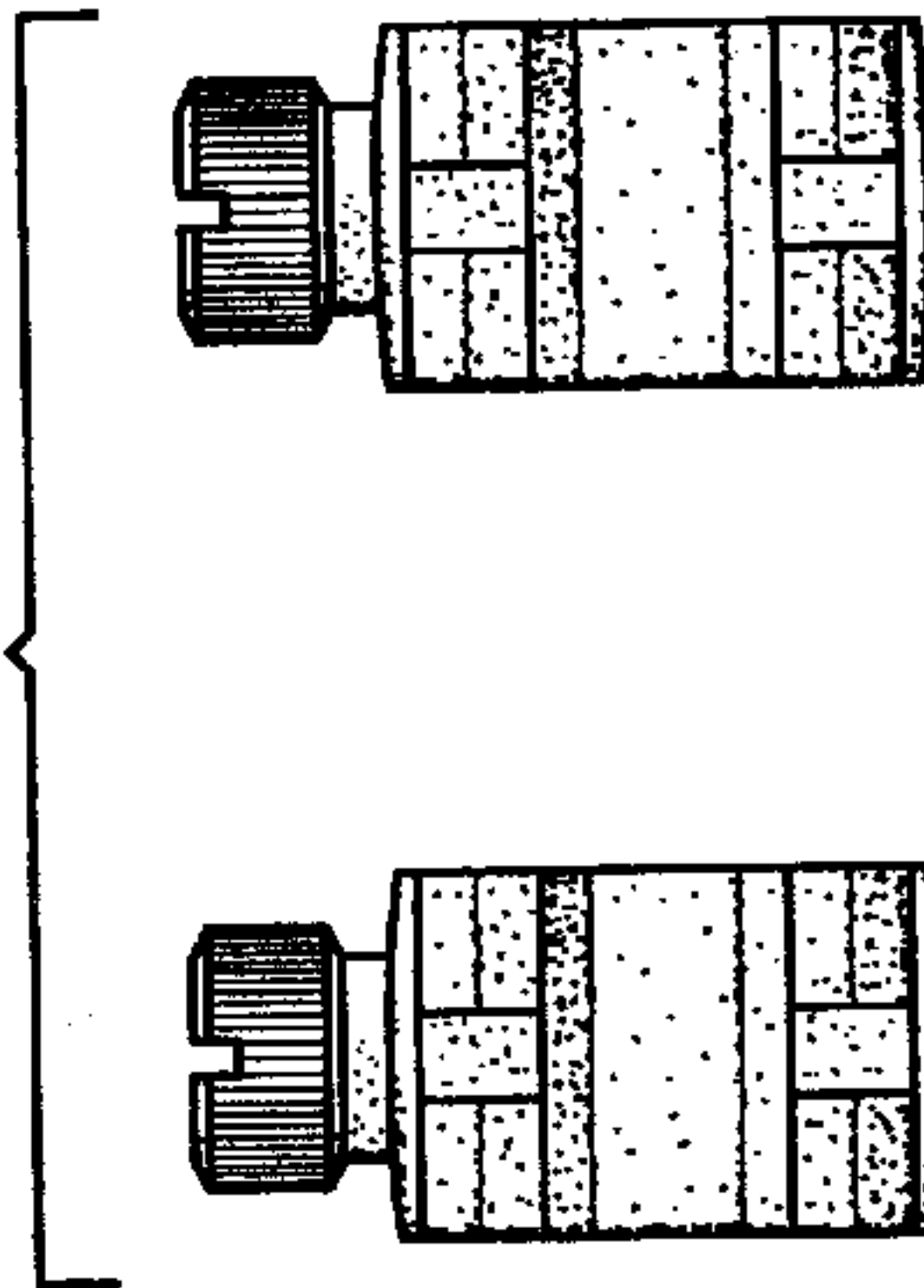


FIG. 3

FIG. 2

FIG. 4

FIG. 6

