



US00D453542S

(12) **United States Design Patent**  
**Louiso**

(10) **Patent No.:** **US D453,542 S**

(45) **Date of Patent:** **\*\* Feb. 12, 2002**

(54) **DUMBBELL REST**

(76) **Inventor:** **David T. Louiso**, 7208 Thompson Rd.,  
Goshen, OH (US) 45122

(\*\*) **Term:** **14 Years**

(21) **Appl. No.:** **29/135,347**

(22) **Filed:** **Jan. 11, 2001**

(51) **LOC (7) Cl.** ..... **21-02**

(52) **U.S. Cl.** ..... **D21/694; D21/686**

(58) **Field of Search** ..... D21/662, 686,  
D21/690, 694; 482/101, 100, 104, 106,  
107, 108, 142, 148

(56) **References Cited**

**U.S. PATENT DOCUMENTS**

|             |   |        |                |       |         |
|-------------|---|--------|----------------|-------|---------|
| 4,205,838 A | * | 6/1980 | McIntosh       | ..... | 482/104 |
| 4,666,150 A | * | 5/1987 | Segrist et al. | ..... | 482/104 |
| 5,411,459 A | * | 5/1995 | Hayden         | ..... | 482/104 |
| 5,725,460 A | * | 3/1998 | Marsh          | ..... | 482/104 |
| 5,924,964 A | * | 7/1999 | Hayden         | ..... | 482/104 |

|             |   |         |         |       |         |
|-------------|---|---------|---------|-------|---------|
| 5,954,619 A | * | 9/1999  | Petrone | ..... | 482/104 |
| D415,223 S  | * | 10/1999 | Gay     | ..... | D21/694 |
| D425,152 S  | * | 5/2000  | Ceppo   | ..... | D21/686 |

\* cited by examiner

*Primary Examiner*—Philip S. Hyder  
(74) *Attorney, Agent, or Firm*—Neal O. Willmann

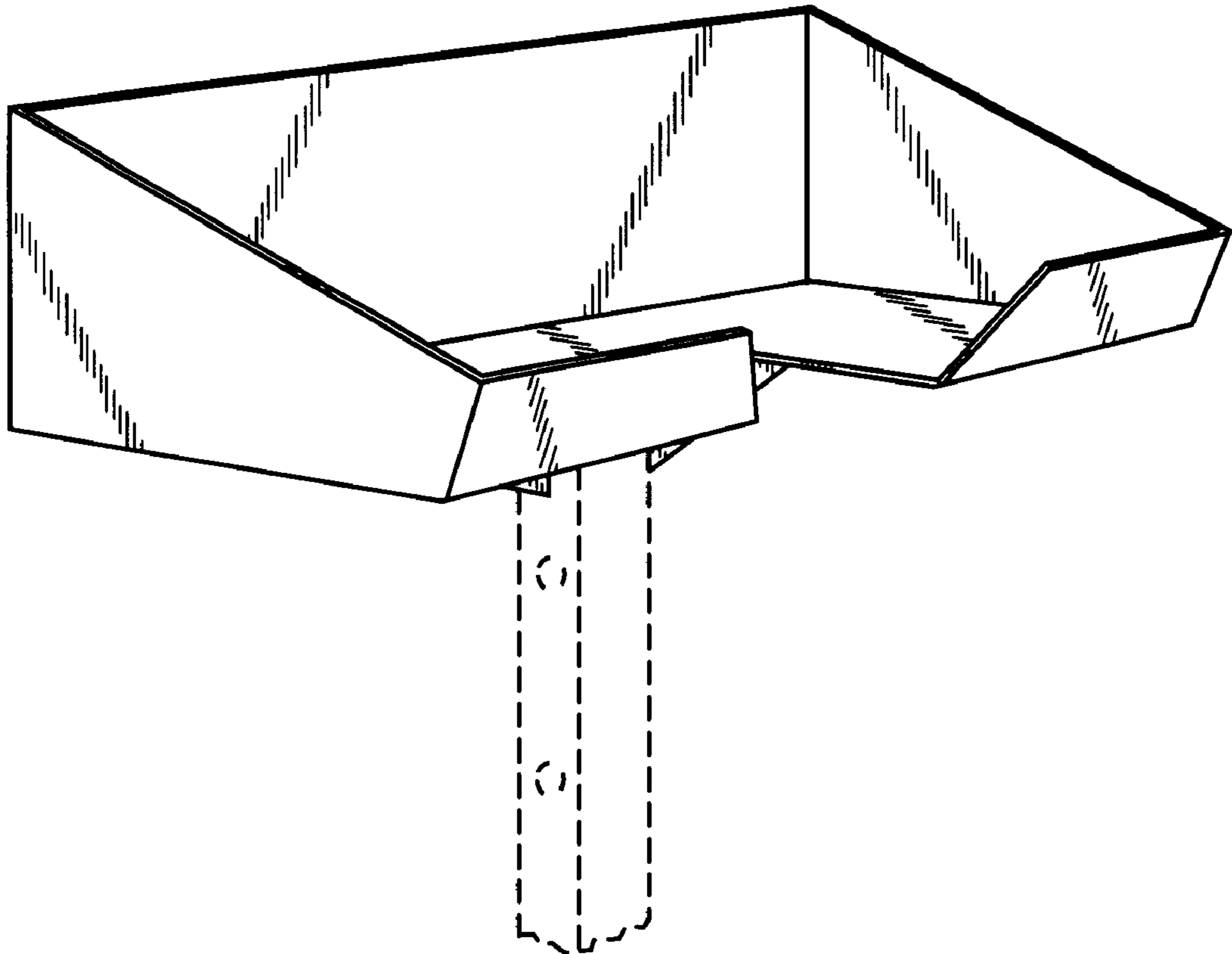
(57) **CLAIM**

The ornamental design for dumbbell rest, as shown and described.

**DESCRIPTION**

FIG. 1 is a perspective view of a dumbbell rest, showing my new design;  
FIG. 2 is a top plan view thereof;  
FIG. 3 is a rear elevational view thereof;  
FIG. 4 is a bottom plan view thereof; and,  
FIG. 5 is a right side elevational view thereof, wherein the left side elevational view is a mirror image thereof.  
The broken line portions of the disclosure are for illustrative purposes only and form no part of the claimed design.

**1 Claim, 1 Drawing Sheet**



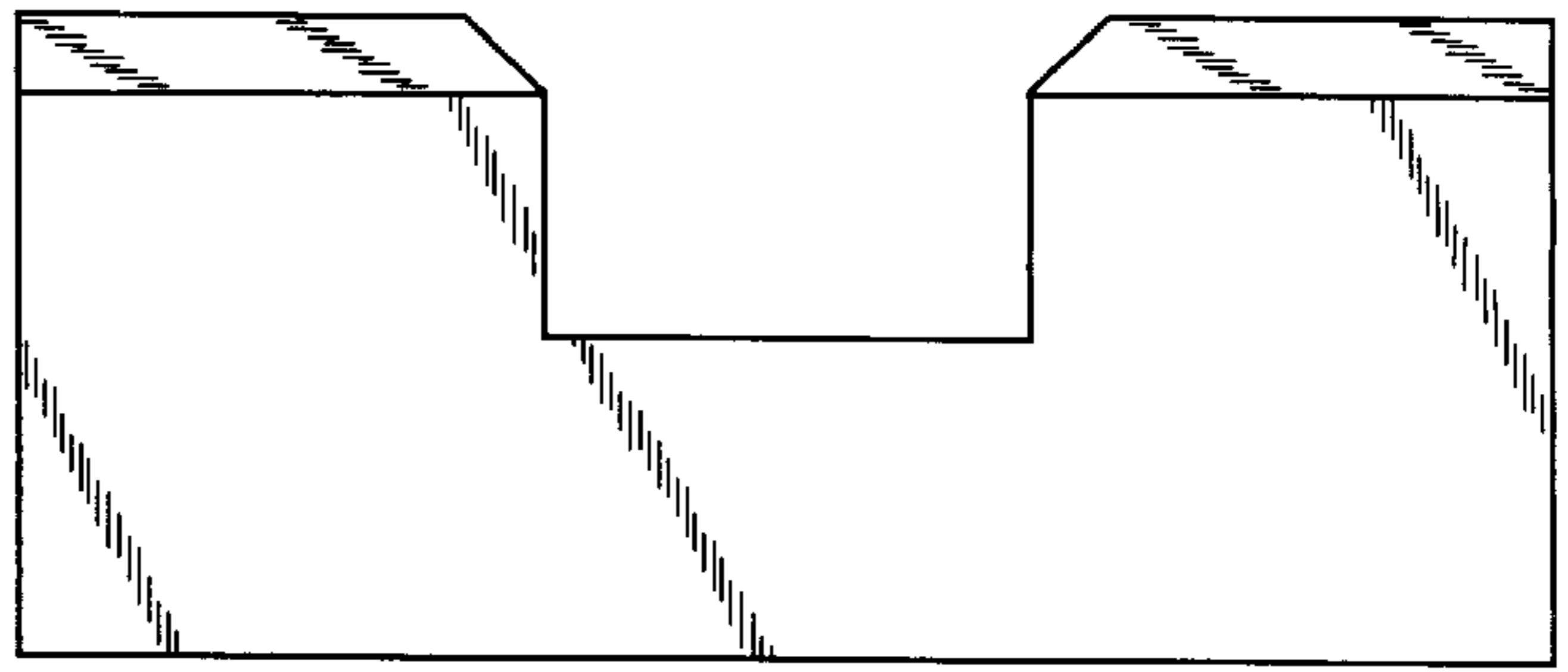


FIG. 2

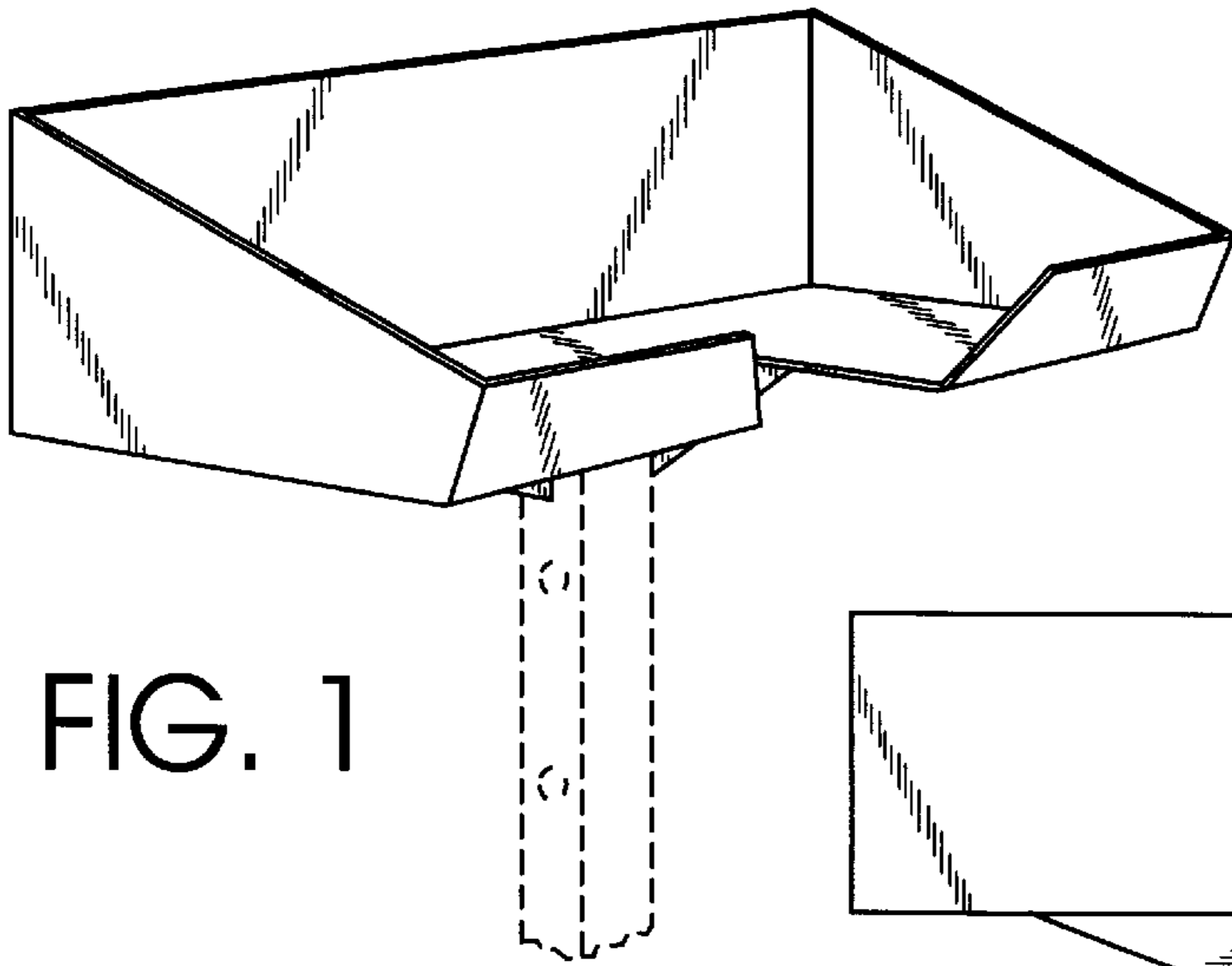


FIG. 1

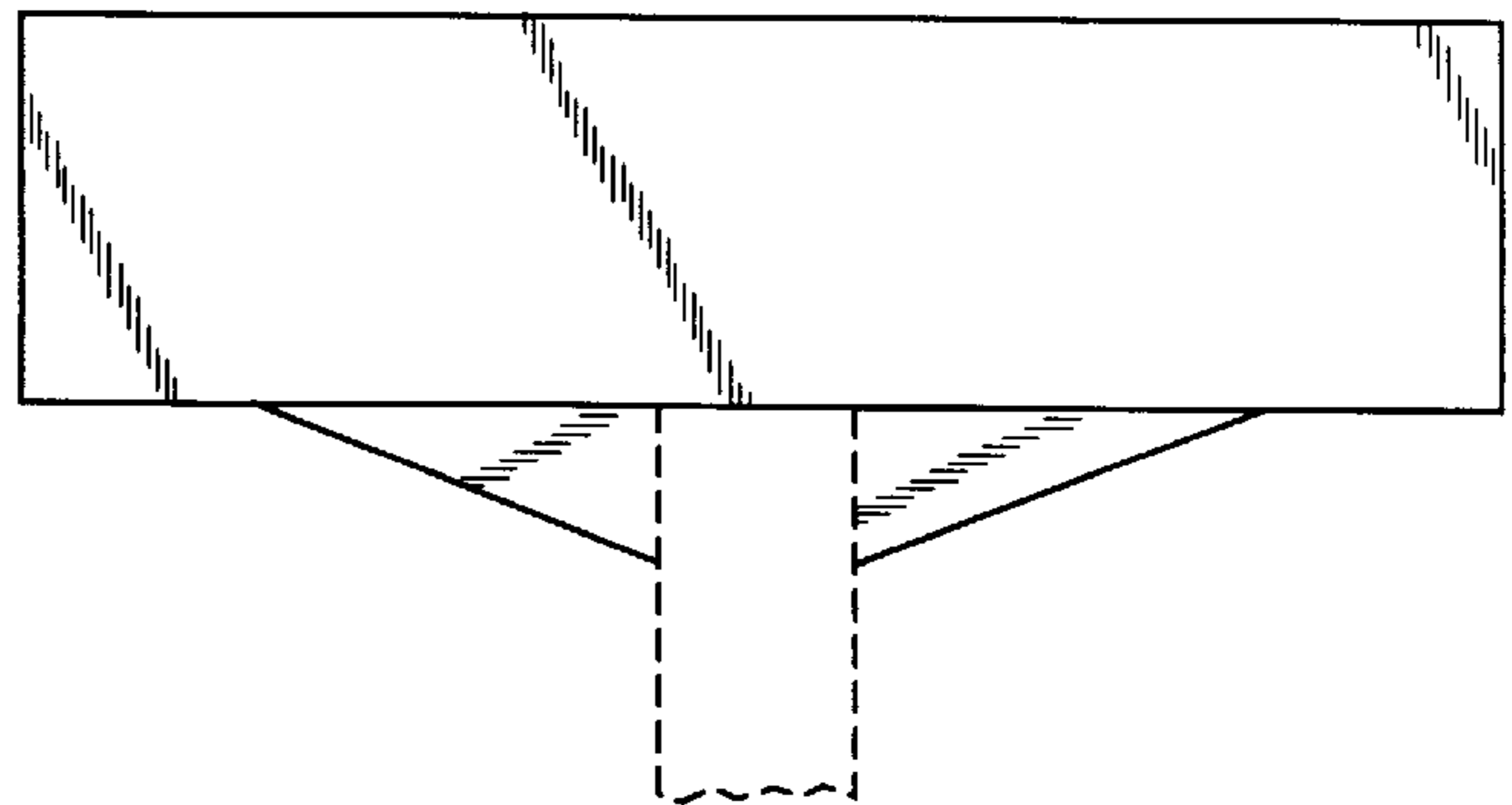


FIG. 3

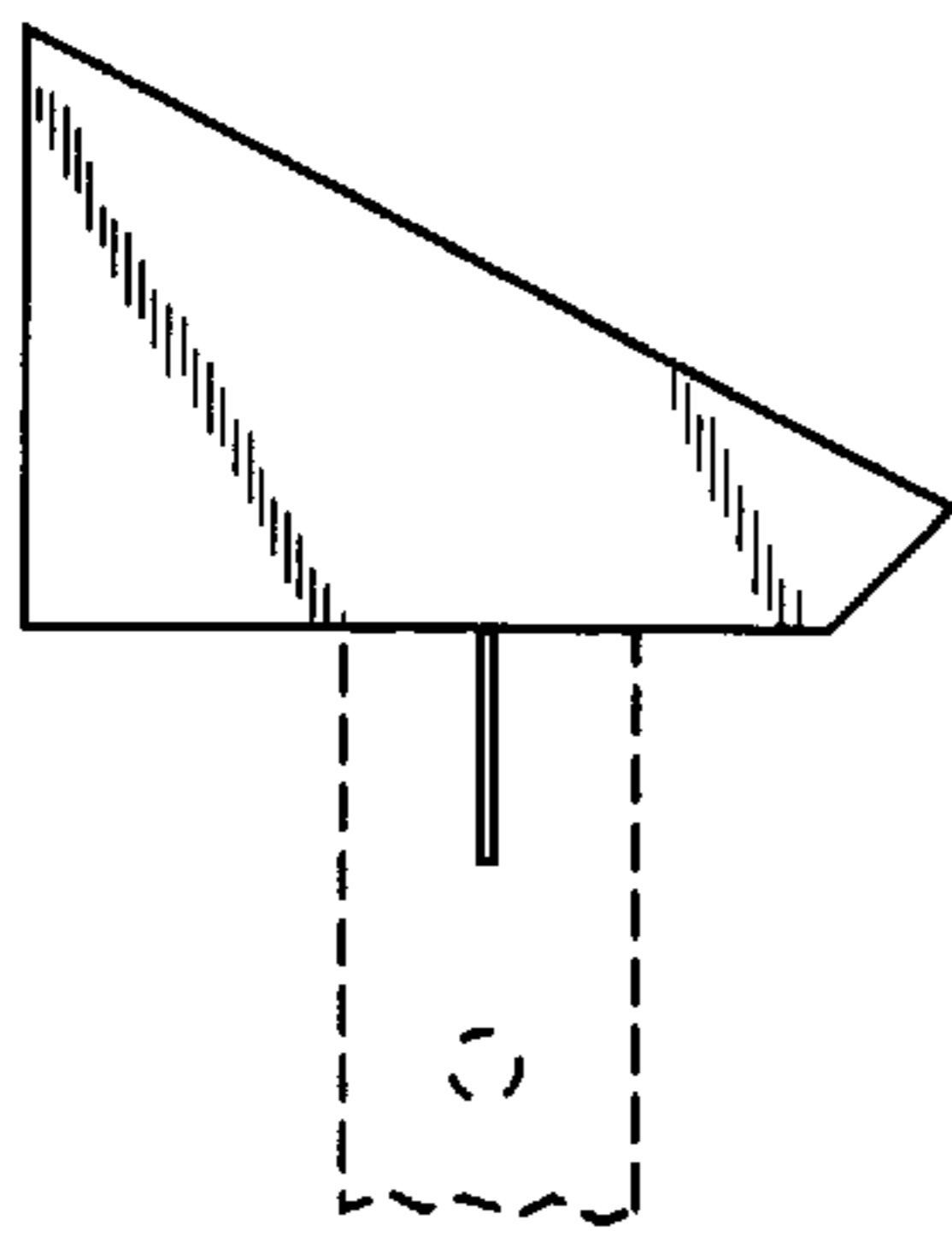


FIG. 5

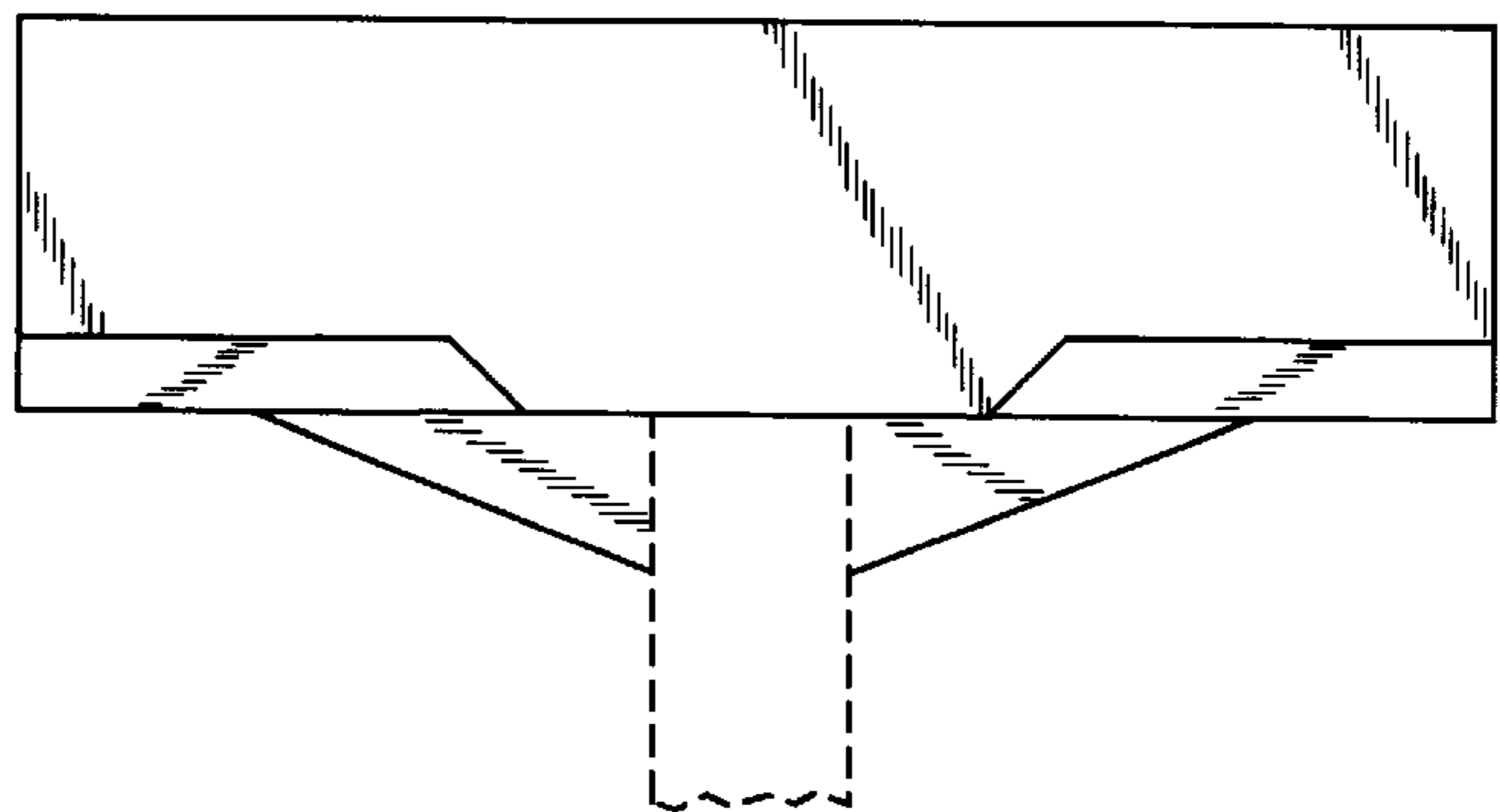


FIG. 4