



US00D453538S

(12) **United States Design Patent**
Tseng

(10) **Patent No.:** **US D453,538 S**

(45) **Date of Patent:** **** Feb. 12, 2002**

(54) **TWIST CAR**

(76) **Inventor:** **Chuan-Fu Tseng**, 6F-1, No. 16, Lane
79, Chungsiao St., Fengyuan City,
Taichung Hsien (TW)

(**) **Term:** **14 Years**

(21) **Appl. No.:** **29/143,271**

(22) **Filed:** **Jun. 11, 2001**

(51) **LOC (7) Cl.** **21-01**

(52) **U.S. Cl.** **D21/433; D21/424**

(58) **Field of Search** **D21/419-435,**
D21/533-539, 548-551; D12/1, 16, 85,
87, 88; 446/424-425, 427, 433, 450, 454,
456-457, 465, 470; 280/87.01, 87.02 R,
87.021

(56) **References Cited**

U.S. PATENT DOCUMENTS

3,078,619 A * 2/1963 Brown 446/465
4,300,783 A * 11/1981 Fisher 280/87.02 R
D274,443 S * 6/1984 Appel et al. D21/433

D347,528 S * 6/1994 Lee D21/433
D352,741 S * 11/1994 Nakai D21/424
5,788,253 A * 8/1998 Thomson et al. 280/87.041
D418,546 S * 1/2000 Jones et al. D21/424
D424,126 S * 5/2000 Goes et al. D21/419
D432,182 S * 10/2000 Tuyl et al. D21/433

* cited by examiner

Primary Examiner—Raphael Barkai

(74) *Attorney, Agent, or Firm*—Pearne & Gordon LLP

(57) **CLAIM**

The ornamental design for a twist car, as shown.

DESCRIPTION

FIG. 1 is a perspective view of a twist car showing my new design;

FIG. 2 is a front elevational view thereof;

FIG. 3 is a rear elevational view thereof;

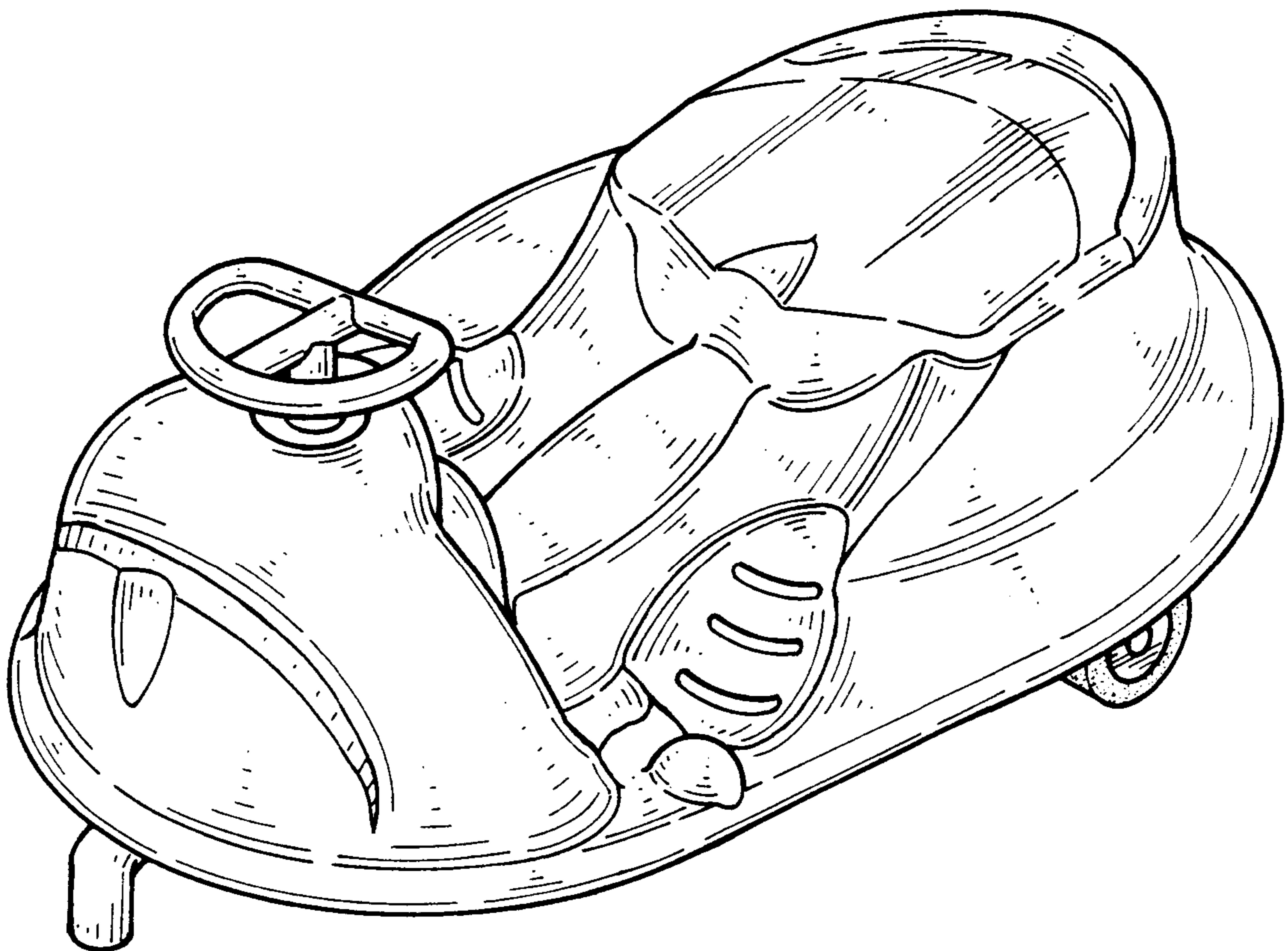
FIG. 4 is a left side view thereof;

FIG. 5 is a right side view thereof;

FIG. 6 is a top plain view thereof; and,

FIG. 7 is a bottom plain view thereof.

1 Claim, 5 Drawing Sheets



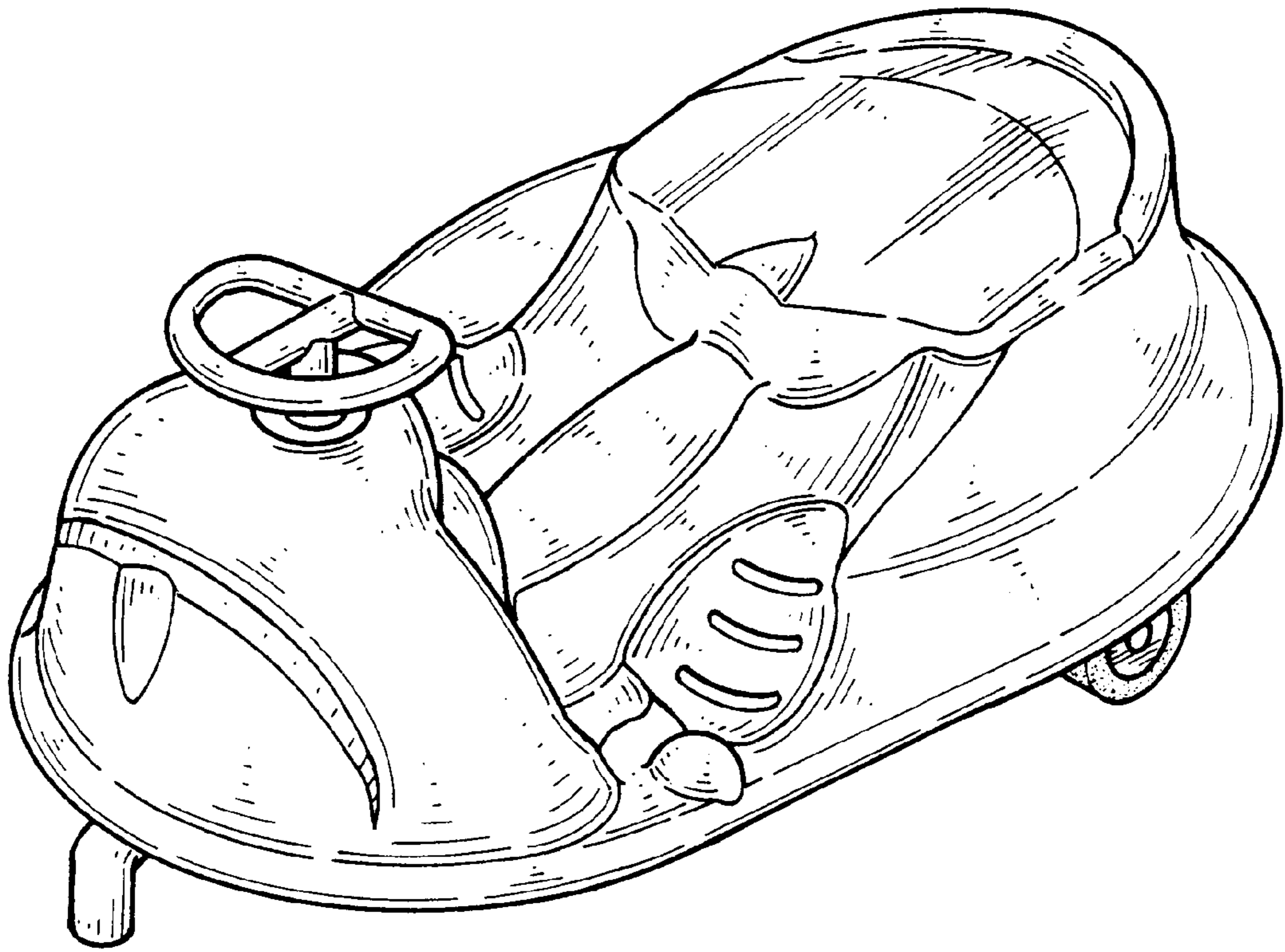


FIG. 1

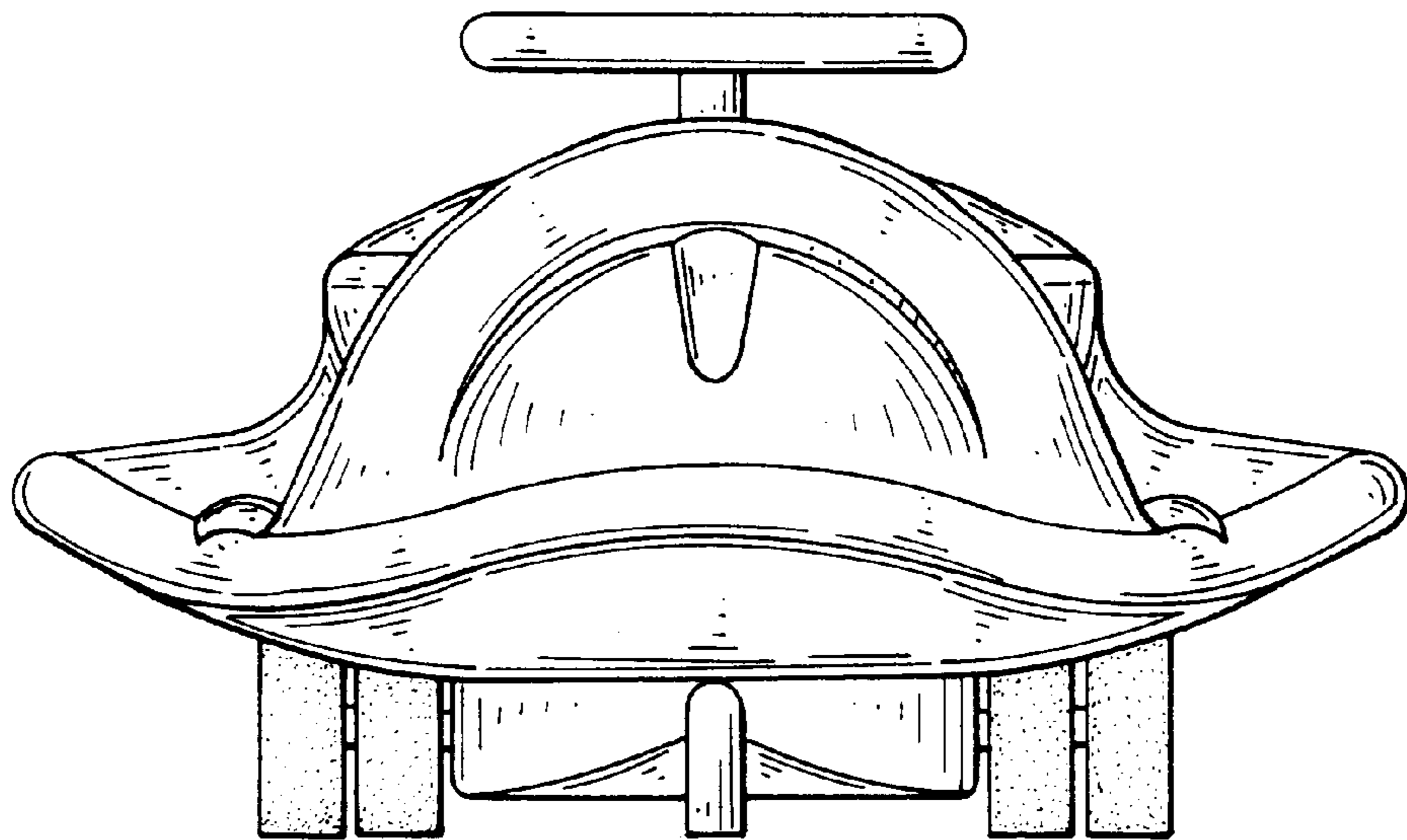


FIG. 2

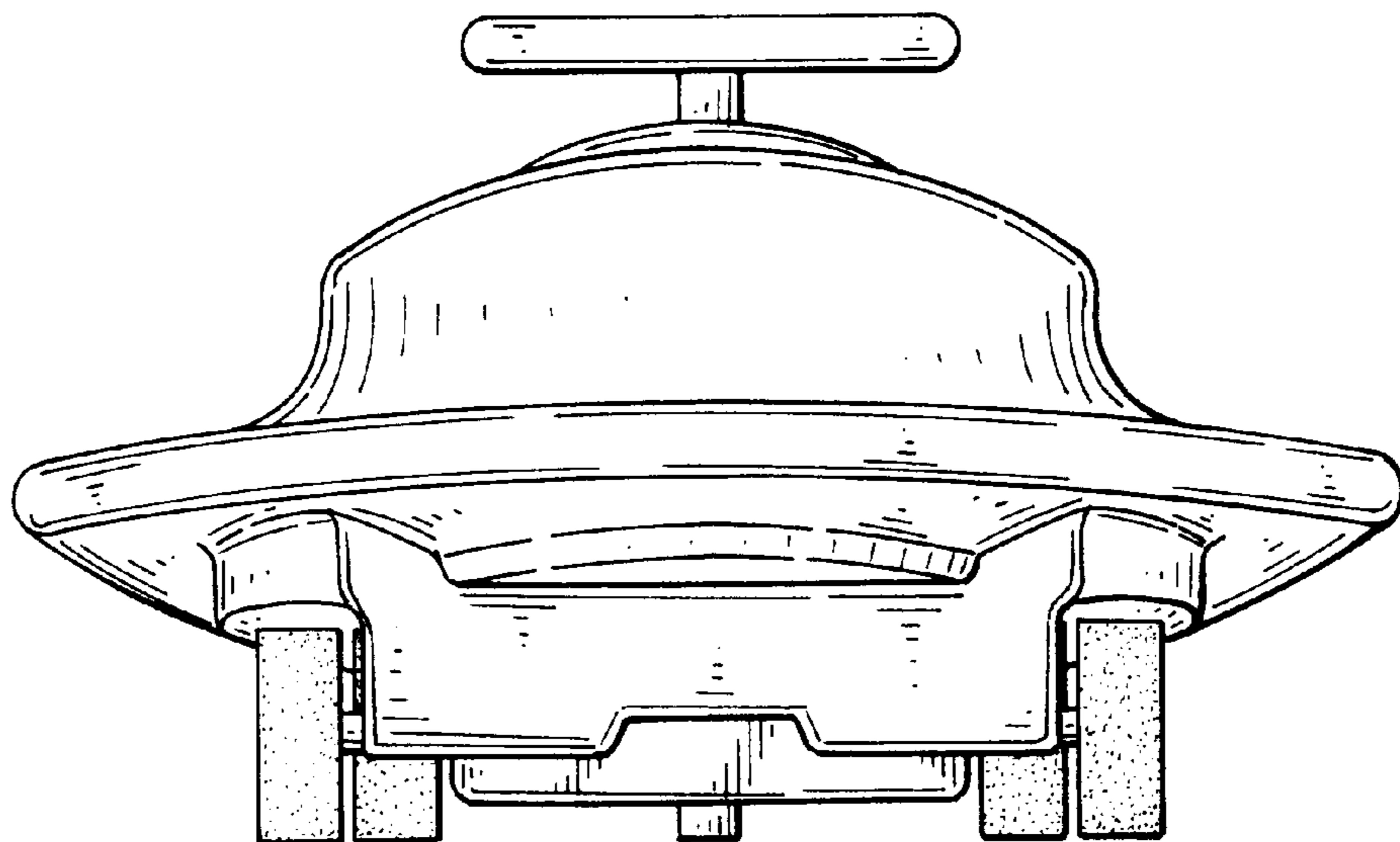


FIG. 3

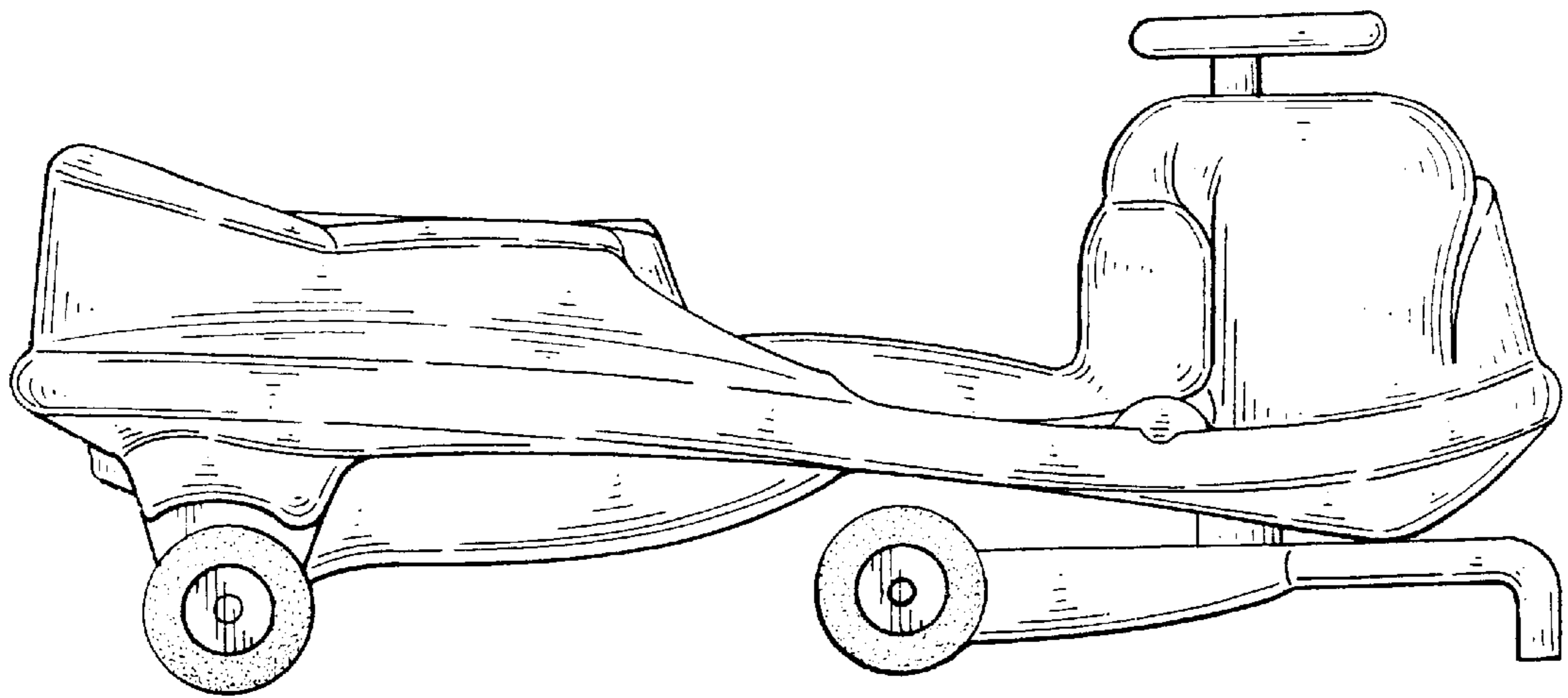


FIG. 4

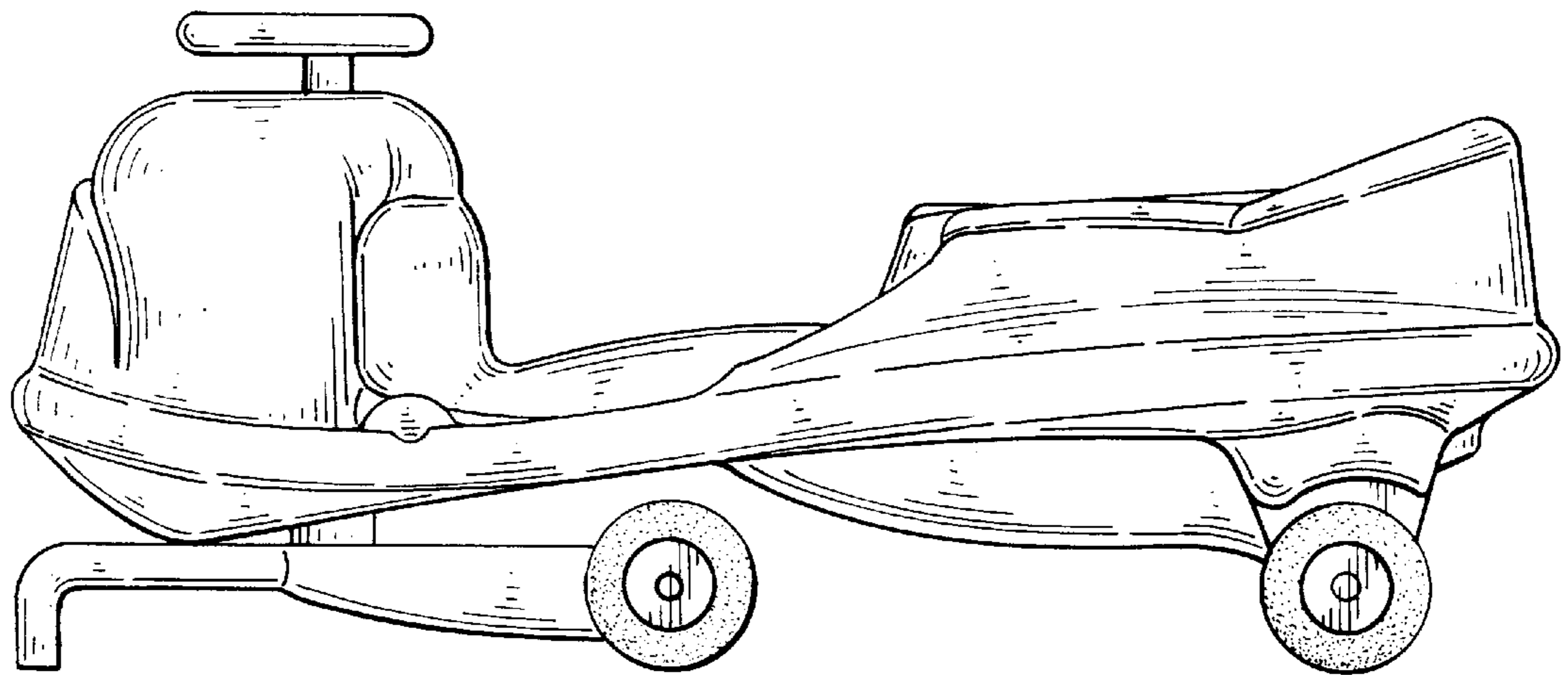


FIG. 5

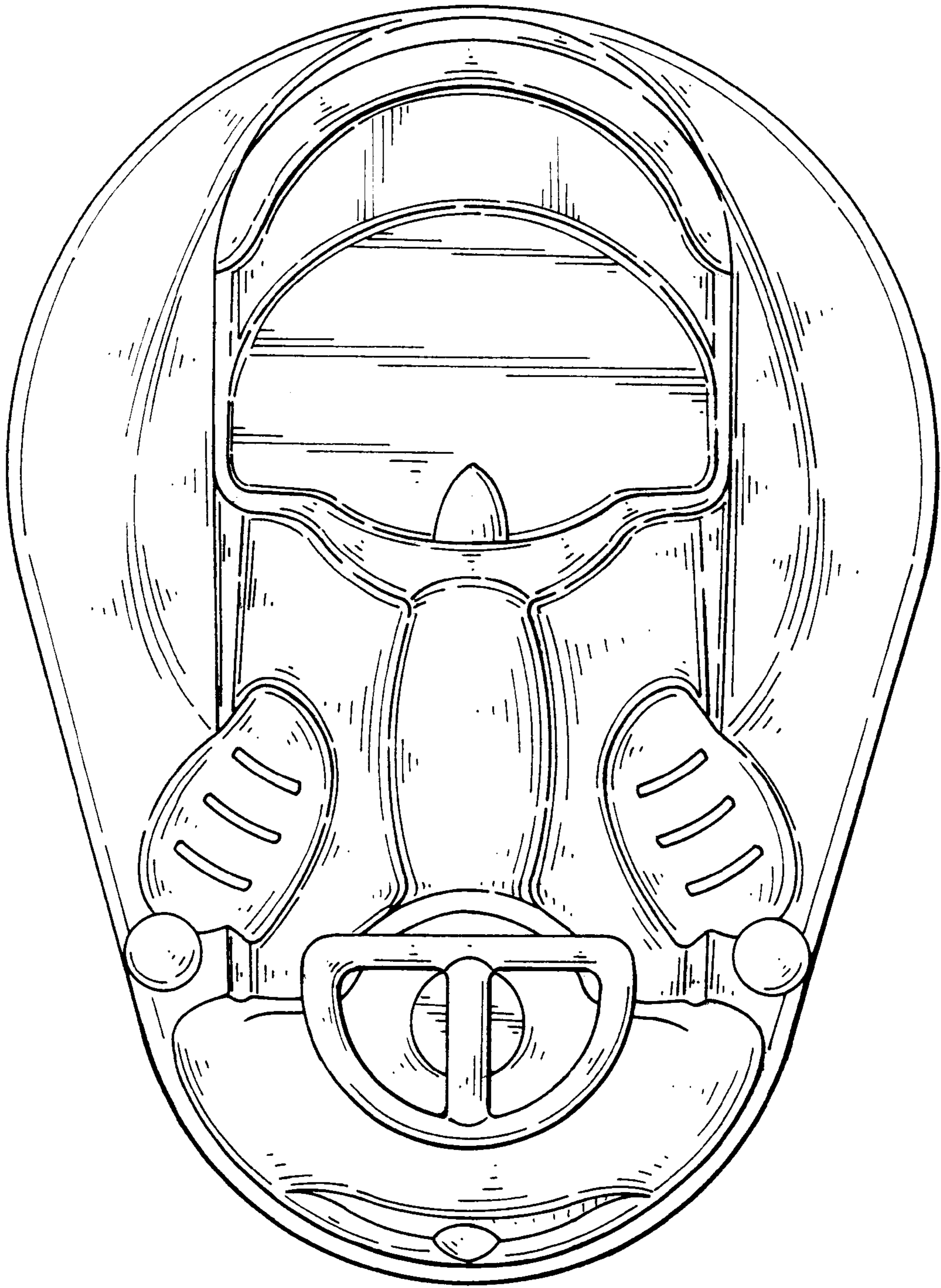


FIG. 6

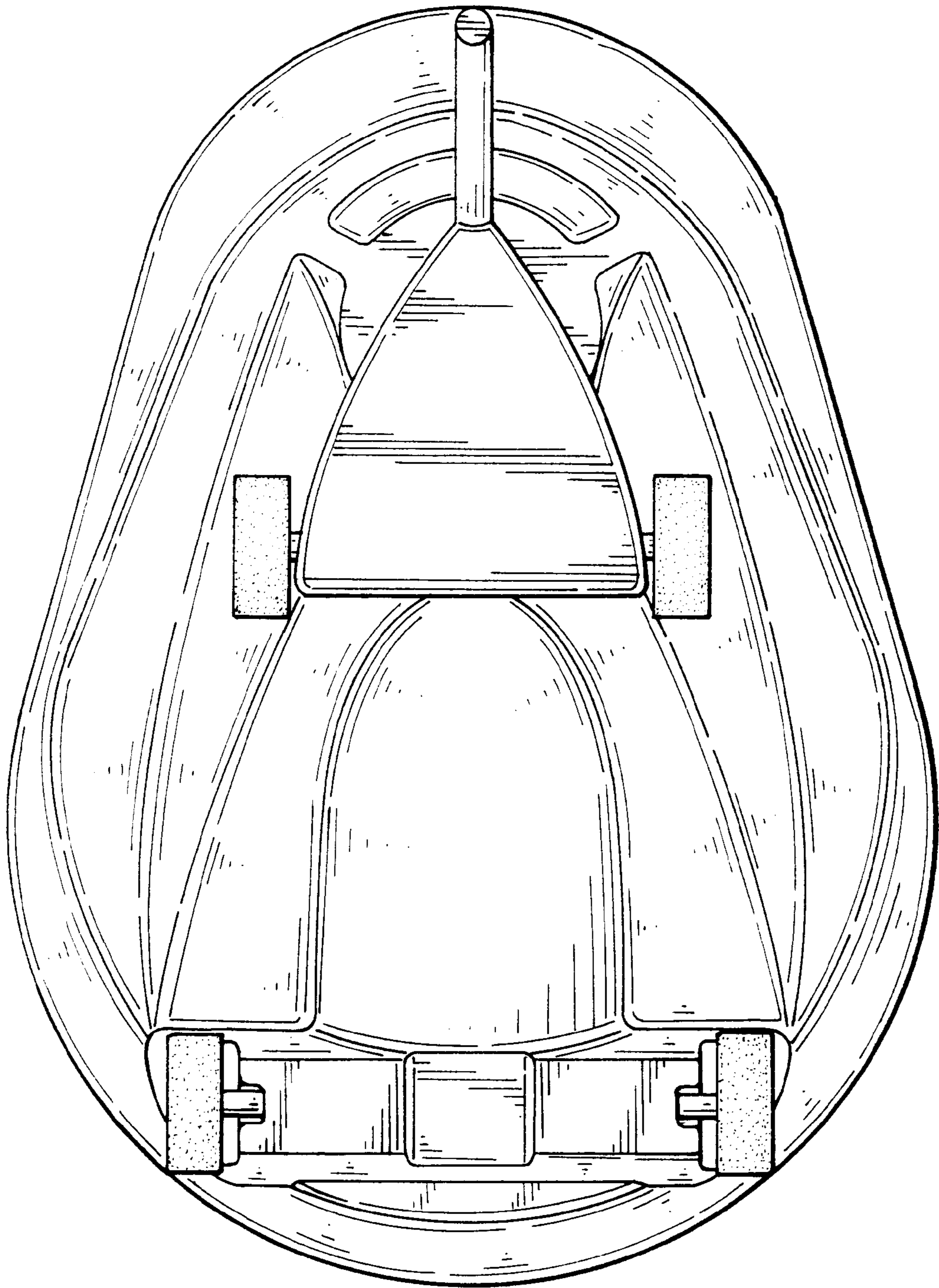


FIG. 7