



US00D453537S

(12) **United States Design Patent**  
**Shoptaugh**

(10) **Patent No.:** **US D453,537 S**

(45) **Date of Patent:** **\*\* Feb. 12, 2002**

(54) **BOARD FOR GAME**

D337,353 S \* 7/1993 Marsh, Sr. .... D21/342

(76) Inventor: **Philip LeRoy Shoptaugh**, 55 Stark  
Knoll Pl., Oakland, CA (US) 94618

\* cited by examiner

(\*\*) Term: **14 Years**

*Primary Examiner*—Sandra L. Morris  
(74) *Attorney, Agent, or Firm*—Hall, Priddy, Myers &  
Vande Sande

(21) Appl. No.: **29/132,613**

(57) **CLAIM**

(22) Filed: **Nov. 14, 2000**

The ornamental design for a board for game, as shown.

(51) **LOC (7) Cl.** ..... **21-01**

**DESCRIPTION**

(52) **U.S. Cl.** ..... **D21/342; D21/345**

(58) **Field of Search** ..... **D21/334-368;**  
**273/236-285**

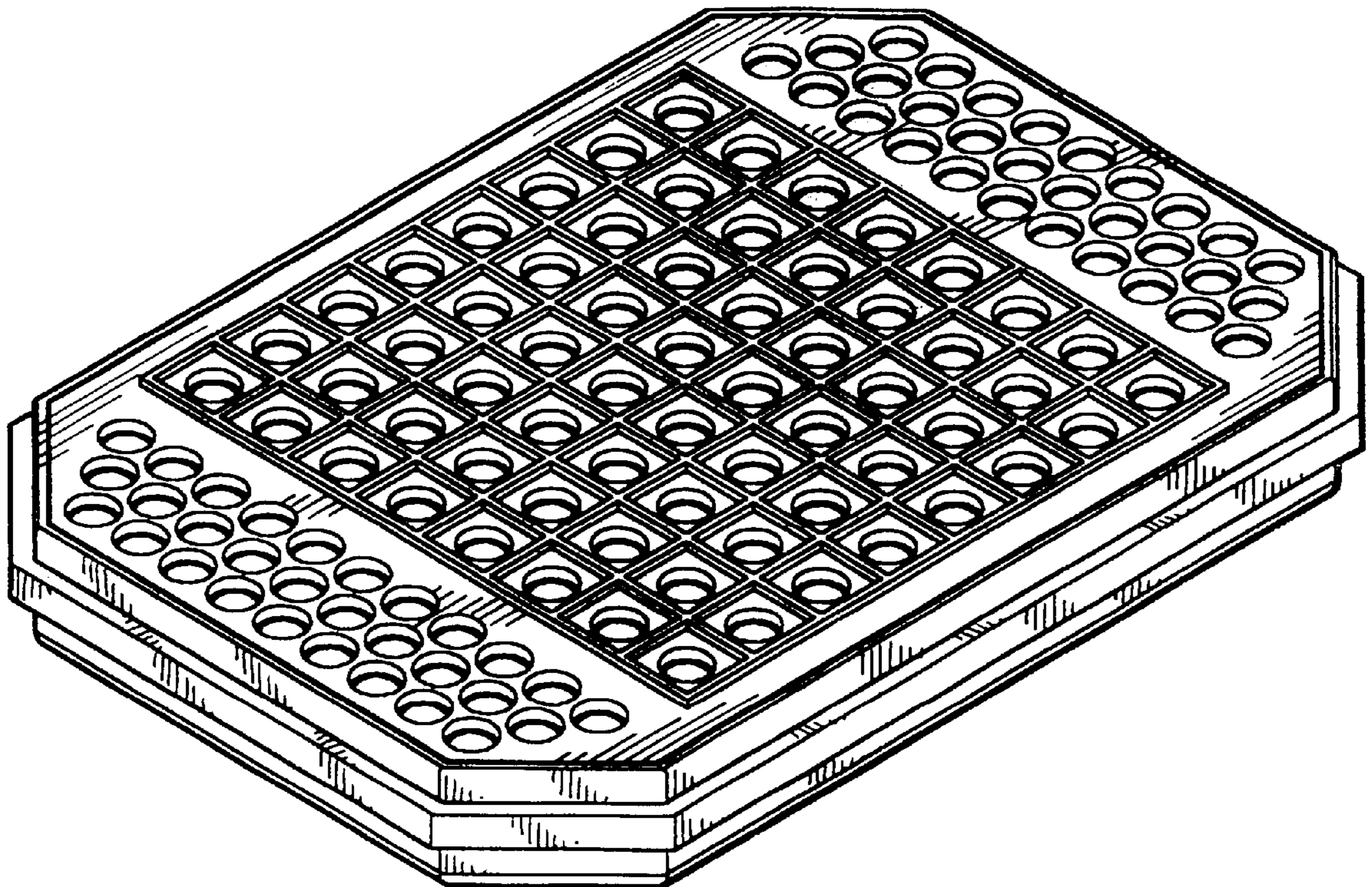
FIG. 1 is a front perspective view of a board for a game,  
showing my new design;  
FIG. 2 is a top plan view thereof;  
FIG. 3 is a right side view thereof;  
FIG. 4 is a front view thereof;  
FIG. 5 is a rear view thereof;  
FIG. 6 is a bottom plan view thereof; and,  
FIG. 7 is a left side view thereof.

(56) **References Cited**

**U.S. PATENT DOCUMENTS**

- 3,376,042 A \* 4/1968 Dunlap et al. .... 273/236
- D252,711 S \* 8/1979 White et al. .... D21/341
- D256,140 S \* 7/1980 Riley, Sr. .... D21/346
- 4,512,584 A \* 4/1985 Propsom ..... 273/282.1

**1 Claim, 3 Drawing Sheets**



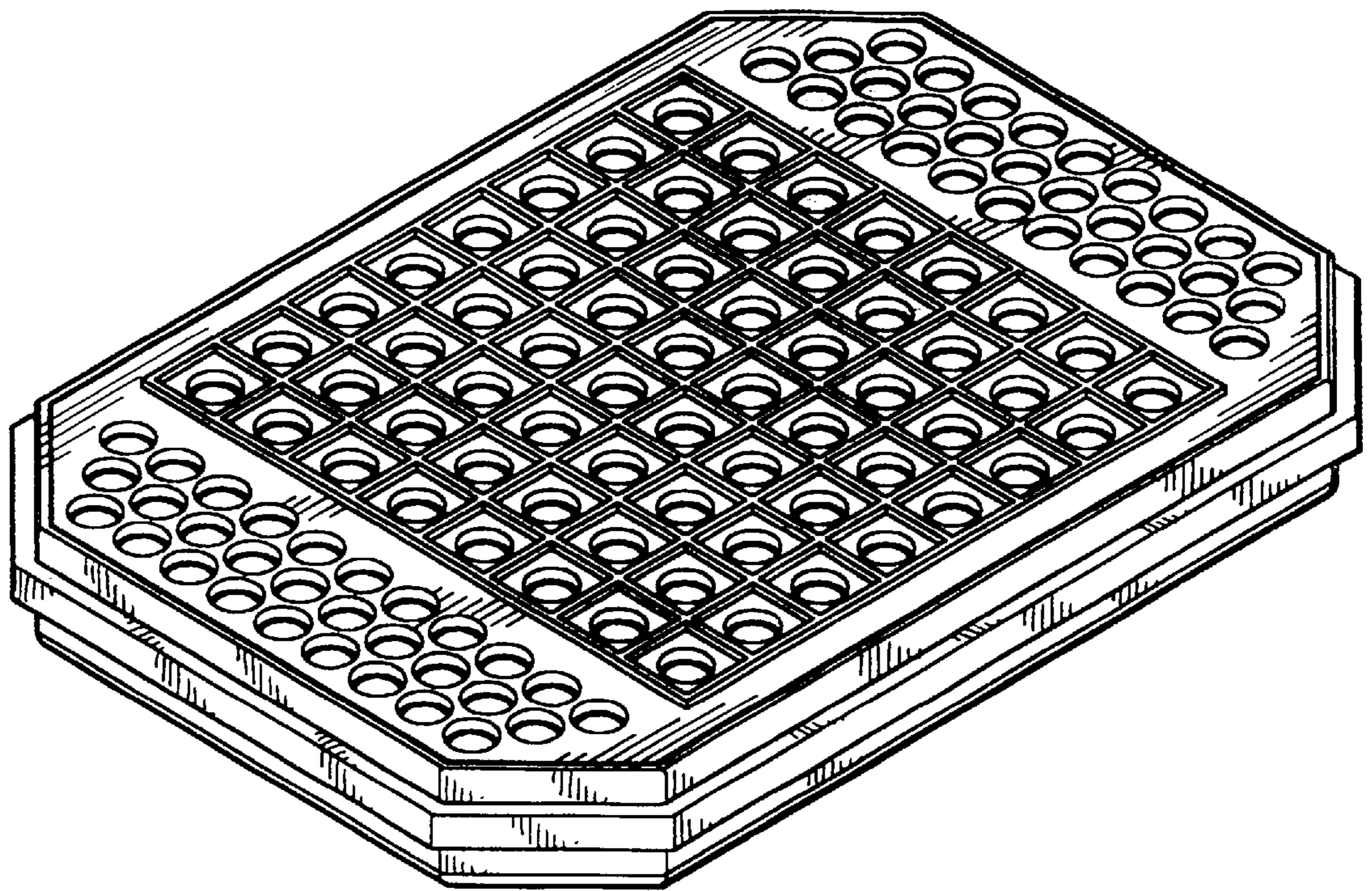


Fig 1

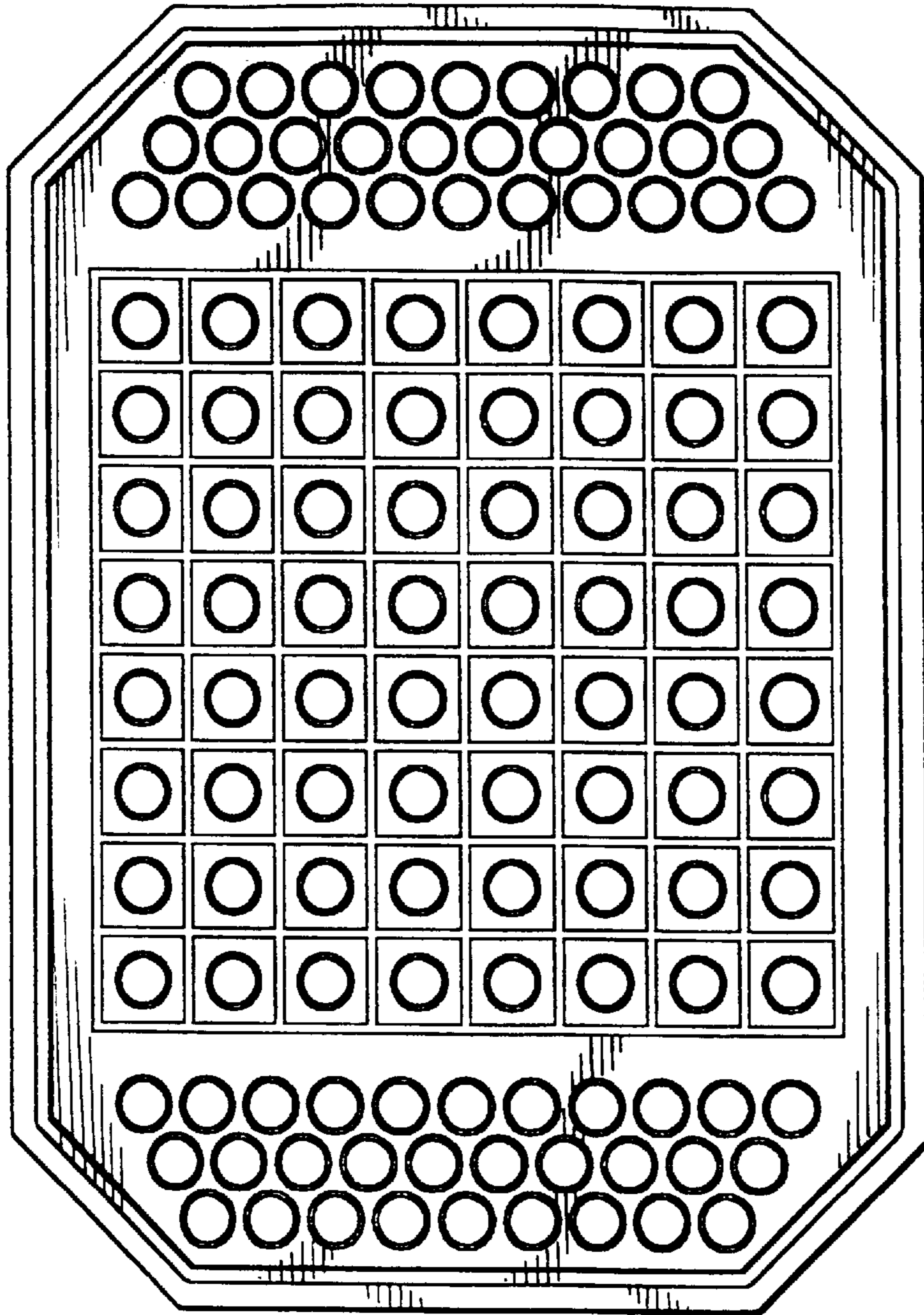


Fig 2

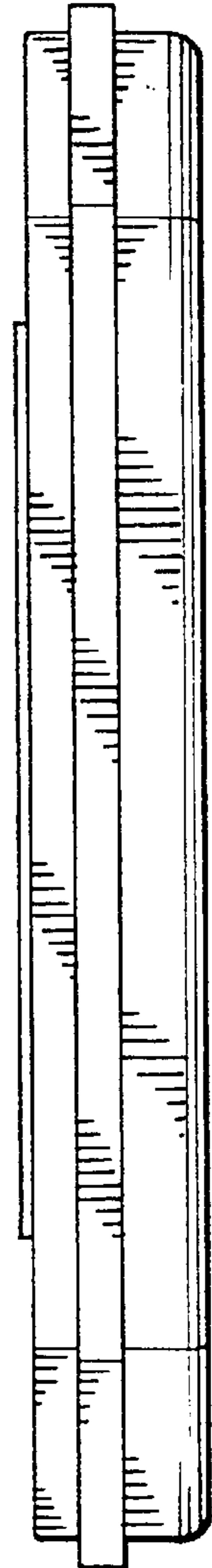


Fig 3

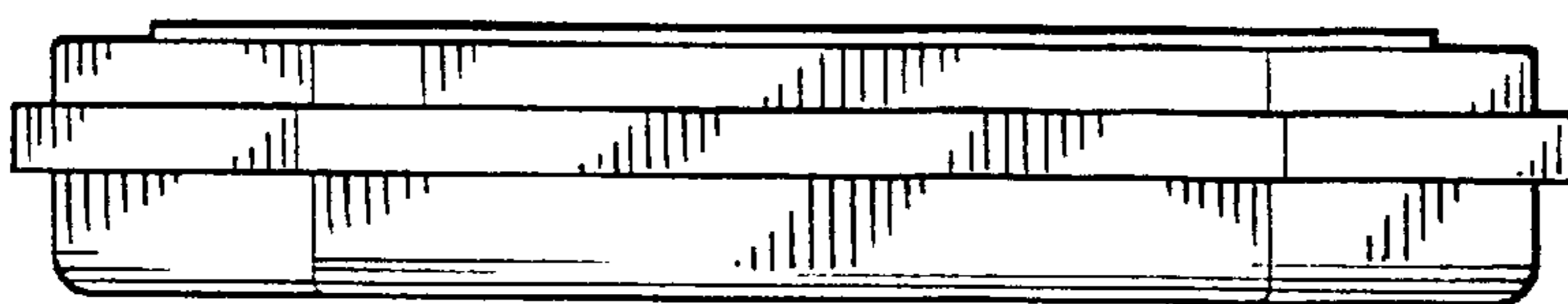


Fig 4

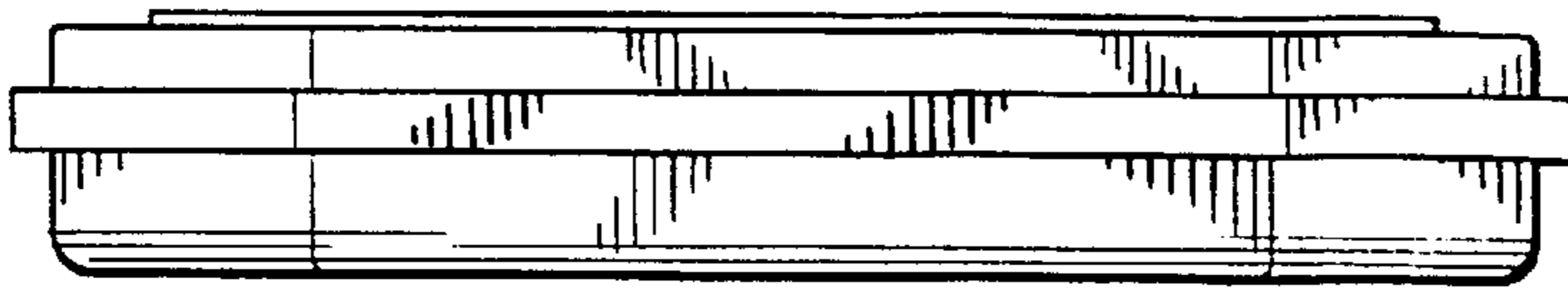


Fig 5

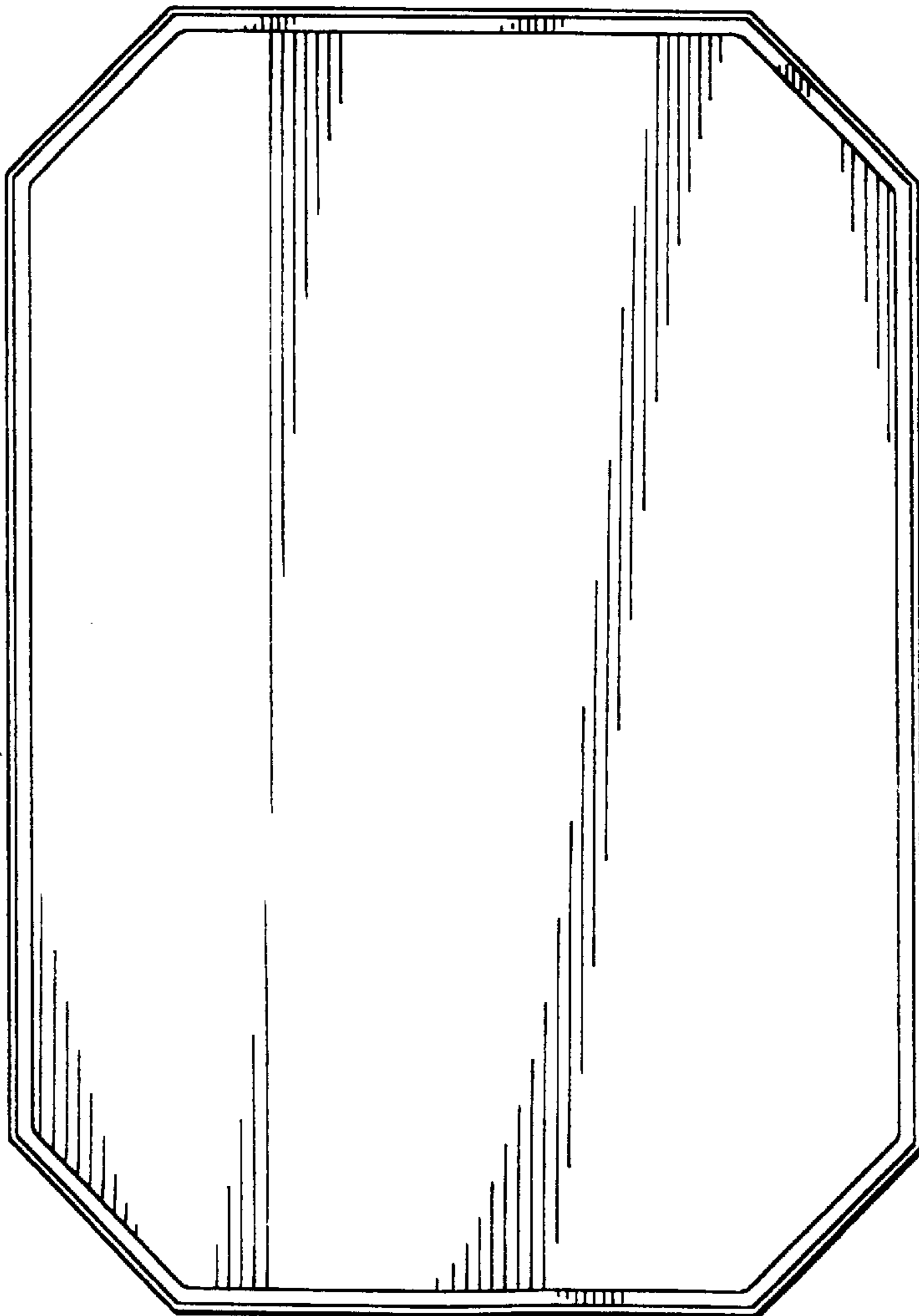


Fig 6

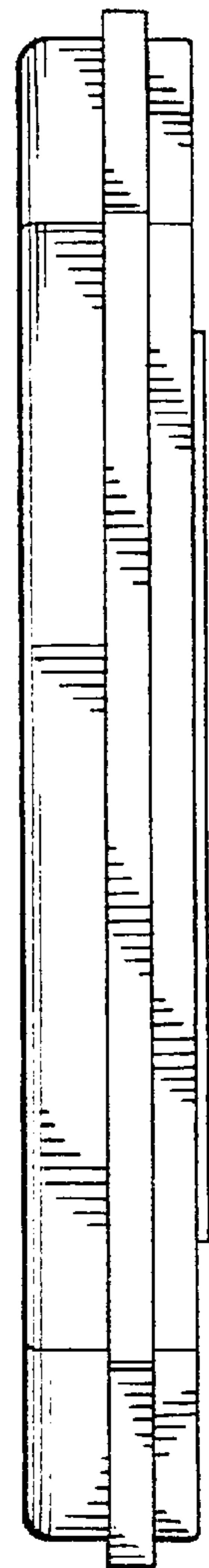


Fig 7