



US00D453534S

(12) **United States Design Patent**  
**Kosir**

(10) **Patent No.:** **US D453,534 S**

(45) **Date of Patent:** **\*\* Feb. 12, 2002**

(54) **FLUSH MOUNT SIGN HOLDER**

73, 77-81, 87-89, 91, 93-94, 100-104, 106, 124, 163-165, 177-179 (Circa Mar. 2000).

(75) **Inventor:** **Joseph P. Kosir**, Euclid, OH (US)

\* cited by examiner

(73) **Assignee:** **Fasteners for Retail, Inc.**, Cleveland, OH (US)

*Primary Examiner*—Marcus A. Jackson

(\*\*) **Term:** **14 Years**

(74) *Attorney, Agent, or Firm*—Fay, Sharpe, Fagan, Minnich & McKee, LLP

(21) **Appl. No.:** **29/138,932**

(22) **Filed:** **Mar. 22, 2001**

(57) **CLAIM**

(51) **LOC (7) Cl.** ..... **20-02**

The ornamental design for a flush mount sign holder, as shown and described.

(52) **U.S. Cl.** ..... **D20/43**

(58) **Field of Search** ..... D20/10, 40, 42, D20/43, 44; 40/584, 606, 607, 647, 649, 652, 653, 666, 661

**DESCRIPTION**

(56) **References Cited**

FIG. 1 is a perspective view of a flush mount sign holder showing my new design;

**U.S. PATENT DOCUMENTS**

FIG. 2 is a right end elevational view thereof, with a left end elevational view being a mirror image thereof;

- D268,849 S \* 5/1983 Shuman ..... D20/43
- 4,557,064 A 12/1985 Thompson
- D389,259 S \* 1/1998 Tichy et al. .... D20/43

FIG. 3 is a top plan view thereof;

FIG. 4 is a rear elevational view thereof;

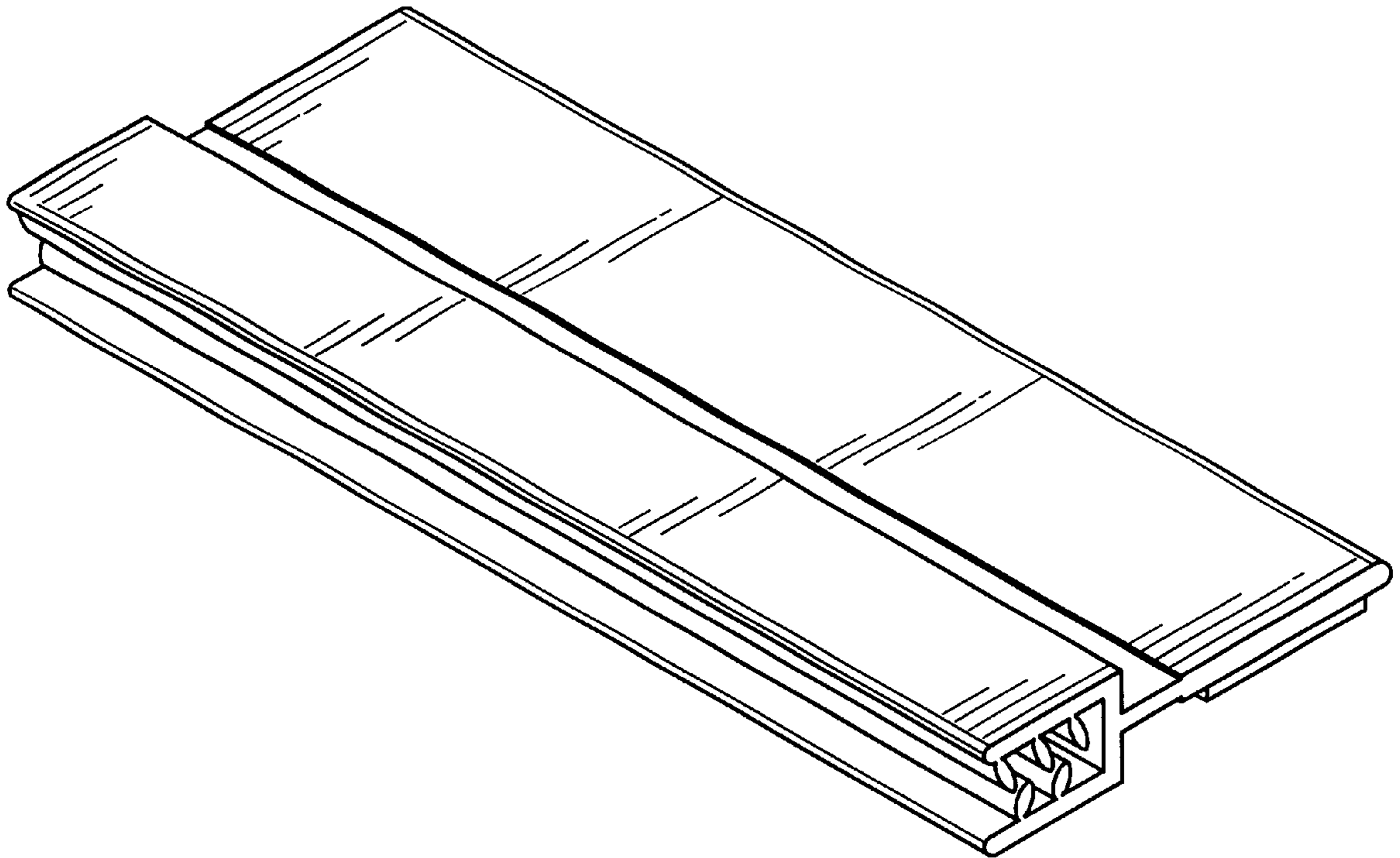
**OTHER PUBLICATIONS**

Fasteners For Retail Brochure entitled "FFR Yellow Pages—The World's Largest Resource For Display Accessories and Custom Solutions", Cover, pp. 17, 38-40, 59, 61,

FIG. 5 is a bottom plan view thereof; and,

FIG. 6 is a front elevational view thereof.

**1 Claim, 2 Drawing Sheets**



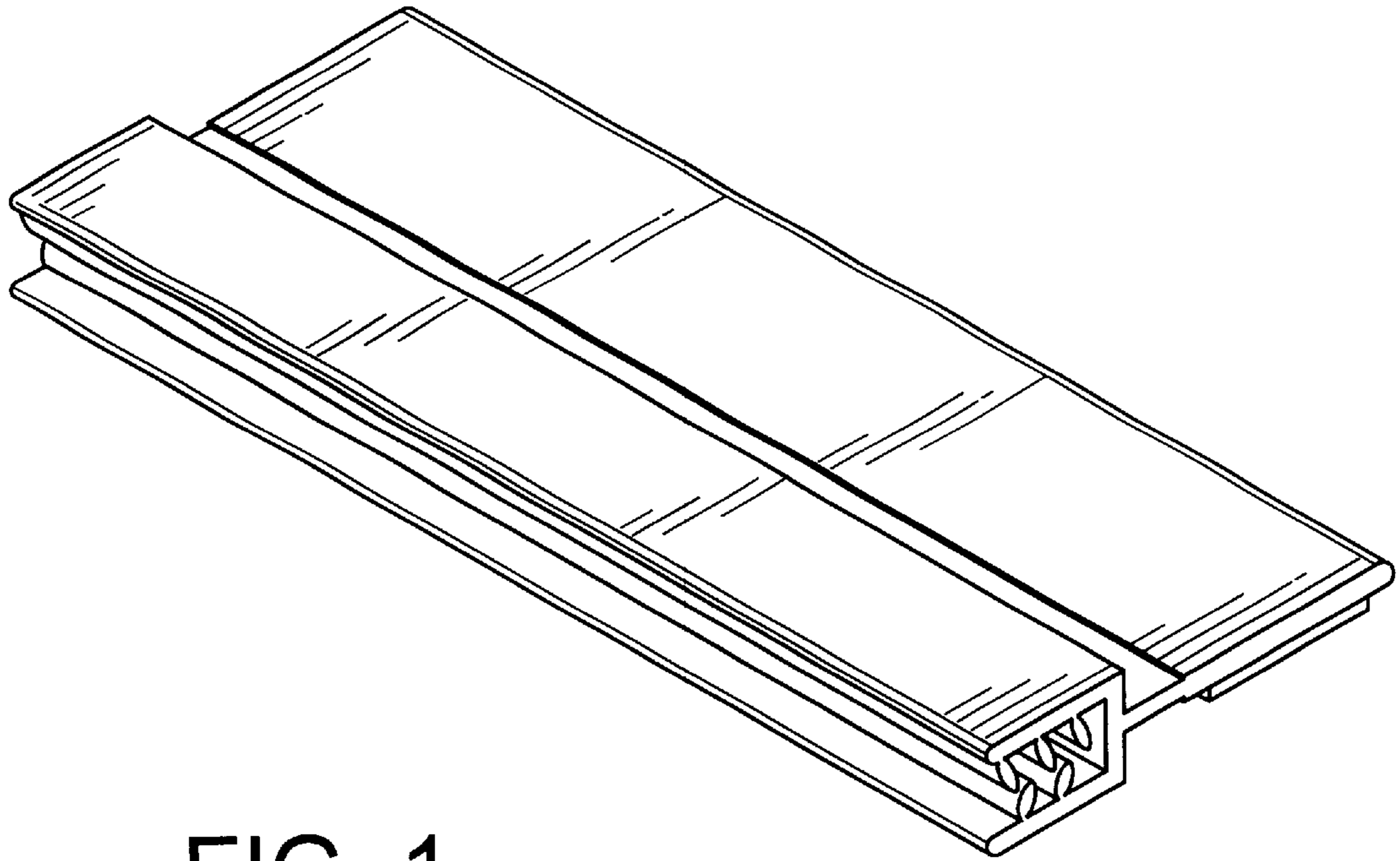


FIG. 1

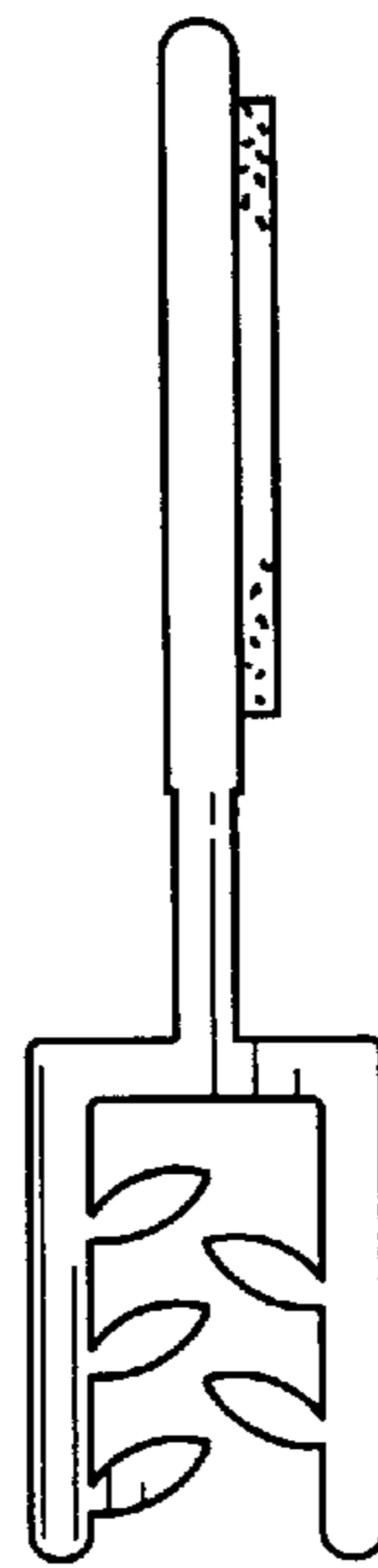


FIG. 2

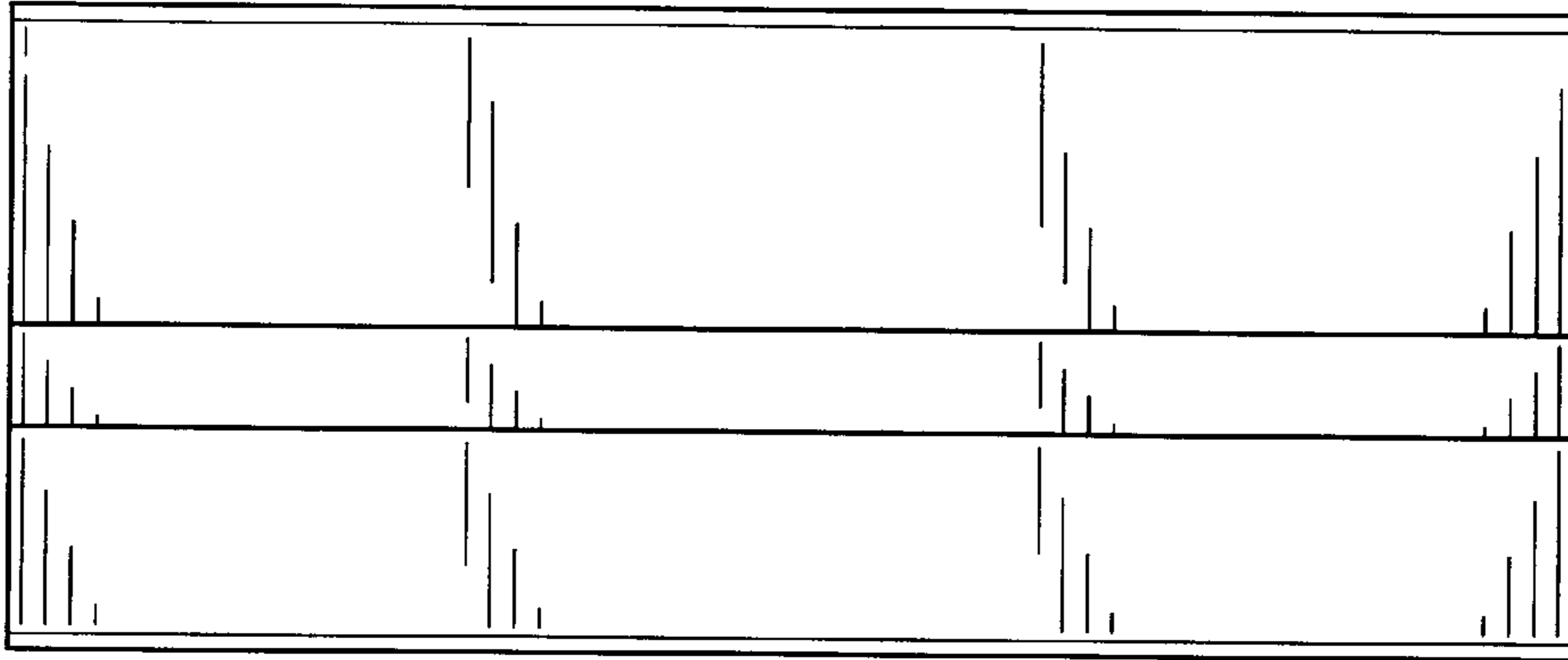


FIG. 3

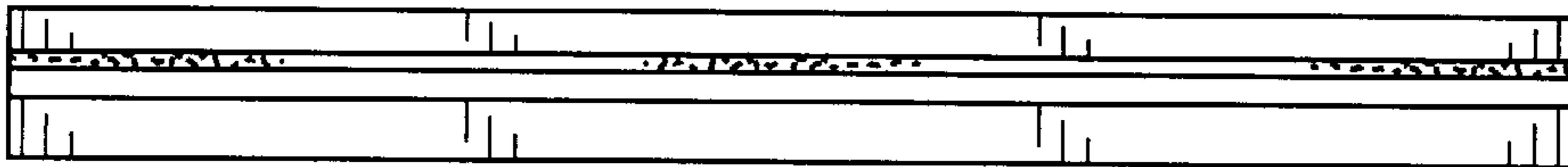


FIG. 4

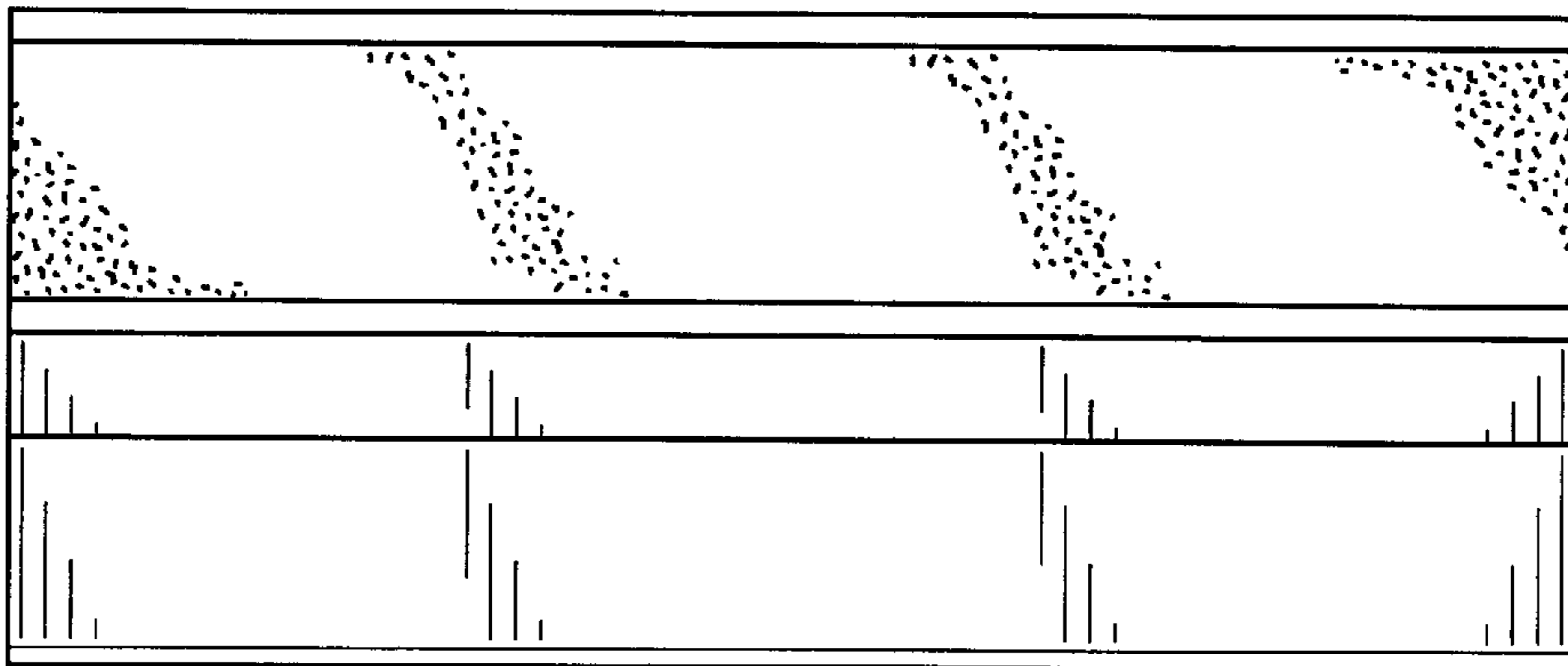


FIG. 5

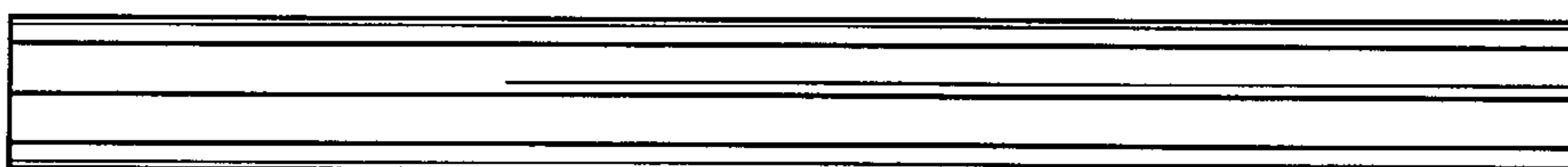


FIG. 6