



US00D453526S

(12) **United States Design Patent**  
**Chang**

(10) **Patent No.:** **US D453,526 S**

(45) **Date of Patent:** **\*\* Feb. 12, 2002**

(54) **WOOD PLANING MACHINE**

D442,610 S \* 5/2001 Chang ..... D15/127

(75) **Inventor:** **Chiu-Tsun Chang**, Taichung (TW)

\* cited by examiner

(73) **Assignee:** **P + F Brother Industrial Corporation**,  
Taichung (TW)

*Primary Examiner*—Antoine Duval Davis  
(74) *Attorney, Agent, or Firm*—Baker Botts LLP

(\*\*) **Term:** **14 Years**

(57) **CLAIM**

(21) **Appl. No.:** **29/138,429**

The ornamental design for wood planing machine, as shown and described.

(22) **Filed:** **Mar. 13, 2001**

**DESCRIPTION**

(51) **LOC (7) Cl.** ..... **15-09**

(52) **U.S. Cl.** ..... **D15/127**

(58) **Field of Search** ..... D15/127; 144/114.1,  
144/116, 117.1, 129, 130, 124-127 A, 154.5,  
218, 225, 228, 230, 242.5, 243.1, 246.1,  
250.2, 253.2, 253.8, 253.5, 252.1, 375;  
408/115 R, 241 S; 409/175, 181

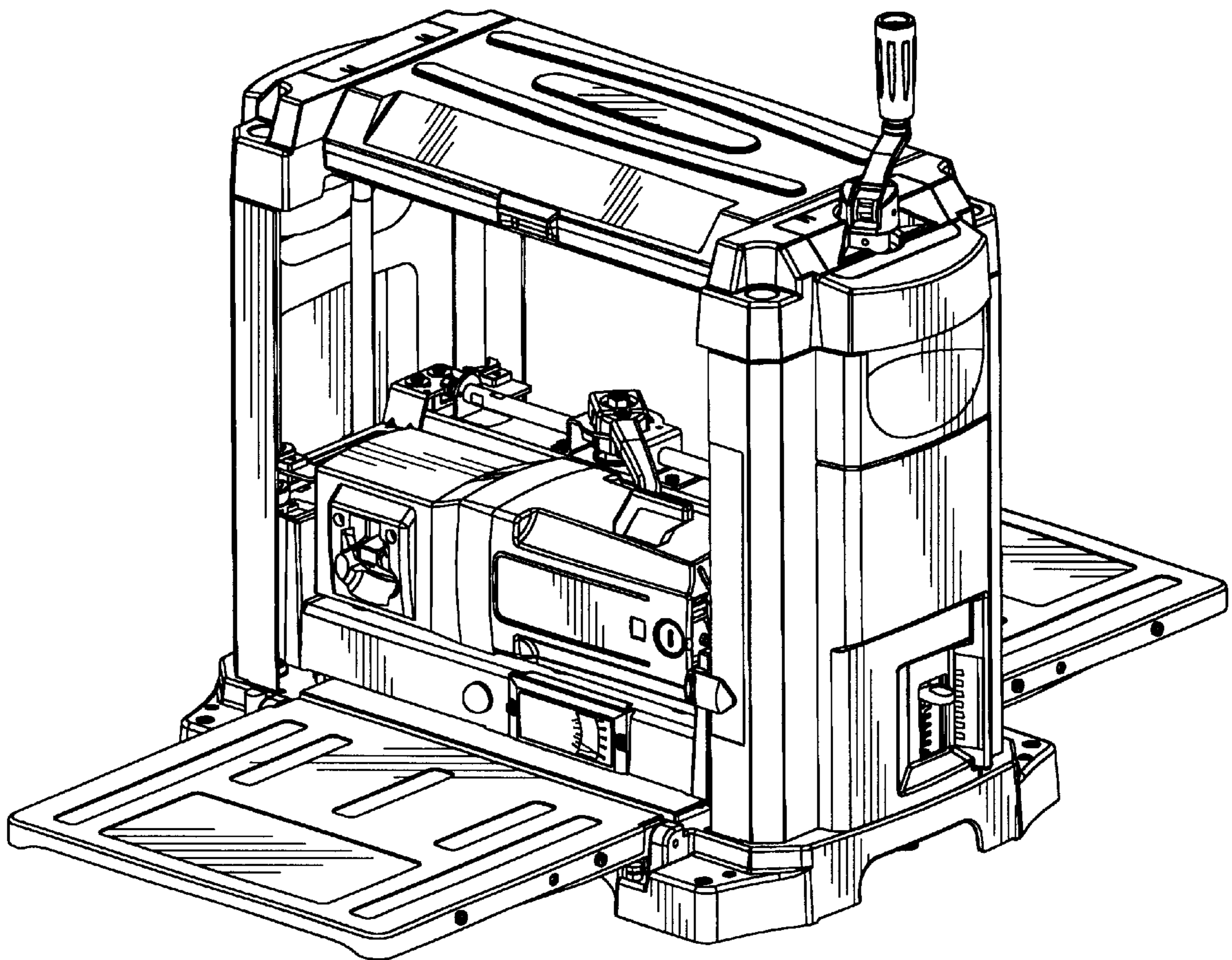
FIG. 1 is a perspective view of wood planing machine showing my new design;  
FIG. 2 is a front elevational view thereof;  
FIG. 3 is a rear elevational view thereof;  
FIG. 4 is a left side elevational view thereof;  
FIG. 5 is a right side elevational view thereof;  
FIG. 6 is a top plan view thereof; and,  
FIG. 7 is a bottom plan view thereof.

(56) **References Cited**

**U.S. PATENT DOCUMENTS**

D397,122 S \* 8/1998 Welsh ..... D15/127

**1 Claim, 7 Drawing Sheets**



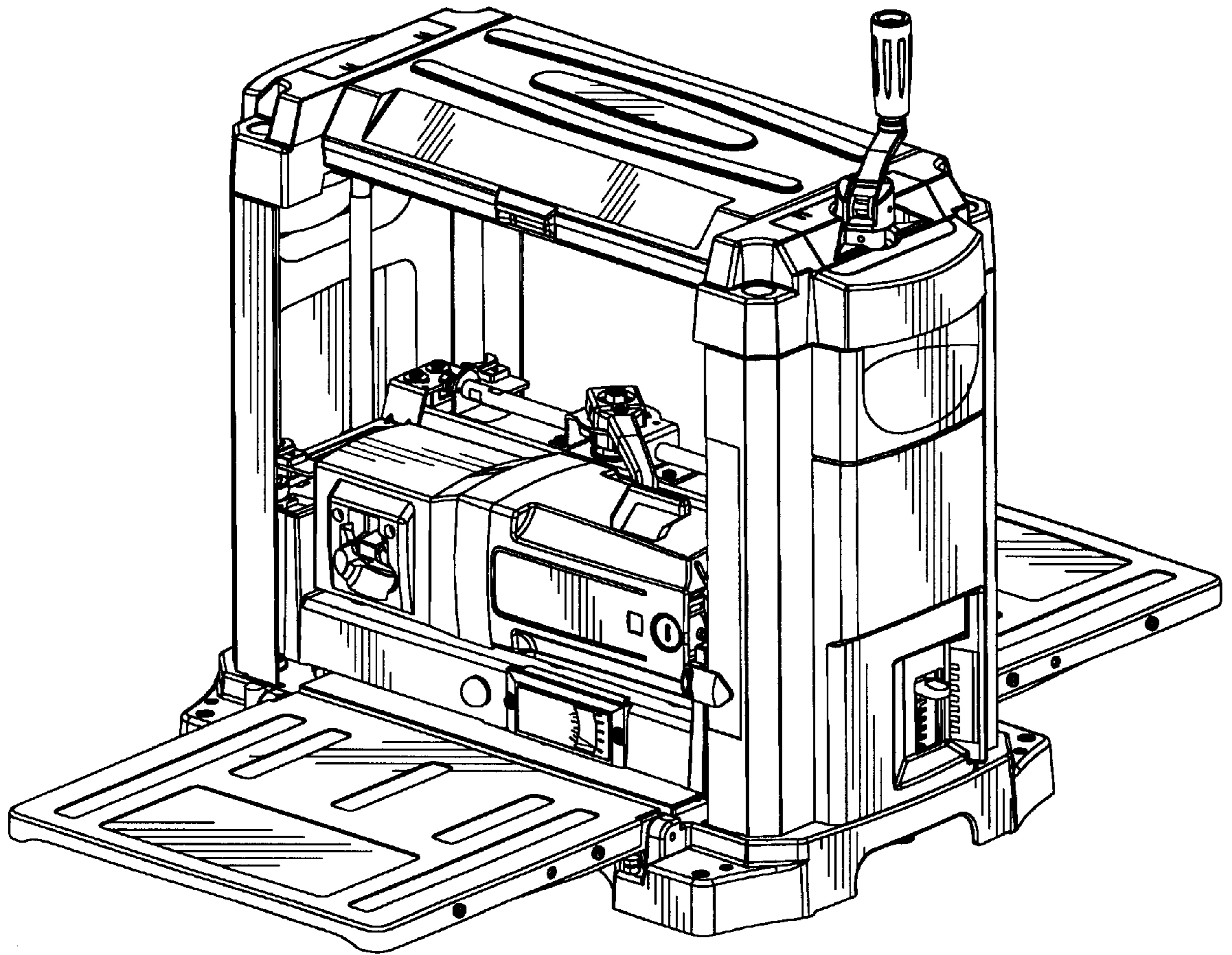


FIG. 1

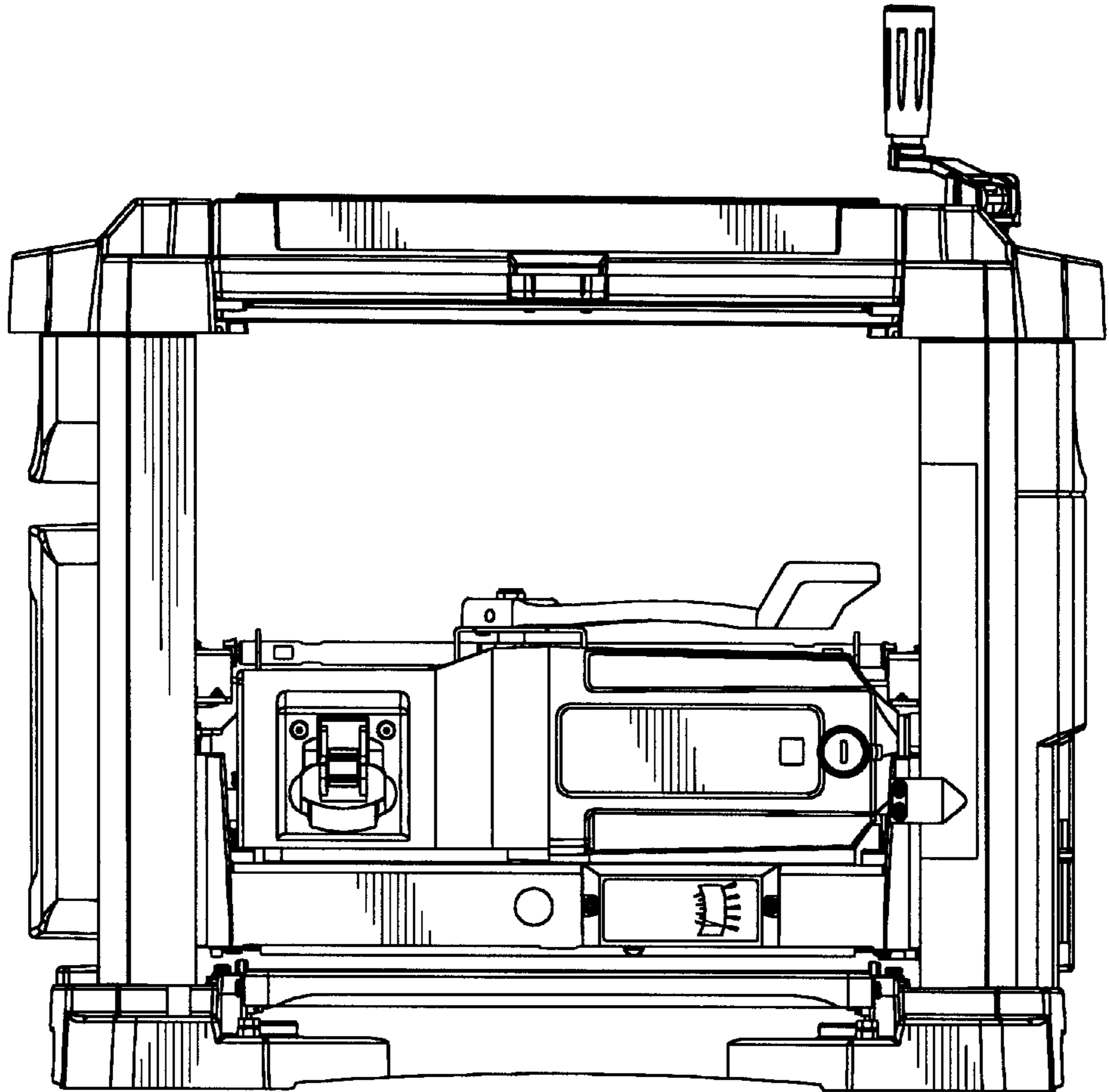


FIG. 2

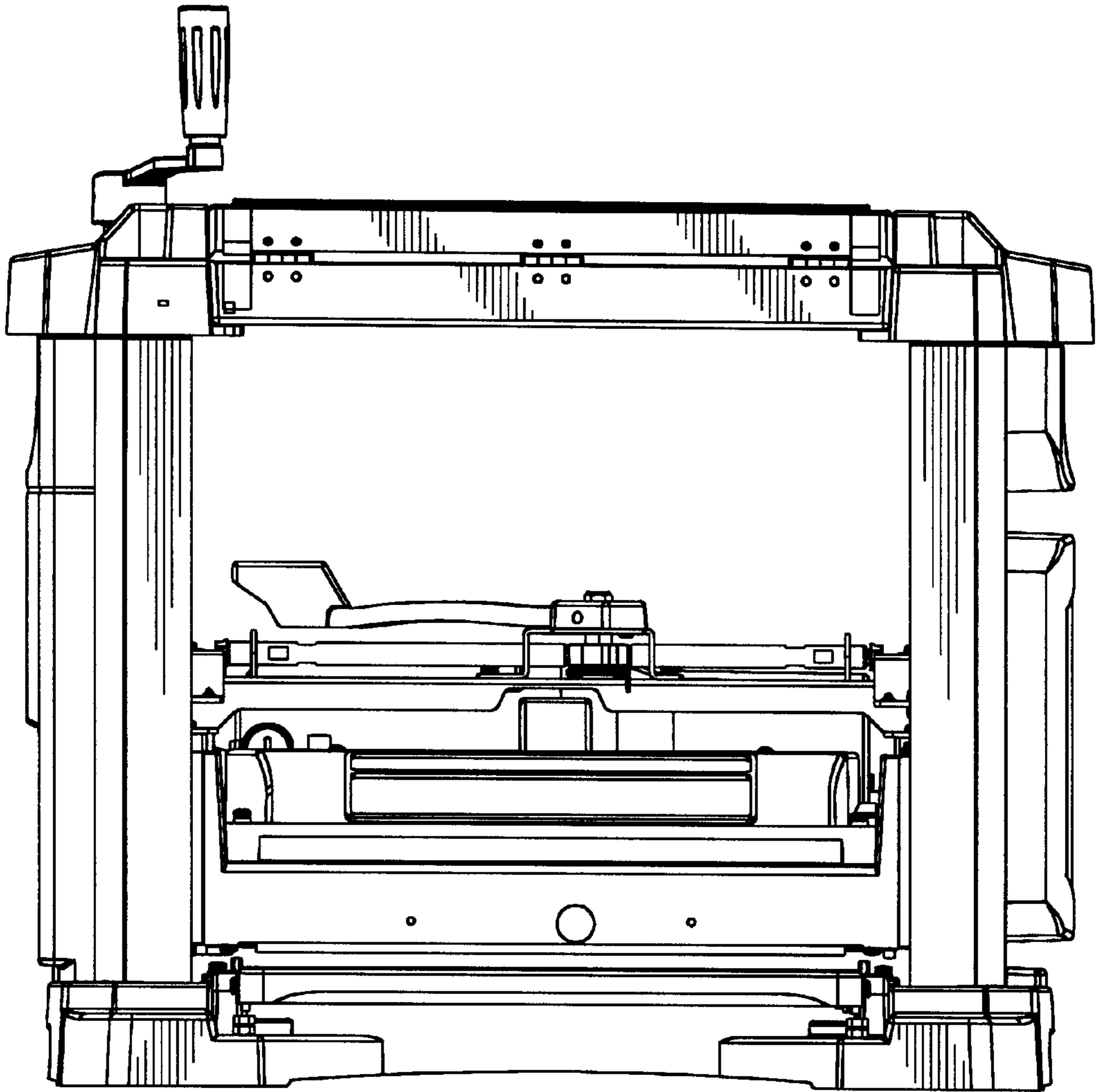


FIG. 3

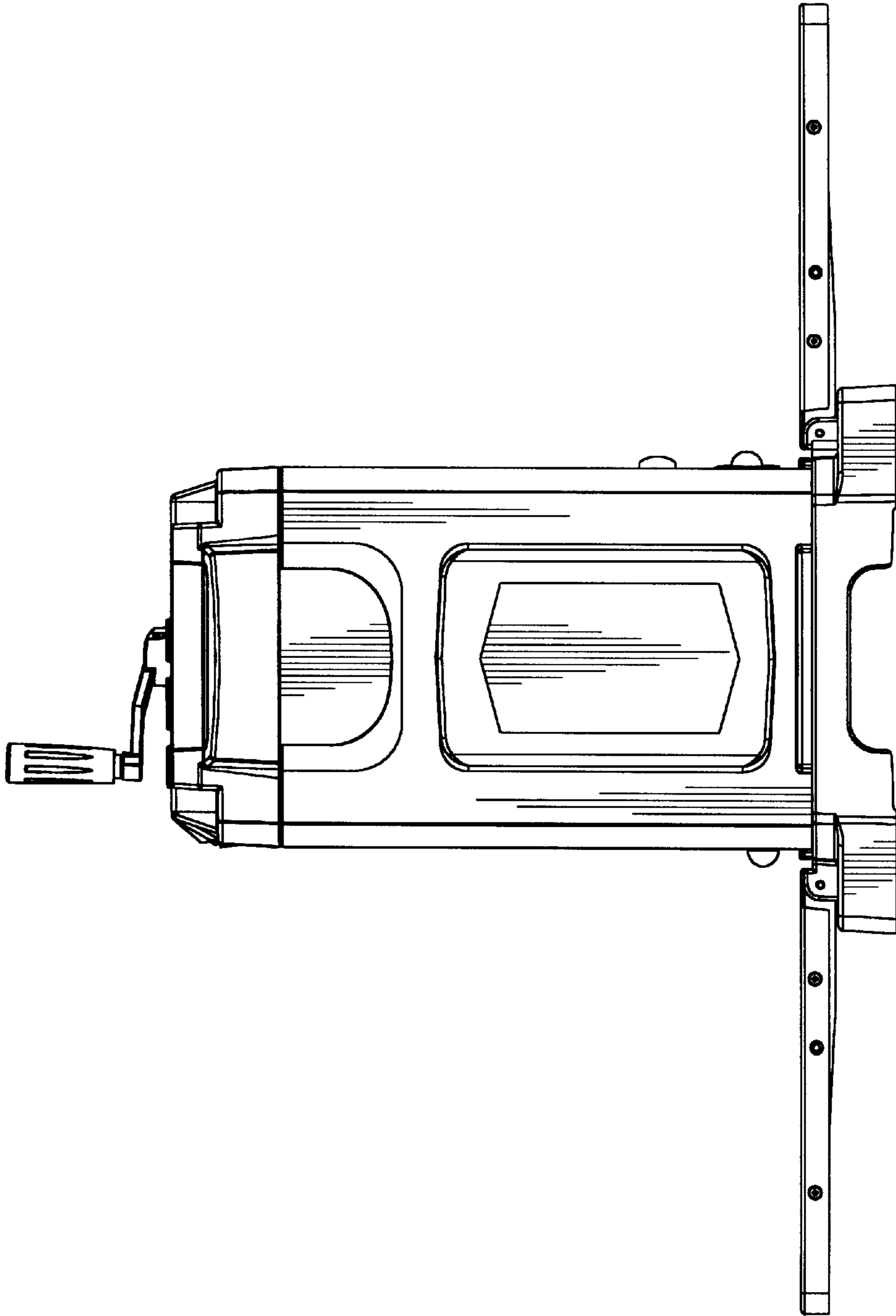


FIG. 4

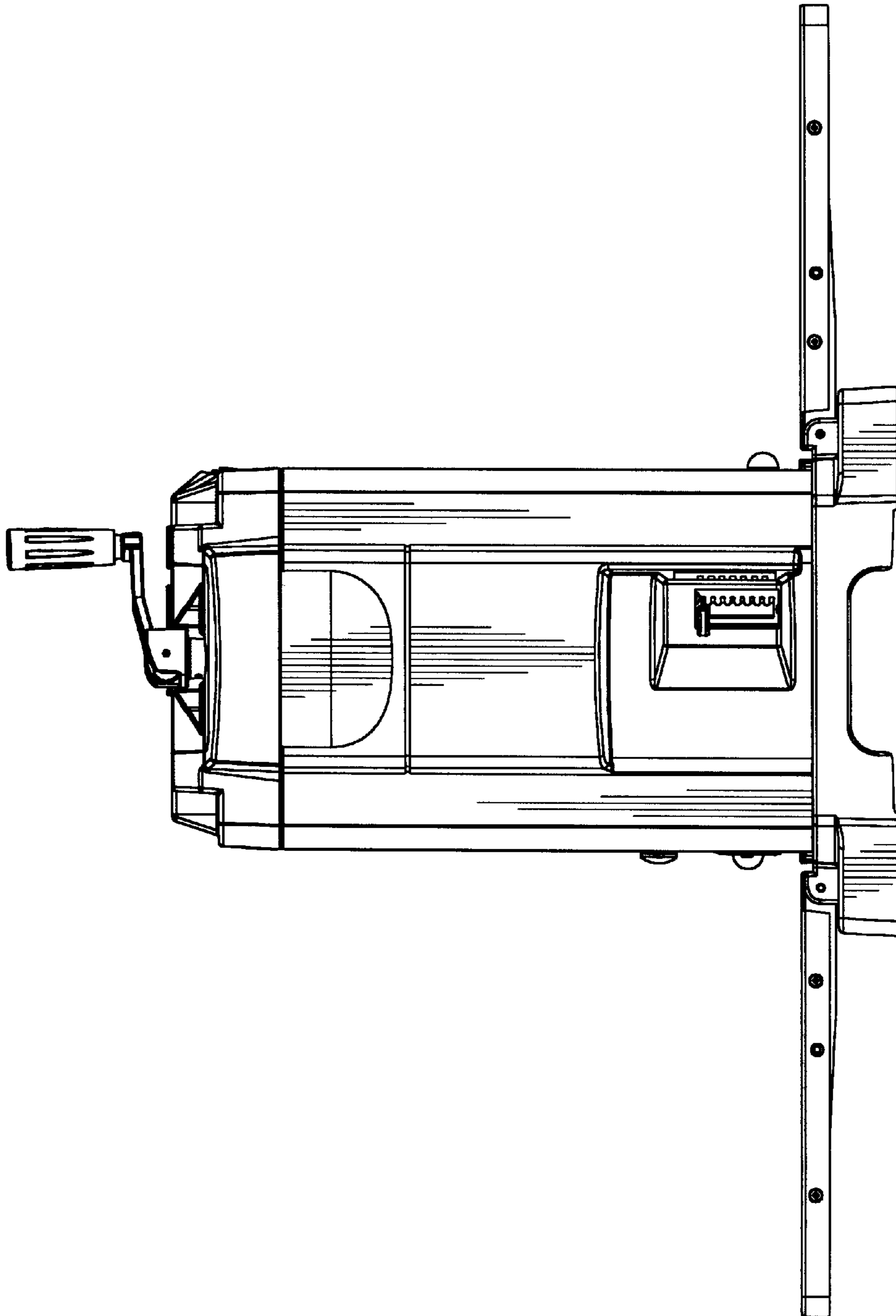


FIG. 5

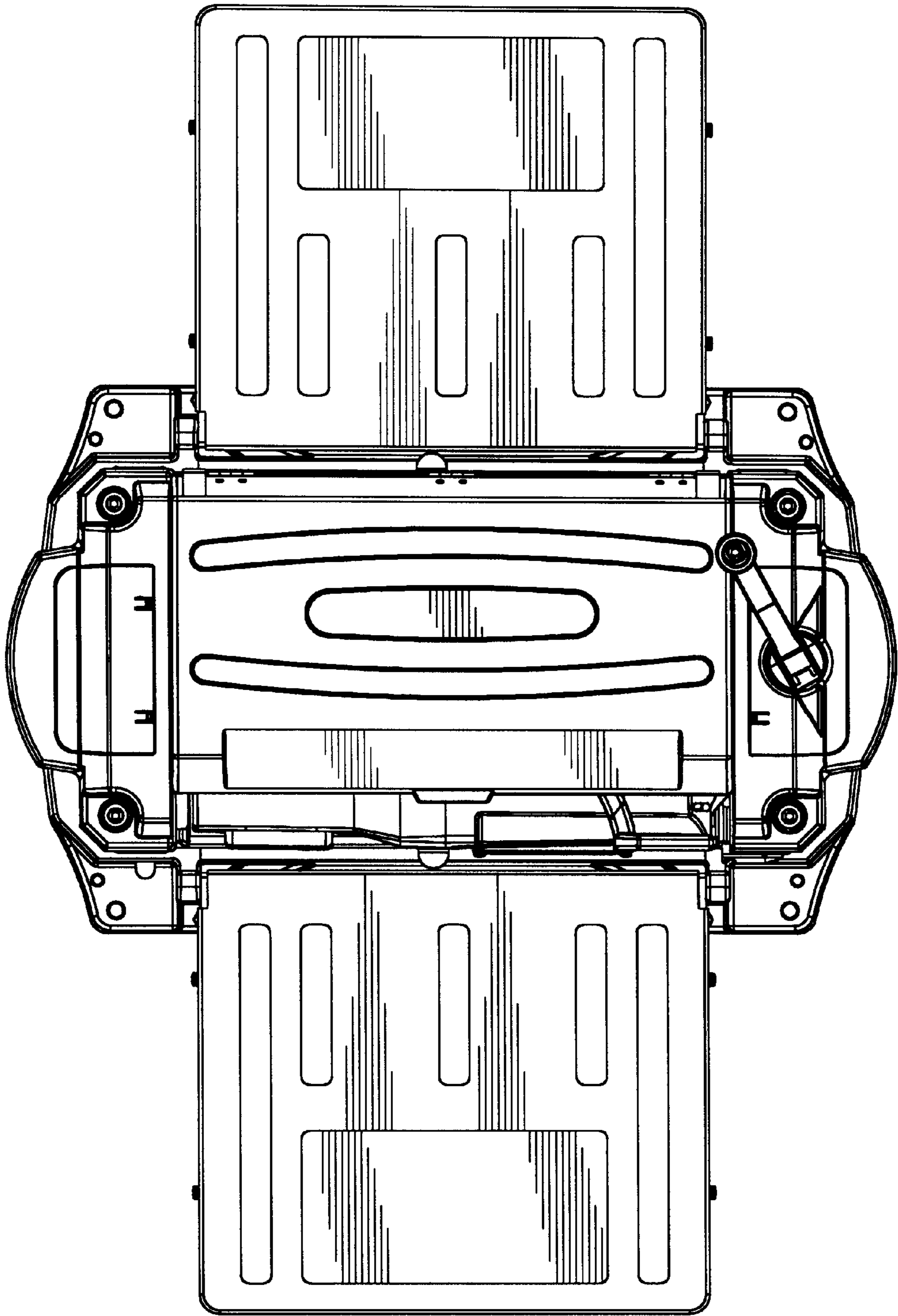


FIG. 6

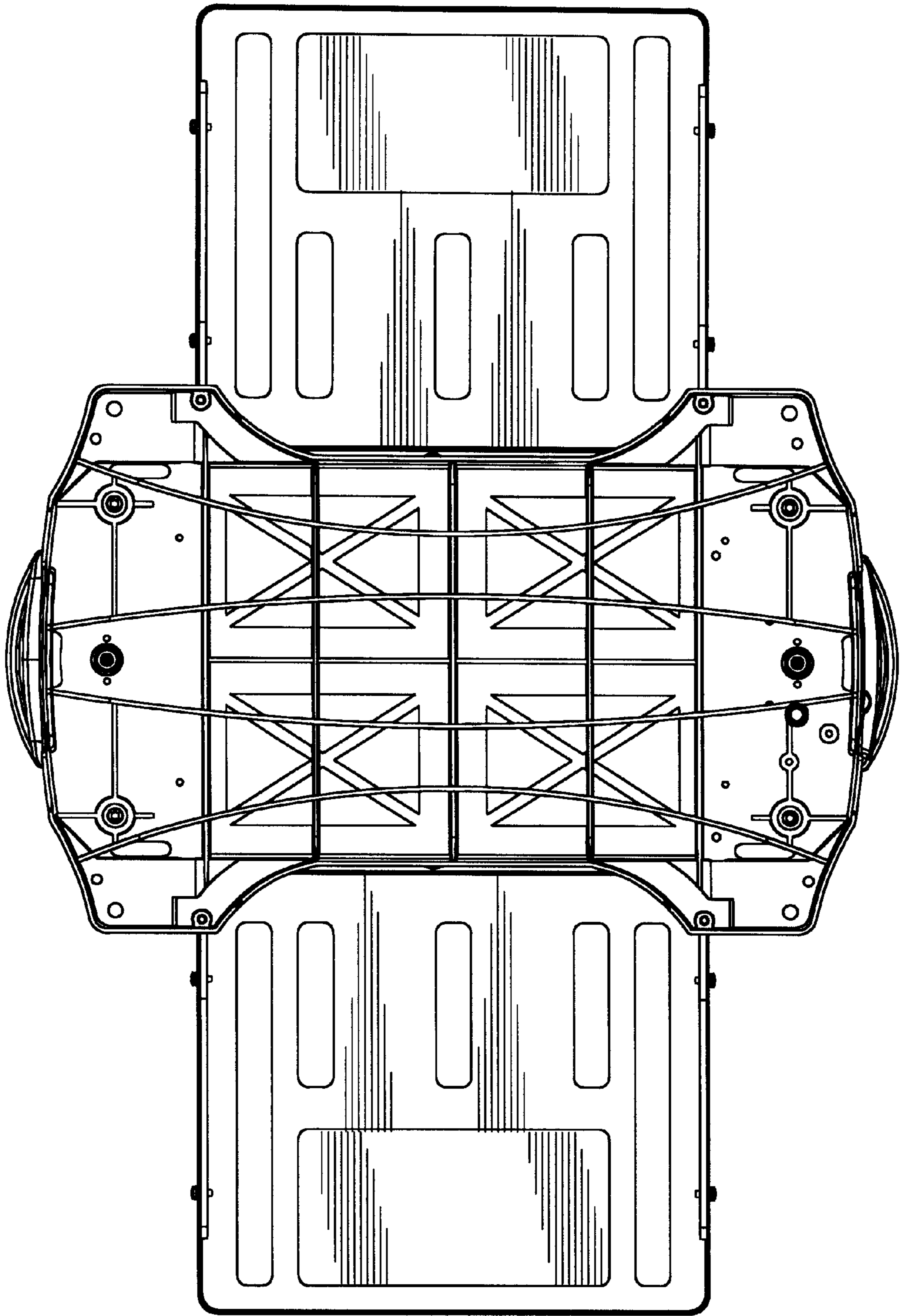


FIG. 7