



US00D453525S

(12) **United States Design Patent**
Lutes

(10) **Patent No.:** **US D453,525 S**

(45) **Date of Patent:** **** Feb. 12, 2002**

(54) **TURBINE PUMP HOUSING**

D294,266 S * 2/1988 Dudeck et al. D15/9

(75) Inventor: **Paul J. Lutes**, Edmond, OK (US)

* cited by examiner

(73) Assignee: **Corken, Incorporated**, Oklahoma City, OK (US)

Primary Examiner—Ralf Seifert

(74) *Attorney, Agent, or Firm*—Crowe & Dunlevy

(**) Term: **14 Years**

(57) **CLAIM**

(21) Appl. No.: **29/129,020**

The ornamental design for a turbine pump housing, as shown and described.

(22) Filed: **Sep. 5, 2000**

DESCRIPTION

(51) **LOC (7) Cl.** **15-02**

FIG. 1 perspective view of the turbine pump housing of this invention.

(52) **U.S. Cl.** **D15/7**

FIG. 2 is a front elevational view of the housing of this invention.

(58) **Field of Search** D15/7-9; D23/265; 417/54, 424, 403, 900, 489, 60, 91, 92

FIG. 3 is a rear elevational view of the pump housing of FIG. 2.

(56) **References Cited**

FIG. 4 is a right-hand side elevational view of the pump housing of FIG. 2.

U.S. PATENT DOCUMENTS

| | | | | | |
|------------|---|---------|---------------|-------|---------|
| D195,534 S | * | 6/1963 | Yokota | | D15/7 |
| D206,502 S | * | 12/1966 | Wells | | D15/7 |
| D221,258 S | * | 7/1971 | Saddler | | D15/7 |
| D229,236 S | * | 11/1973 | Doolin | | D15/7 |
| D240,272 S | * | 6/1976 | Phillpot | | D23/265 |
| D284,380 S | * | 6/1986 | Berg et al. | | 417/424 |
| D285,447 S | * | 9/1986 | Dudeck et al. | | 417/54 |

FIG. 5 is a left-hand side elevational view of the pump housing of FIG. 2.

FIG. 6 is a top plan view of the housing of FIG. 2; and,

FIG. 7 is a bottom plan view of the housing of FIG. 2.

1 Claim, 4 Drawing Sheets

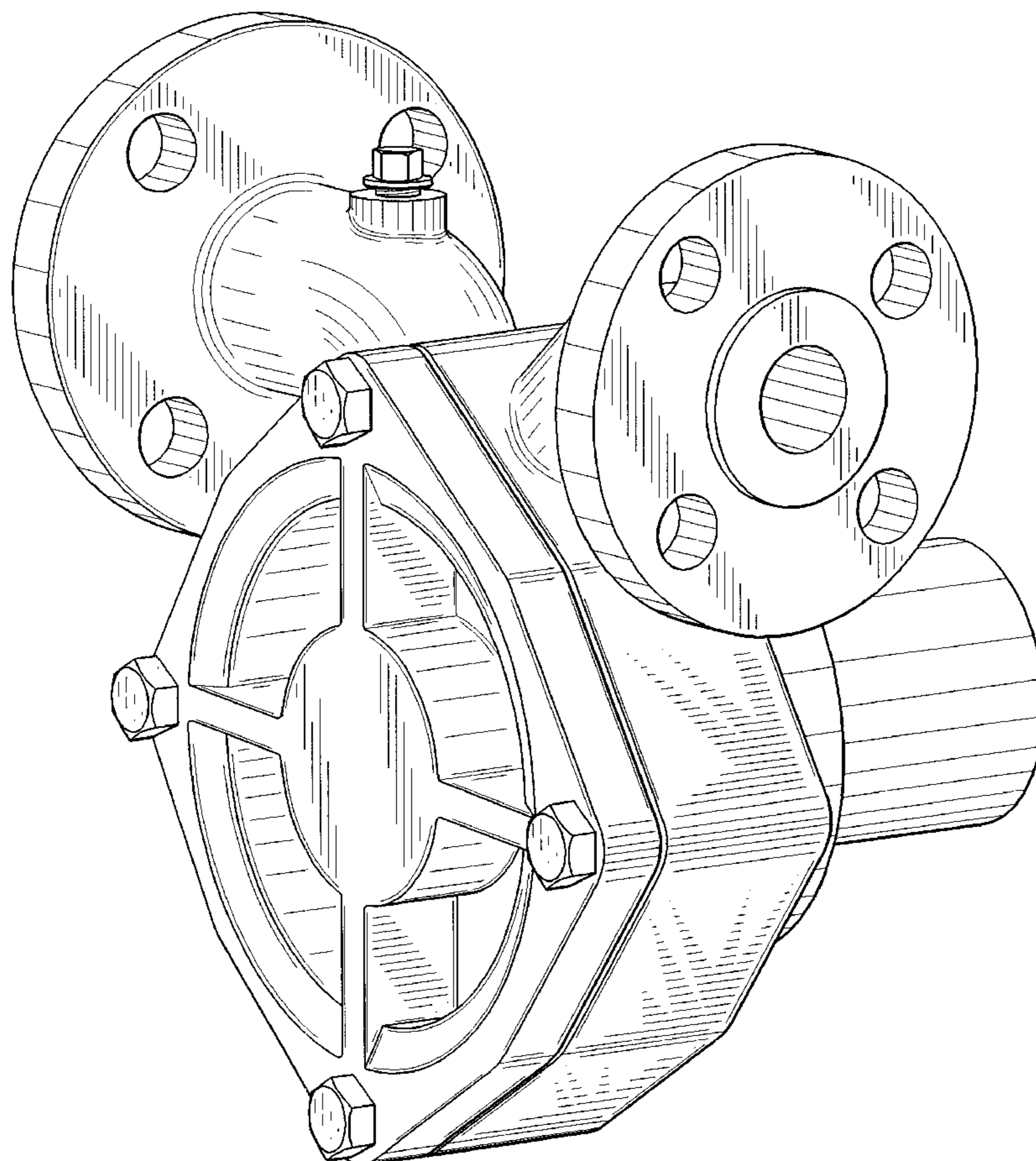


FIG. 1

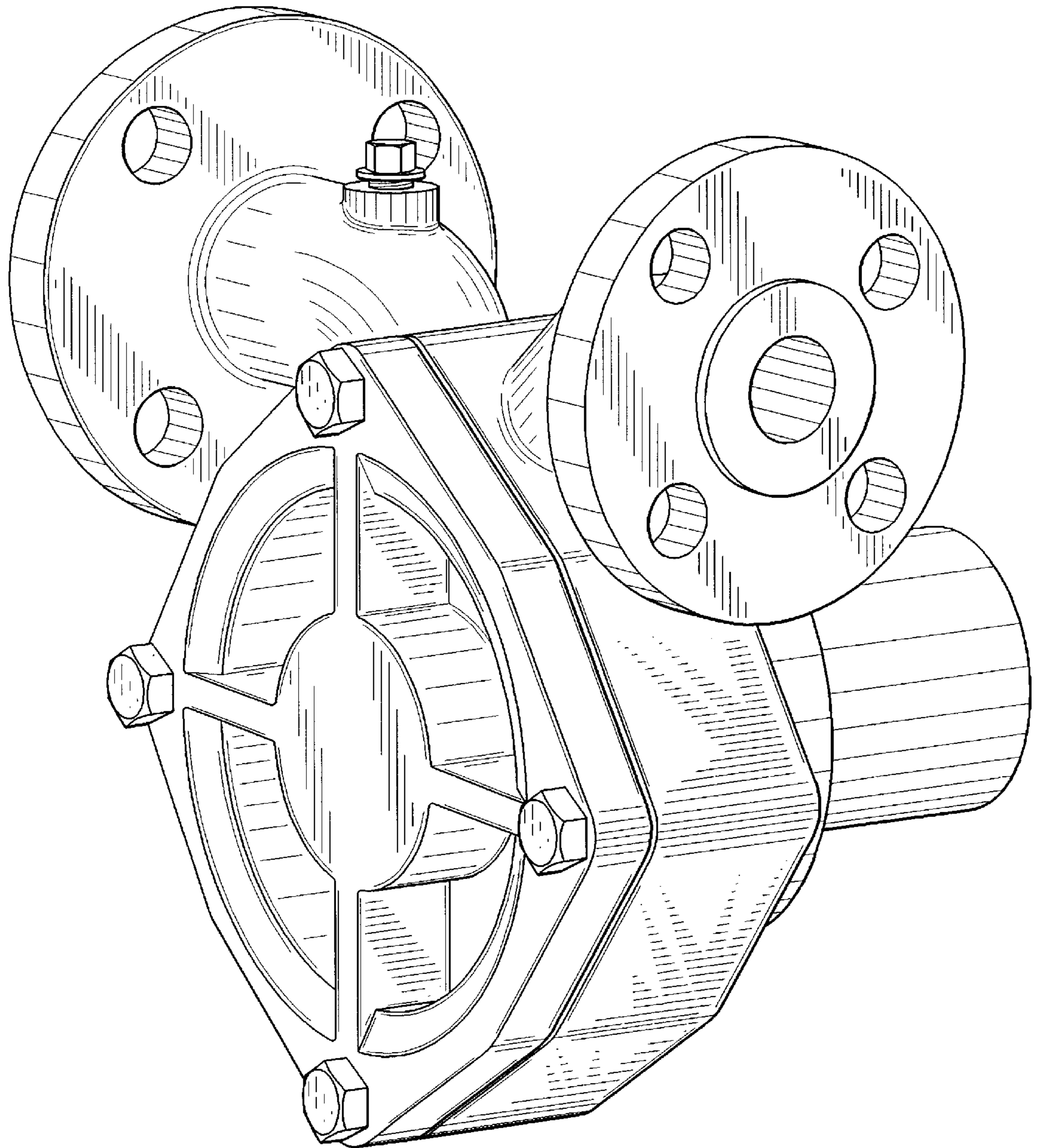


FIG. 2

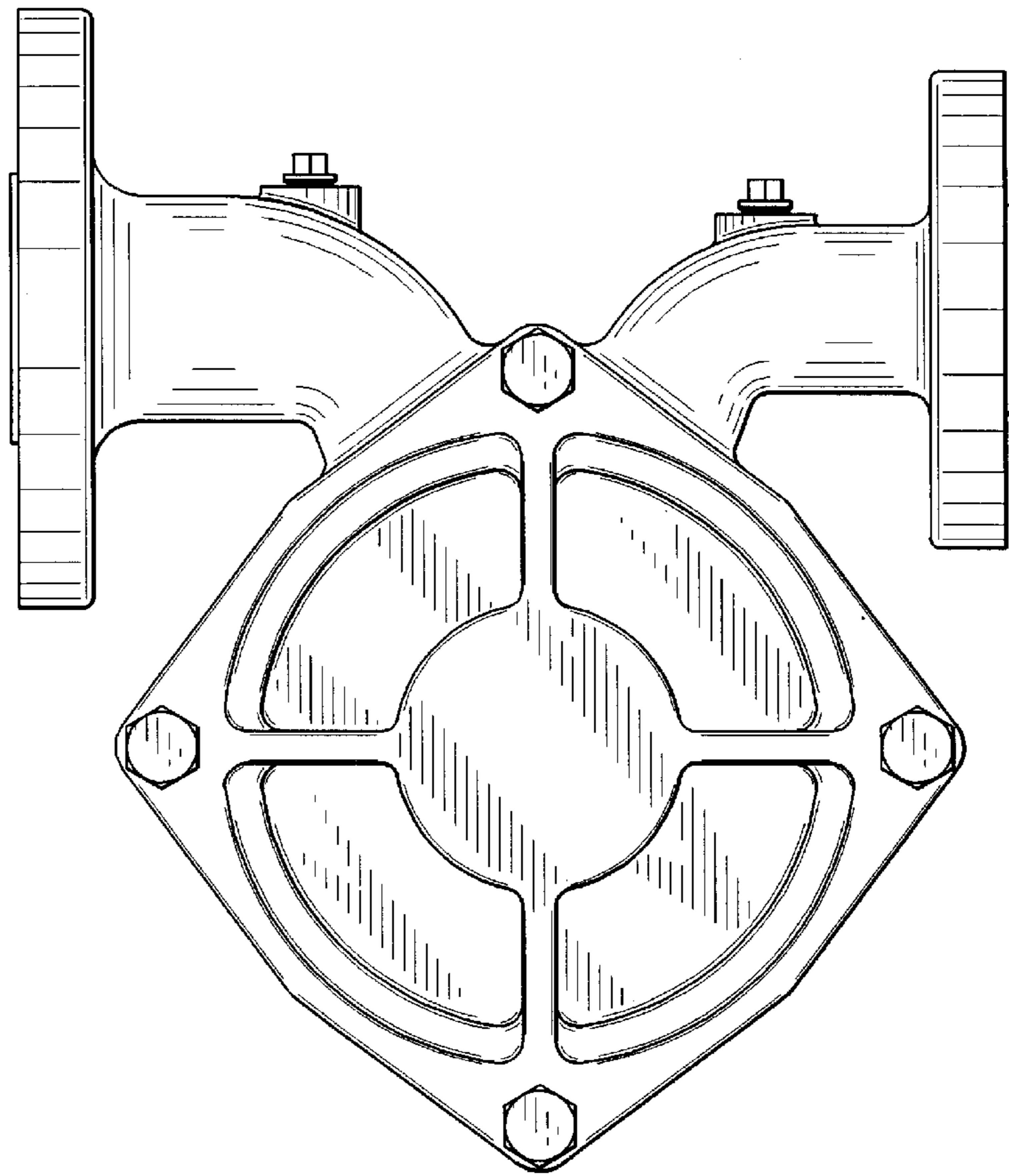


FIG. 3

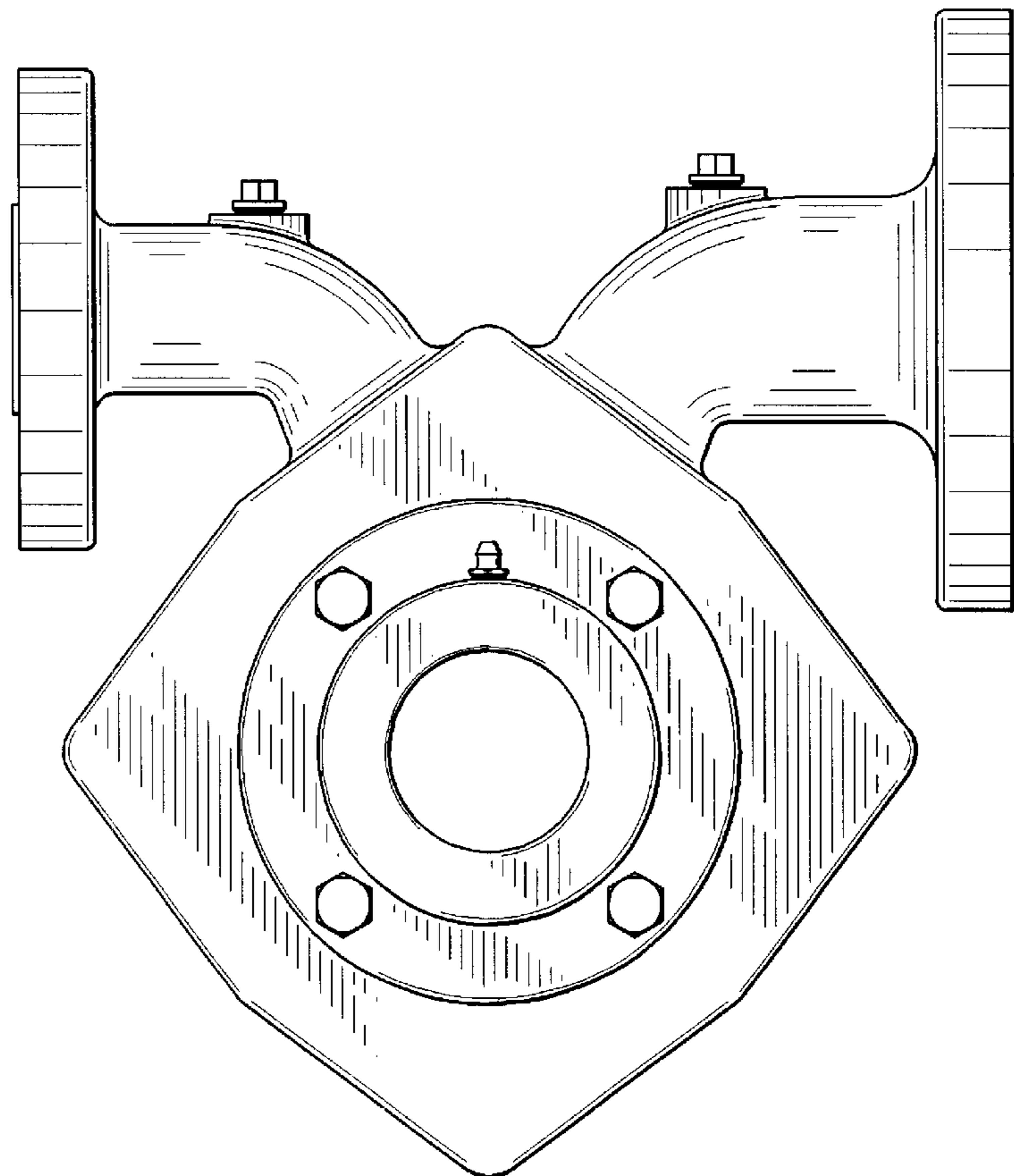


FIG. 4

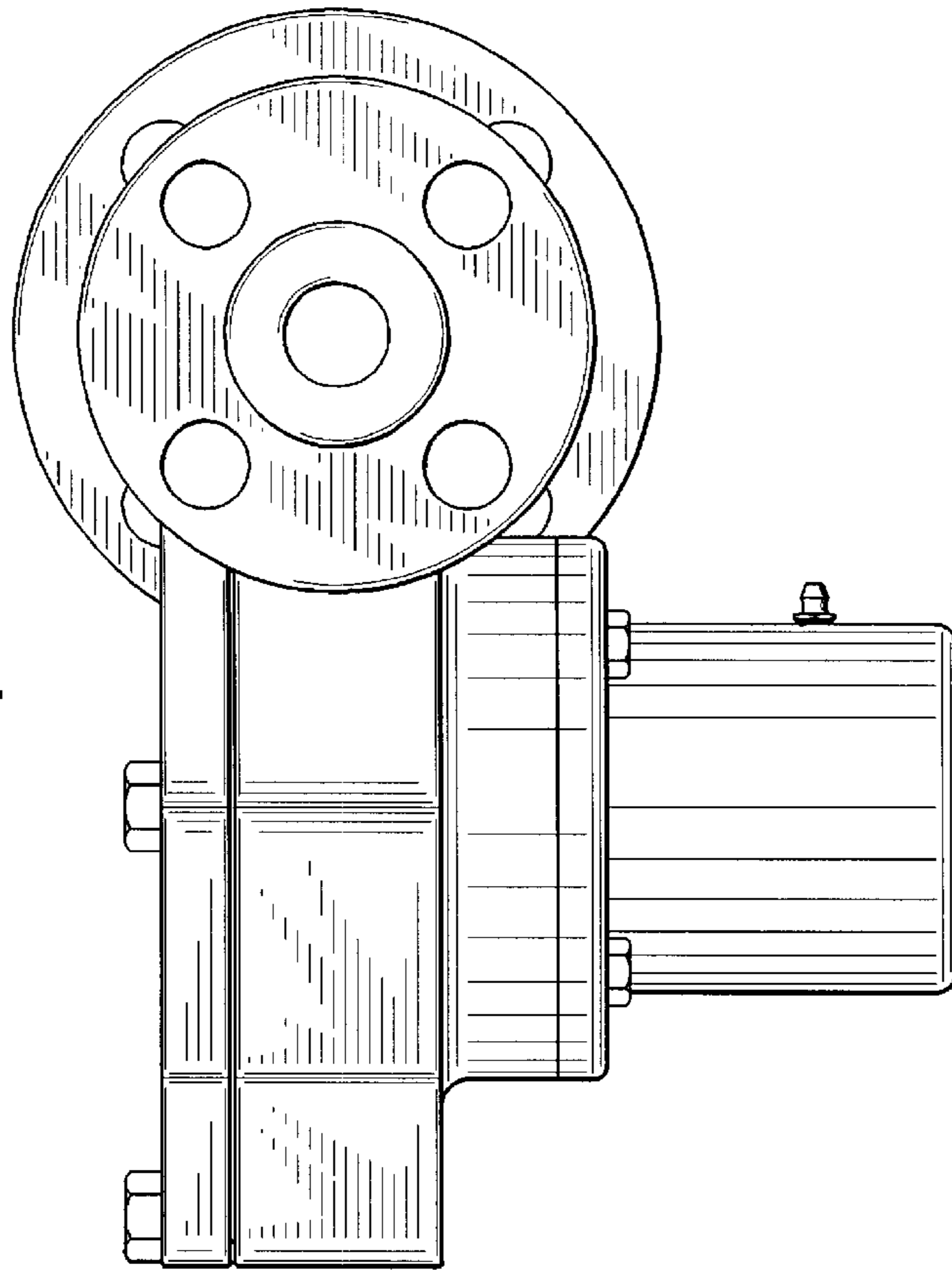


FIG. 5

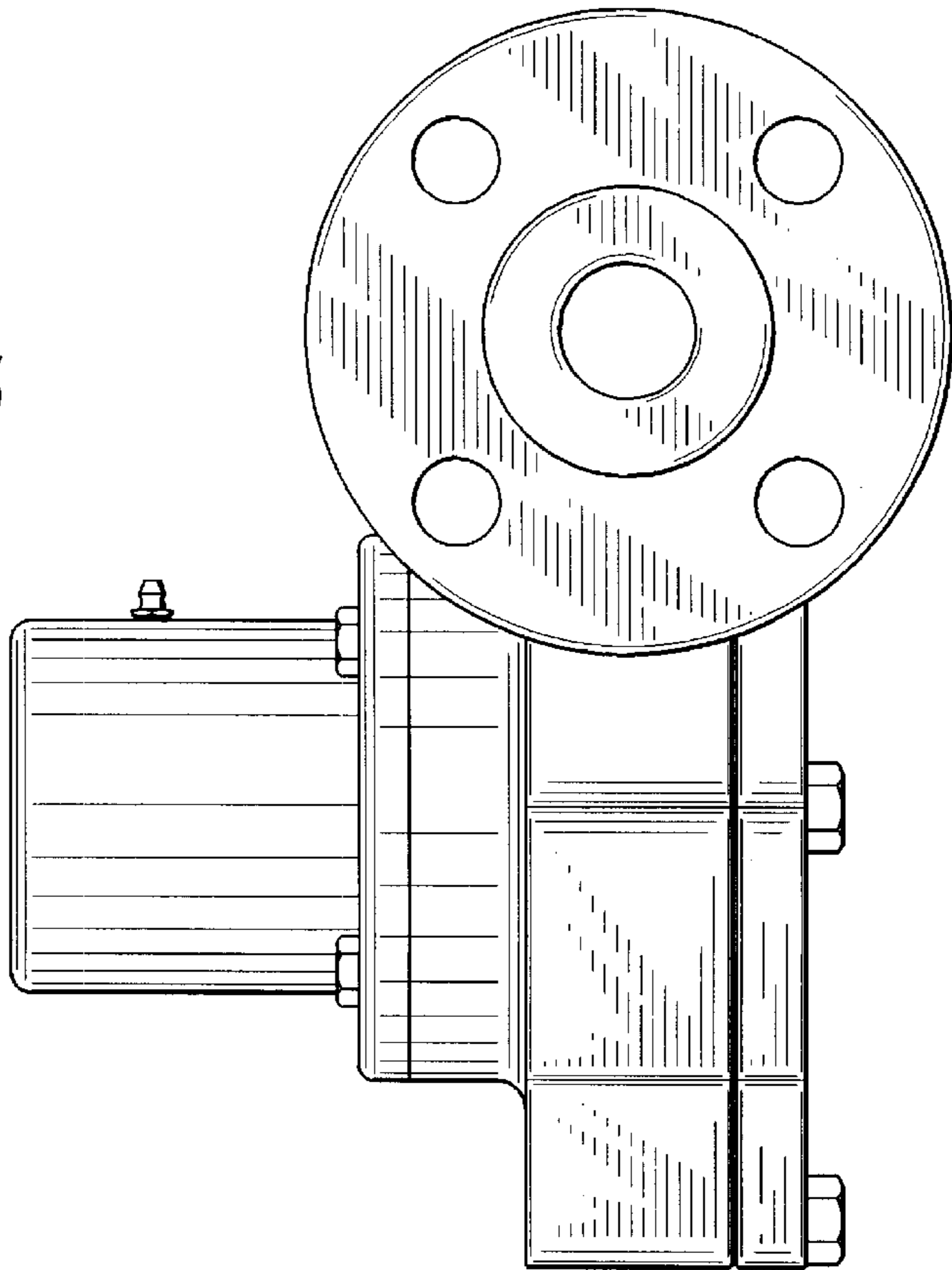


FIG. 6

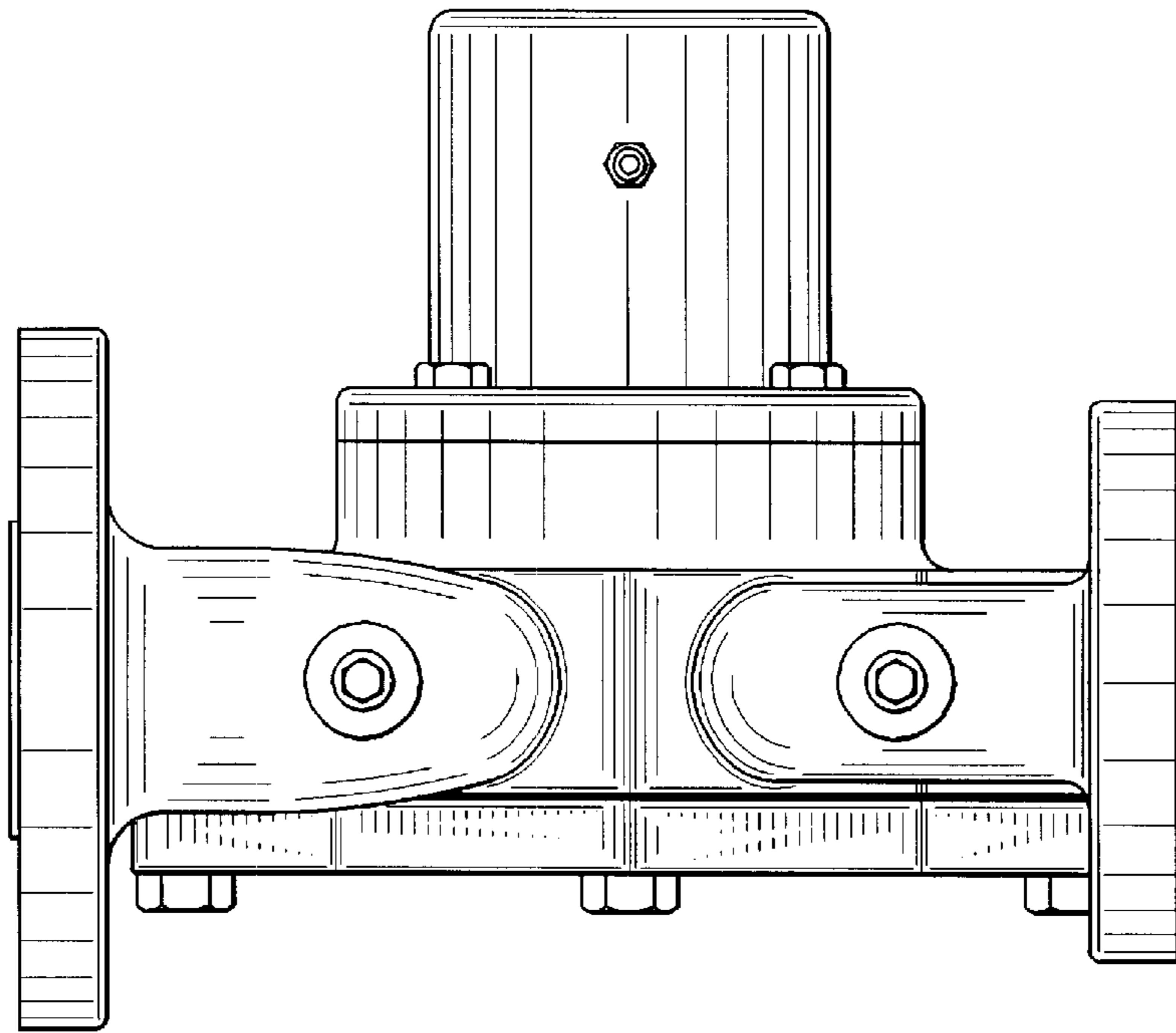


FIG. 7

