



US00D453524S

(12) **United States Design Patent**
Wu

(10) **Patent No.:** **US D453,524 S**

(45) **Date of Patent:** **** Feb. 12, 2002**

(54) **PORTABLE AIR PUMP**

D422,601 S * 4/2000 Bonzer D15/7

(75) Inventor: **Hsin-Tsai Wu**, Taipei (TW)

* cited by examiner

(73) Assignee: **Bulton Enterprises Co., Ltd.** (TW)

Primary Examiner—Ralf Seifert

(**) Term: **14 Years**

(74) *Attorney, Agent, or Firm*—Skjerven Morrill MacPherson LLP

(21) Appl. No.: **29/123,960**

(57) **CLAIM**

(22) Filed: **May 25, 2000**

The ornamental design for portable air pump, as shown and described.

(51) **LOC (7) Cl.** **15-02**

(52) **U.S. Cl.** **D15/7**

(58) **Field of Search** D15/7-9; 417/234,
417/229, 321, 410, 411, 265, 415, 405,
38, 40, 572, 360

DESCRIPTION

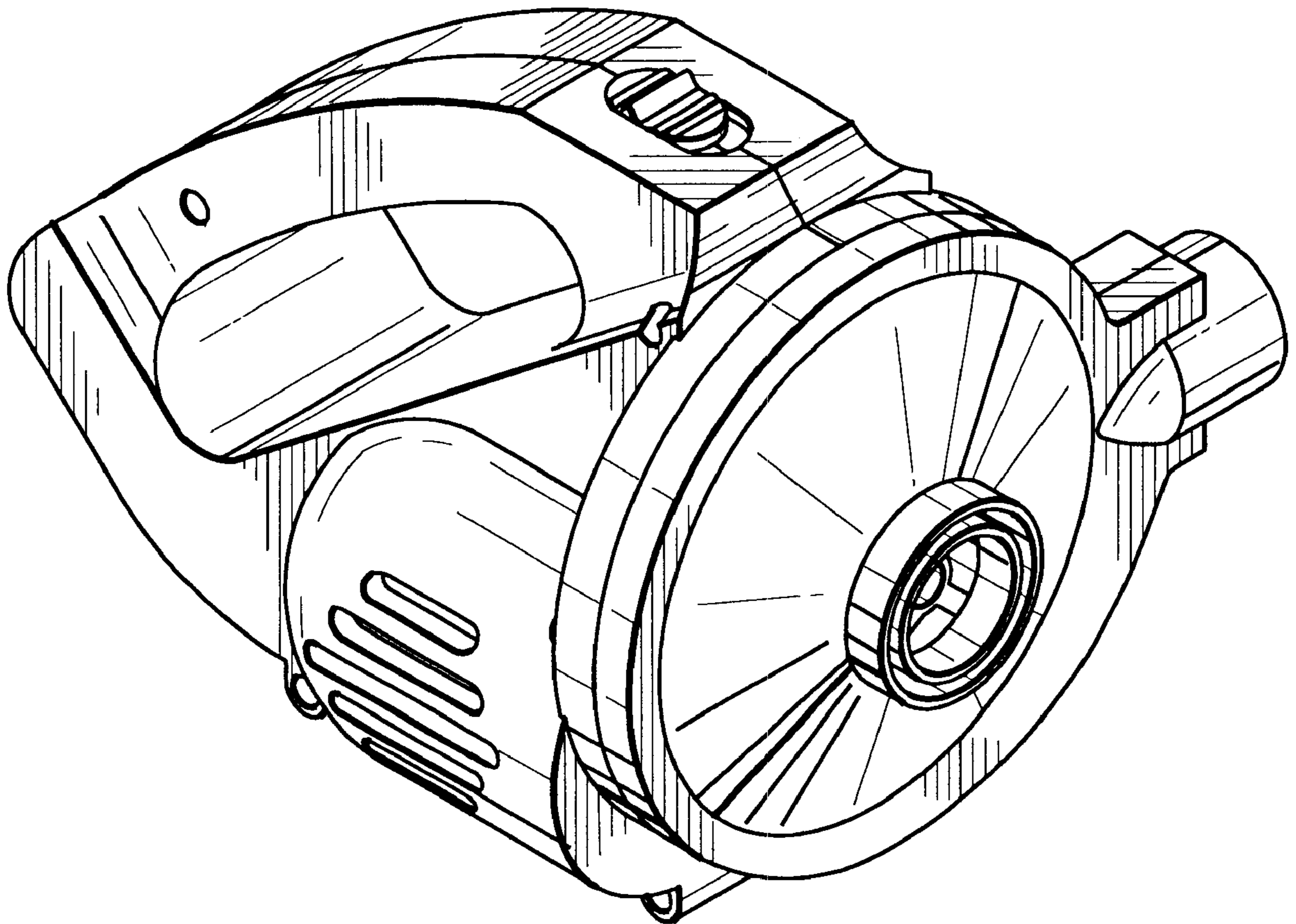
(56) **References Cited**

U.S. PATENT DOCUMENTS

- D339,143 S * 9/1993 Whitley, II D15/7
- D391,969 S * 3/1998 Poon D15/7
- D405,806 S * 2/1999 Poon D15/7

FIG. 1 is a perspective view of portable air pump showing my new design;
FIG. 2 is a front elevational view thereof;
FIG. 3 is a rear elevational view thereof;
FIG. 4 is a left side elevational view thereof;
FIG. 5 is a right side elevational view thereof;
FIG. 6 is a top plan view thereof; and,
FIG. 7 is a bottom plan view thereof.

1 Claim, 4 Drawing Sheets



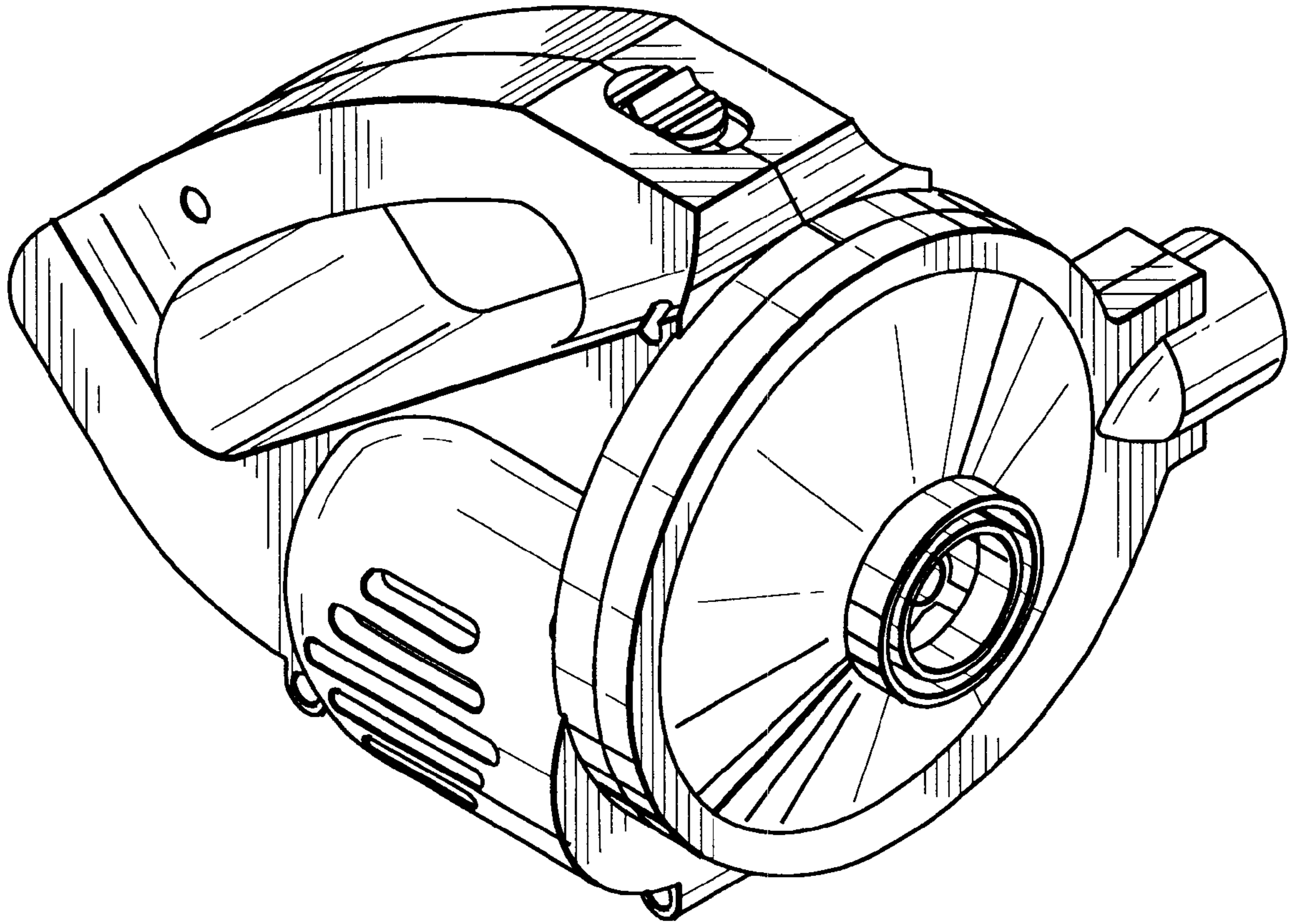


FIG. 1

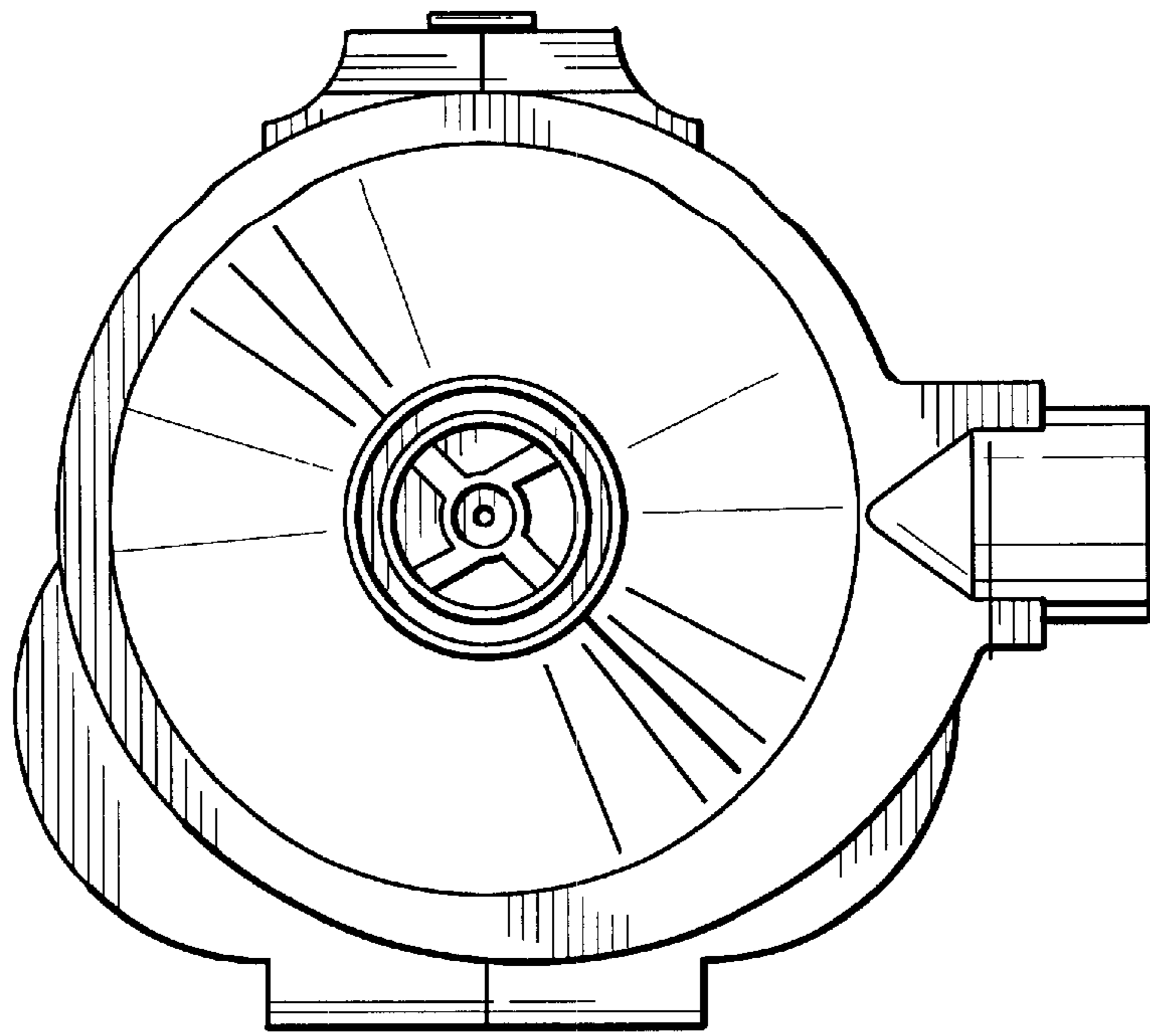


FIG. 2

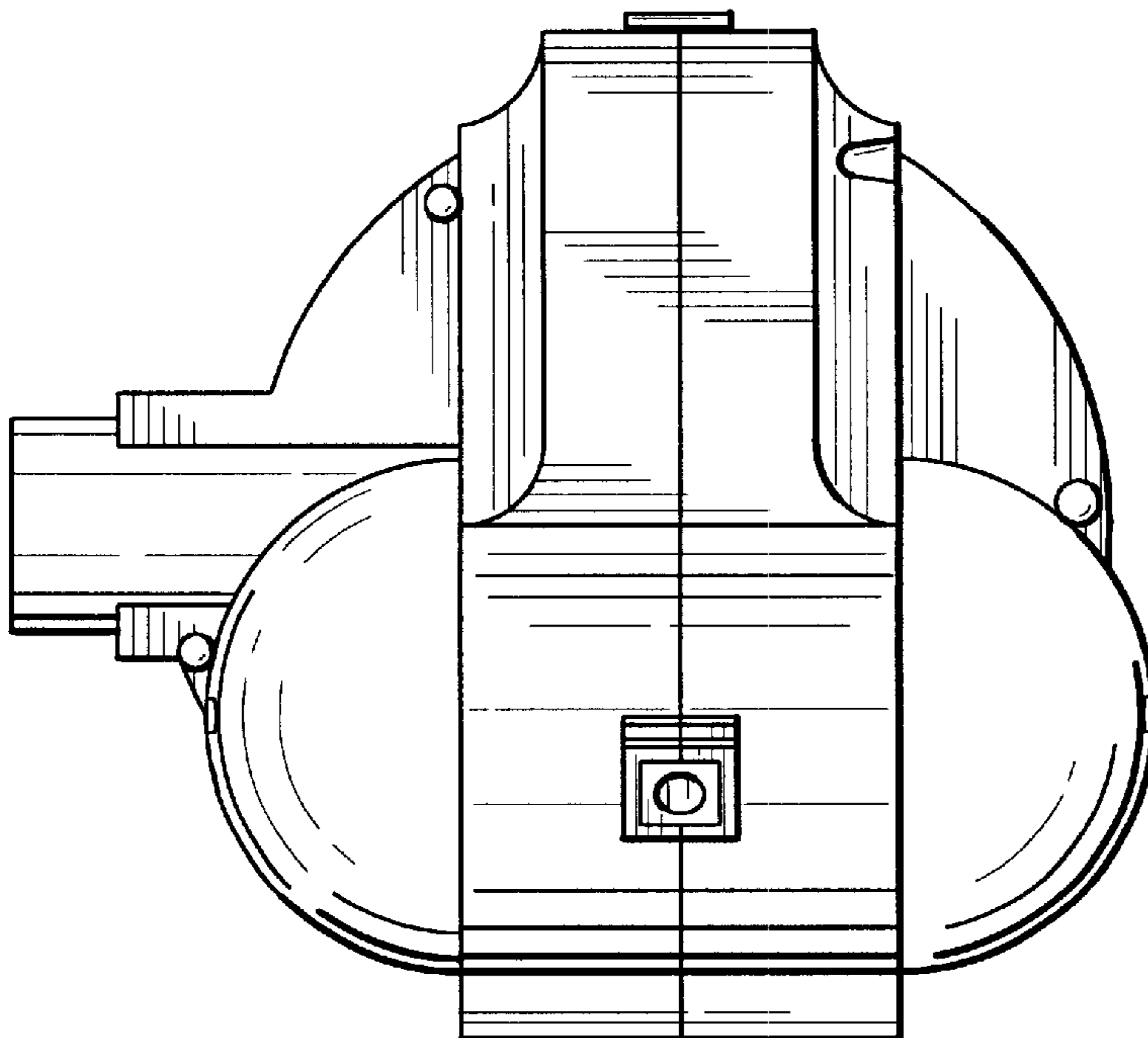


FIG. 3

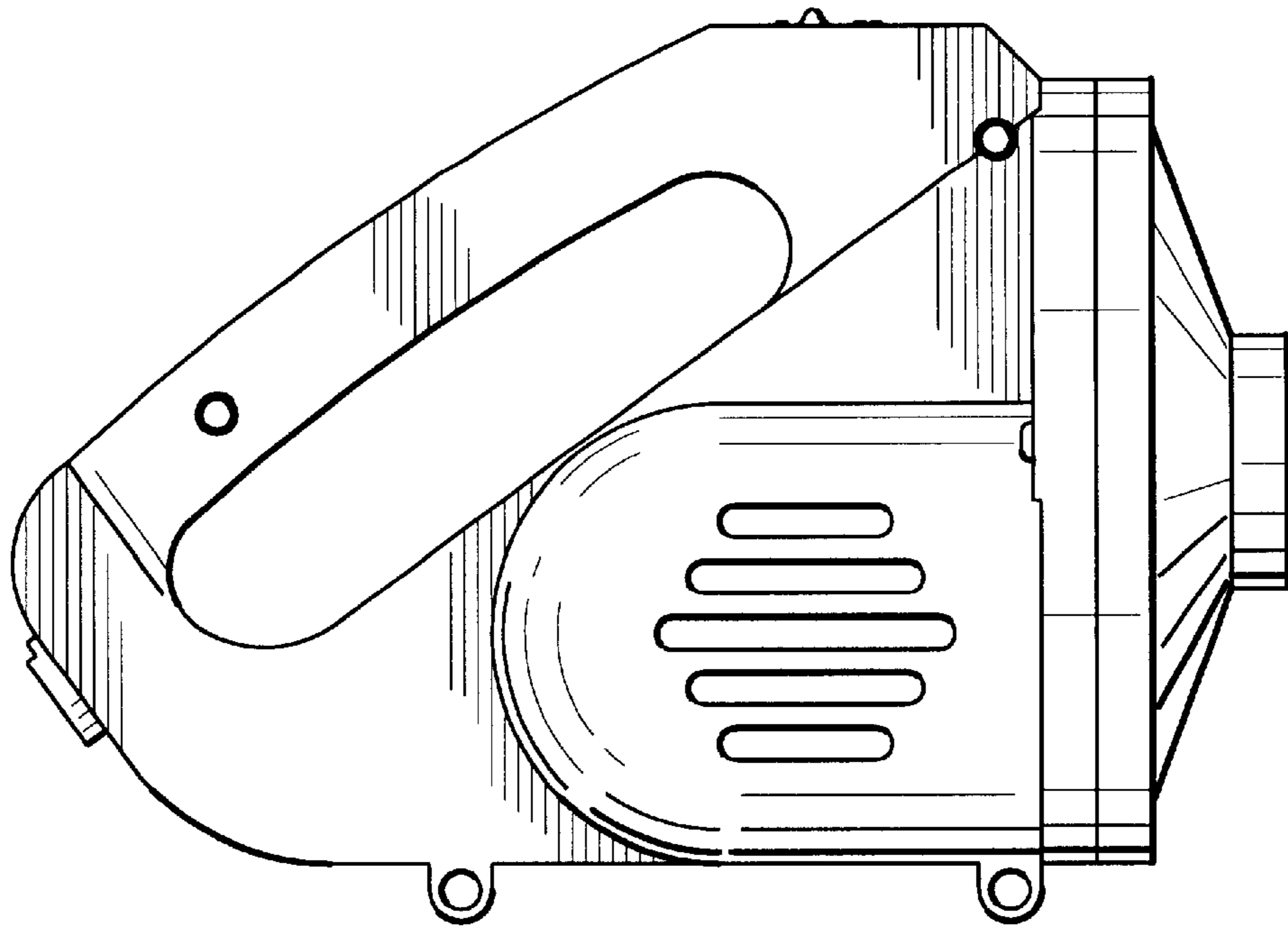


FIG. 4

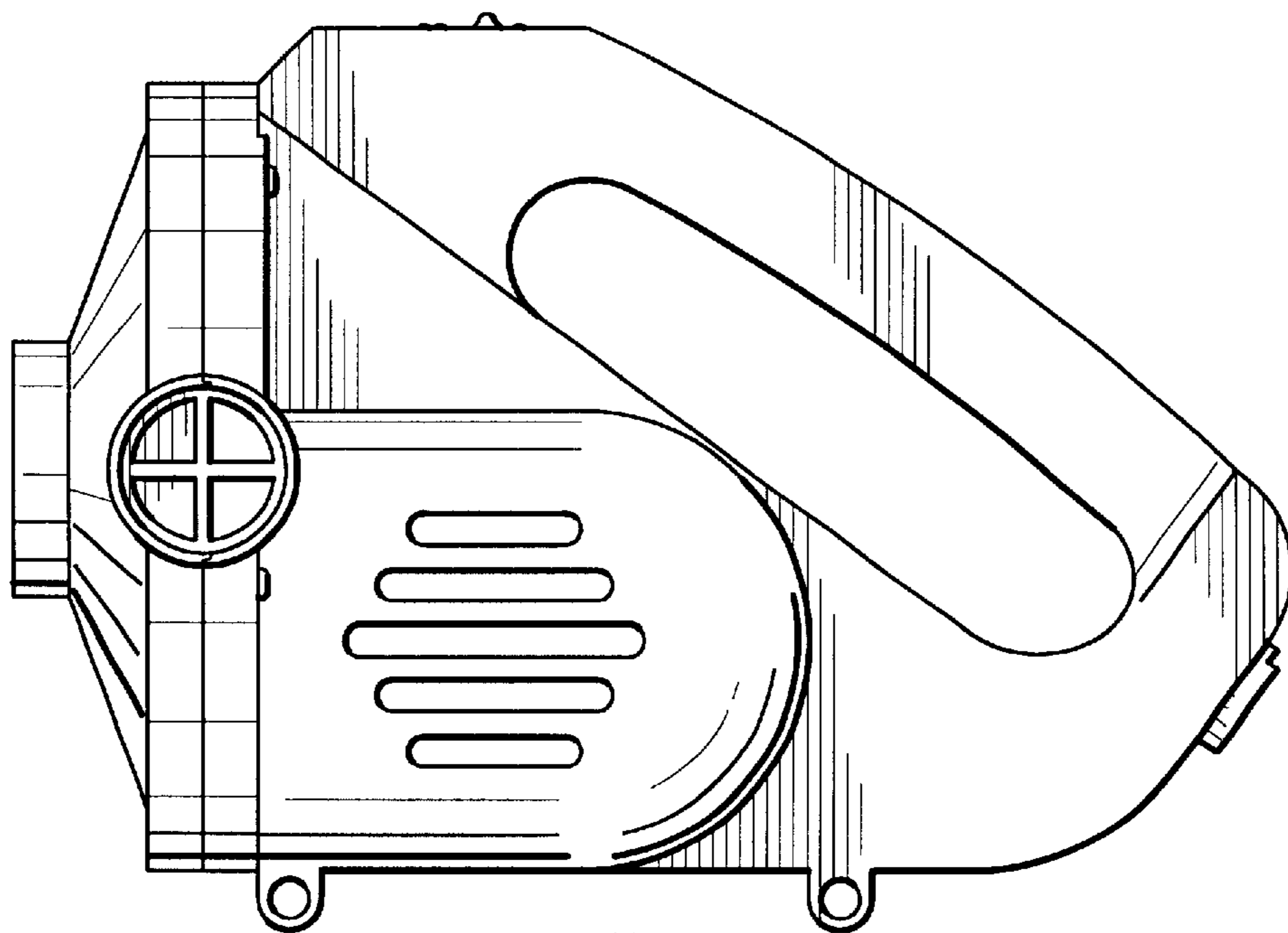


FIG. 5

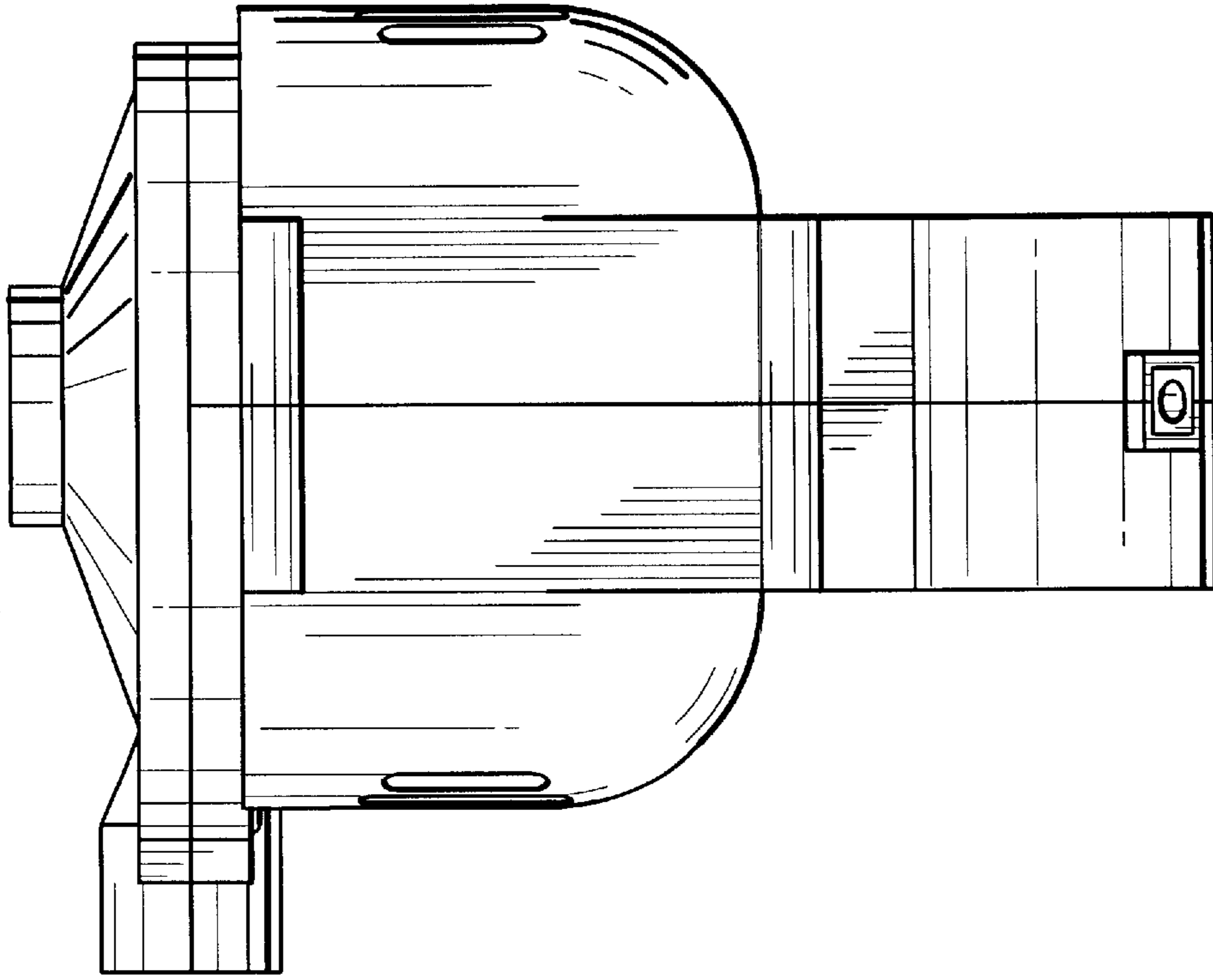


FIG. 7

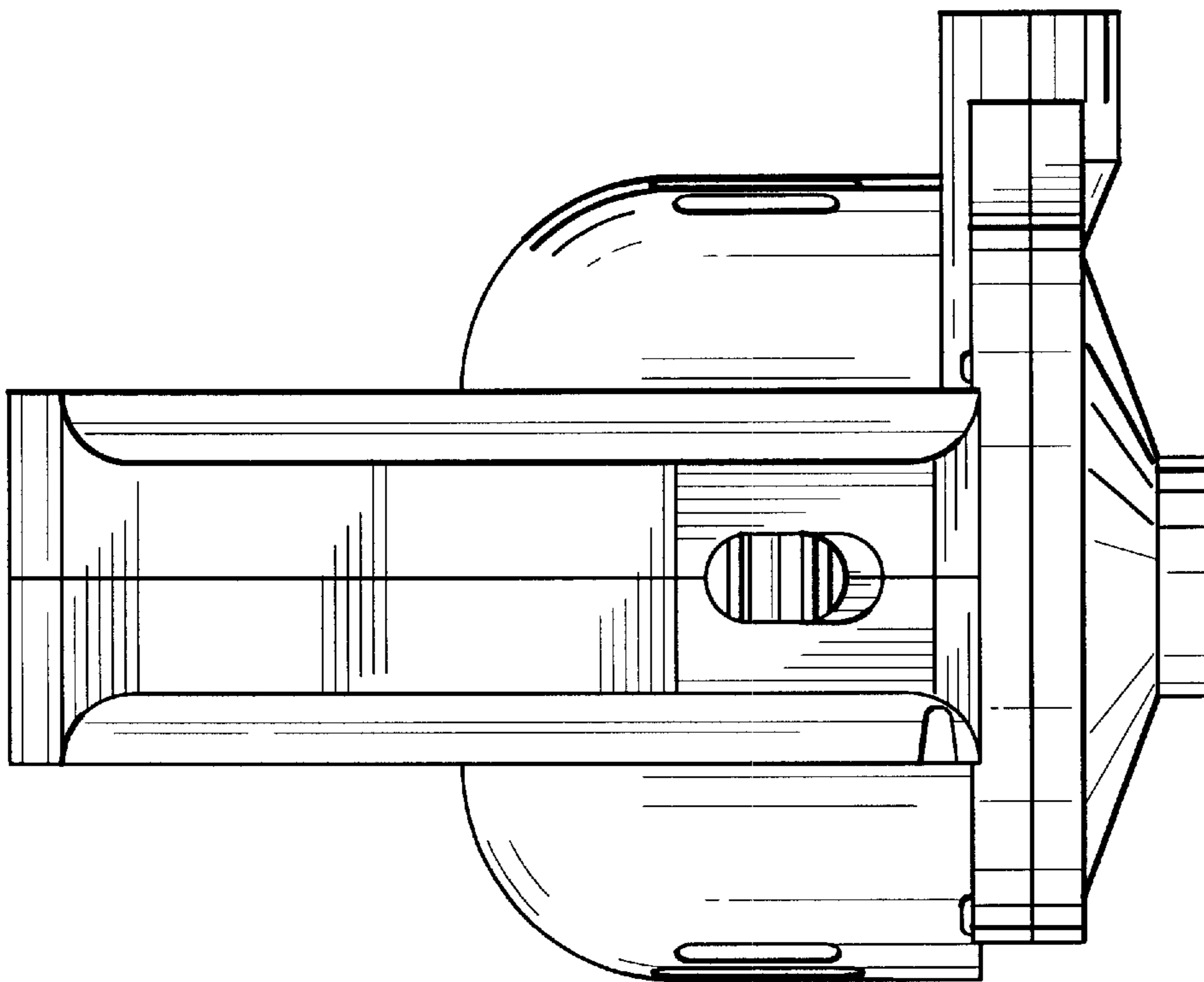


FIG. 6