



US00D453522S

(12) **United States Design Patent**  
**Maeda et al.**

(10) **Patent No.:** **US D453,522 S**  
(45) **Date of Patent:** **\*\* Feb. 12, 2002**

(54) **INTERNAL-COMBUSTION ENGINE**

**FOREIGN PATENT DOCUMENTS**

(75) Inventors: **Joji Maeda; Keita Ito**, both of Wako (JP)

JP	912648	8/1994
JP	985177	4/1997
JP	1016062	5/1998
JP	1017115	5/1998
JP	1026637	9/1998
JP	1029168	10/1998
JP	1047808	5/1999
JP	1066432	1/2000

(73) Assignee: **Honda Giken Kogyo Kabushiki Kaisha**, Tokyo (JP)

(\*\*) Term: **14 Years**

(21) Appl. No.: **29/137,556**

\* cited by examiner

(22) Filed: **Feb. 26, 2001**

*Primary Examiner*—Melody N. Brown  
(74) *Attorney, Agent, or Firm*—Armstrong, Westerman, Hattori, McLeland & Naughton, LLP.

(30) **Foreign Application Priority Data**

Aug. 29, 2000 (JP) ..... 2000-023856

(57) **CLAIM**

(51) **LOC (7) Cl.** ..... **15-01**

The ornamental design for; an internal-combustion engine, as shown and described.

(52) **U.S. Cl.** ..... **D15/1**

(58) **Field of Search** ..... D15/1-6; D34/15;  
123/156 BA, 50 A, 306, 41.7, 308, 198 E,  
661, 667; 46/39, 78, 249

**DESCRIPTION**

FIG. 1 is a right-front perspective view of an internal-combustion engine showing our new design;  
FIG. 2 is a front view thereof;  
FIG. 3 is a rear view thereof;  
FIG. 4 is a left side view thereof;  
FIG. 5 is a right side view thereof; and,  
FIG. 6 is a top plan view thereof.

(56) **References Cited**

**U.S. PATENT DOCUMENTS**

D406,147 S	2/1999	Watanabe	
D416,265 S	* 11/1999	Kato et al.	D15/1
D421,024 S	* 2/2000	Katoh	D15/1
D443,280 S	* 6/2001	Shimizu	D15/1
D444,478 S	* 7/2001	Shimizu	D15/1

**1 Claim, 6 Drawing Sheets**

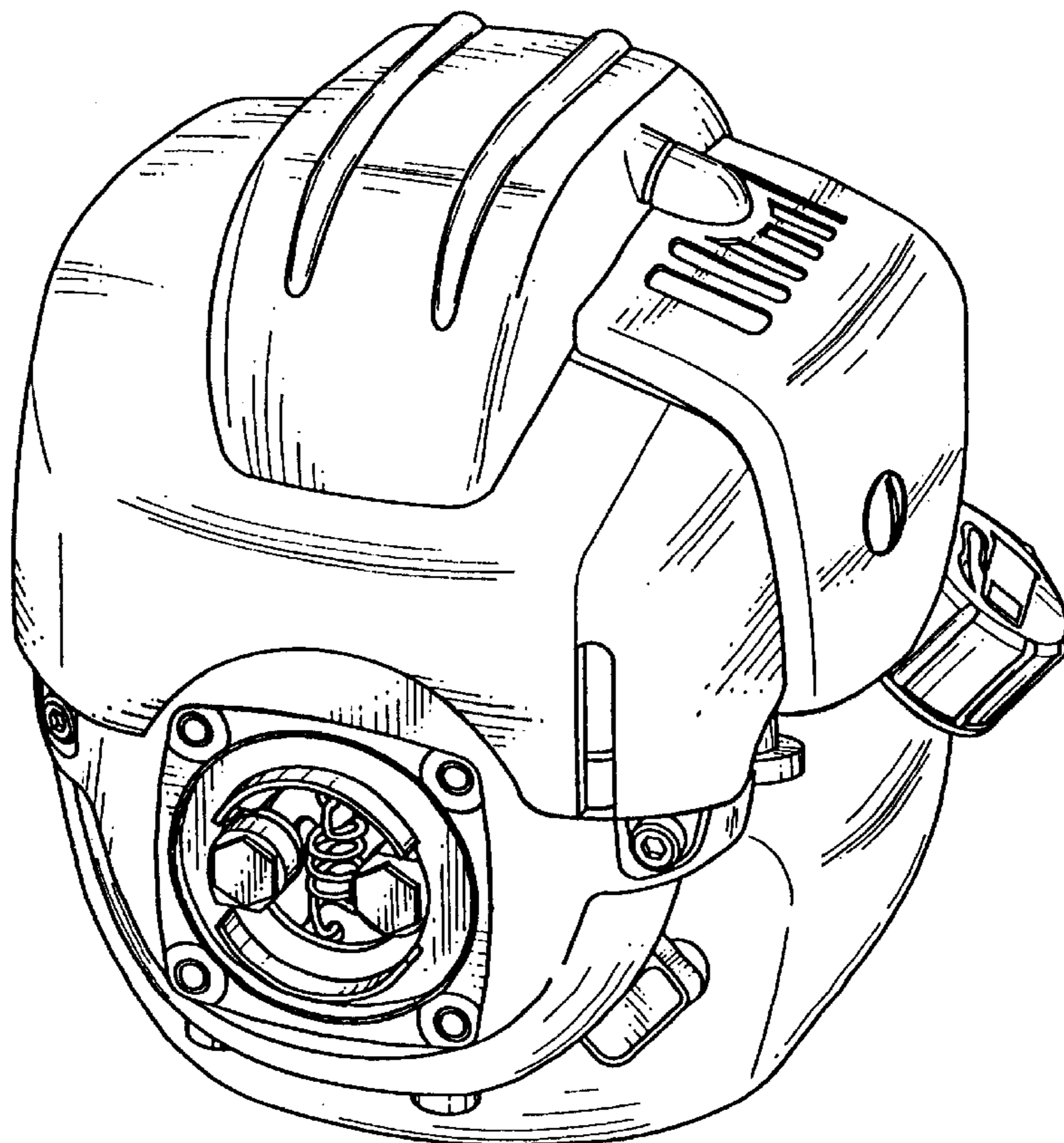


FIG. 1

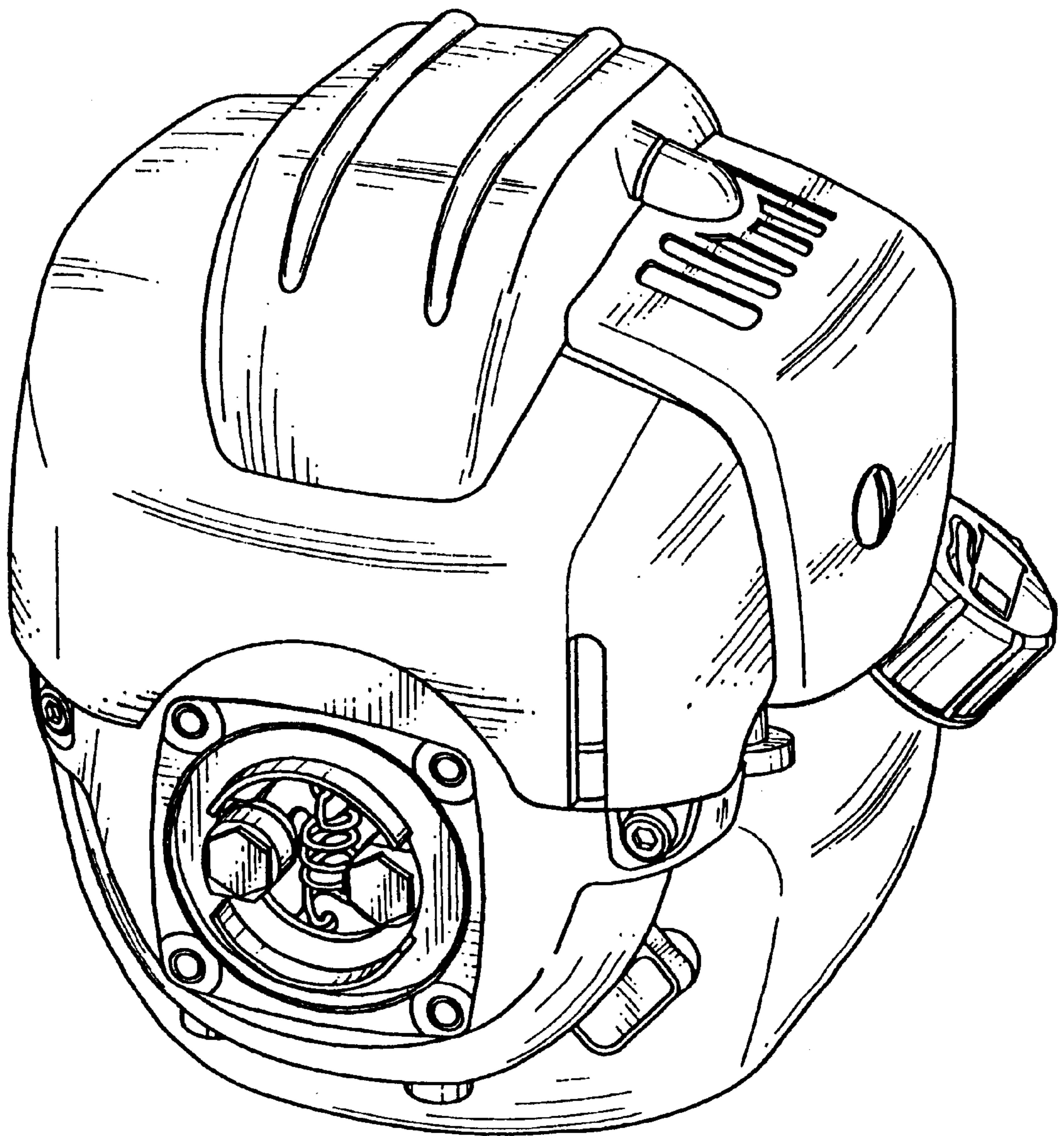


FIG. 2

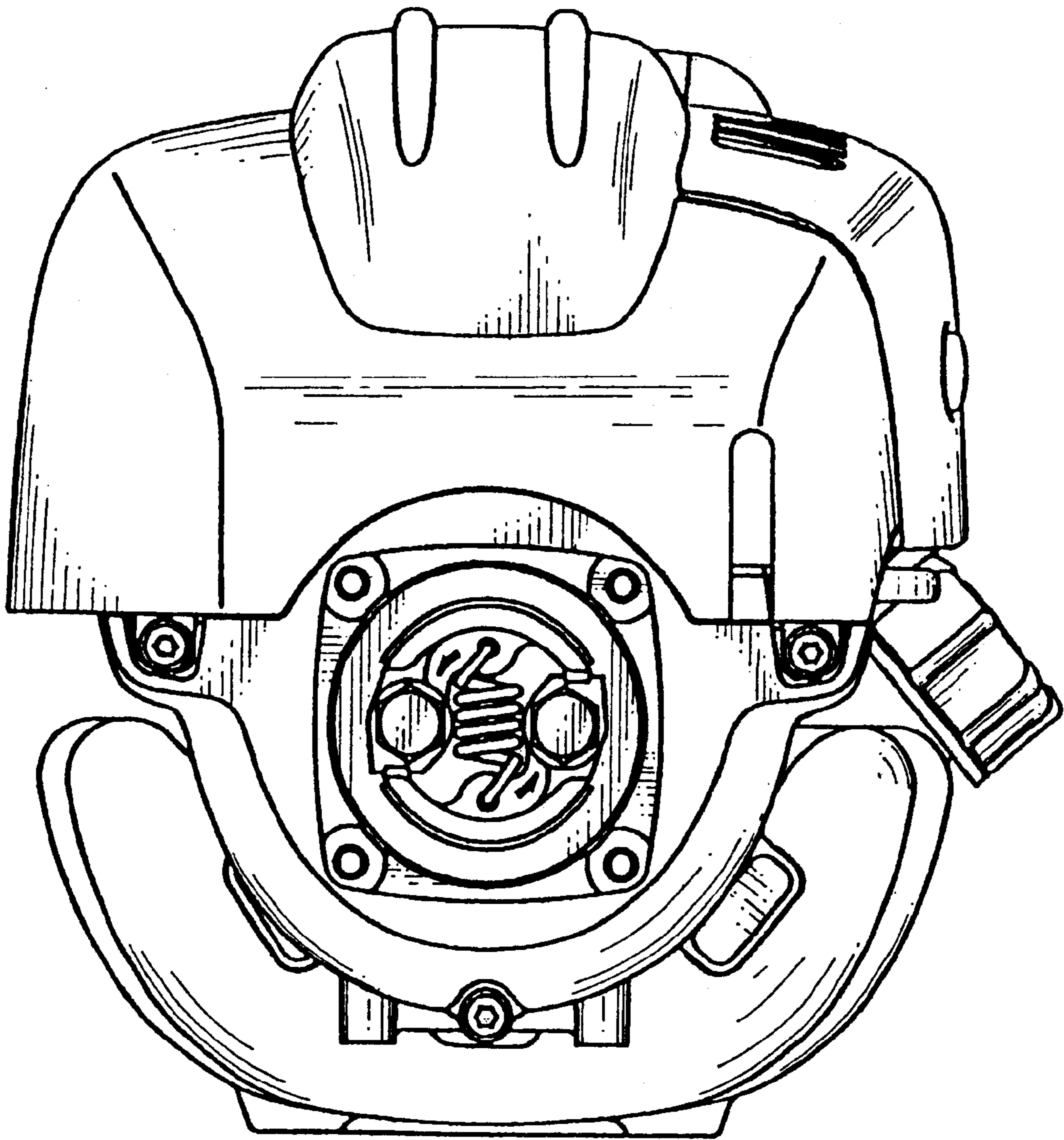


FIG. 3

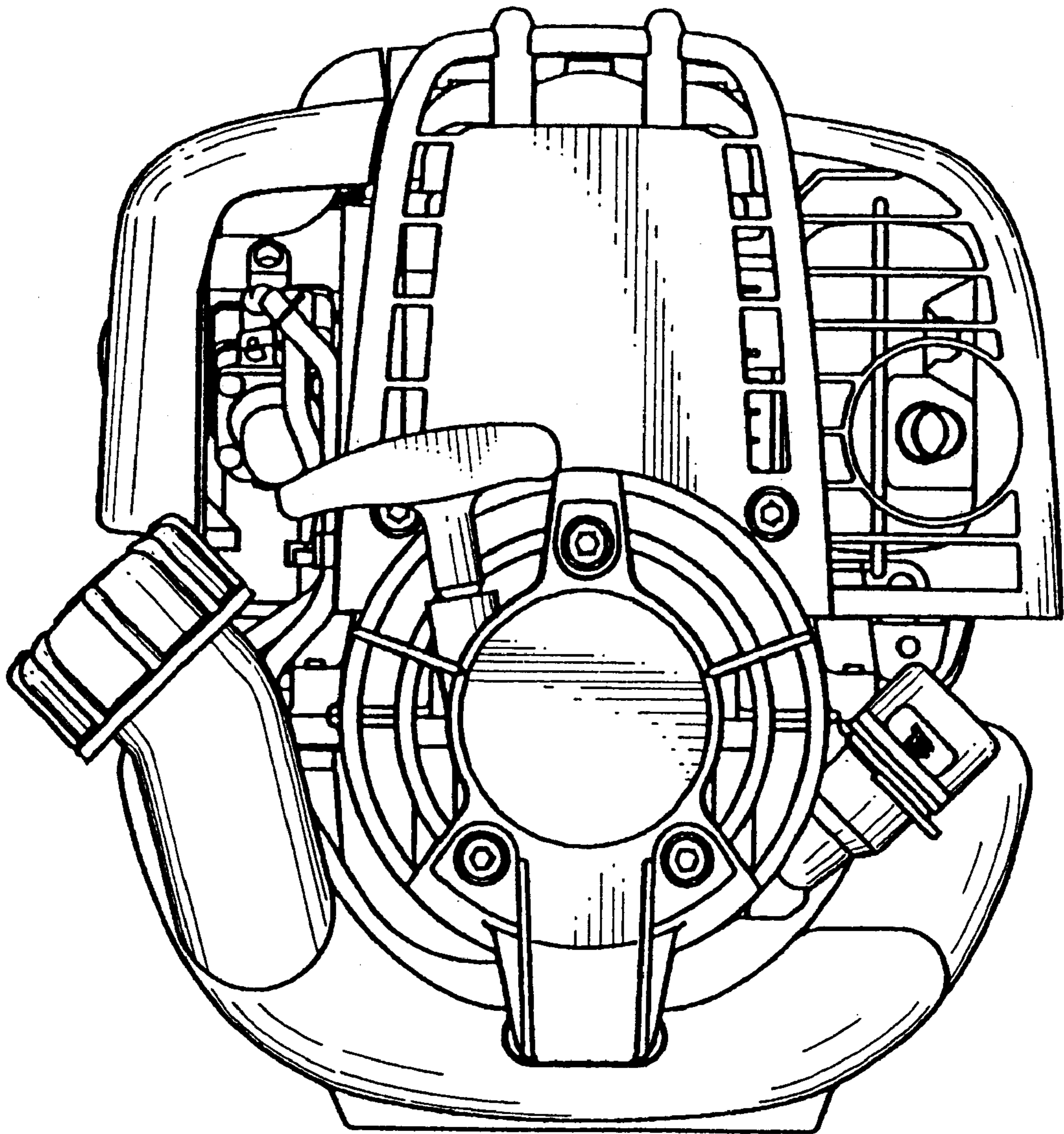


FIG. 4

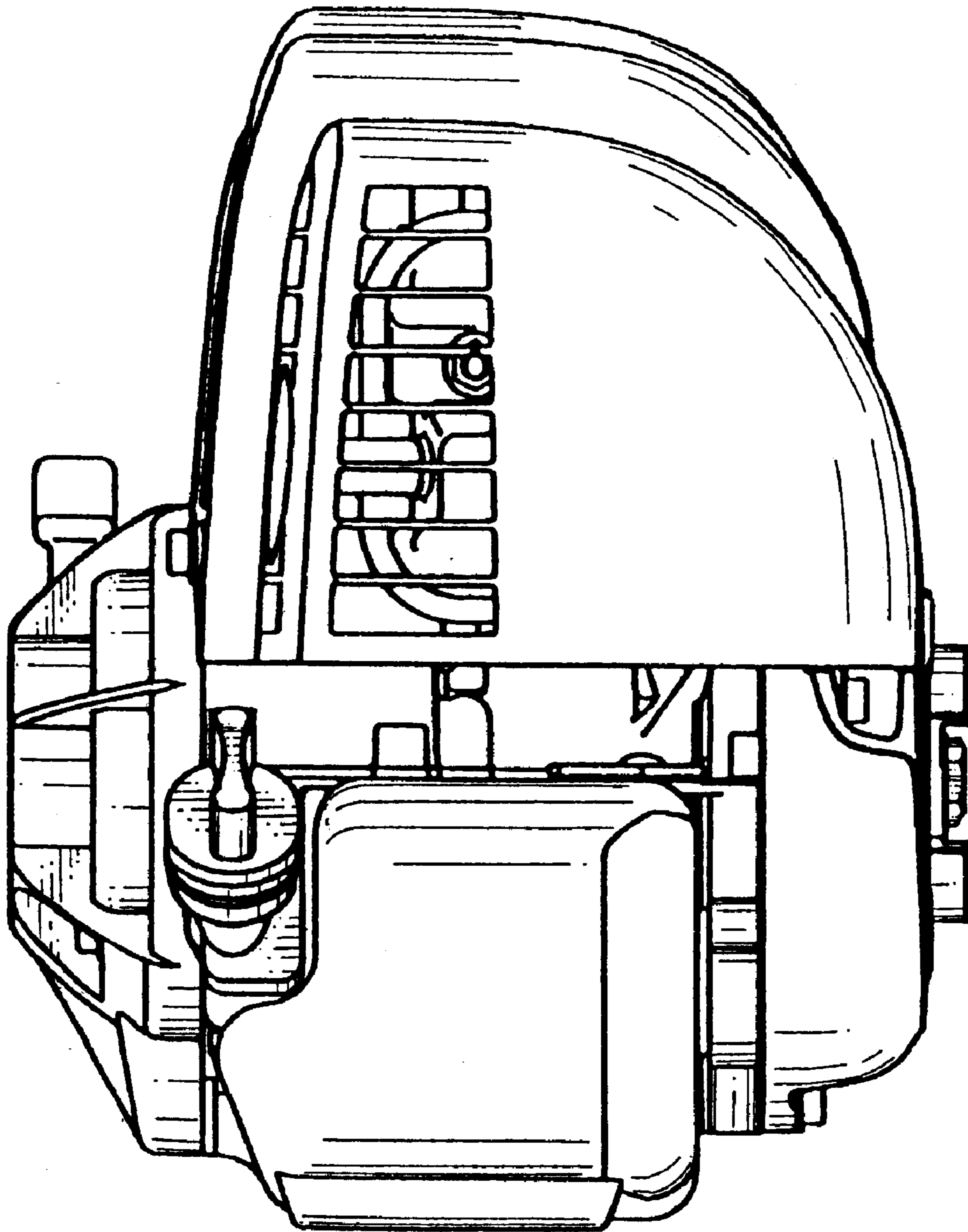


FIG. 5

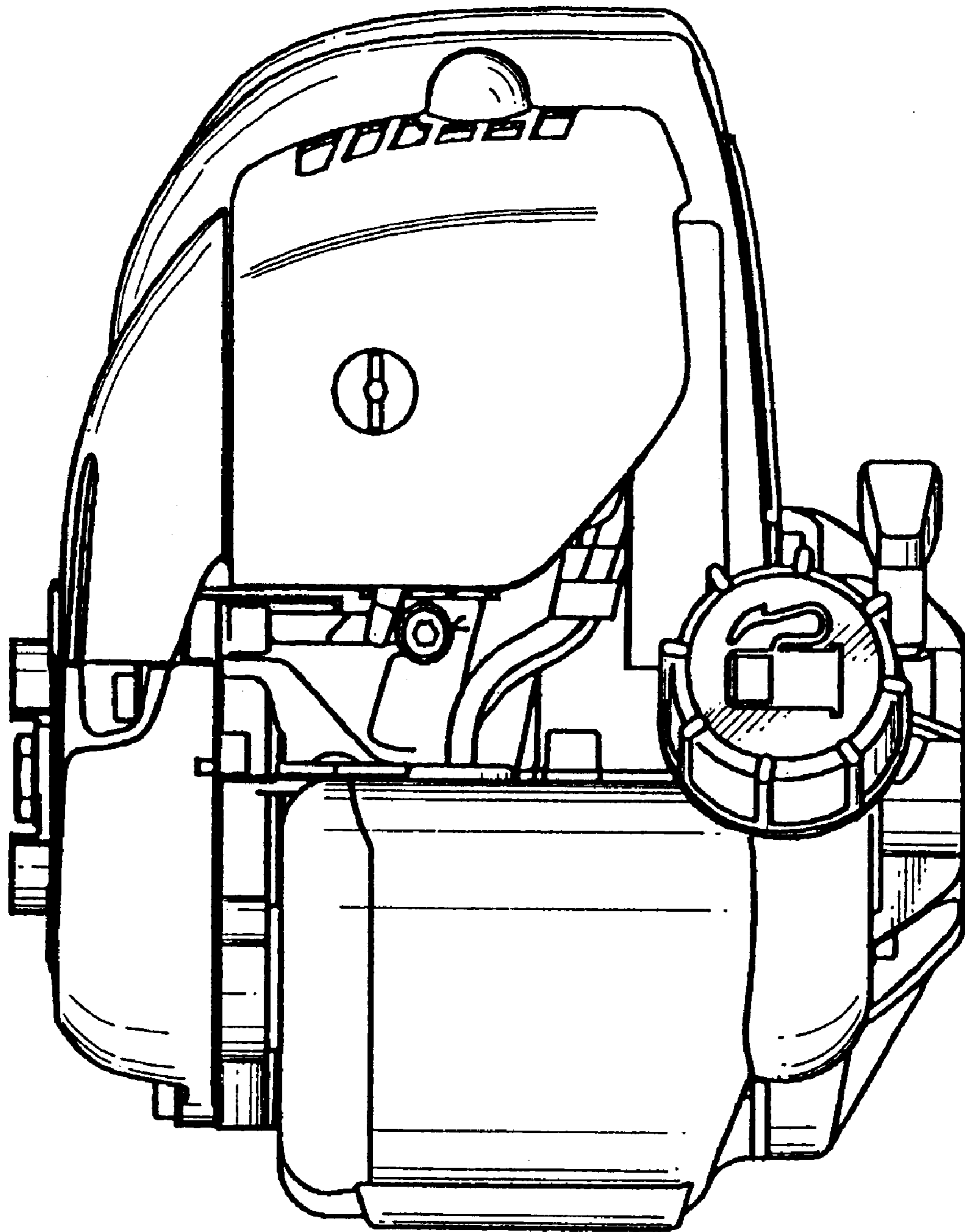


FIG. 6

