



US00D453519S

(12) **United States Design Patent**
Schmidt

(10) **Patent No.:** **US D453,519 S**

(45) **Date of Patent:** **** Feb. 12, 2002**

(54) **GLARE REDUCING HOOD FOR A LAPTOP COMPUTER MONITOR**

5,485,226 A * 1/1996 Chipperfield
D372,907 S * 8/1996 Samborsky
D397,686 S * 9/1998 Bregman et al.
D422,579 S * 4/2000 McBride

(75) Inventor: **Robert P. Schmidt**, Hermosa Beach, CA (US)

* cited by examiner

(73) Assignee: **Hoodman Corporation**, Redondo Beach, CA (US)

Primary Examiner—M. H. Tung
(74) *Attorney, Agent, or Firm*—Fildes & Outland, P.C.

(**) Term: **14 Years**

(57) **CLAIM**

(21) Appl. No.: **29/120,136**

The ornamental design for a glare reducing hood for a laptop computer monitor, as shown and described.

(22) Filed: **Mar. 15, 2000**

DESCRIPTION

(51) **LOC (7) Cl.** **14-02**

(52) **U.S. Cl.** **D14/449**

(58) **Field of Search** D14/432, 439-40,
D14/448-9; 150/154-65; D18/12, 18; 348/832-5;
359/599, 601-10, 614

FIG. 1 is a perspective view of a glare reducing hood for a laptop computer monitor showing my new design;
FIG. 2 is a front elevational view thereof;
FIG. 3 is a side elevational view thereof, the opposite side being a mirror image;
FIG. 4 is a rear elevational view thereof;
FIG. 5 is a top plan view thereof; and,
FIG. 6 is a bottom plan view thereof.

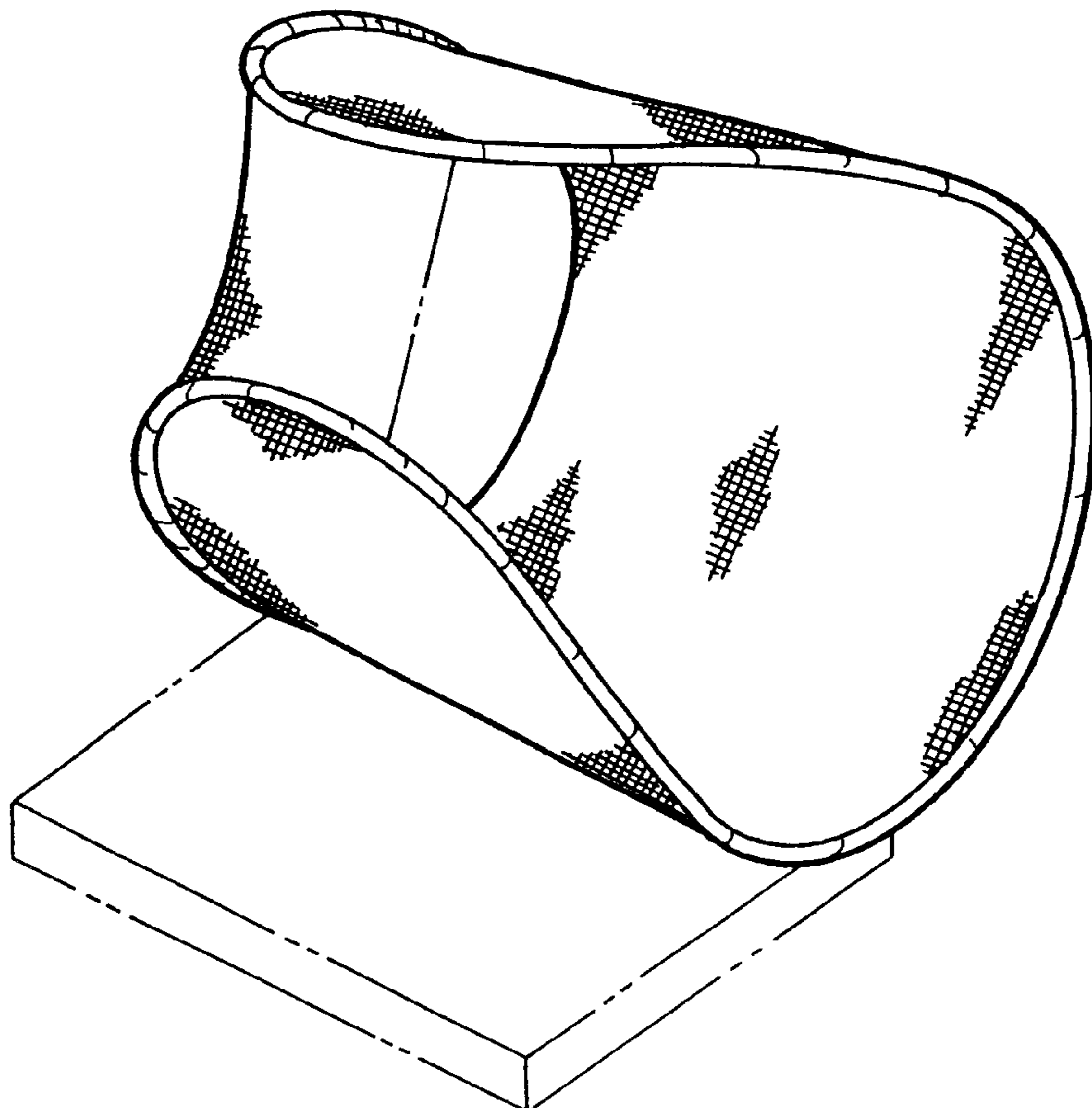
(56) **References Cited**

U.S. PATENT DOCUMENTS

- 3,733,436 A * 5/1973 Rose
- 3,849,598 A * 11/1974 Hoffberger, II et al.
- D311,912 S * 11/1990 Schmidt
- D337,591 S * 7/1993 Buhyoff
- 5,237,453 A * 8/1993 Jones

The broken line drawing of a laptop computer and monitor in all views is for illustrative purposes only and forms no part of the claimed design.

1 Claim, 2 Drawing Sheets



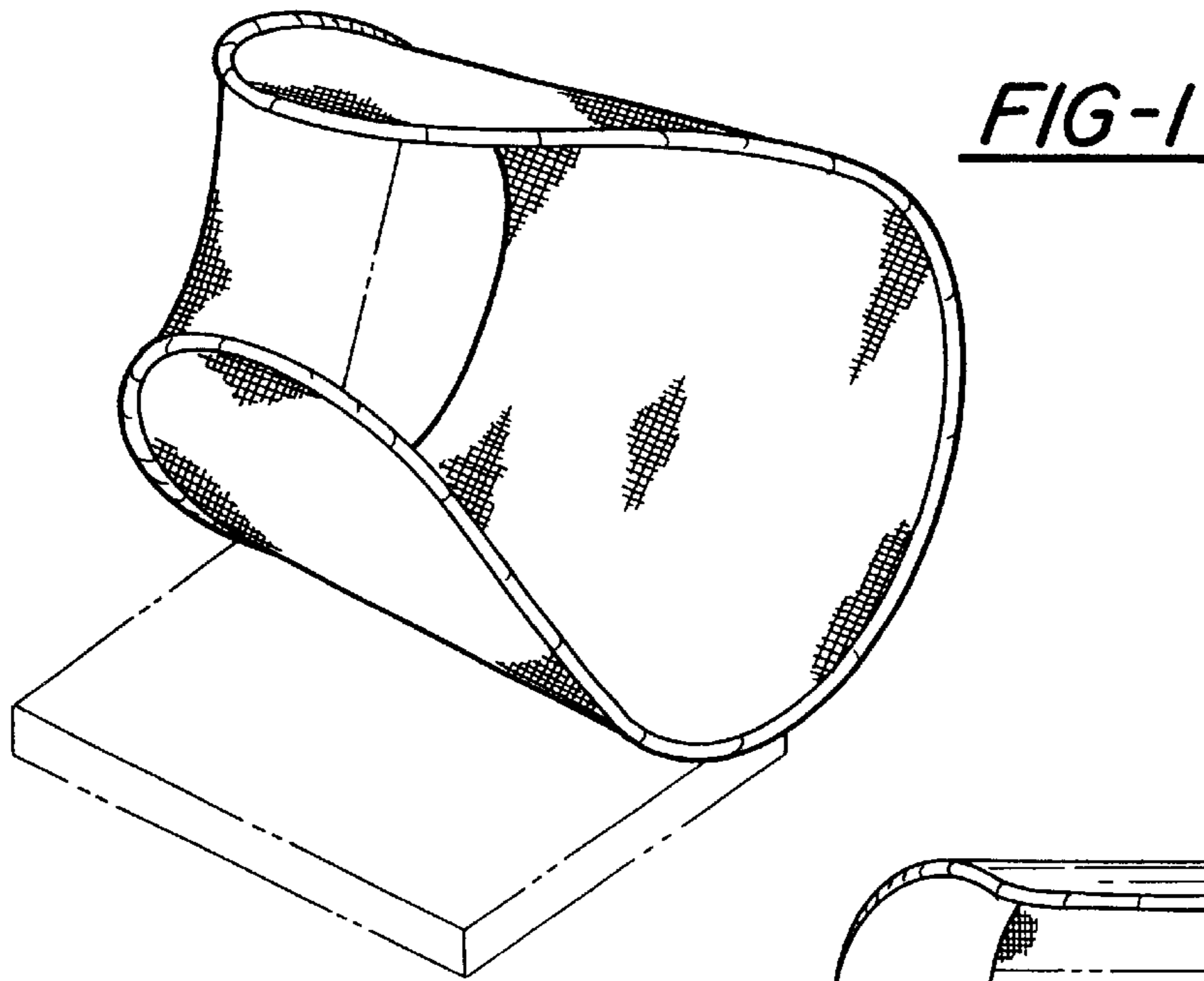
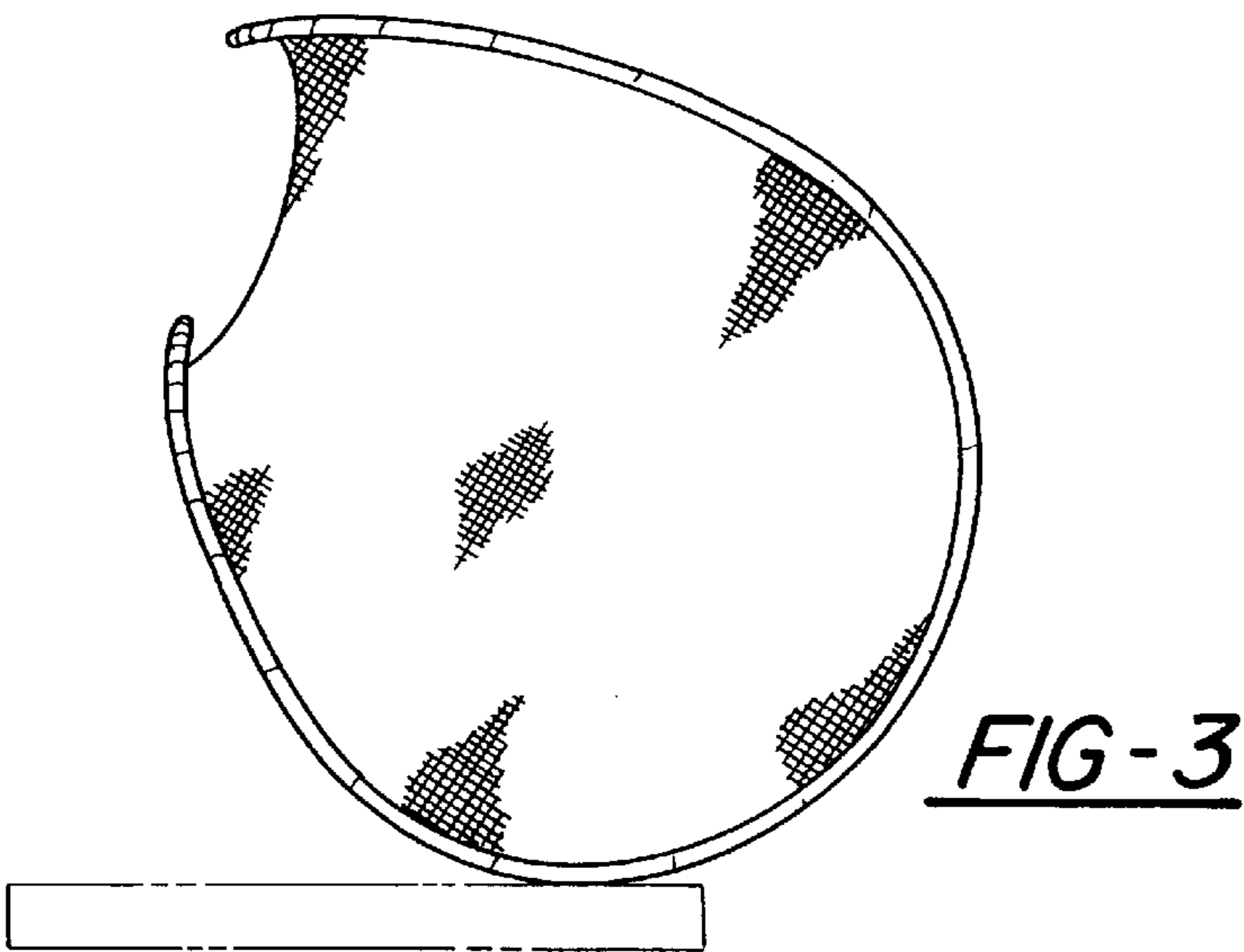
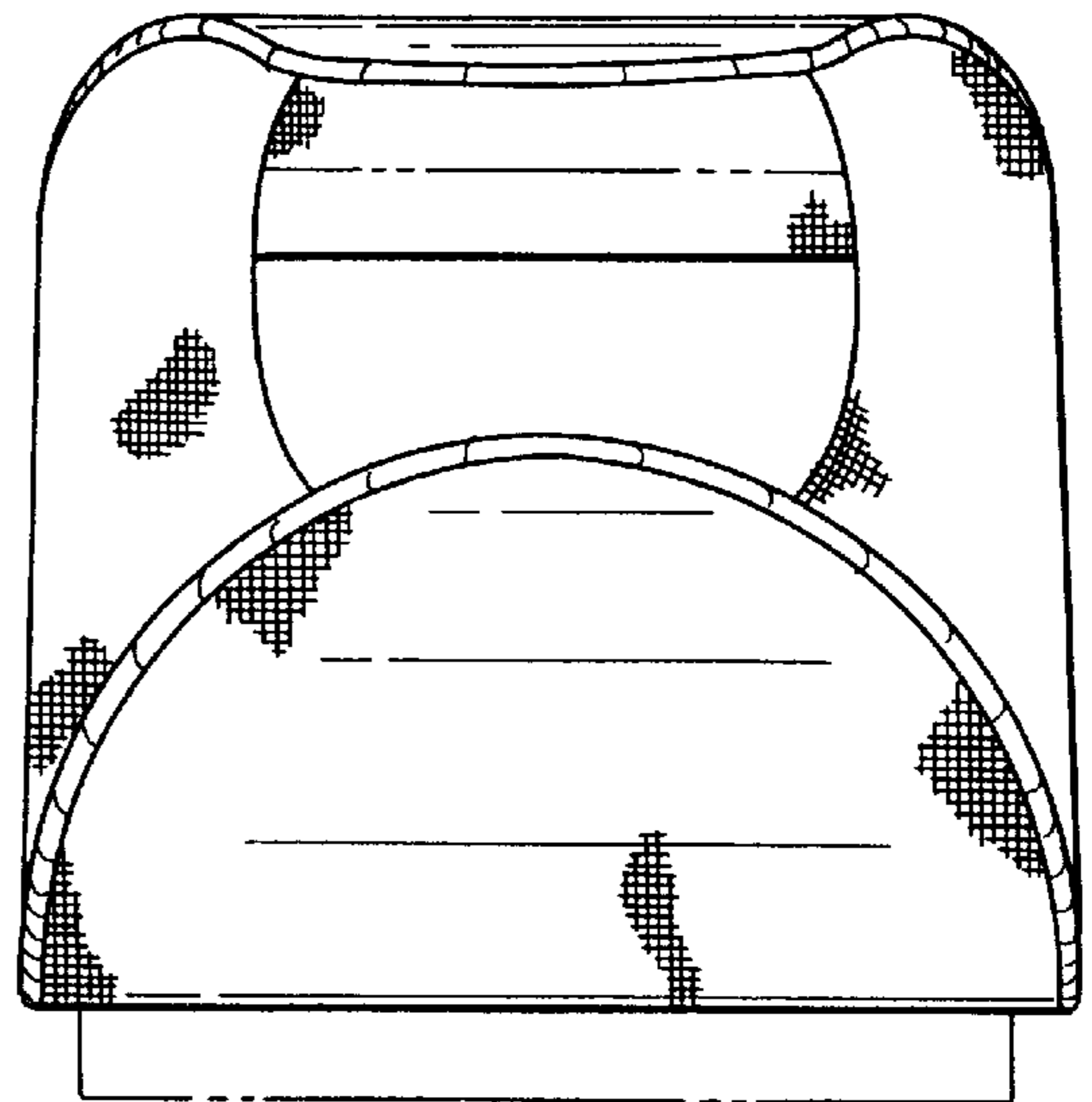


FIG-2



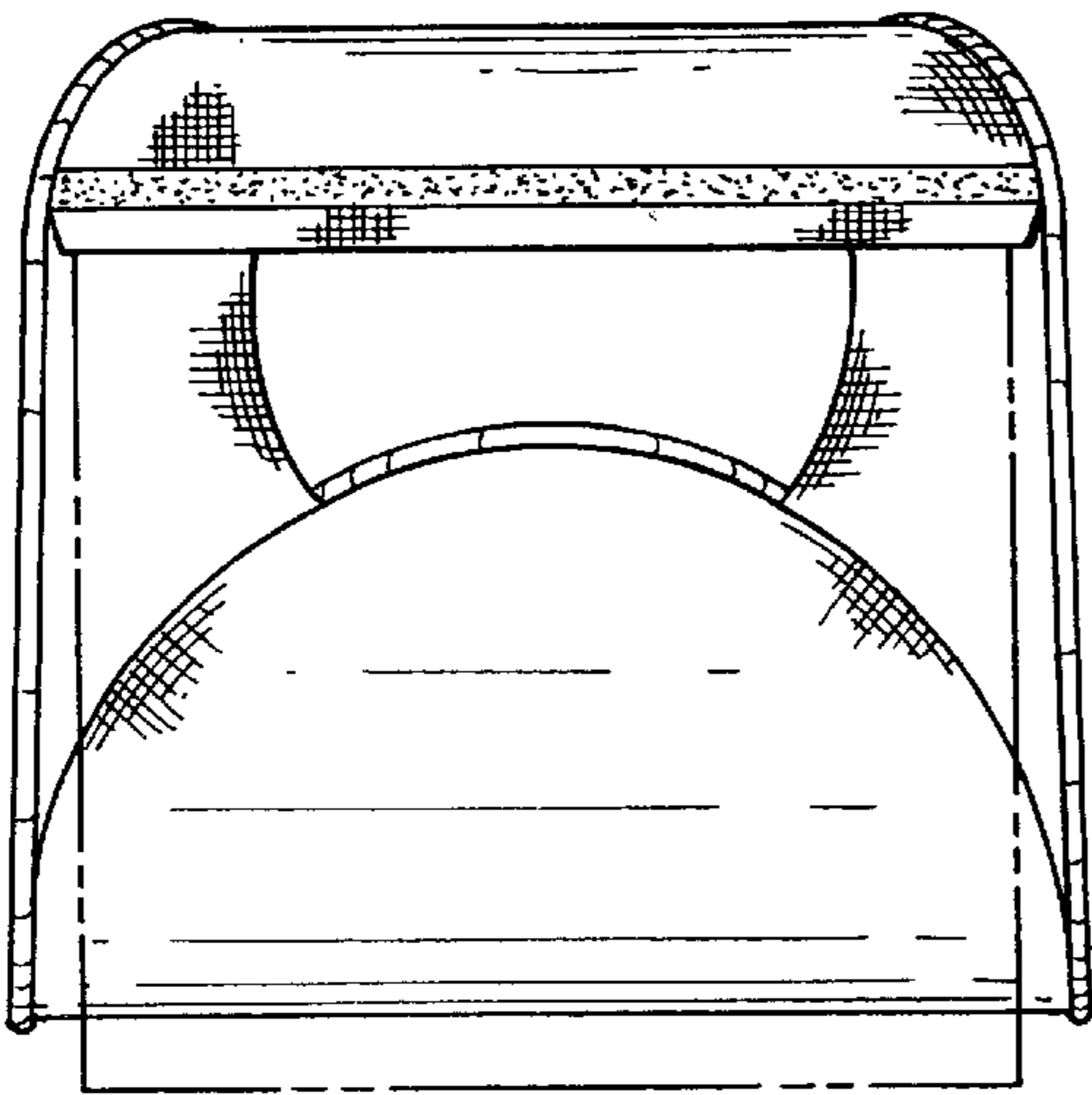


FIG-4

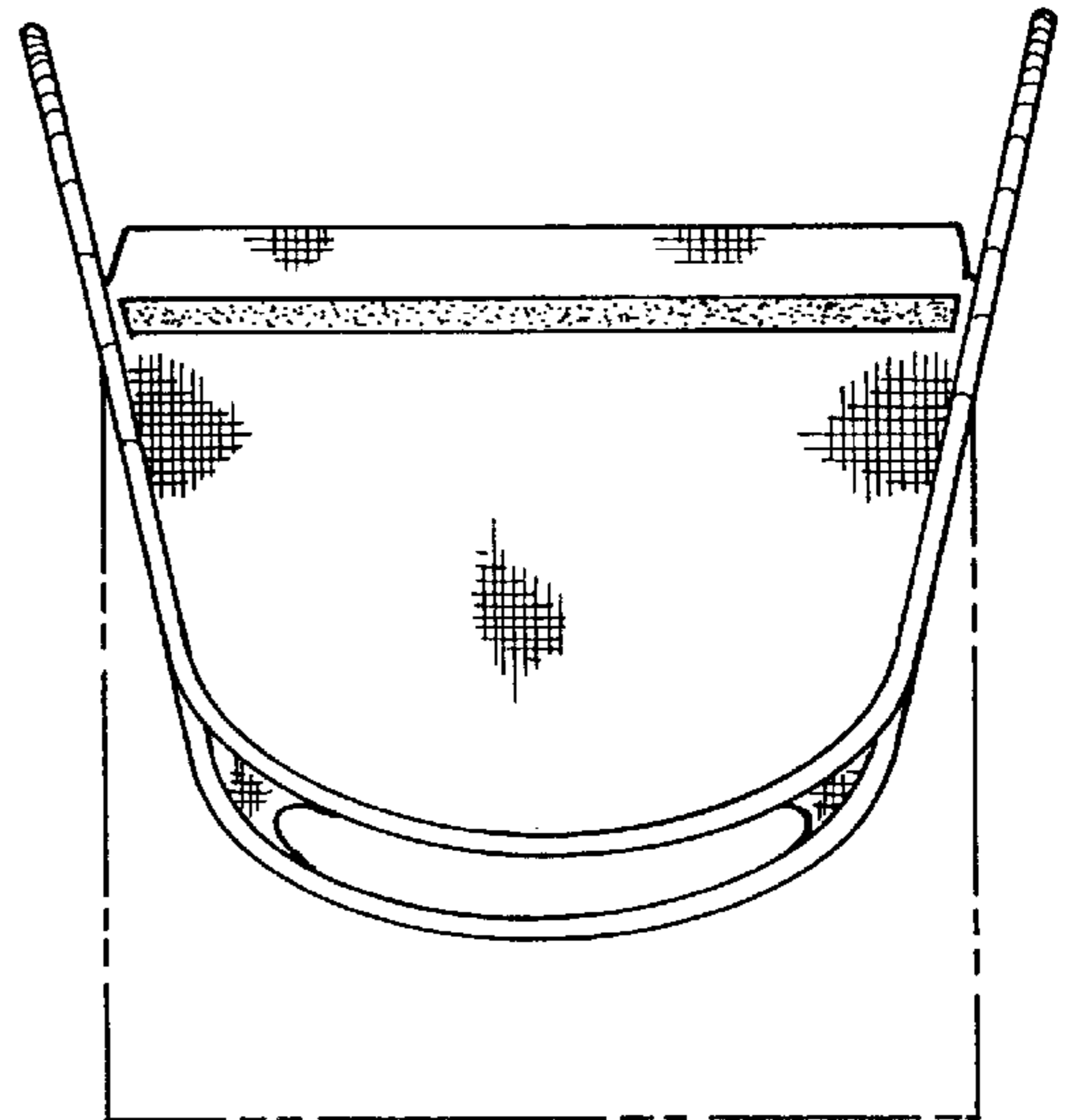


FIG-5

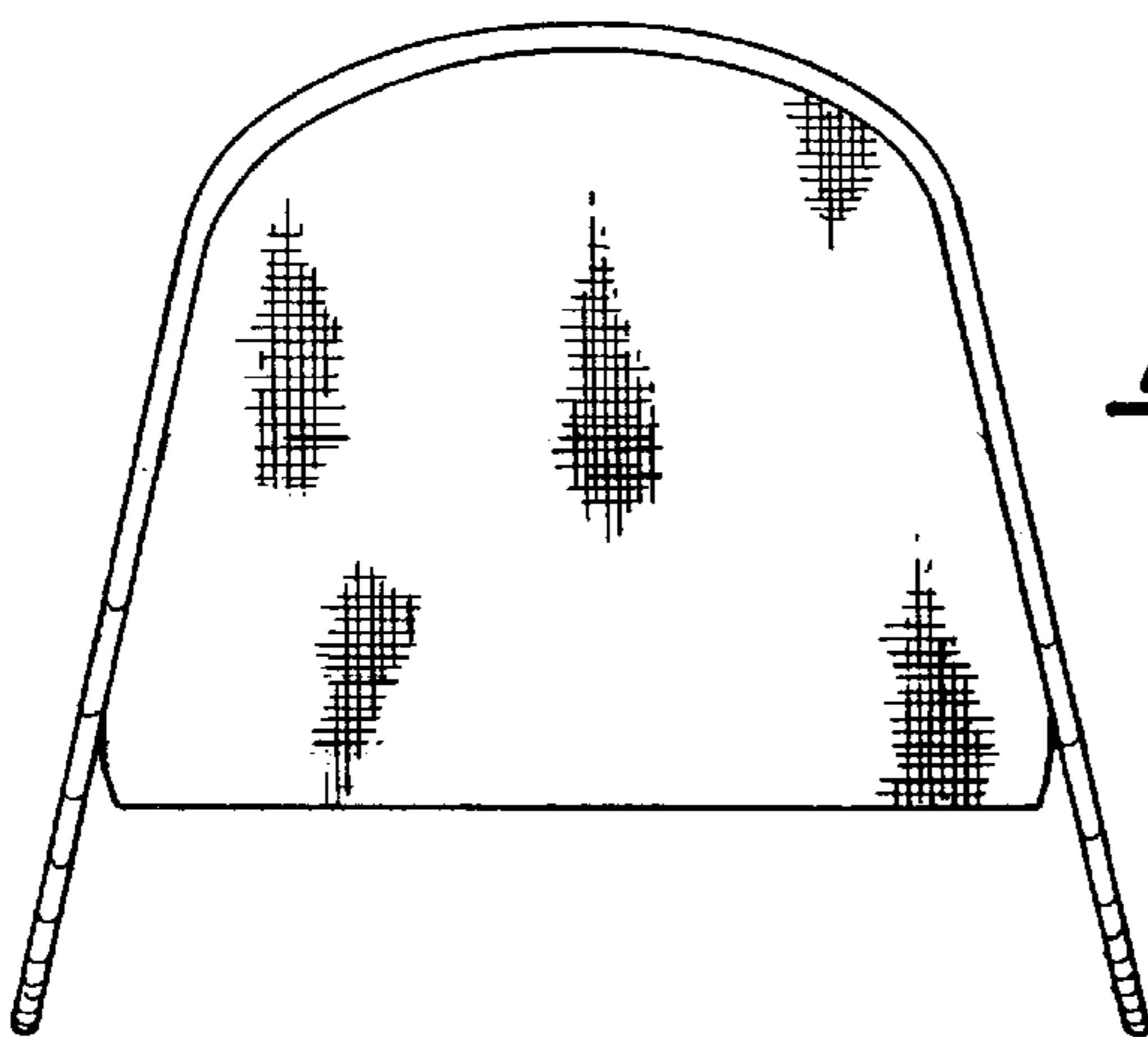


FIG-6