



US00D453514S

(12) **United States Design Patent**  
**Elam et al.**

(10) **Patent No.:** **US D453,514 S**

(45) **Date of Patent:** **\*\* Feb. 12, 2002**

(54) **BAR-CODE READER FOR A MOBILE PHONE**

D420,657 S \* 2/2000 Keen et al. .... D14/420  
D426,240 S \* 6/2000 Senda ..... D14/420  
D432,539 S \* 10/2000 Philyaw ..... D14/426

(75) Inventors: **Gunilla Elam; Lennart Thålin**, both of Stockholm (SE)

\* cited by examiner

(73) Assignee: **Connect Things Sweden AB**, Stockholm (SE)

*Primary Examiner*—Kay H. Chin  
(74) *Attorney, Agent, or Firm*—Young & Thompson

(\*\*) Term: **14 Years**

(57) **CLAIM**

(21) Appl. No.: **29/134,394**

The ornamental design for a bar-code reader for a mobile phone, as shown.

(22) Filed: **Dec. 21, 2000**

(30) **Foreign Application Priority Data**

**DESCRIPTION**

Jun. 22, 2000 (SE) ..... 00-1139

FIG. 1 is a top and left side perspective view of a bar-code reader for a mobile phone, showing our new design;  
FIG. 2 is a top and right side perspective view thereof;  
FIG. 3 is a rear elevational view thereof;  
FIG. 4 is a front elevational view thereof;  
FIG. 5 is a right side elevational view thereof;  
FIG. 6 is a left side elevational view thereof;  
FIG. 7 is a bottom plan view thereof; and,  
FIG. 8 is a top plan view thereof.

(51) **LOC (7) Cl.** ..... **14-02**

(52) **U.S. Cl.** ..... **D14/420**

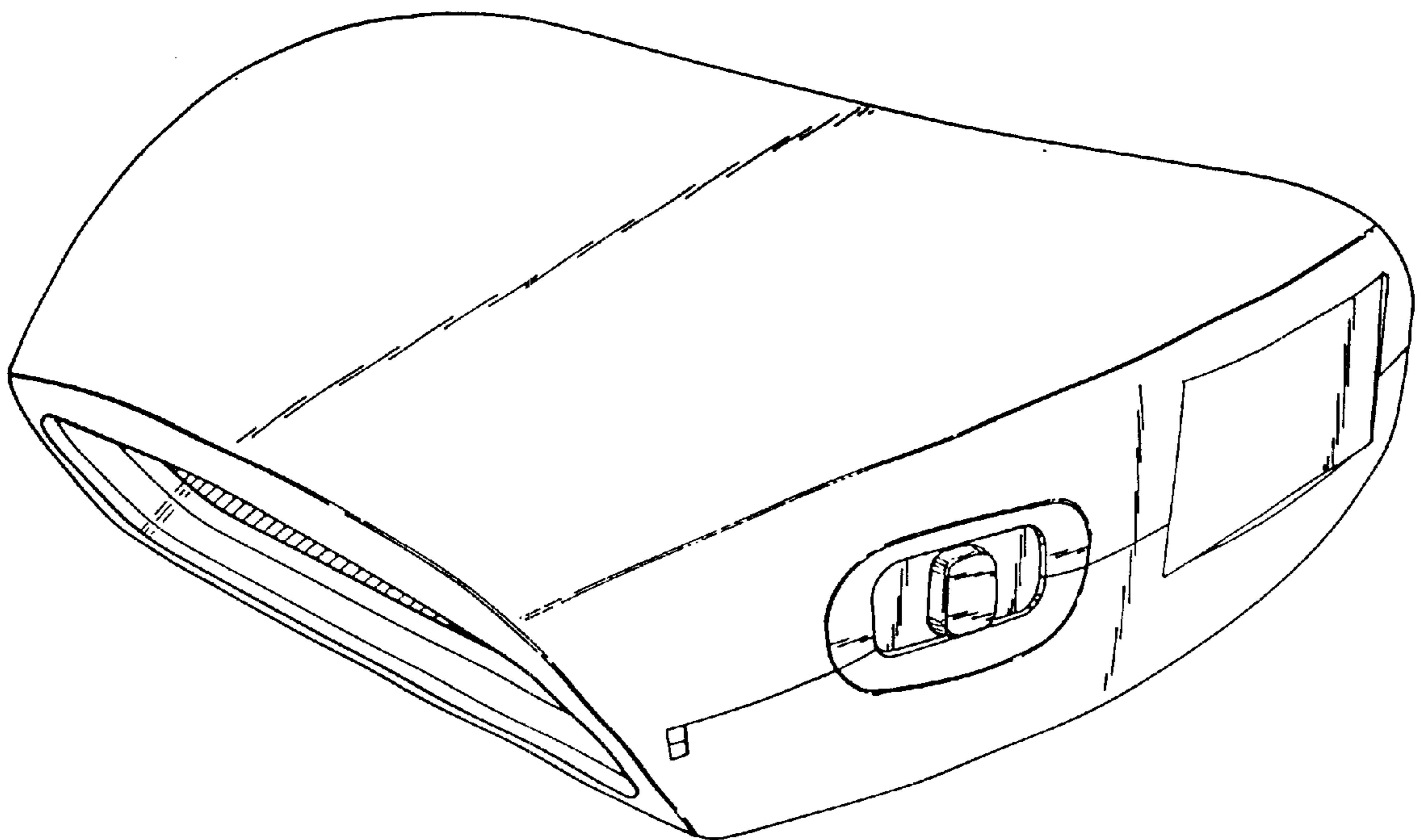
(58) **Field of Search** ..... D14/420-431,  
D14/409; D19/41-51; 235/375, 378, 385,  
454, 462.02, 486; 382/312-315, 318, 319,  
321; 250/203.1, 216; D26/371, 45, 50

(56) **References Cited**

**U.S. PATENT DOCUMENTS**

D408,806 S \* 4/1999 Schmidt et al. .... D14/420

**1 Claim, 4 Drawing Sheets**



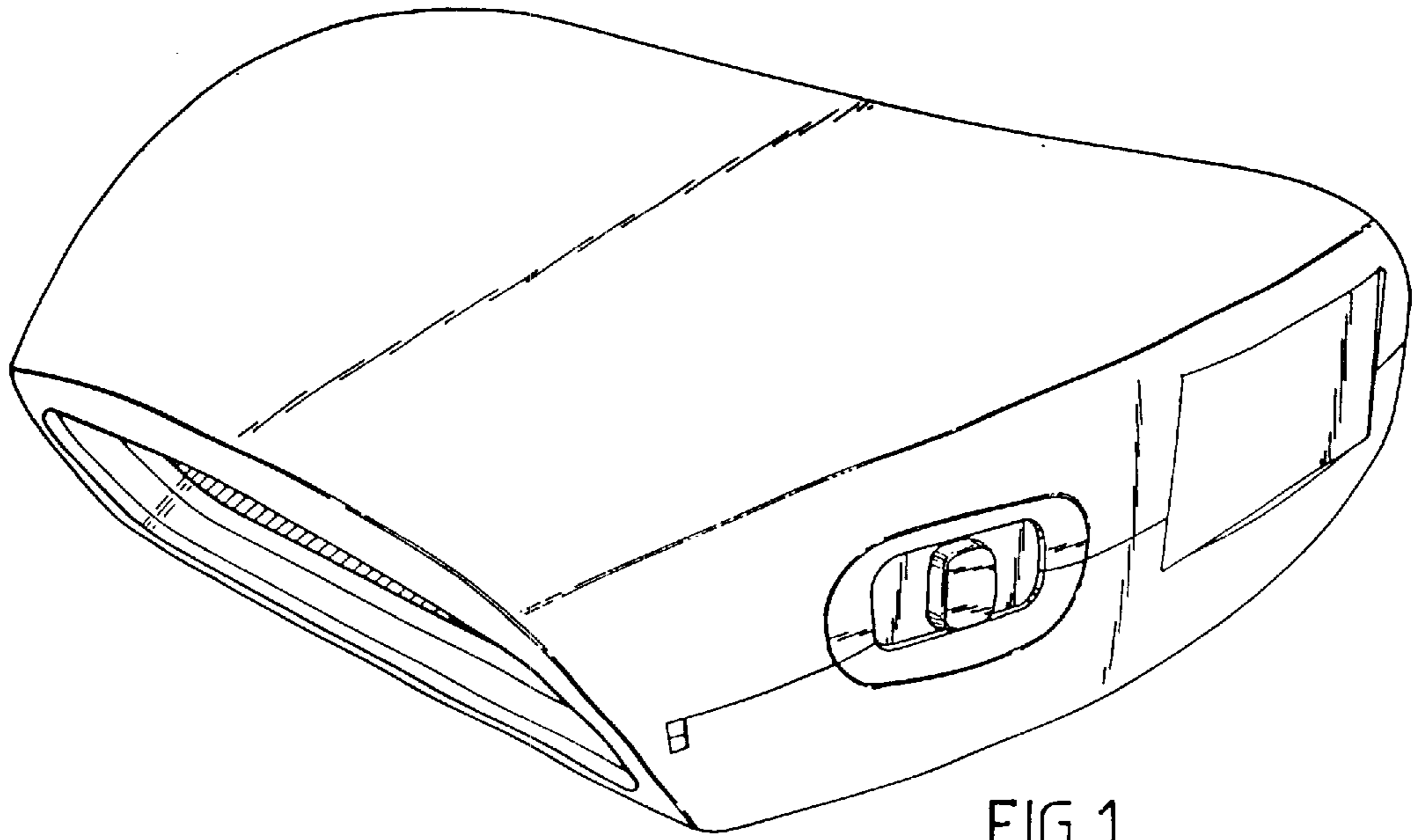


FIG. 1

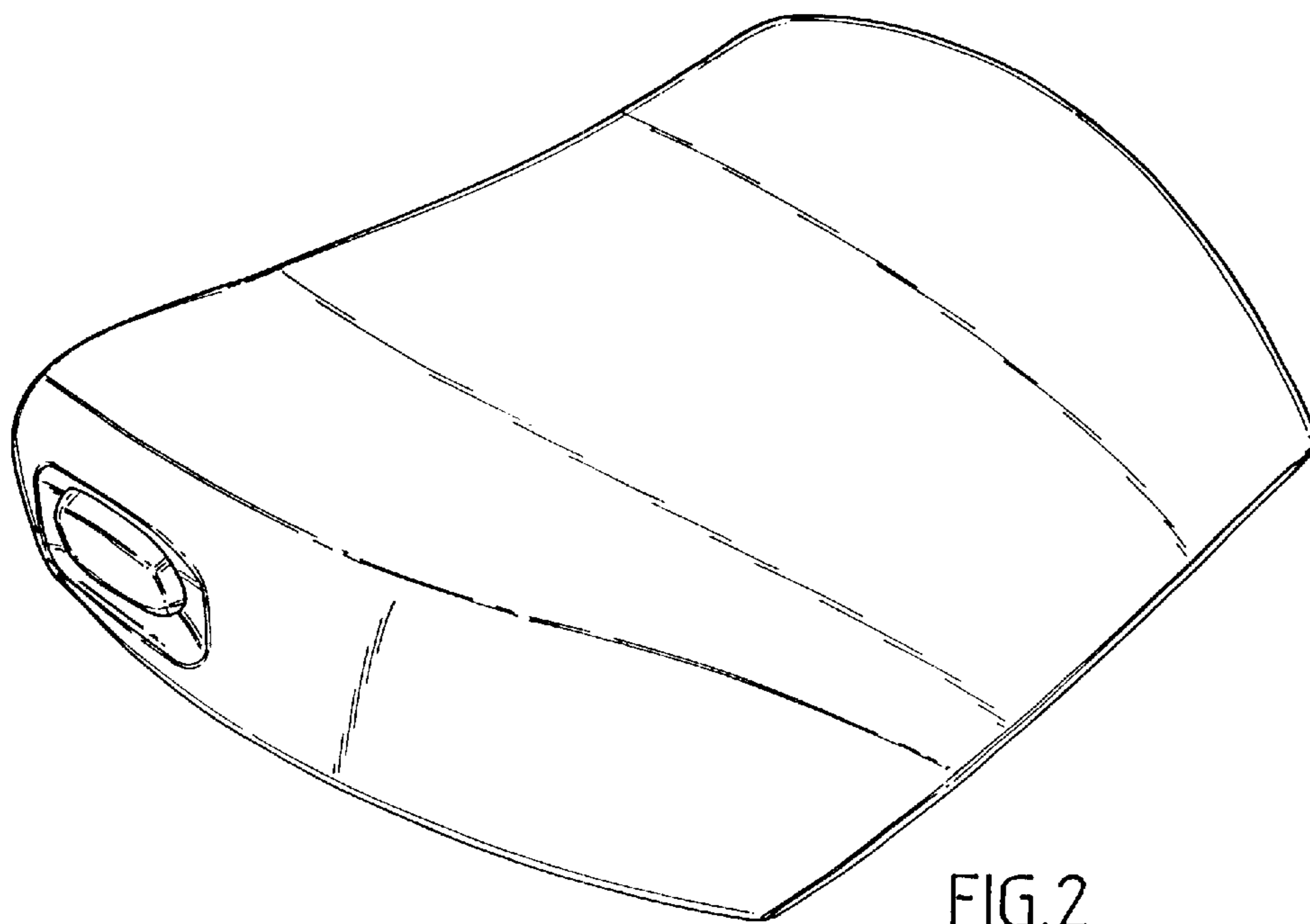


FIG. 2

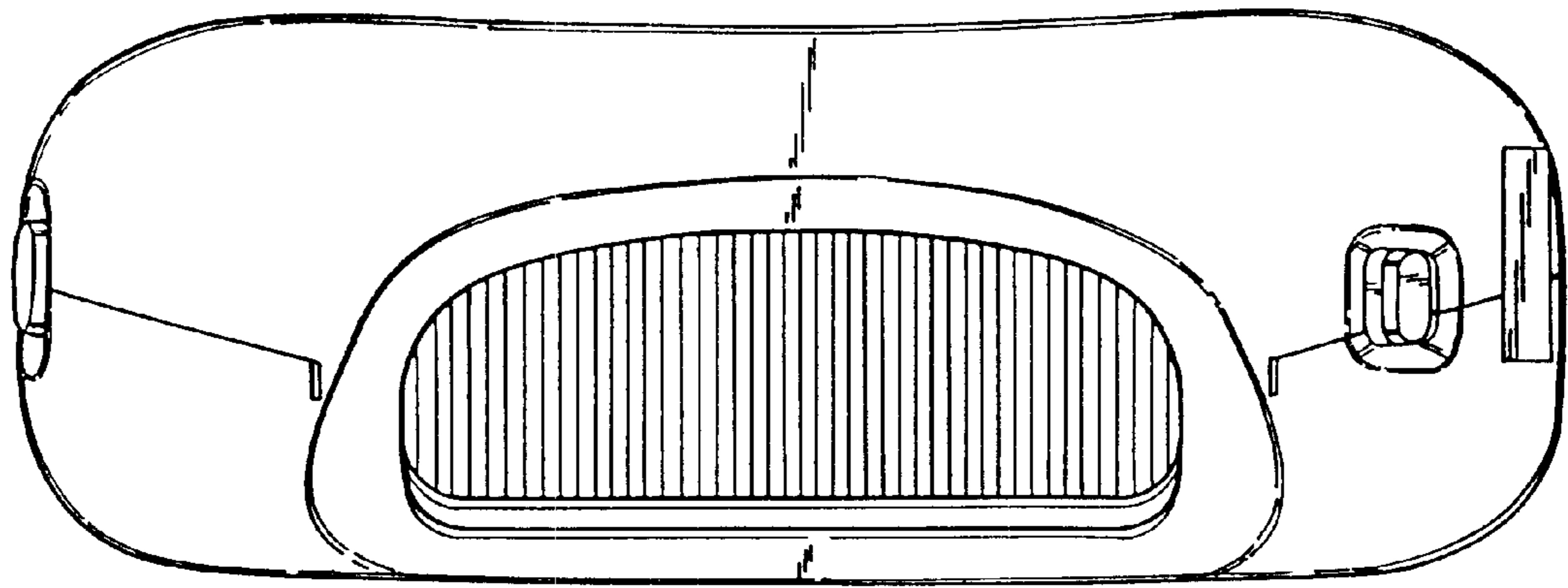


FIG.3

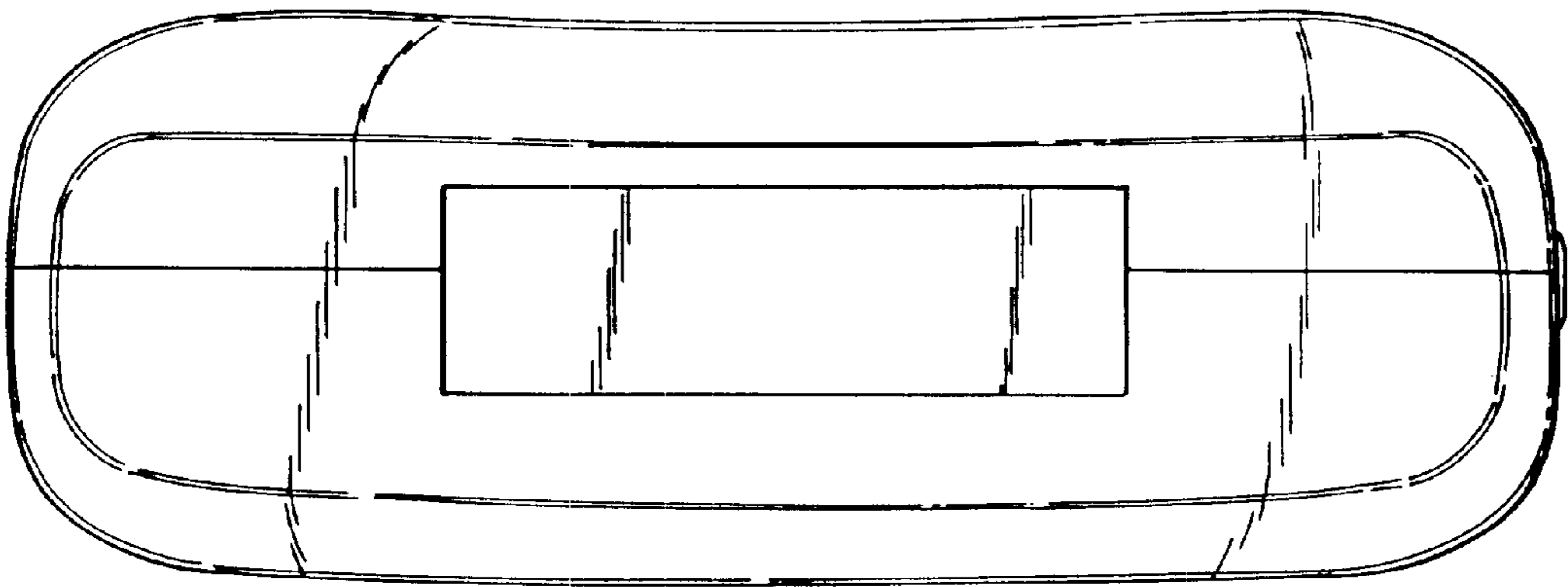


FIG.4

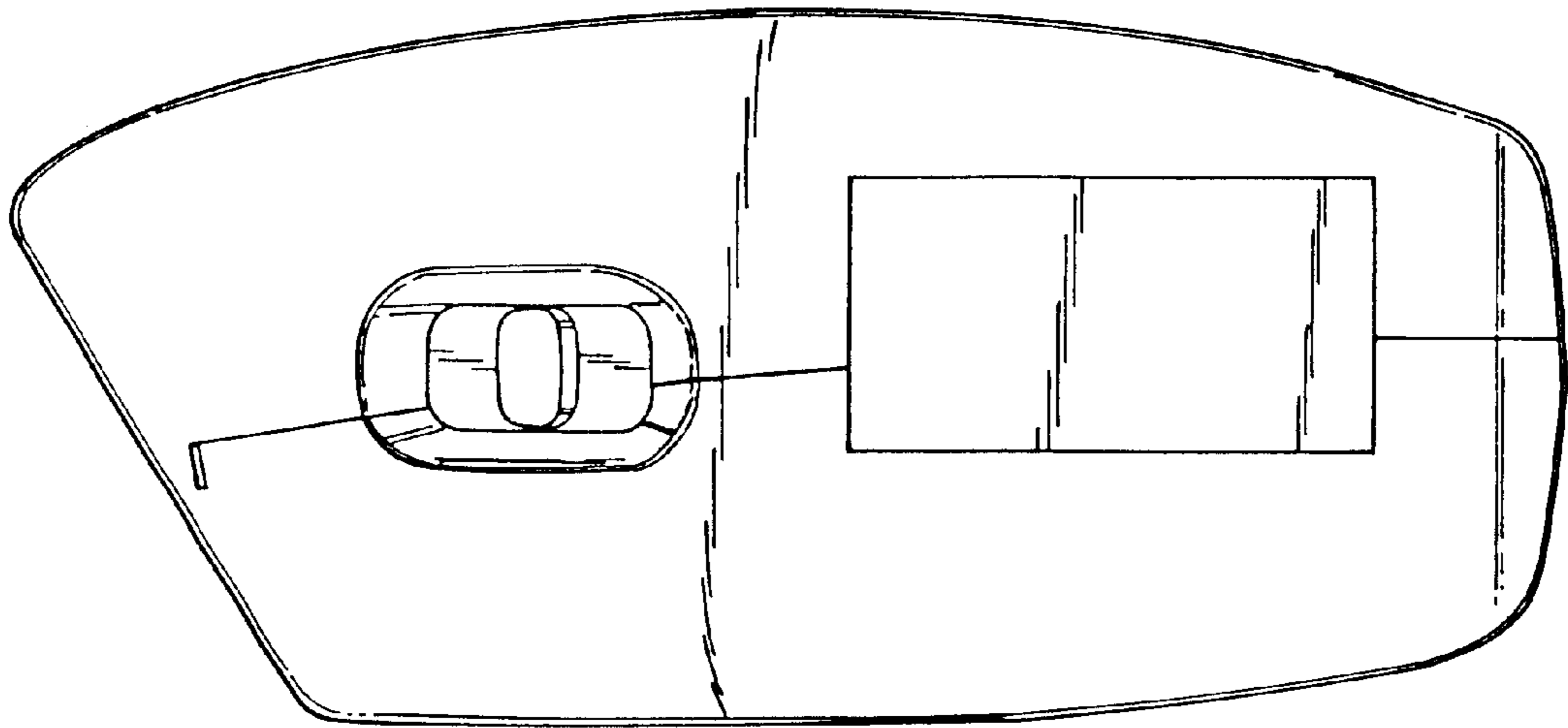


FIG. 5

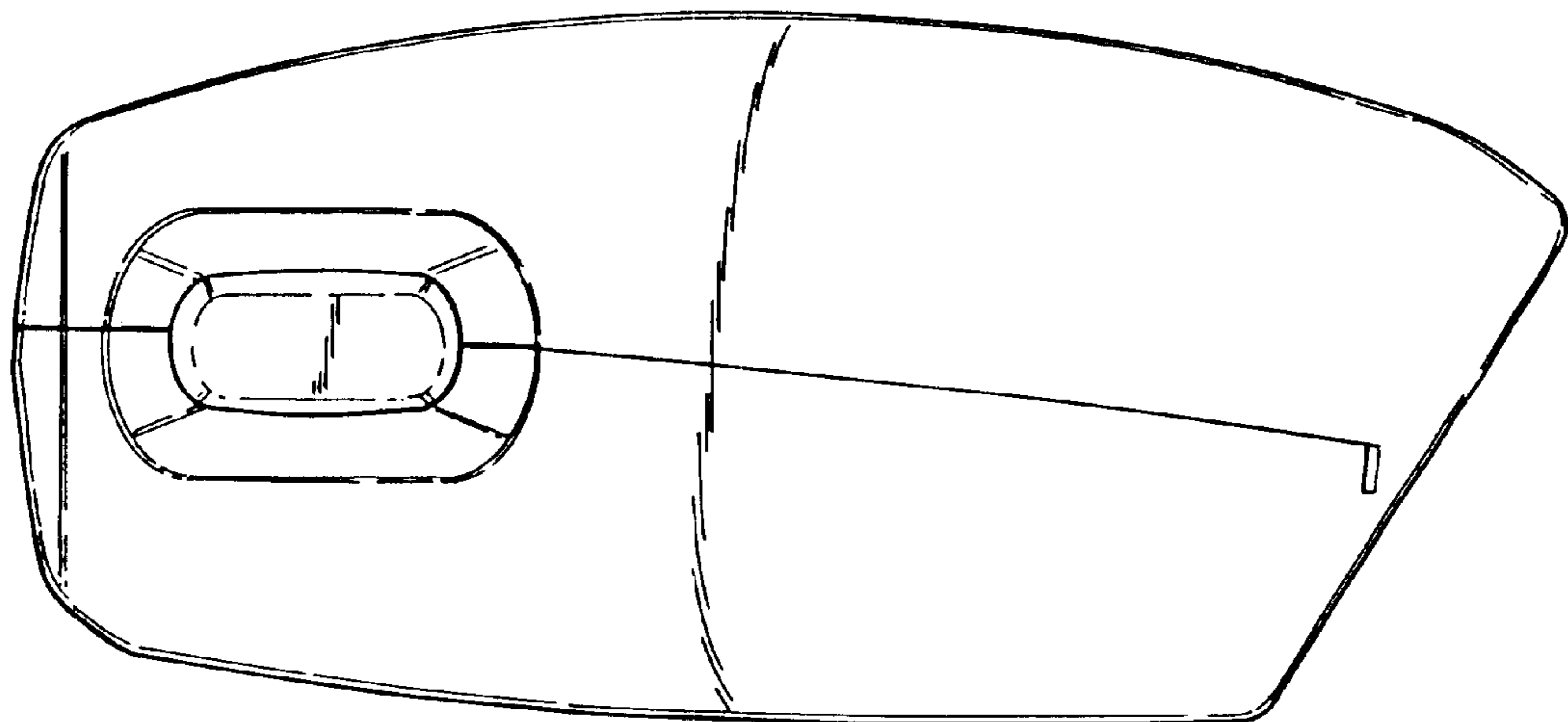


FIG. 6

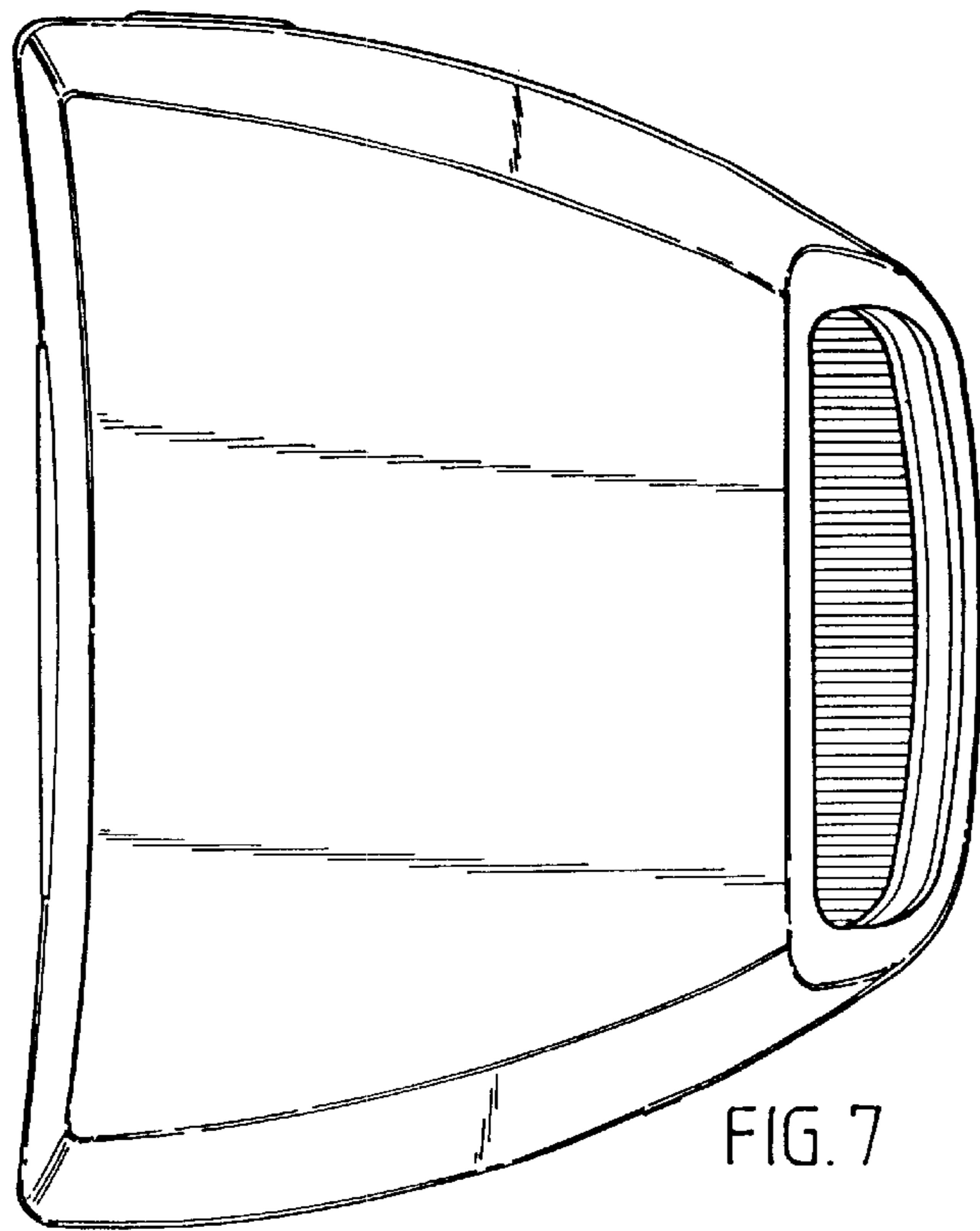


FIG. 7

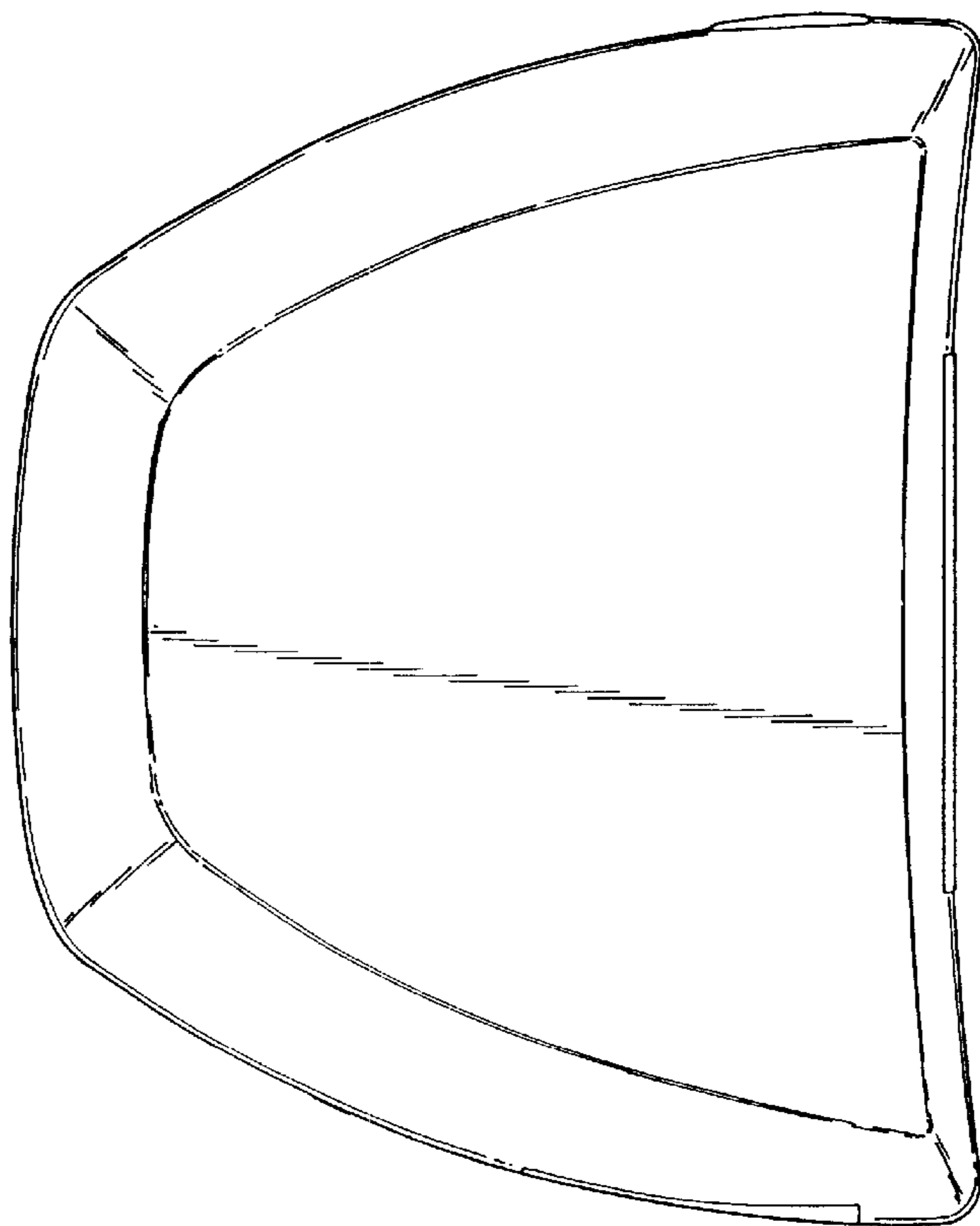


FIG. 8