



US00D453512S

(12) **United States Design Patent**  
**Campagna**

(10) **Patent No.:** **US D453,512 S**

(45) **Date of Patent:** **\*\* Feb. 12, 2002**

(54) **CARD READER WITH SUPPORT POST**

(75) Inventor: **Barry Campagna**, Oak Park, MI (US)

(73) Assignee: **Camco-North American Corporation**,  
Ferndale, MI (US)

(\*\*) Term: **14 Years**

(21) Appl. No.: **29/134,101**

(22) Filed: **Dec. 13, 2000**

(51) **LOC (7) Cl.** ..... **14-02**

(52) **U.S. Cl.** ..... **D14/385**

(58) **Field of Search** ..... D14/383-385;  
250/556; 235/454, 380, 382, 382.5; 355/64,  
65, 75, 81

(56) **References Cited**

**U.S. PATENT DOCUMENTS**

D340,036 S	*	10/1993	Connors et al.	.....	D14/385
D386,479 S	*	11/1997	Lassmann et al.	.....	D14/385
D390,836 S	*	2/1998	Takahashi	.....	D14/385
D422,578 S	*	4/2000	Bertrand et al.	.....	D14/385

\* cited by examiner

*Primary Examiner*—Freda Nunn

(74) *Attorney, Agent, or Firm*—Gifford, Krass, Groh,  
Sprinkle, Anderson & Citkowski, P.C.

(57) **CLAIM**

I claim the ornamental design for a card reader with support post, as shown and described.

**DESCRIPTION**

FIG. 1 is a perspective view of a card reader with support post showing my new design;

FIG. 2 is a front view thereof;

FIG. 3 is a rear view thereof;

FIG. 4 is a left side view thereof;

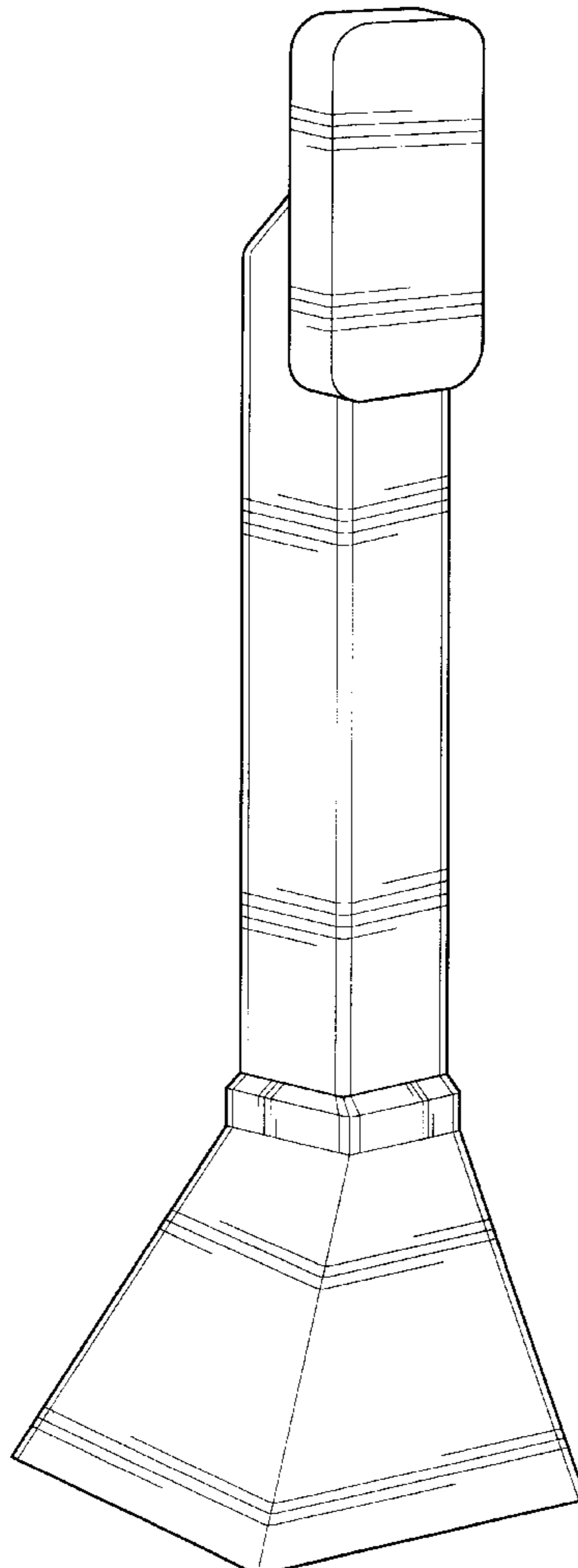
FIG. 5 is a right side view thereof;

FIG. 6 is a top view thereof; and,

FIG. 7 is a bottom view thereof.

The broken lines are shown in the views for illustrative purposes only and form no part of the claimed design.

**1 Claim, 3 Drawing Sheets**



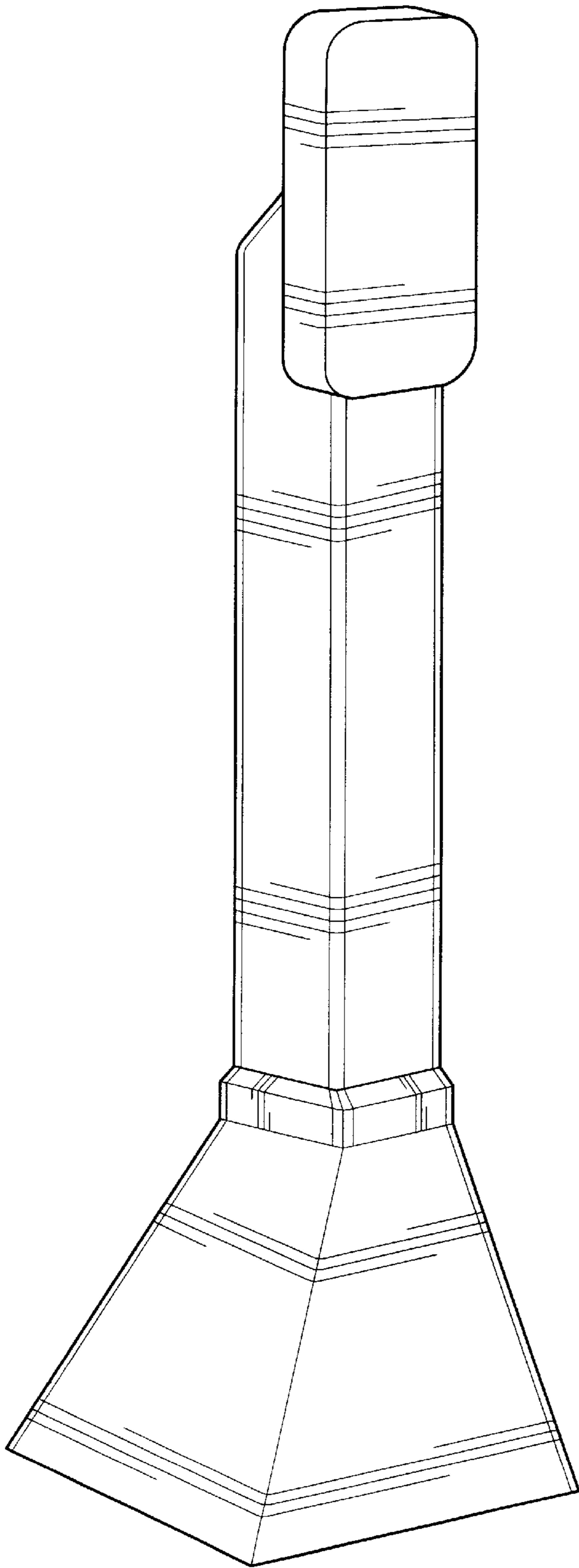


Fig-1

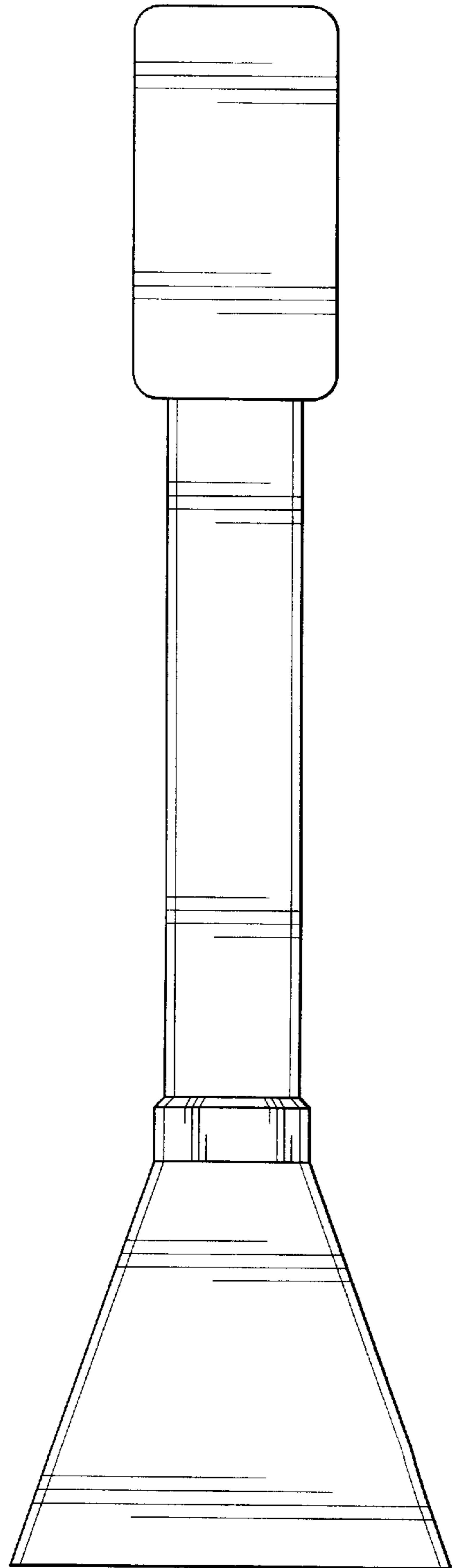


Fig-2

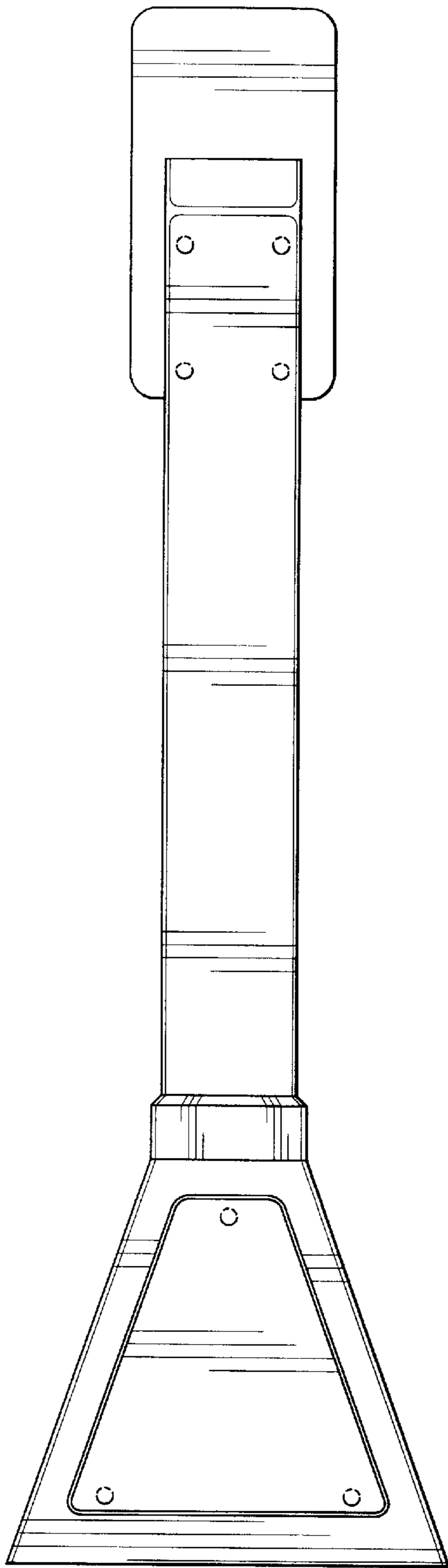


Fig-3

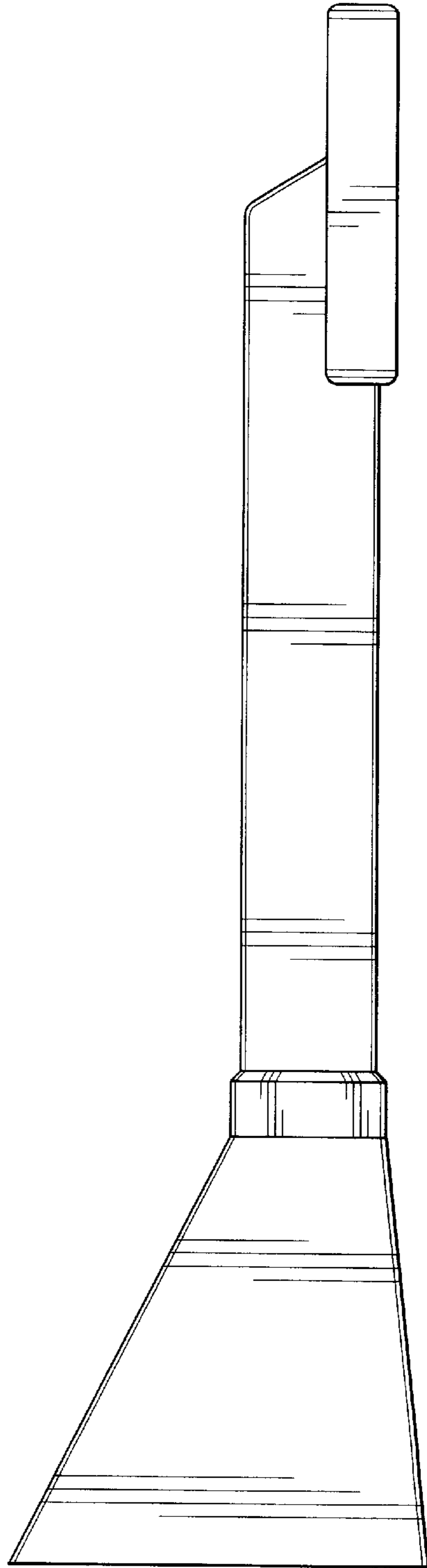


Fig-4

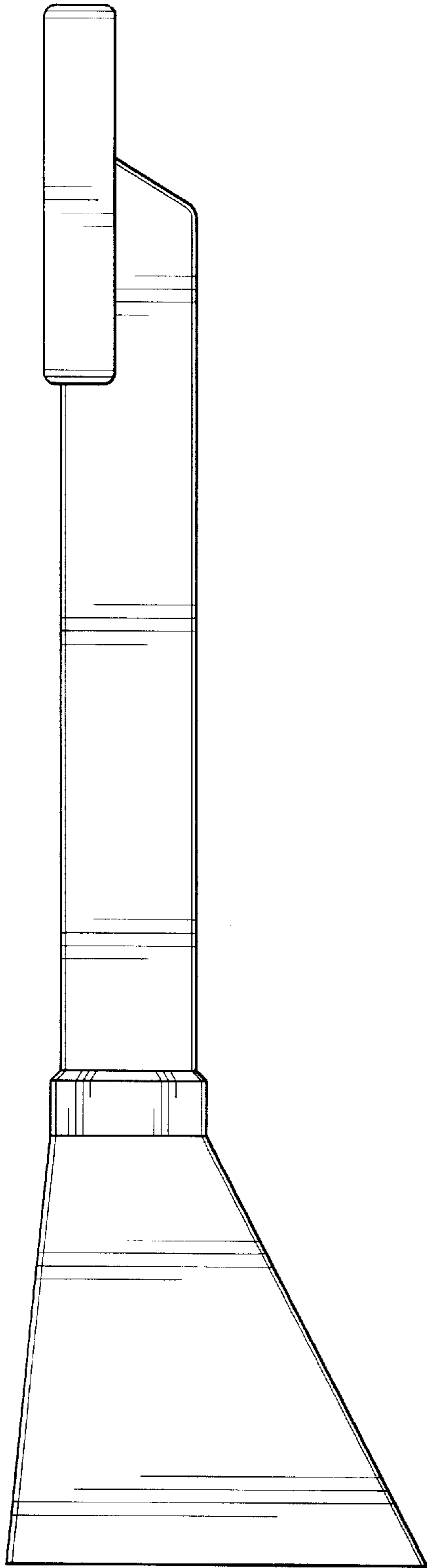


Fig-5

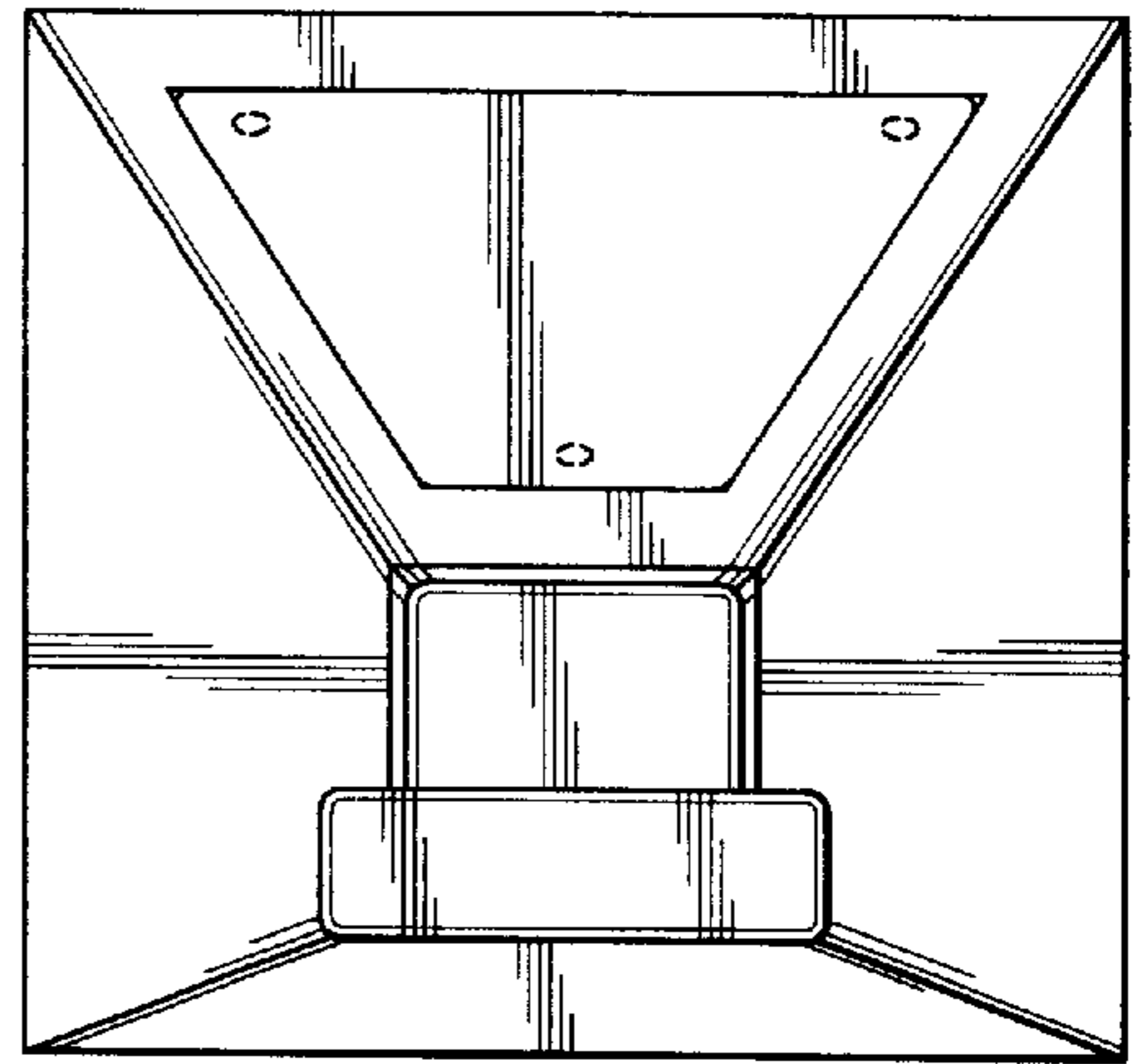


Fig-6

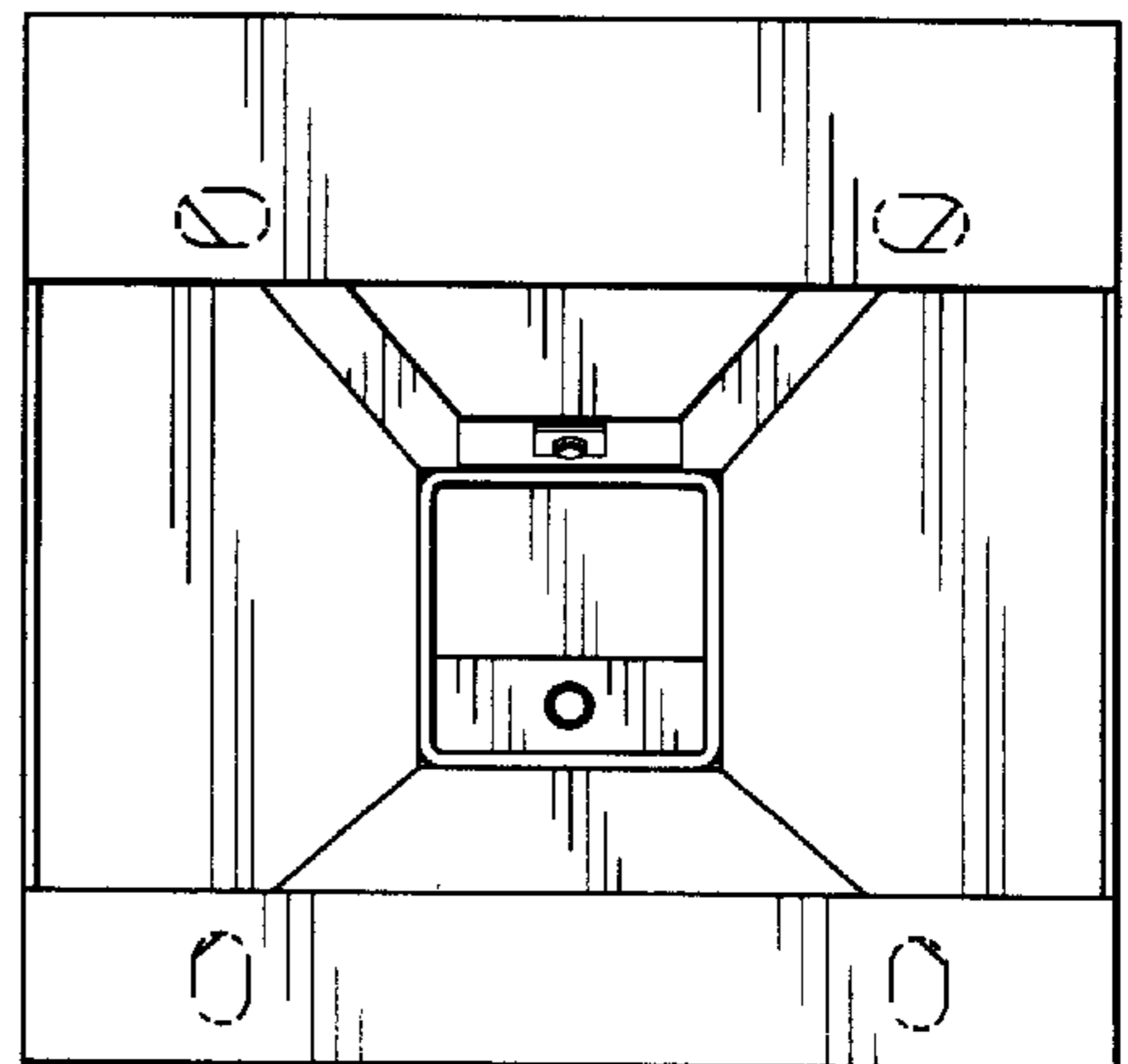


Fig-7