



US00D453509S

(12) **United States Design Patent**
Kazamaki

(10) **Patent No.:** **US D453,509 S**

(45) **Date of Patent:** **** Feb. 12, 2002**

(54) **INTERNET APPLIANCE**

(75) **Inventor:** **Yutaka Kazamaki**, Dakota Dunes, SD
(US)

(73) **Assignee:** **Gateway, Inc.**, North Sioux City, SD
(US)

(**) **Term:** **14 Years**

(21) **Appl. No.:** **29/134,907**

(22) **Filed:** **Dec. 29, 2000**

(51) **LOC (7) Cl.** **14-02**

(52) **U.S. Cl.** **D14/336; D14/374**

(58) **Field of Search** D14/336, 337,
D14/371, 374, 375, 390, 126-129; 345/104,
133, 156, 168, 173, 87; 348/180, 184, 325,
739; 248/918-924; 341/12; 349/1, 2, 11,
62; 70/218; 340/825.52; 709/218, 249,
217, 200, 202

(56) **References Cited**

U.S. PATENT DOCUMENTS

- D349,489 S * 8/1994 Wang D14/375
- 5,572,643 A * 11/1996 Judson 70/218
- D385,857 S * 11/1997 Cohen et al. D14/390

- D407,077 S * 3/1999 Shibata D14/374
- D416,549 S * 11/1999 Coster et al. D14/375
- D417,659 S * 12/1999 Takemasa D14/374
- 6,038,594 A * 3/2000 Puento et al. 709/217
- D432,124 S * 10/2000 Pardikes et al. D14/336

* cited by examiner

Primary Examiner—Freda Nunn

(57) **CLAIM**

The ornamental design for an internet appliance, as shown and described.

DESCRIPTION

FIG. 1 is a perspective view of an internet appliance, showing my new design
FIG. 2 is a front elevational view thereof,
FIG. 3 is a left side elevational view thereof,
FIG. 4 is a top plan view thereof,
FIG. 5 is a right side elevational view thereof,
FIG. 6 is a rear elevational view thereof; and,
FIG. 7 is a bottom plan view thereof.

The logo and other elements are shown in broken lines for illustrative purposes only and form no part of the claimed design.

1 Claim, 2 Drawing Sheets

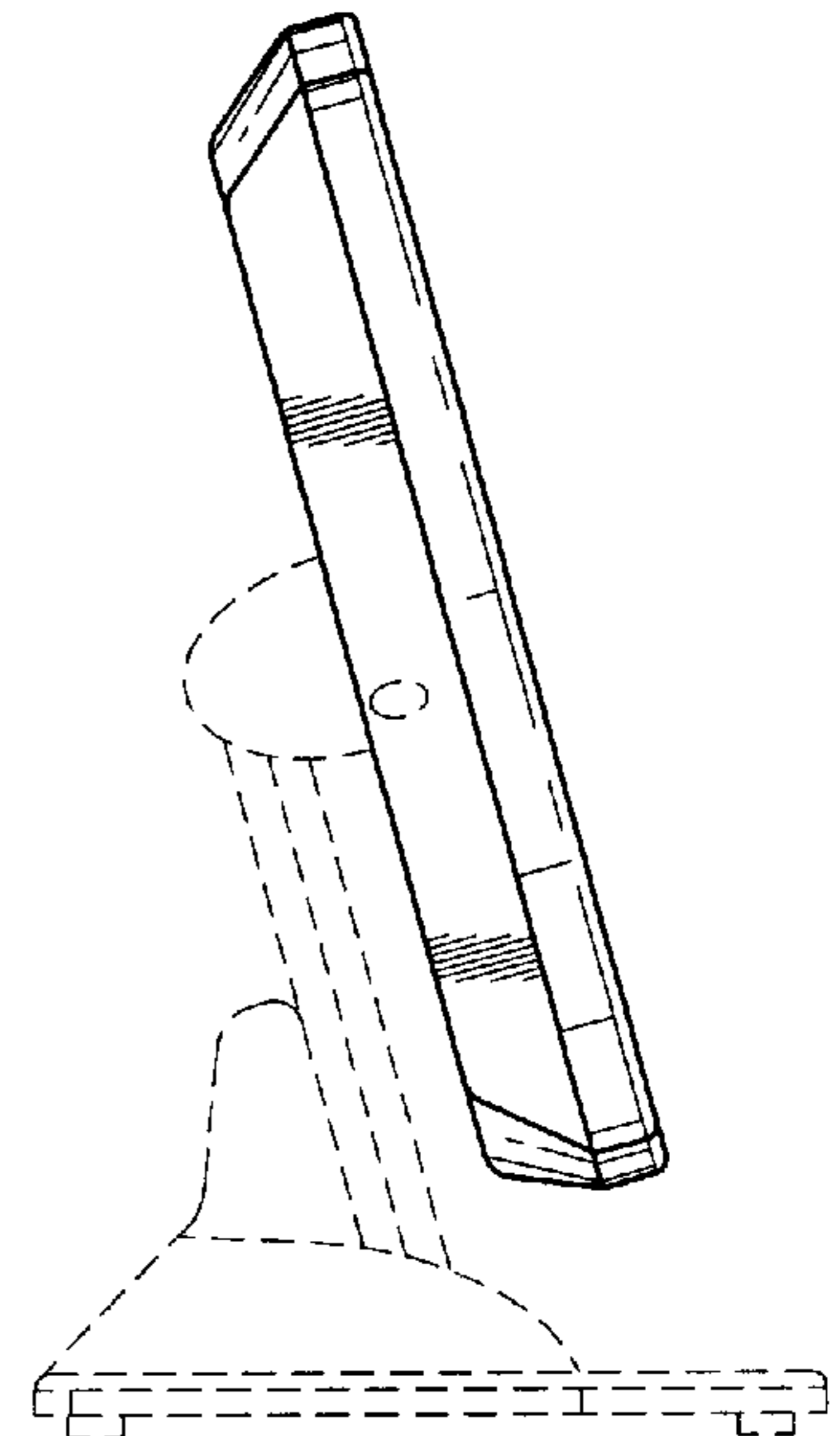
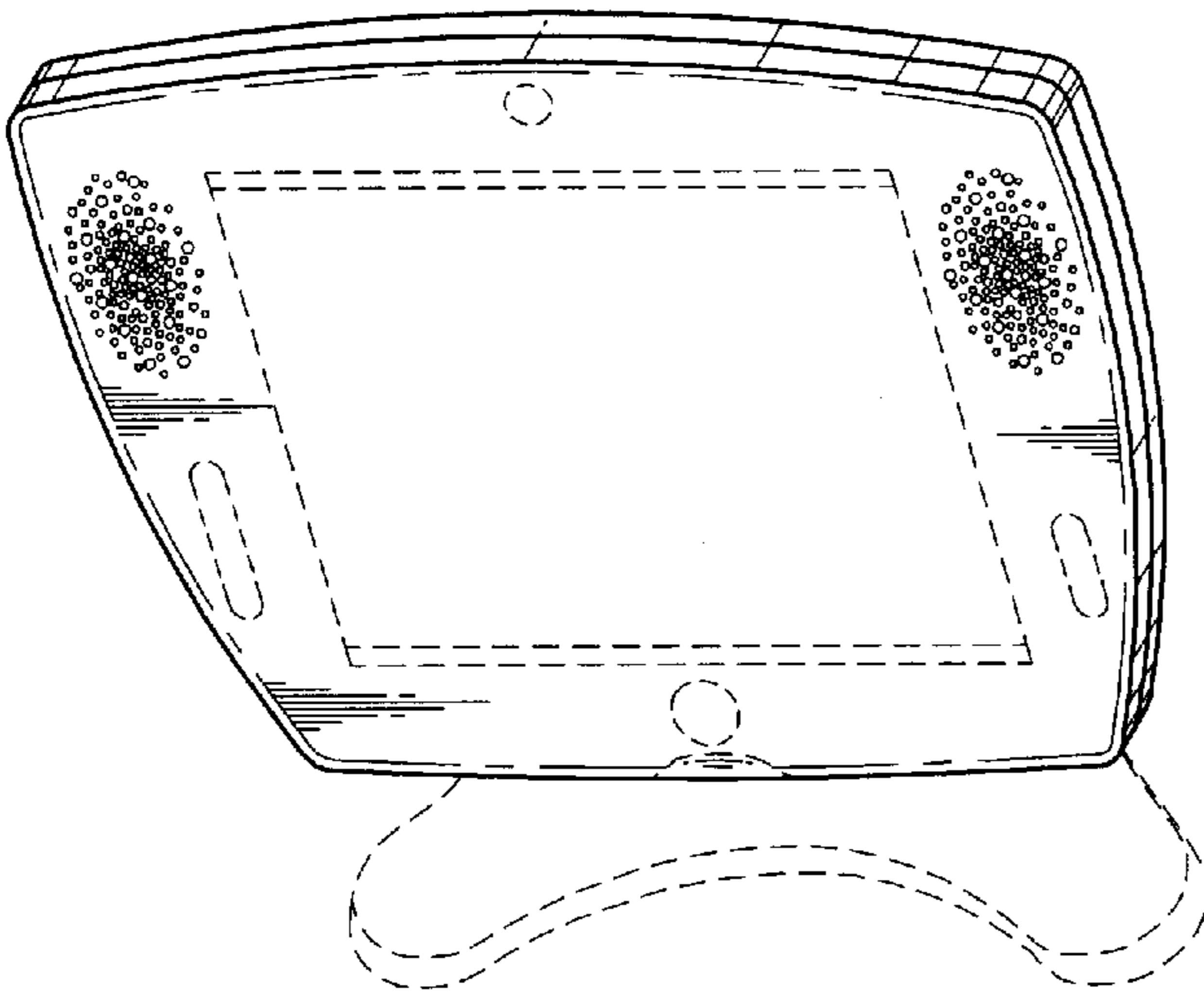


FIG. 1

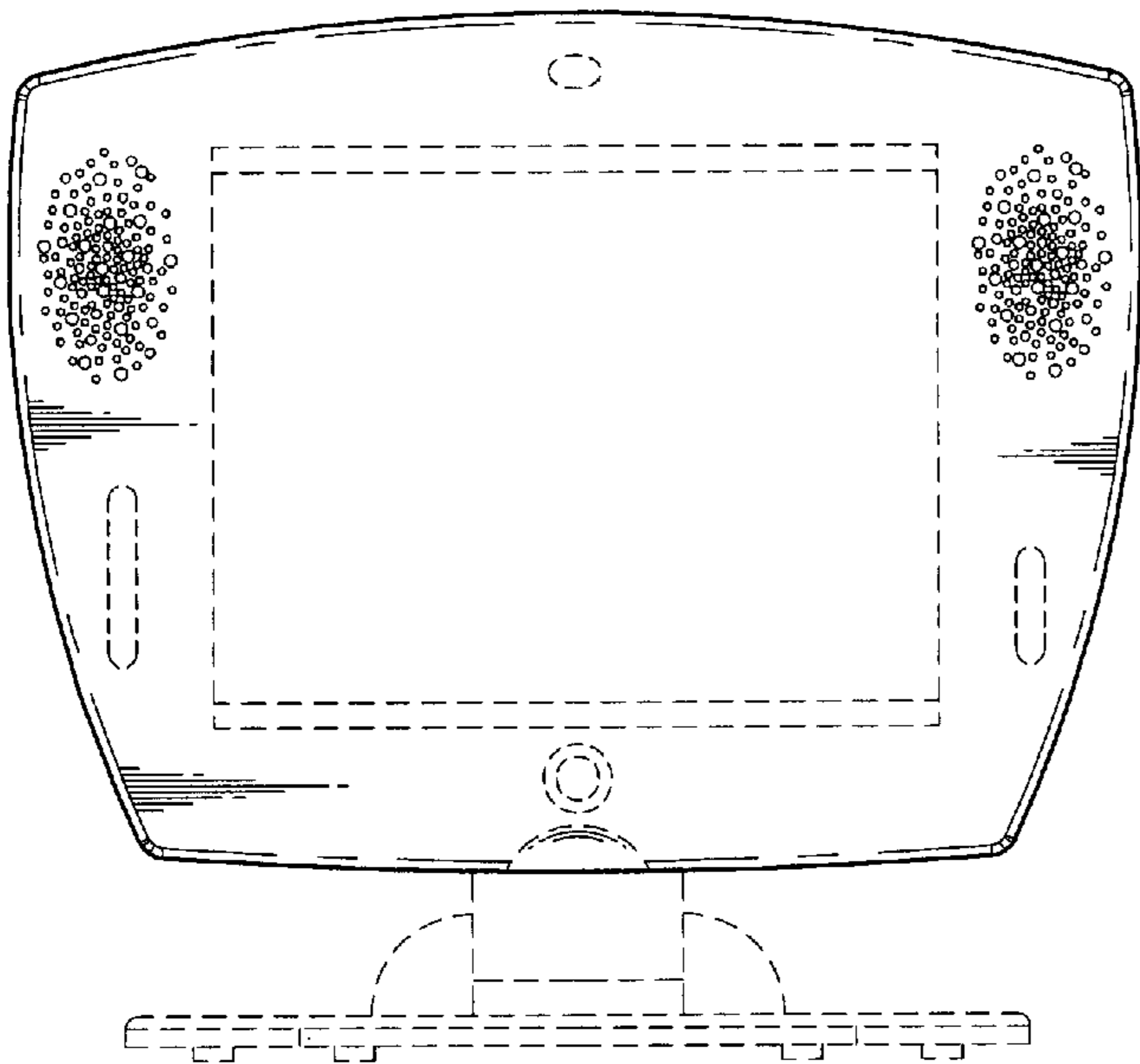
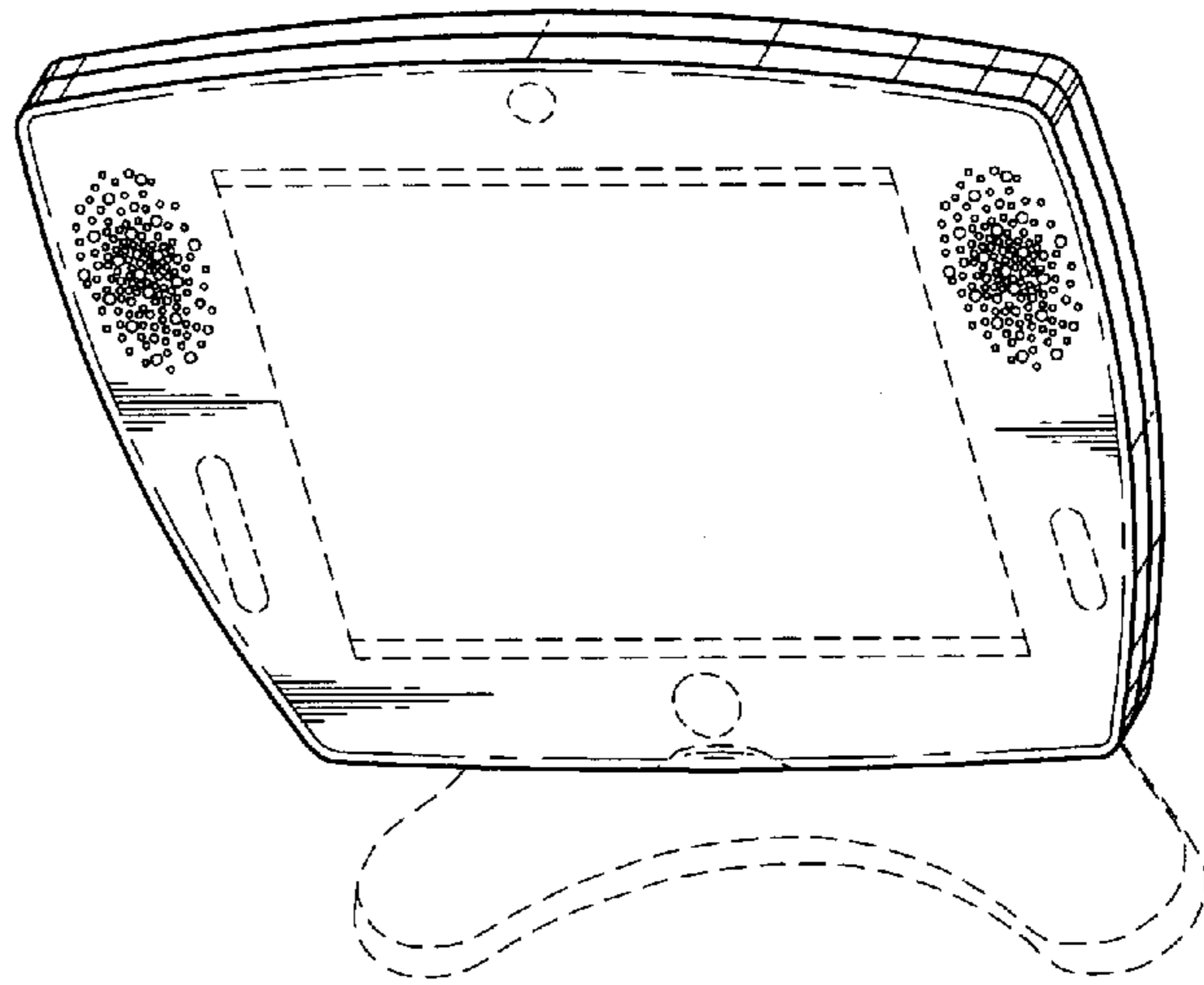
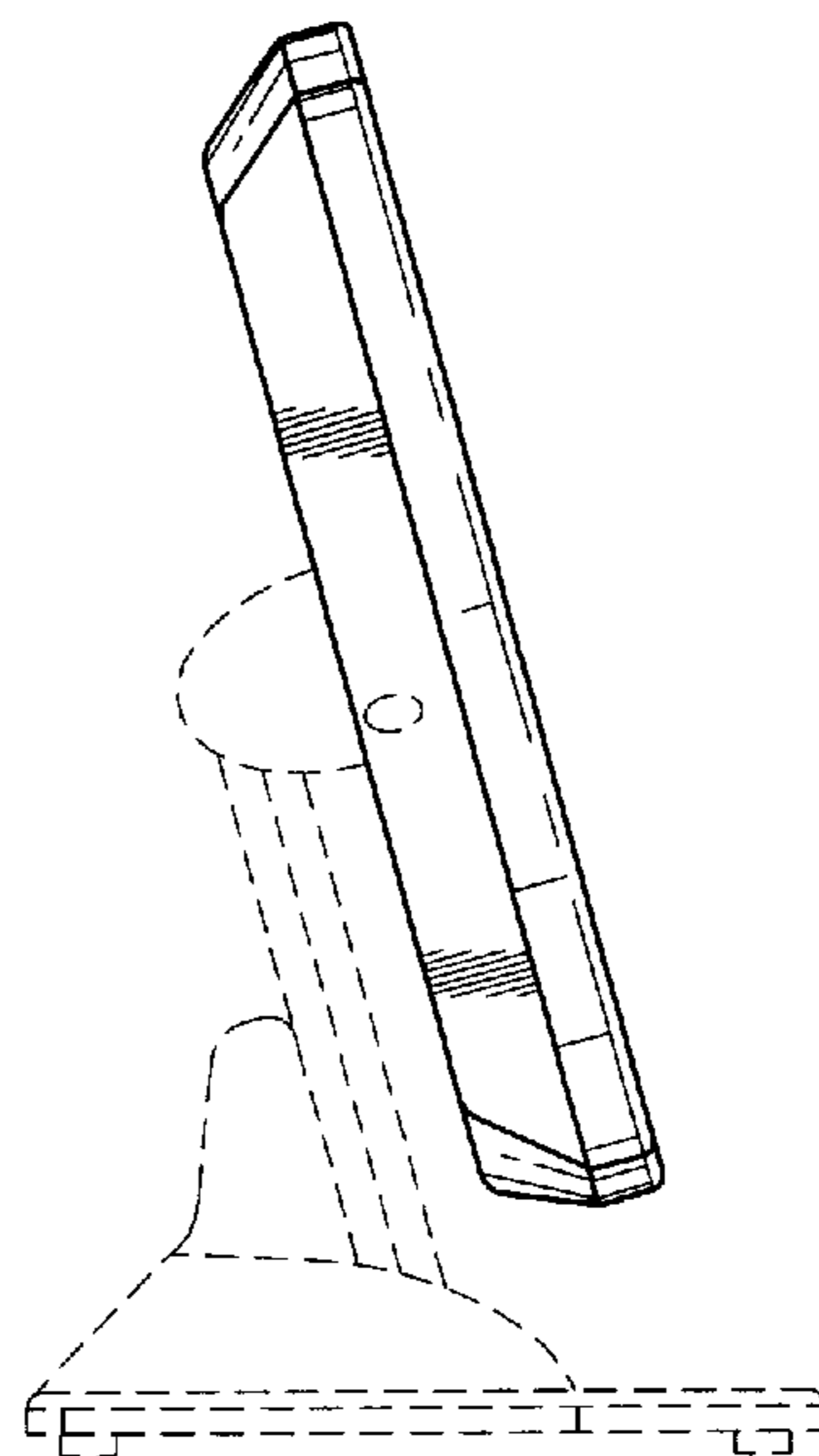


FIG. 2

FIG. 3



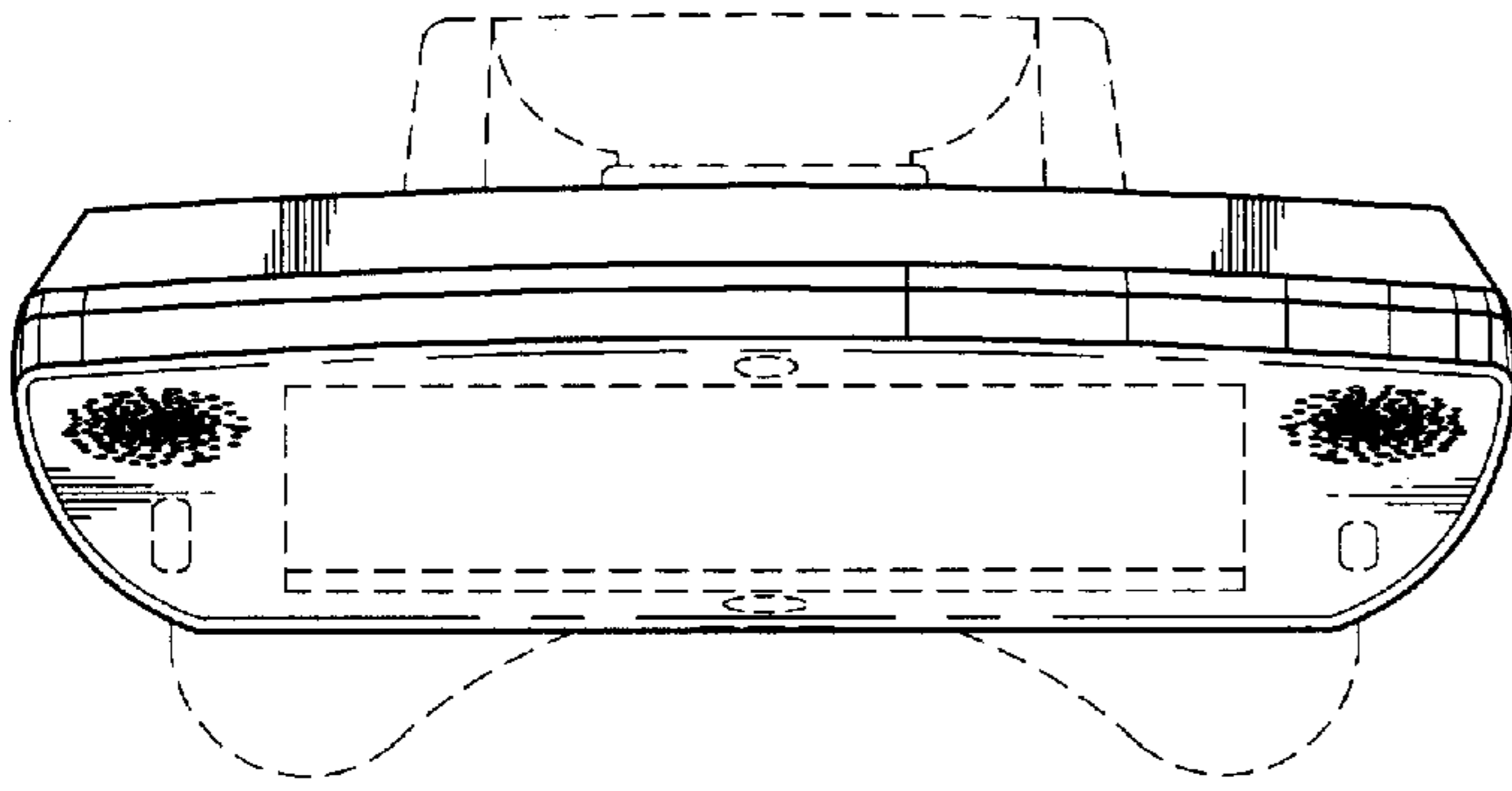


FIG. 4

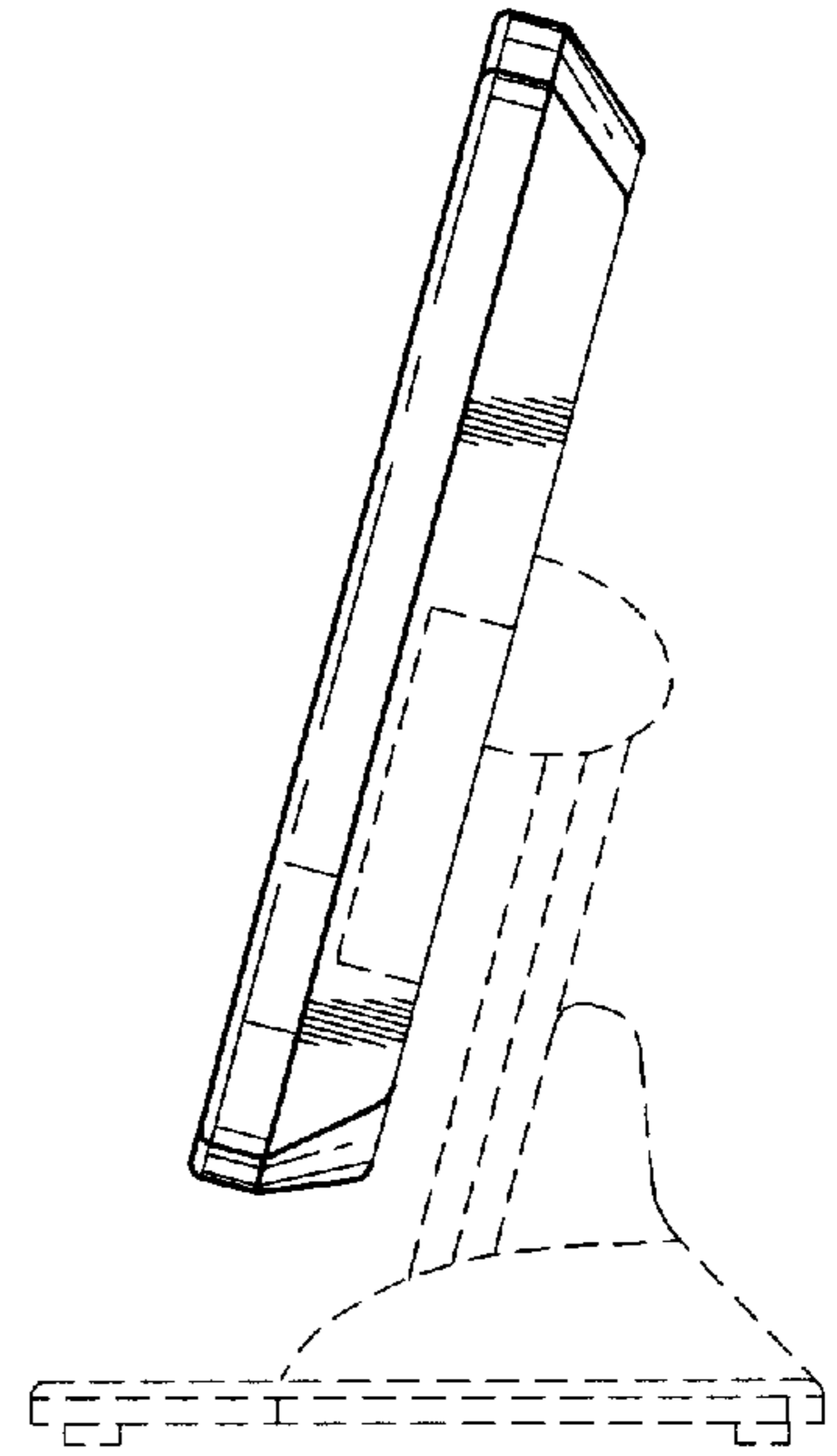


FIG. 5

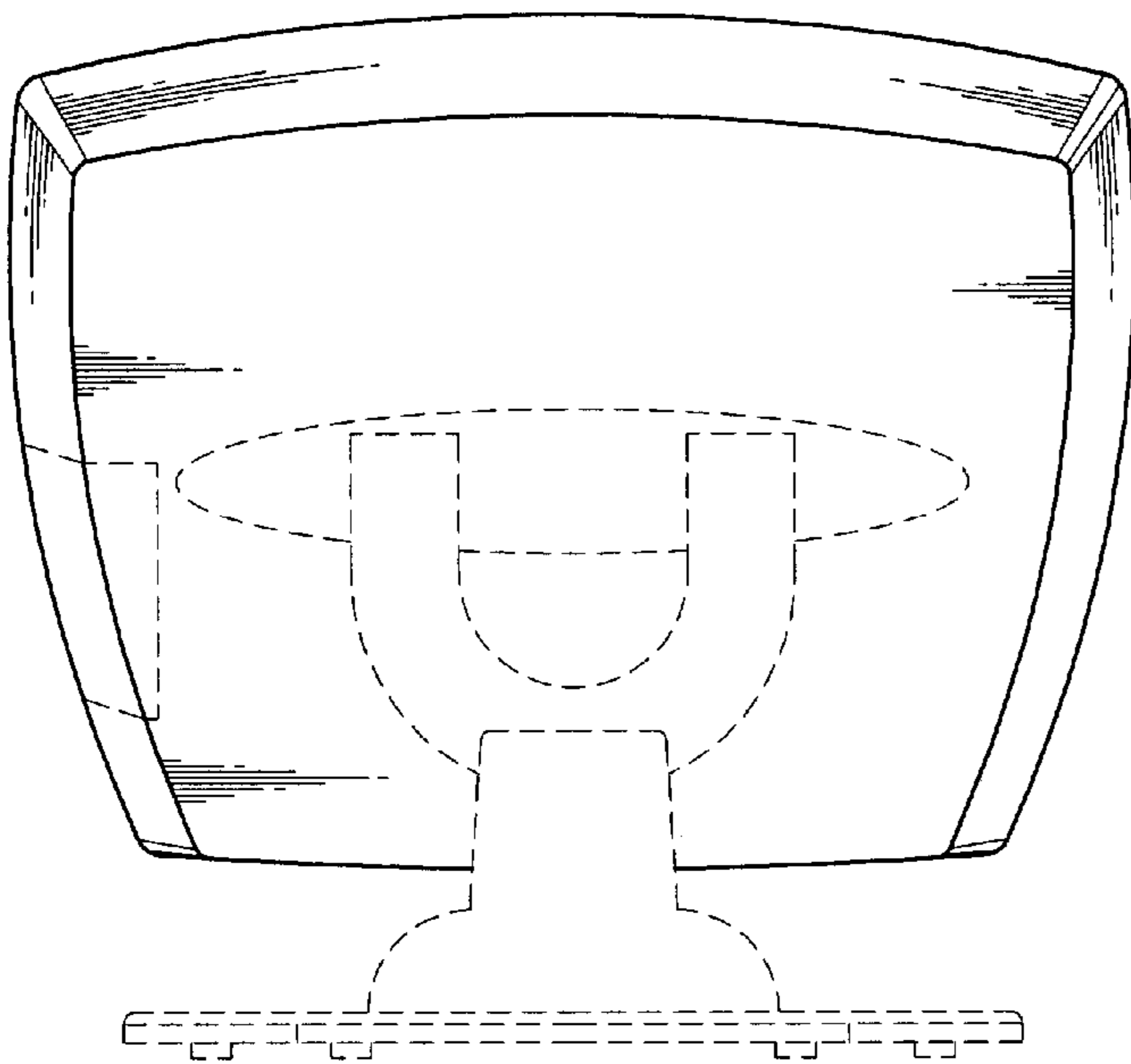


FIG. 6

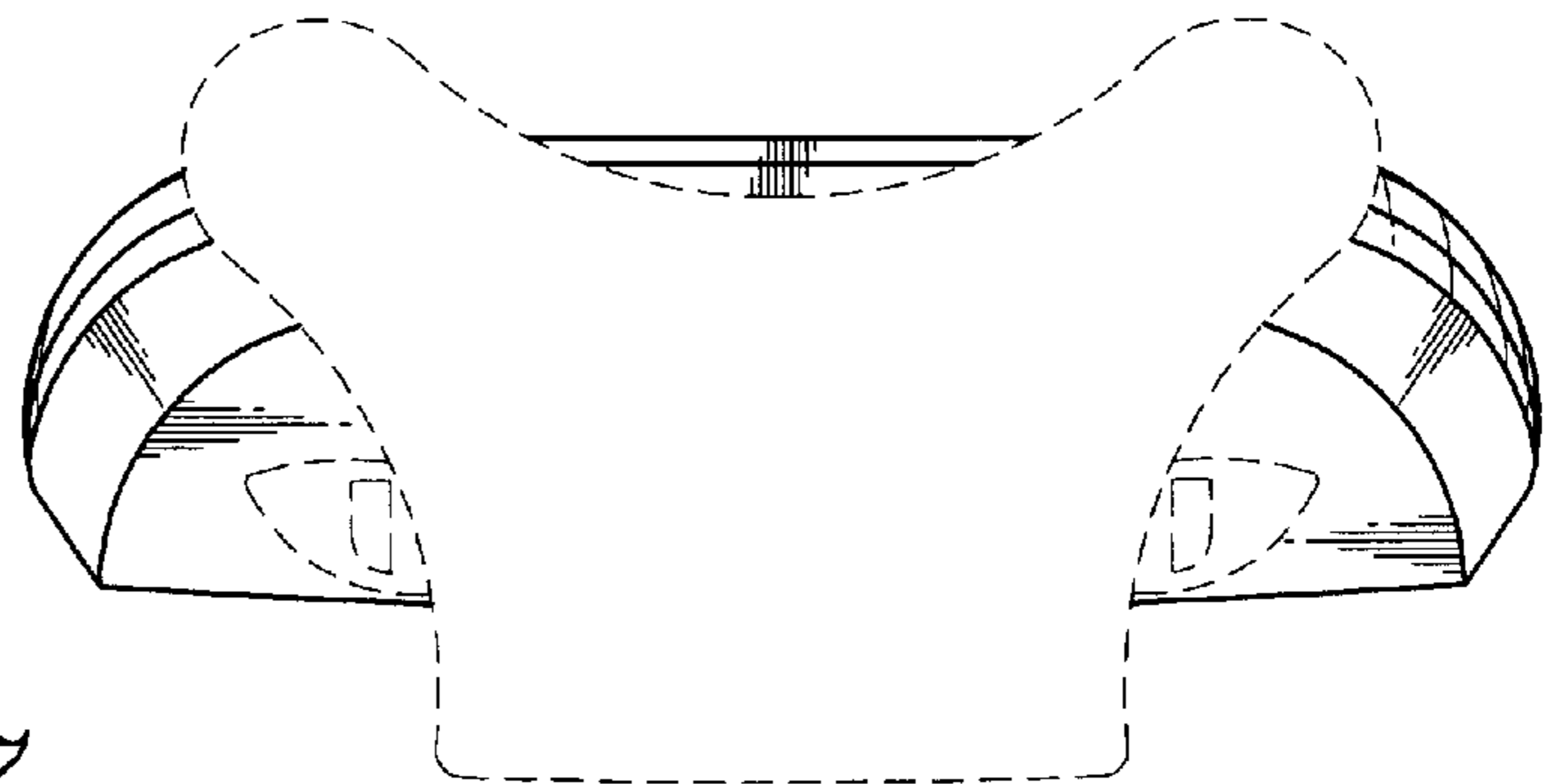


FIG. 7