



US00D453505S

(12) **United States Design Patent**  
**Davis et al.**

(10) **Patent No.:** **US D453,505 S**  
(45) **Date of Patent:** **\*\* Feb. 12, 2002**

(54) **COMBINED AUTOMOTIVE RADIO RECEIVER, TAPE PLAYER AND RECORDER WITH BUILT-IN MICROPHONE**

*Primary Examiner*—Nanda Bondade

(76) Inventors: **Carolyn Davis; Willie Anna Jefferson,**  
both of P.O. Box # 1072, Clarksville,  
VA (US) 23927

(57) **CLAIM**

The ornamental design for a combined automotive radio receiver, tape player and recorder with built-in microphone, as shown and described.

(\*\*) Term: **14 Years**

**DESCRIPTION**

(21) Appl. No.: **29/141,055**

FIG. 1 is a front elevational view of the combined automotive radio receiver, tape player and recorder with built-in microphone of the present invention;

(22) Filed: **Apr. 27, 2001**

FIG. 2 is a rear elevational view of the combined automotive radio receiver, tape player and recorder with built-in microphone of FIG. 1;

(51) **LOC (7) Cl.** ..... **14-03**

(52) **U.S. Cl.** ..... **D14/157; D14/168**

(58) **Field of Search** ..... D14/135-136,  
D14/156-157, 160, 162, 164, 168, 188,  
197-198, 225-226, 257-258, 265; 369/75.1,  
75.2, 77.1, 77.2; 455/344, 347-348, 350-351

FIG. 3 is a left side elevational view of the combined automotive radio receiver, tape player and recorder with built-in microphone of FIG. 1;

FIG. 4 is a right side elevational view of the combined automotive radio receiver, tape player and recorder with built-in microphone of FIG. 1;

(56) **References Cited**

**U.S. PATENT DOCUMENTS**

4,602,358 A	7/1986	Sato	
4,713,801 A	12/1987	Hale	
5,058,150 A	10/1991	Kang	
5,263,199 A	11/1993	Barnes et al.	
D349,901 S	8/1994	Smith	
5,633,837 A	5/1997	Gantt	
D395,884 S	* 7/1998	Igbinador	..... D14/168
D401,581 S	* 11/1998	Palmiro et al.	..... D14/157 X
5,862,468 A	* 1/1999	Kim	..... 455/348 X

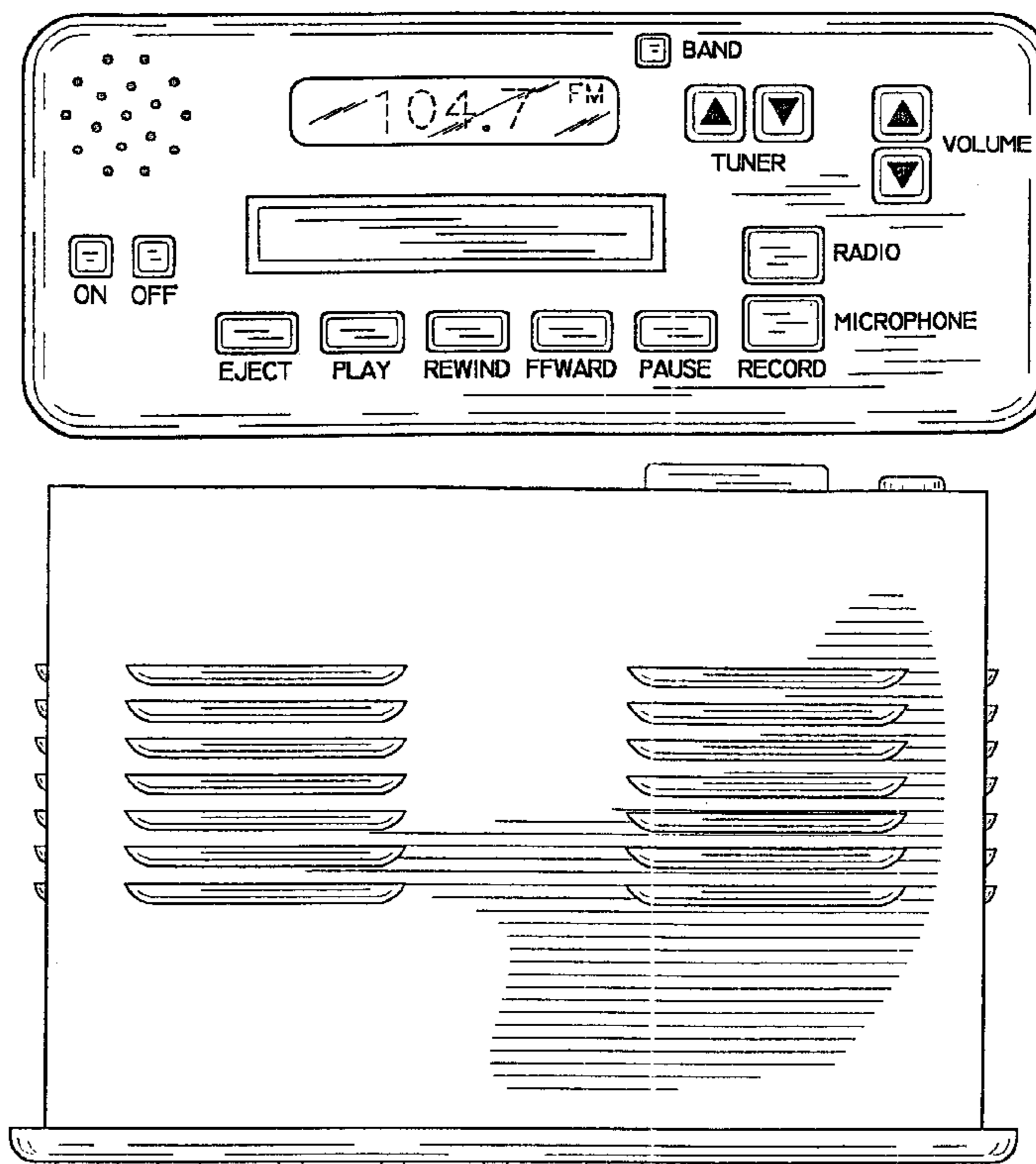
FIG. 5 is a top plan view of the combined automotive radio receiver, tape player and recorder with built-in microphone of FIG. 1; and,

FIG. 6 is a bottom plan view of the combined automotive radio receiver, tape player and recorder with built-in microphone of FIG. 1.

The broken lines showing of a number in FIG. 1 is for illustrative purposes only and form no part of the claimed design.

\* cited by examiner

**1 Claim, 3 Drawing Sheets**



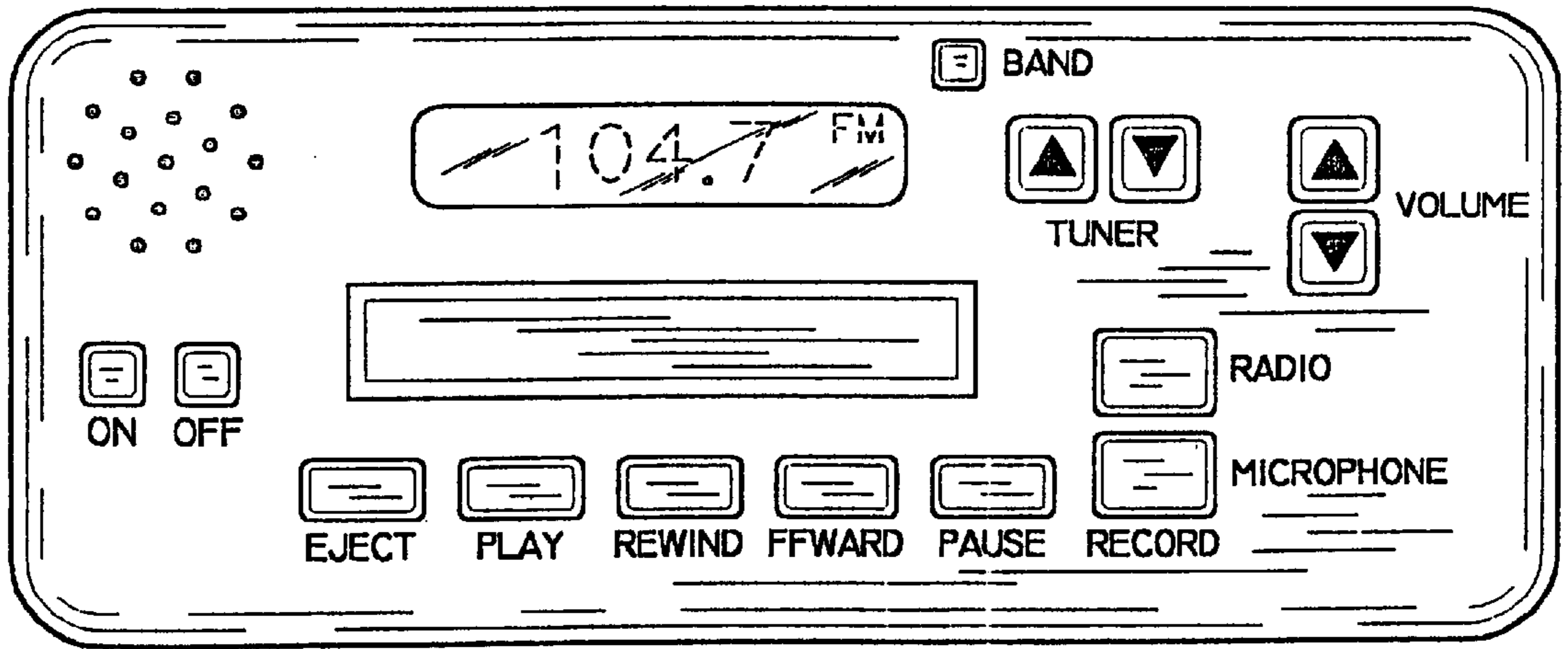


Fig. 1

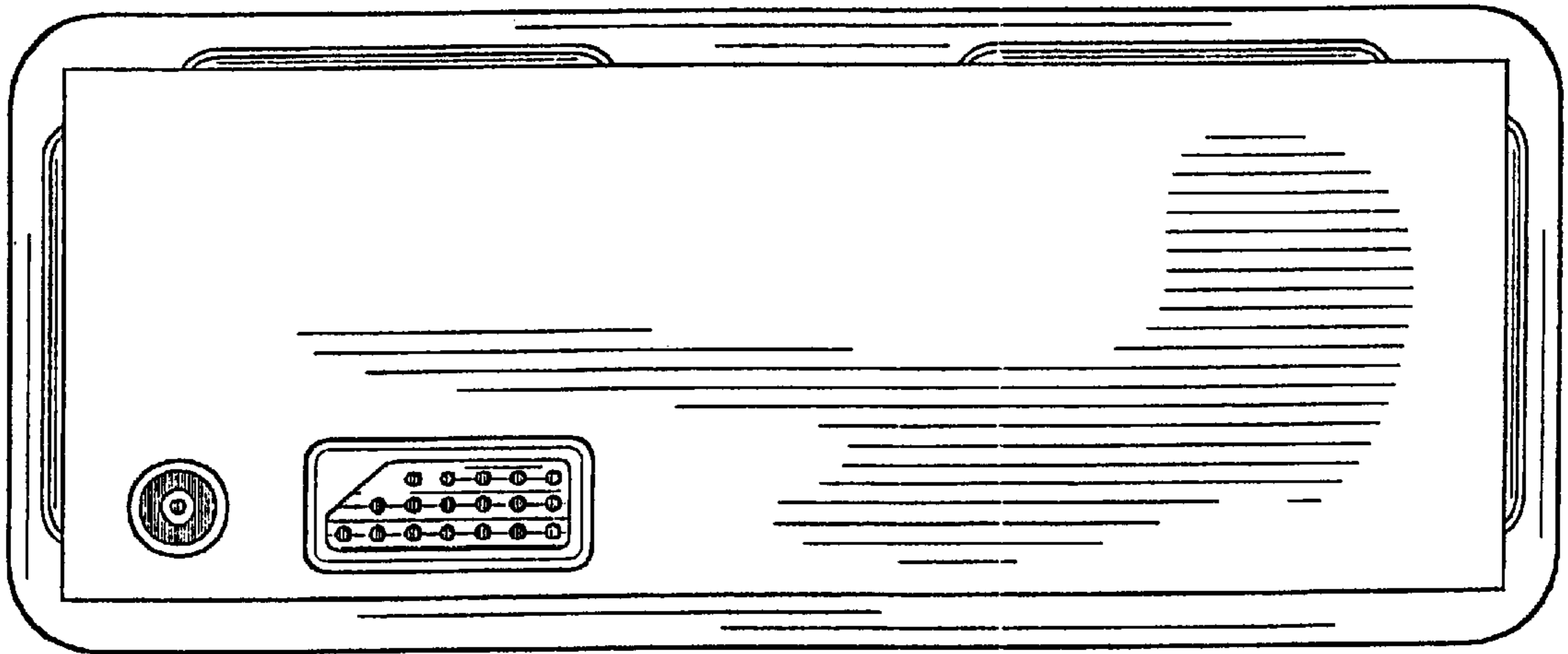
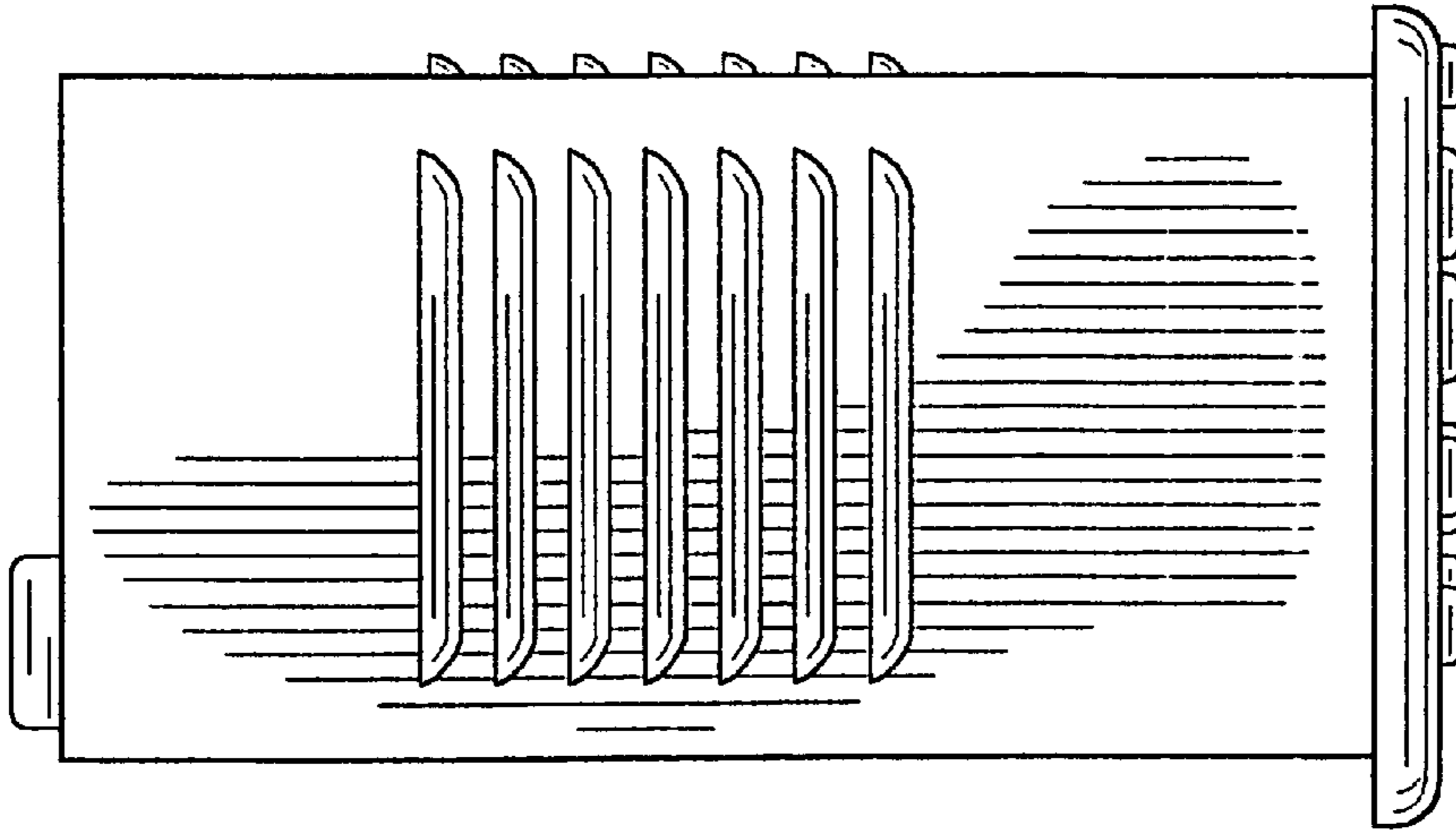
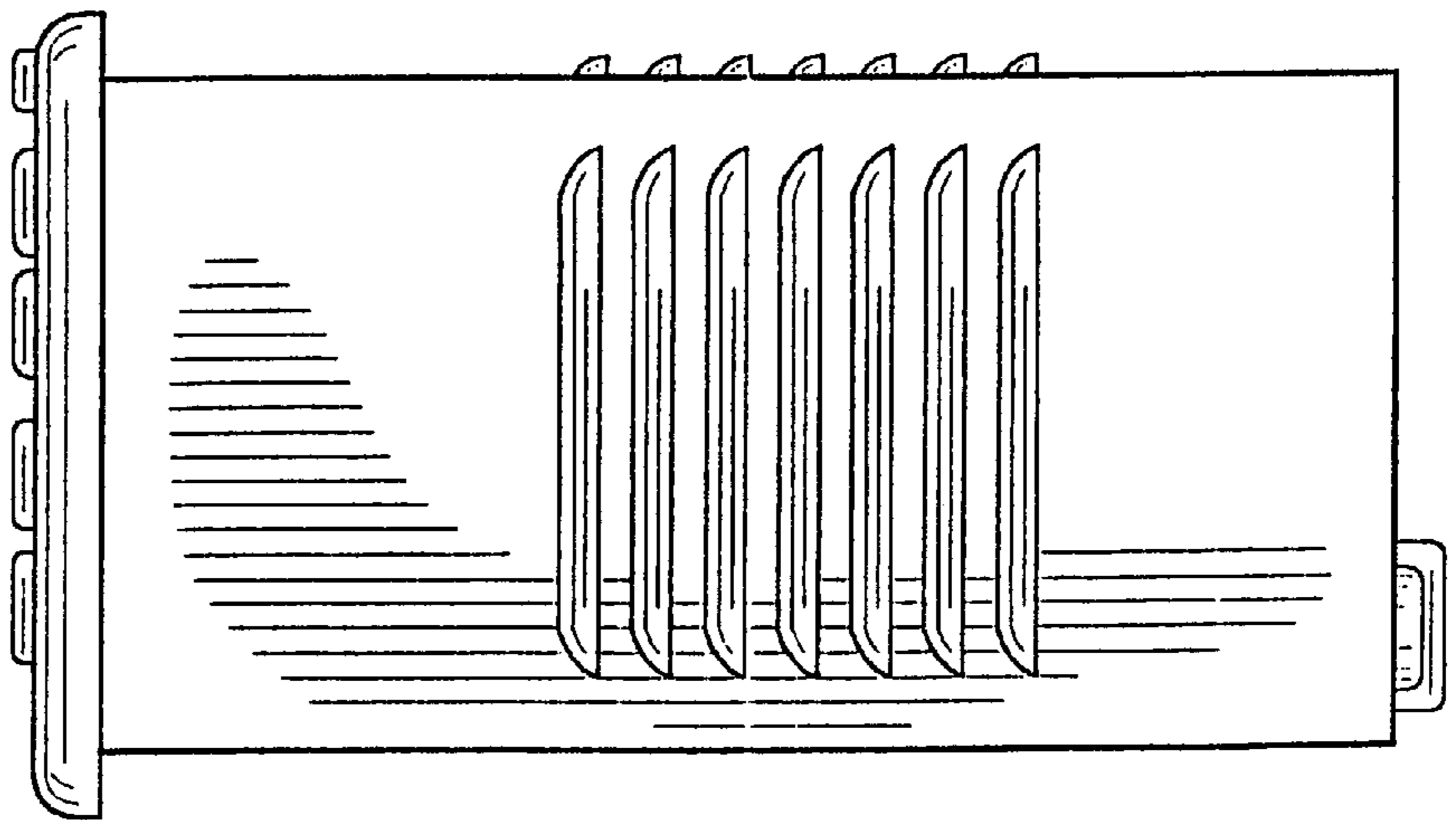


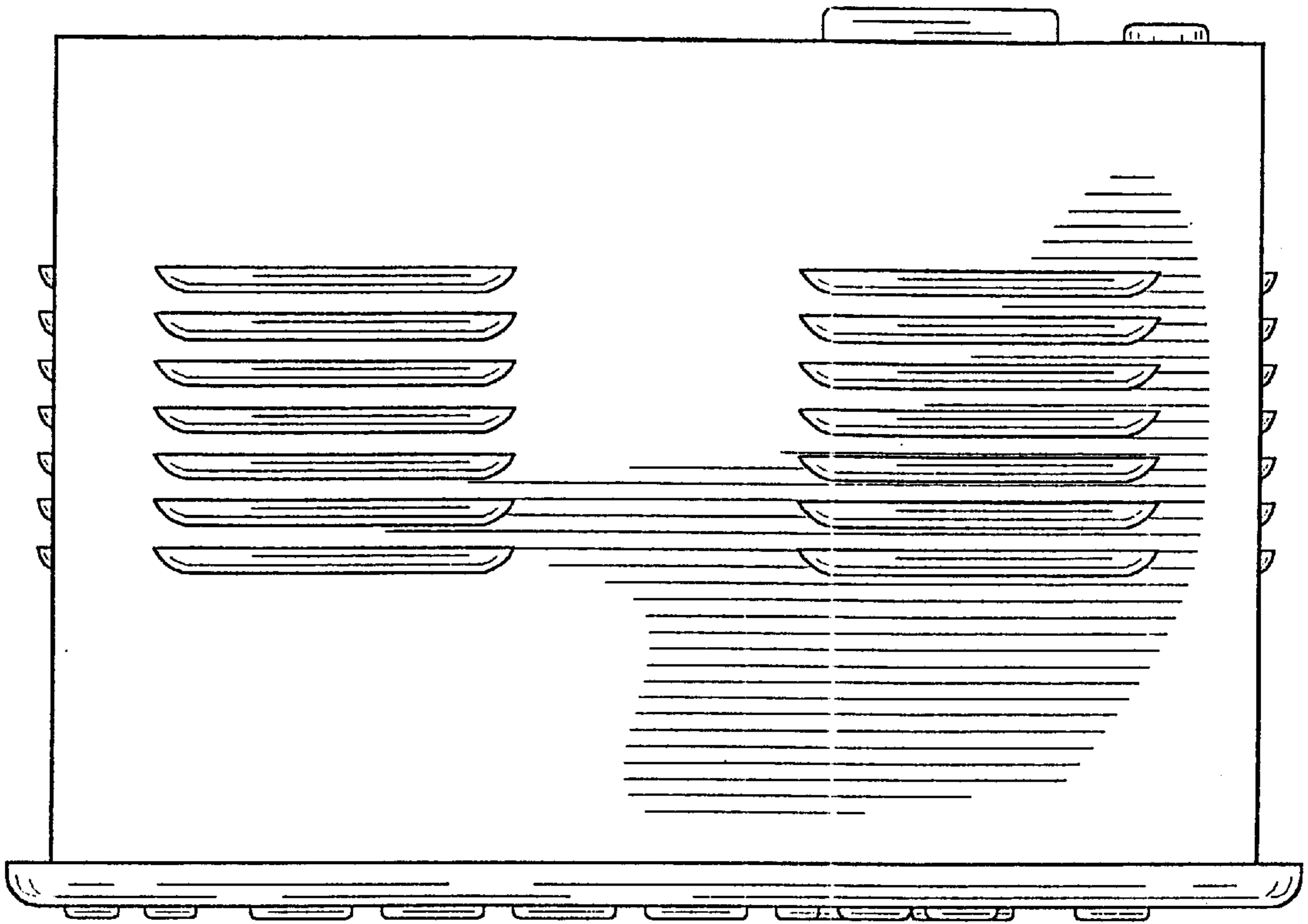
Fig. 2



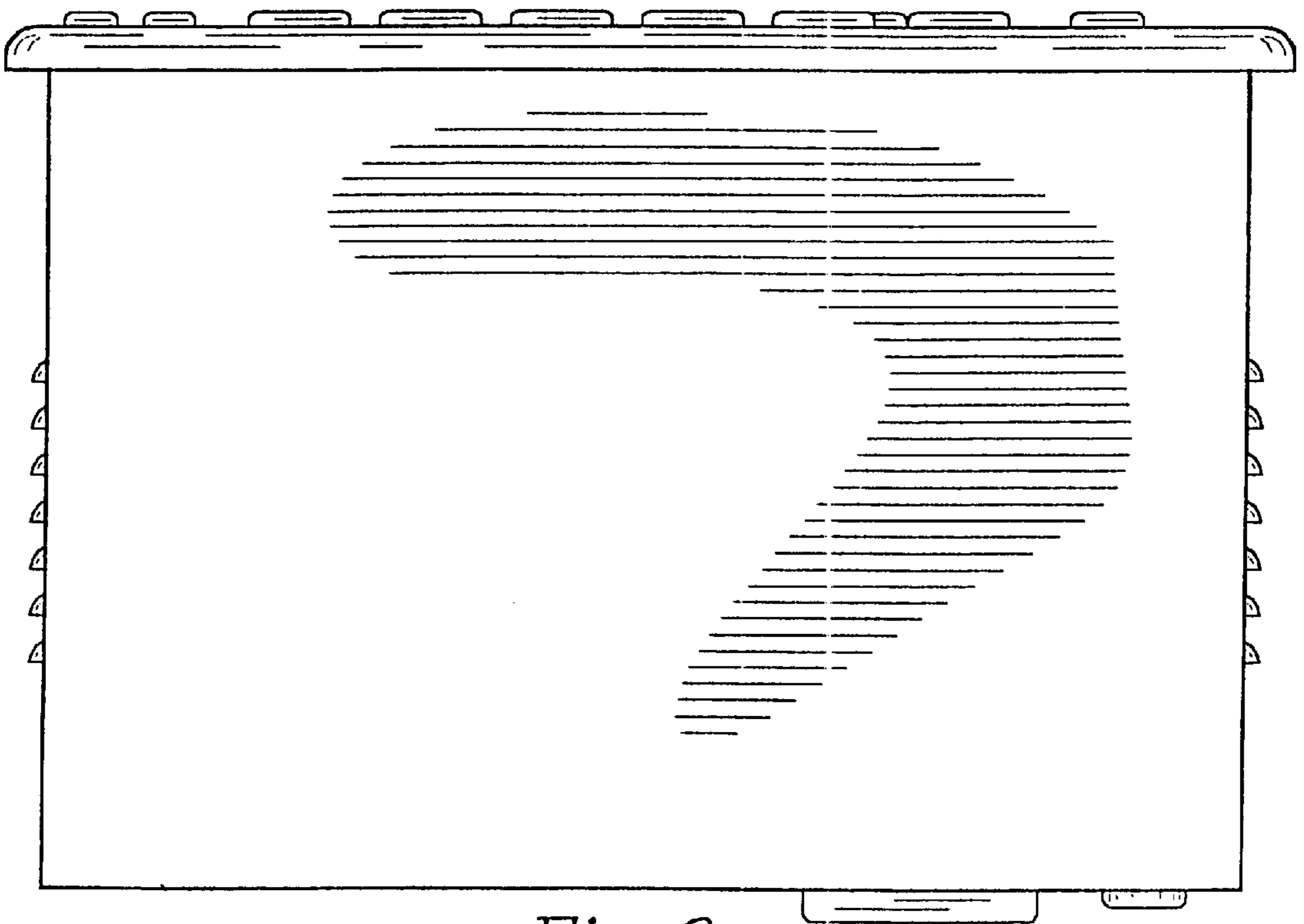
*Fig. 3*



*Fig. 4*



*Fig. 5*



*Fig. 6*