



US00D453504S

(12) **United States Design Patent**  
**Bong et al.**

(10) **Patent No.:** **US D453,504 S**

(45) **Date of Patent:** **\*\* Feb. 12, 2002**

(54) **TELEVISION RECEIVER**

(75) Inventors: **Tae Geun Bong**, Kyunggi-do; **Young Min Cho**, Gwanju; **Sun Woo Park**, Seoul, all of (KR)

(73) Assignee: **UPD Corporation**, Kyunggi-do (KR)

(\*\*) Term: **14 Years**

(21) Appl. No.: **29/137,846**

(22) Filed: **Feb. 28, 2001**

(30) **Foreign Application Priority Data**

Feb. 12, 2001 (KR) ..... 01-3099

(51) **LOC (7) Cl.** ..... **14-03**

(52) **U.S. Cl.** ..... **D14/126**

(58) **Field of Search** ..... D14/125-136,  
D14/239, 371, 374, 375, 376; 312/7.2;  
348/836, 838, 180, 184, 325, 739; 341/12;  
248/917-924; 345/104, 133, 156, 168, 87,  
173

(56) **References Cited**

**U.S. PATENT DOCUMENTS**

D374,003 S \* 9/1996 Stark ..... D14/126

D417,659 S \* 12/1999 Takemasa ..... D14/126  
D431,537 S \* 10/2000 Saeki et al. .... D14/126  
D438,848 S \* 3/2001 Kita ..... D14/126

**OTHER PUBLICATIONS**

Panasonic catalog, p. 1, Oct. 9, 1997.\*

\* cited by examiner

*Primary Examiner*—Raphael Barkai

(74) *Attorney, Agent, or Firm*—Fulbright & Jaworski L.L.P.

(57) **CLAIM**

The ornamental design for a television receiver, as shown.

**DESCRIPTION**

FIG. 1 is a perspective view of the television receiver in assembled state of the present invention;  
FIG. 2 is a front elevational view thereof;  
FIG. 3 is a rear elevational view thereof;  
FIG. 4 is a left side elevational view thereof;  
FIG. 5 is a top plan view thereof; and,  
FIG. 6 is a bottom plan view thereof.

**1 Claim, 3 Drawing Sheets**

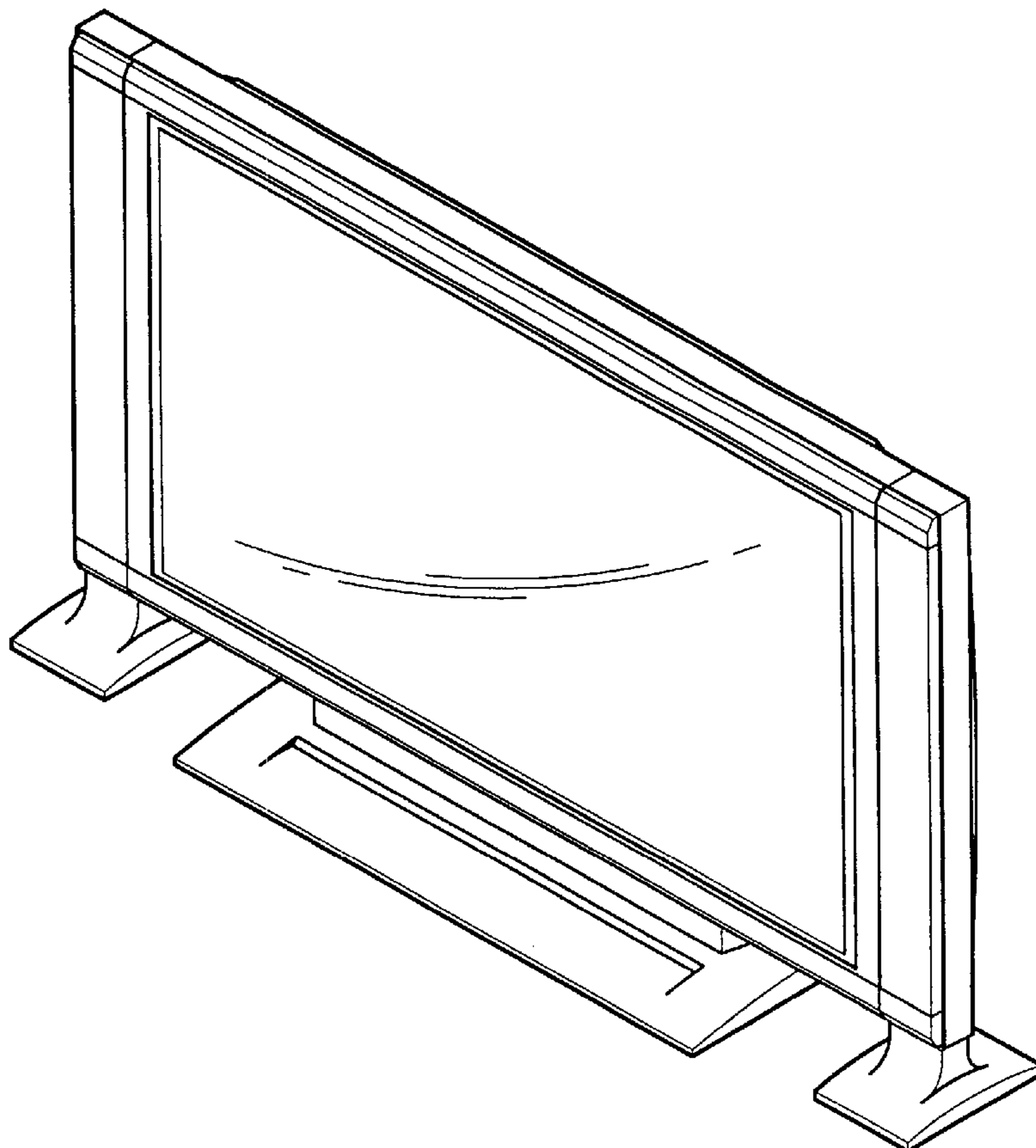


FIG. 1

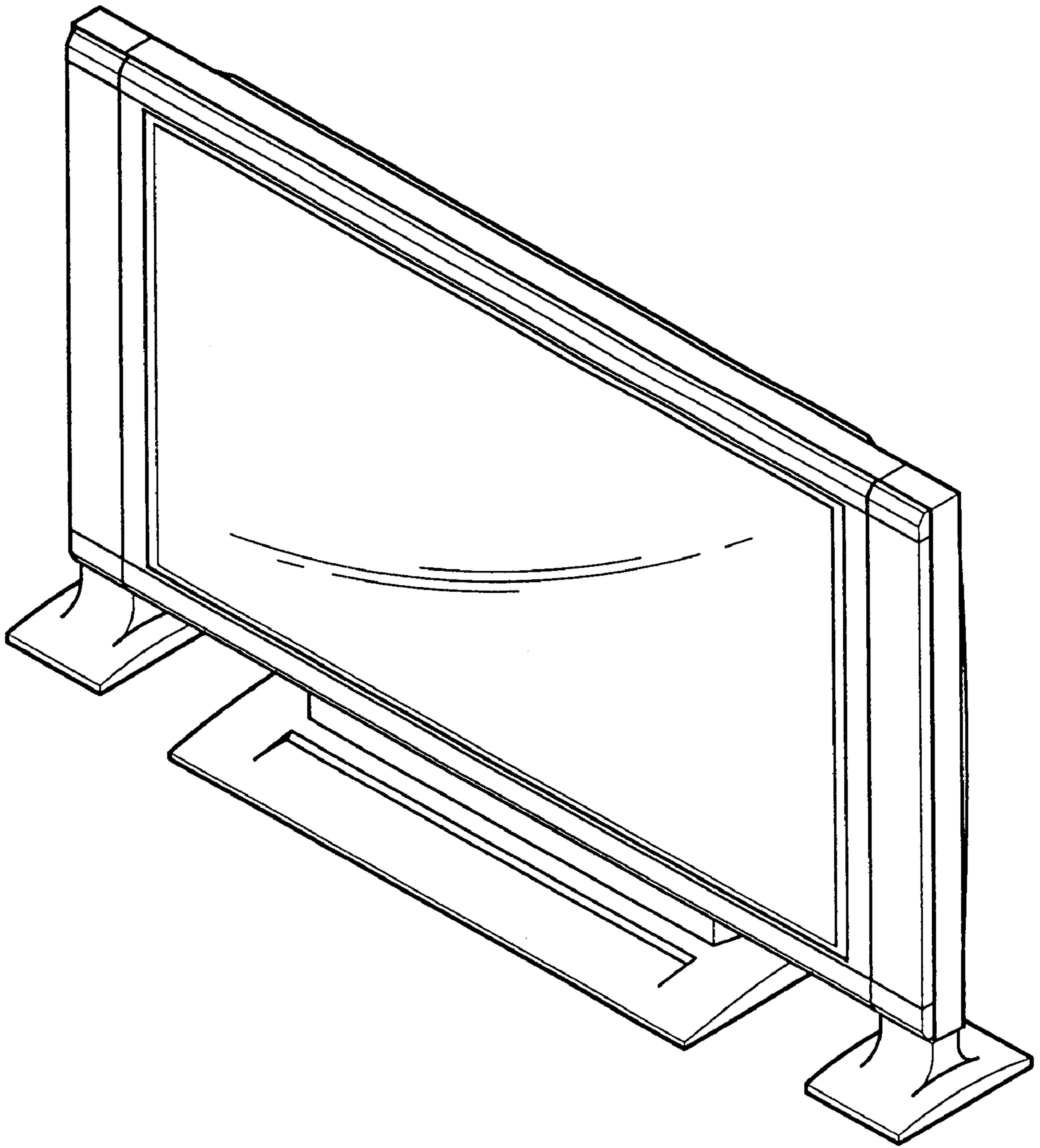


FIG. 2

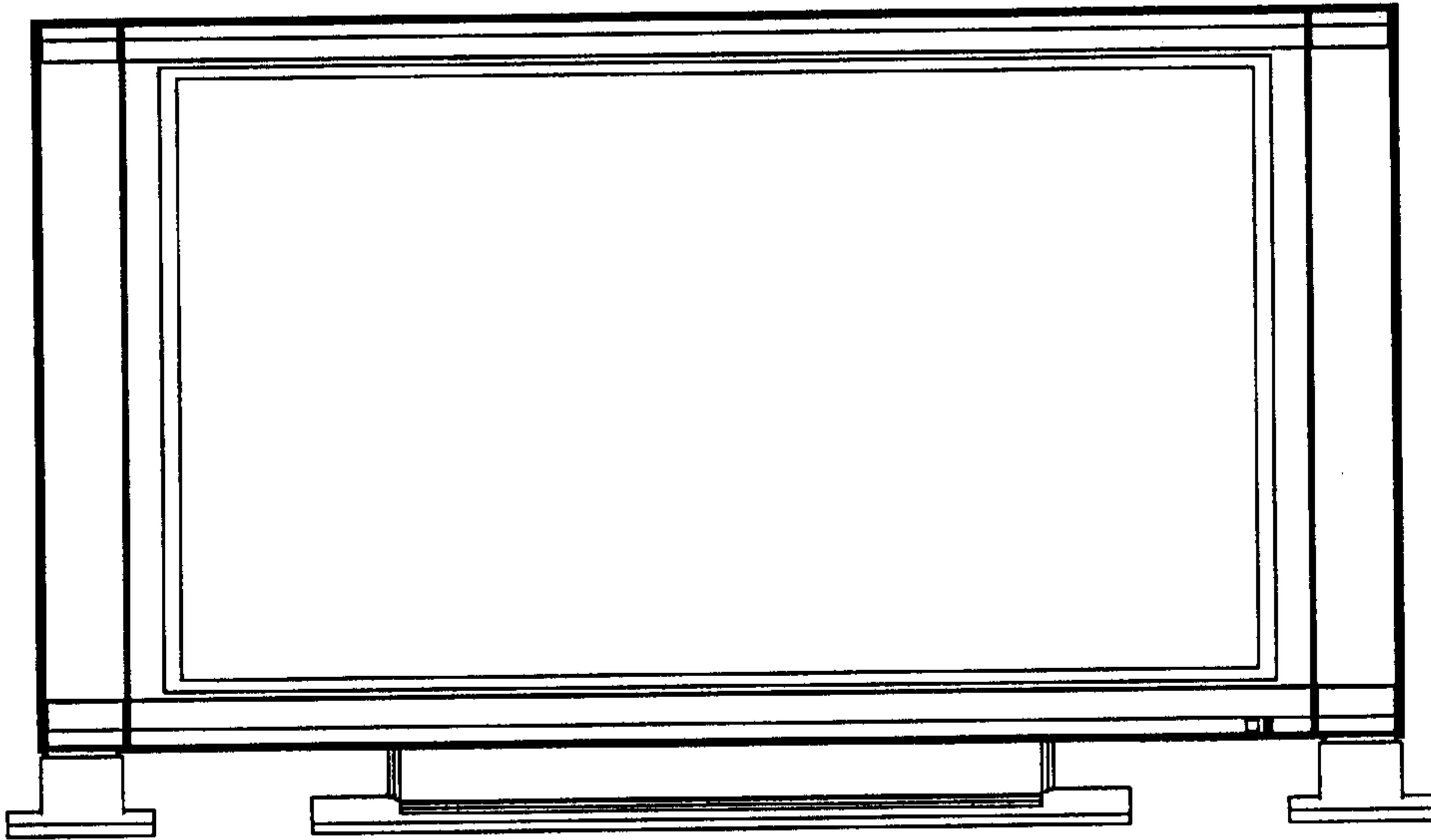


FIG. 3

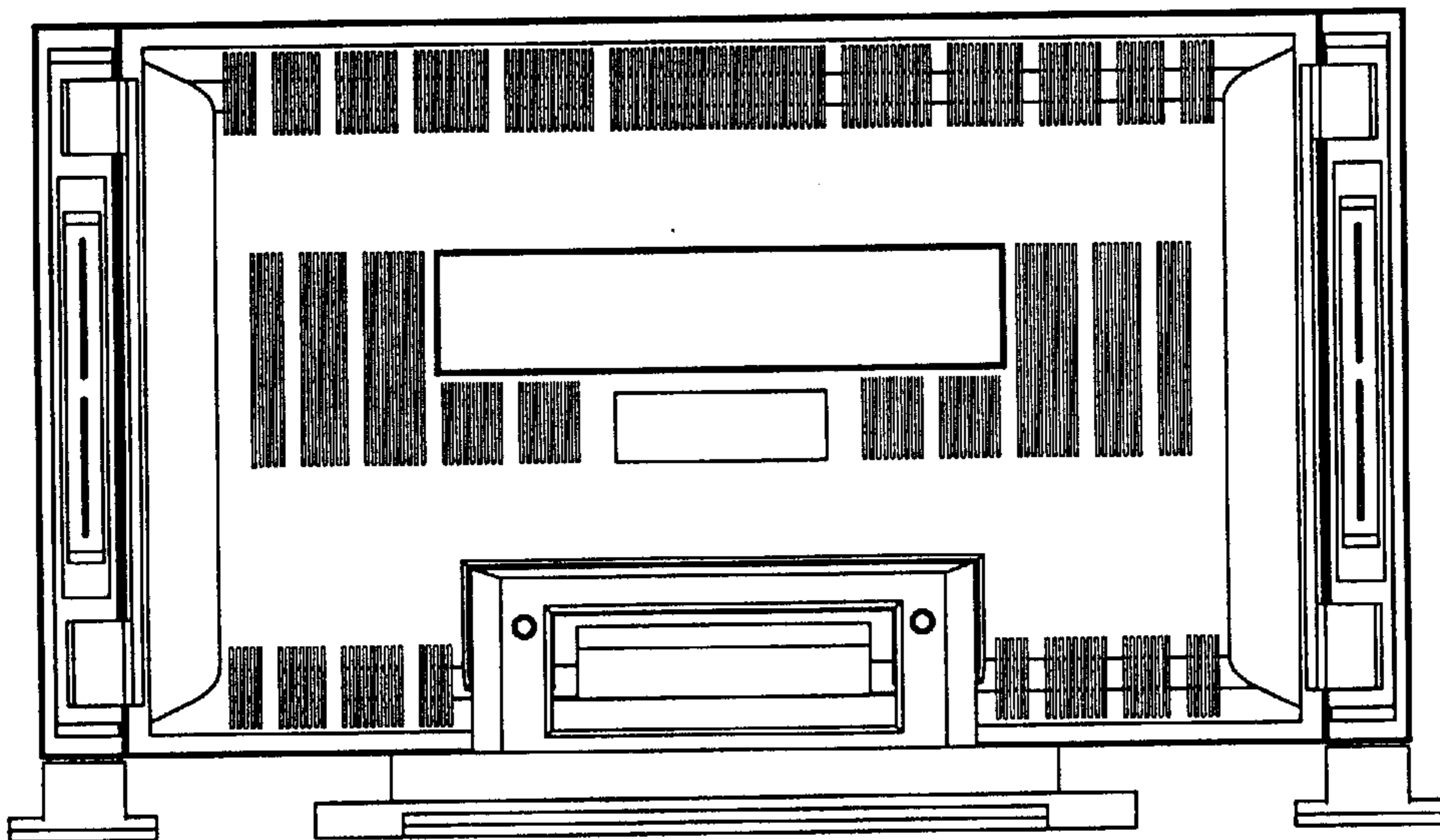


FIG. 4

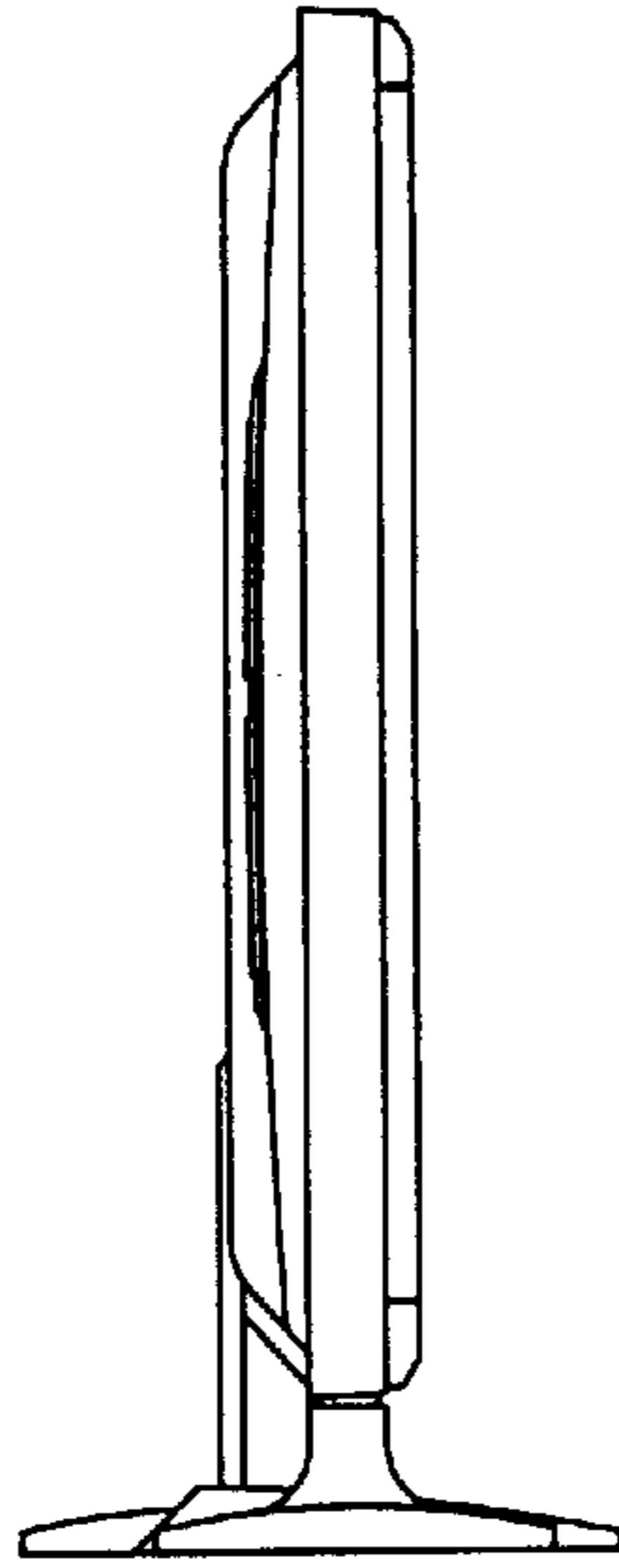


FIG. 5

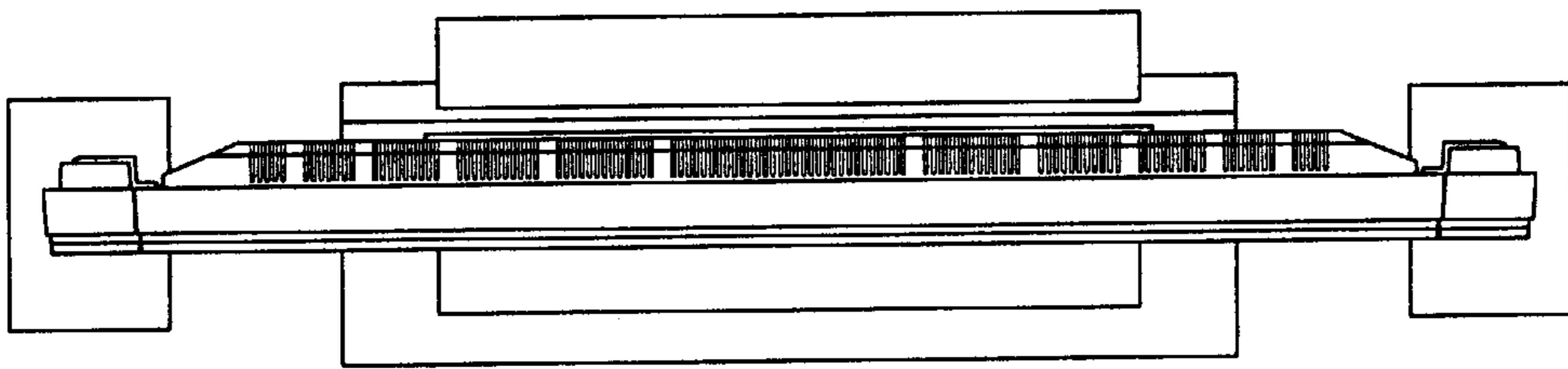


FIG. 6

