



US00D453501S

(12) **United States Design Patent**
Shao et al.

(10) **Patent No.:** **US D453,501 S**

(45) **Date of Patent:** **** Feb. 12, 2002**

- (54) **ELECTRICAL CONNECTOR ASSEMBLY**
- (75) Inventors: **Mingbo Shao; Bingbo Hu; Qisheng Zheng**, all of Kunsan (CN)
- (73) Assignee: **Hon Hai Precision Ind. Co., Ltd.**, Taipei Hsien (TW)
- (**) Term: **14 Years**
- (21) Appl. No.: **29/143,549**
- (22) Filed: **Jun. 15, 2001**
- (51) **LOC (7) Cl.** **13-03**
- (52) **U.S. Cl.** **D13/147**
- (58) **Field of Search** D13/146, 147;
439/108, 607, 608, 677-681, 540.1, 541.5,
638, 639

- D420,645 S * 2/2000 Chang et al. D13/146
- D420,978 S * 2/2000 Chang D13/146
- D420,979 S * 2/2000 Chang D13/146
- 6,056,594 A * 5/2000 Ching 439/541.5
- 6,168,462 B1 * 1/2001 Liao 439/541.5
- 6,193,555 B1 * 2/2001 Chang 439/608
- 6,200,161 B1 * 3/2001 McClinton et al. 439/541.5

* cited by examiner

Primary Examiner—Joel Sincavage

(74) *Attorney, Agent, or Firm*—Wei Te Chung

(57) **CLAIM**

The ornamental design for an electrical connector assembly, as shown.

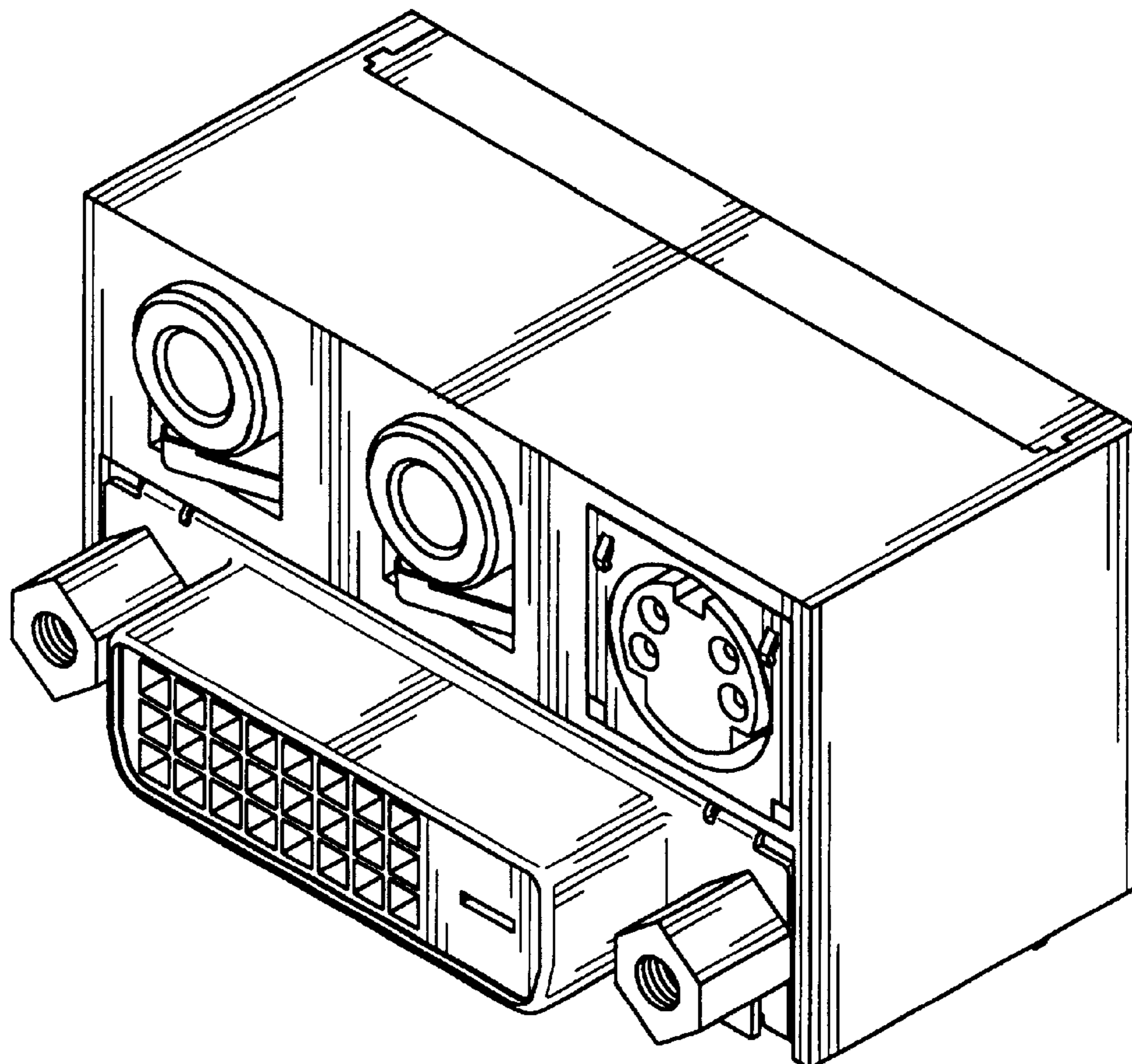
DESCRIPTION

FIG. 1 is a front, top and right side perspective view of an electrical connector assembly showing our new design; FIG. 2 is a front elevational view thereof; FIG. 3 is a rear elevational view thereof; FIG. 4 is a left side elevational view thereof; FIG. 5 is a right side elevational view thereof; FIG. 6 is a top plan view thereof; and, FIG. 7 is a bottom plan view thereof.

1 Claim, 7 Drawing Sheets

(56) **References Cited**
U.S. PATENT DOCUMENTS

- 5,304,069 A * 4/1994 Bruner et al. 439/108
- 5,387,114 A * 2/1995 Bruner et al. 439/108
- 5,558,542 A * 9/1996 O'Sullivan et al. 439/682
- D377,336 S * 1/1997 Tan et al. D13/147
- 5,643,008 A * 7/1997 Tan et al. 439/541.5
- 5,755,592 A * 5/1998 Hillbish et al. 439/541.5



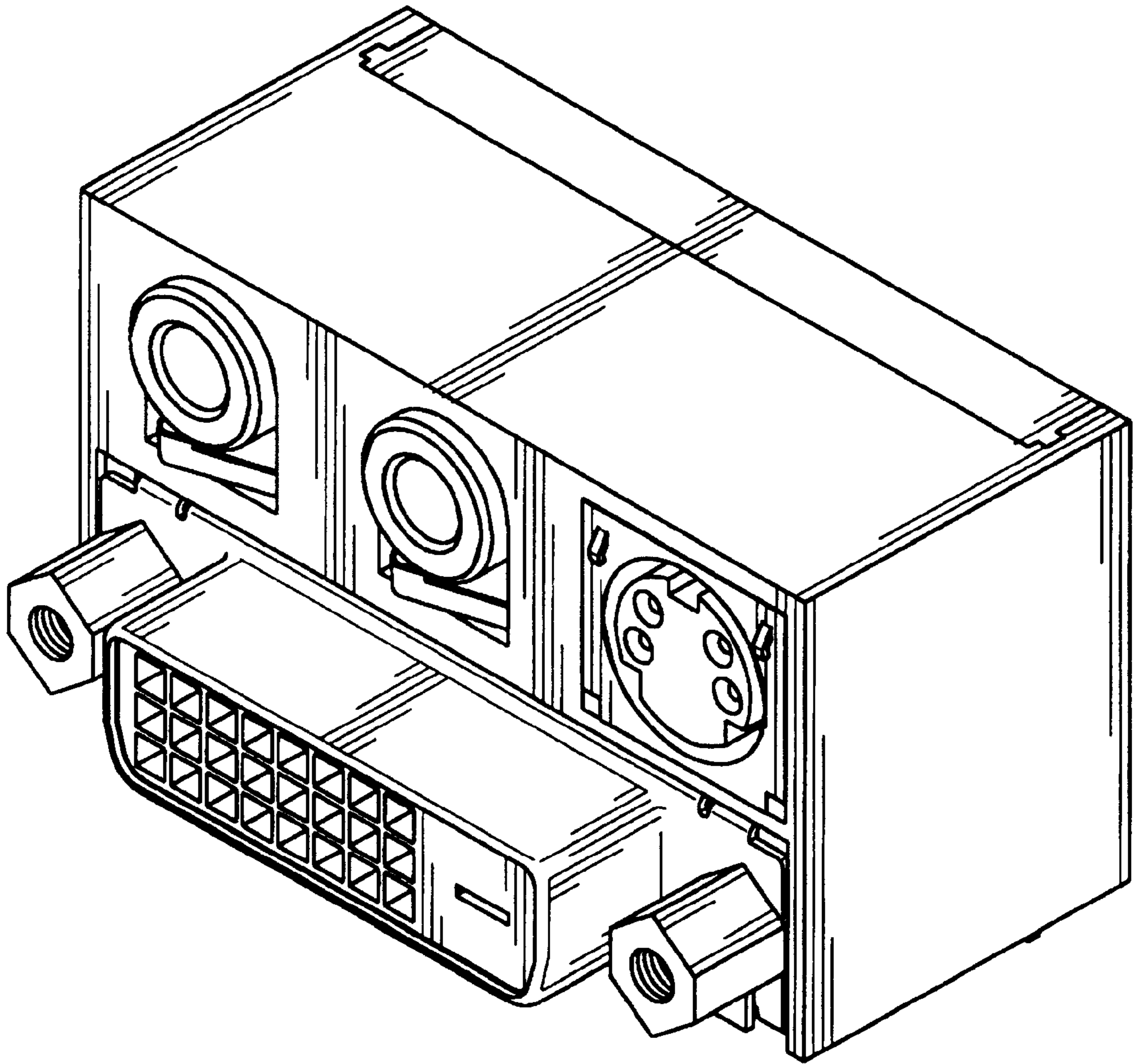


FIG. 1

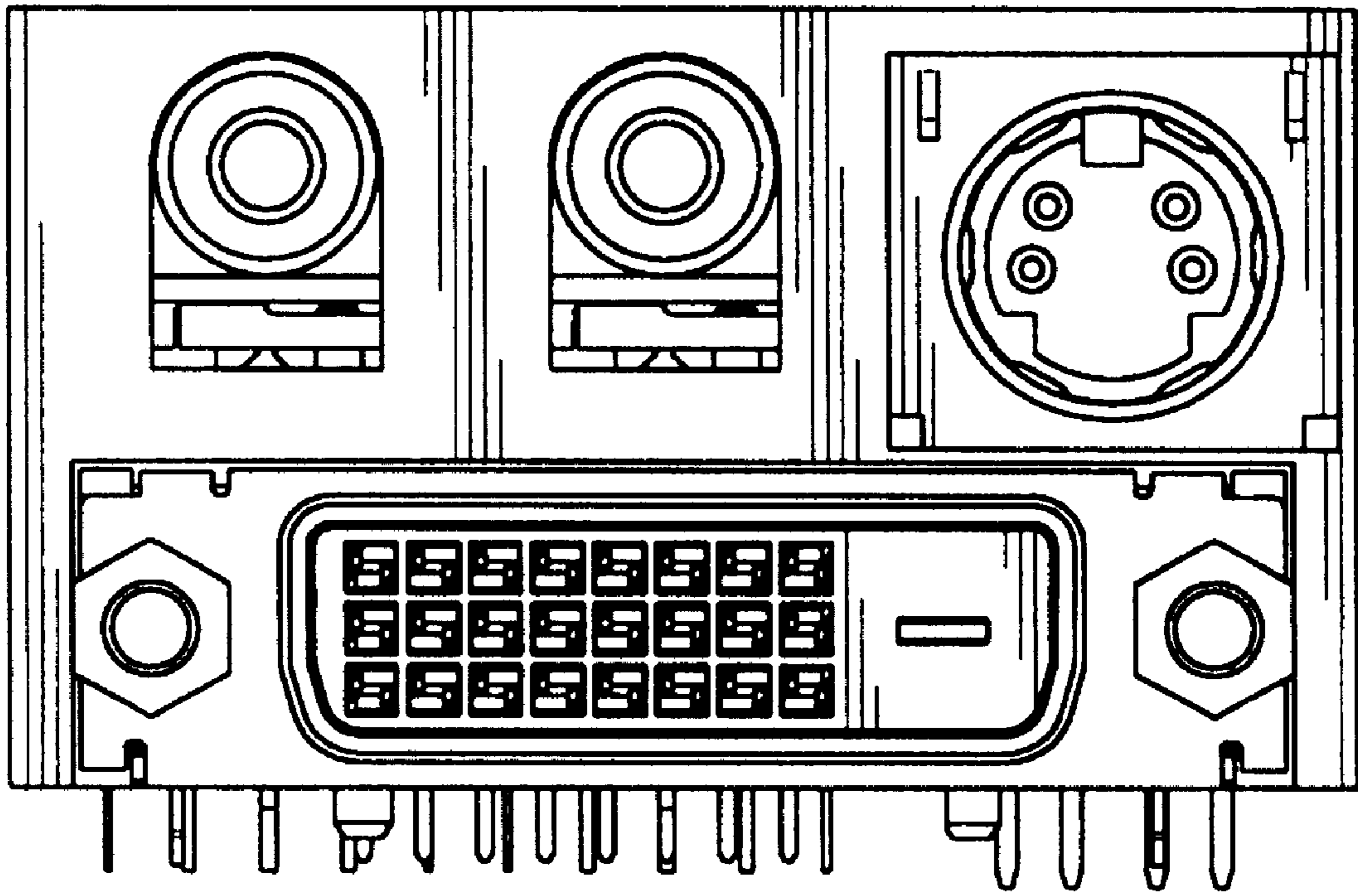


FIG. 2

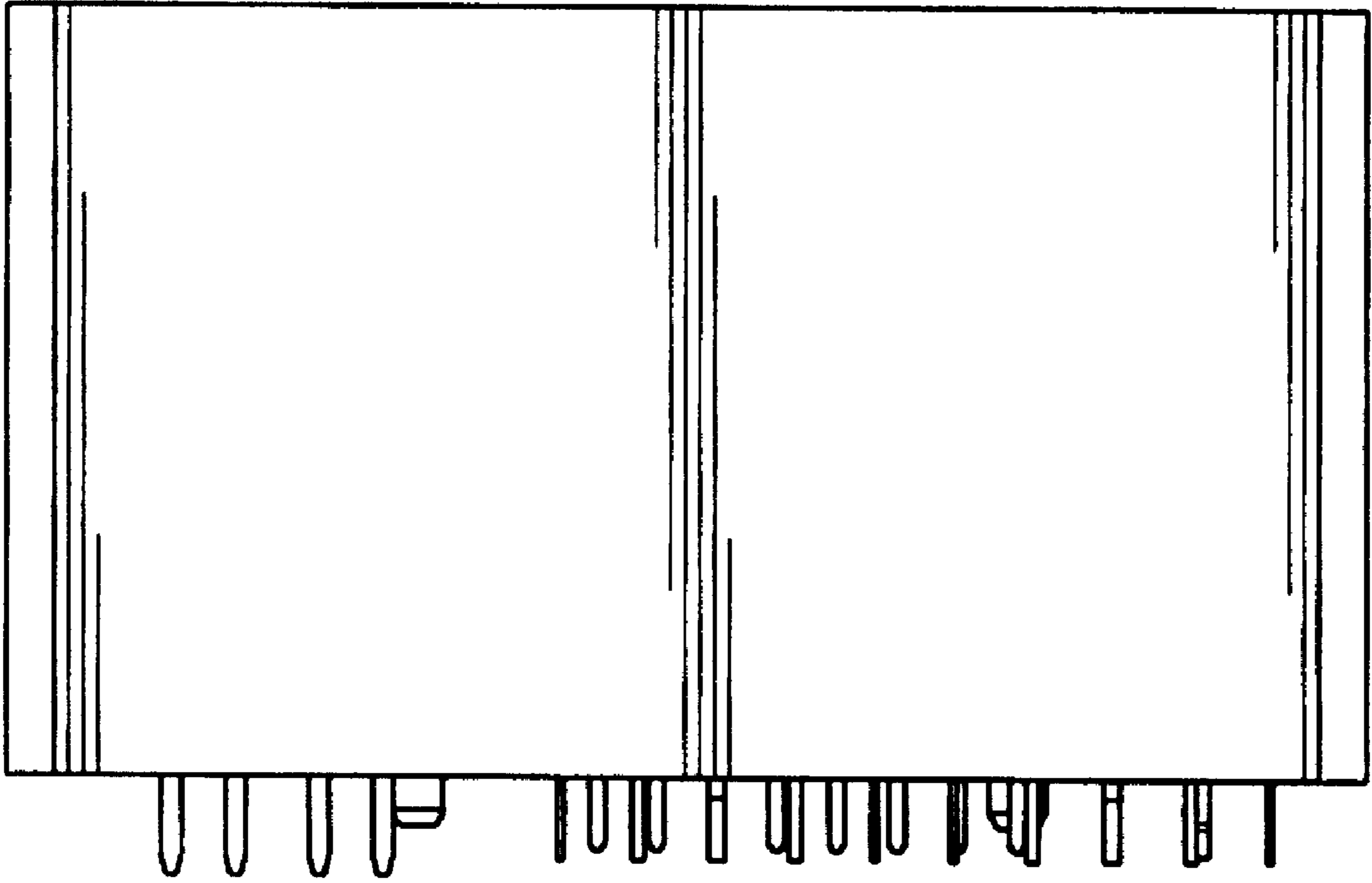


FIG. 3

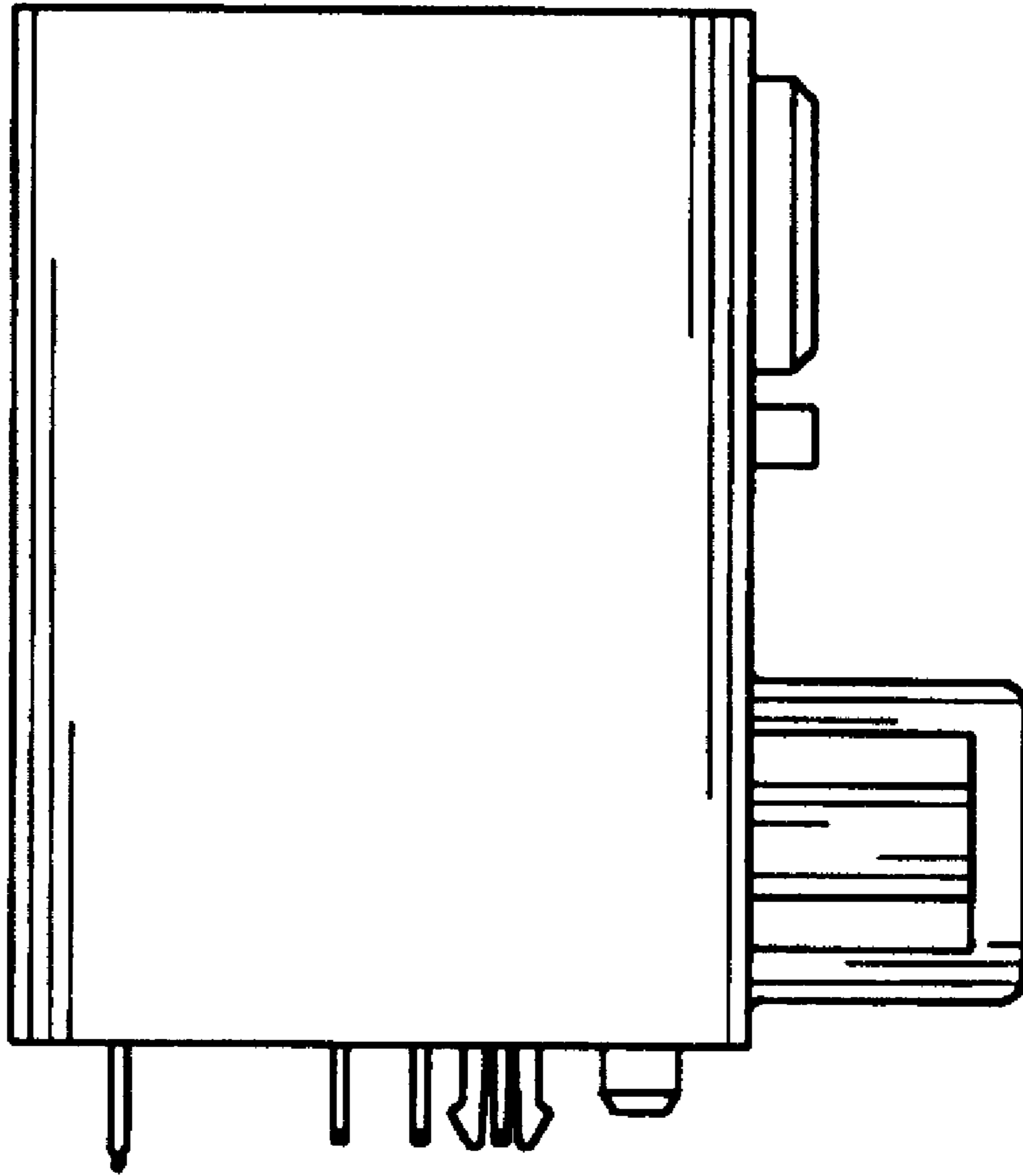


FIG. 4

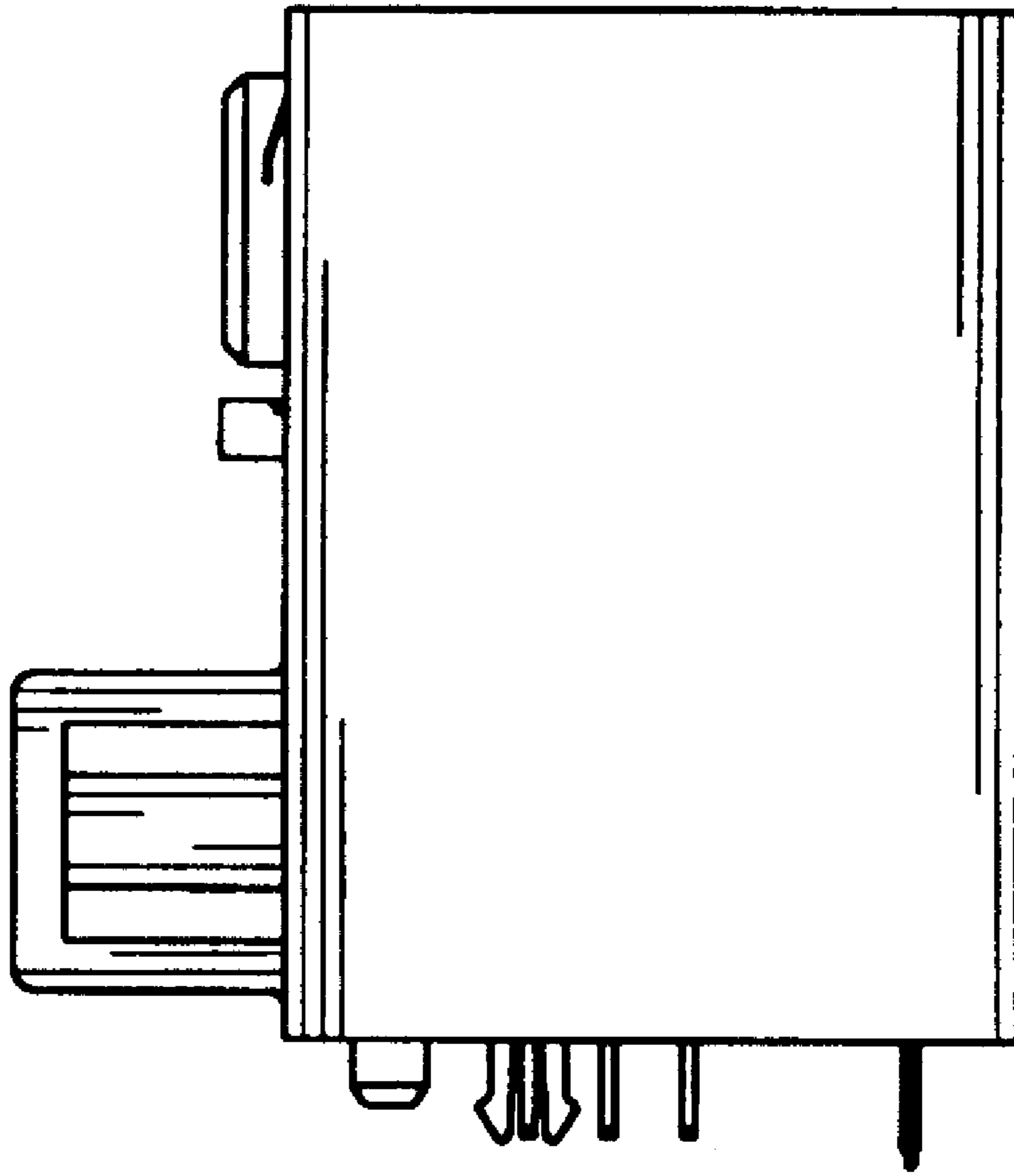


FIG. 5

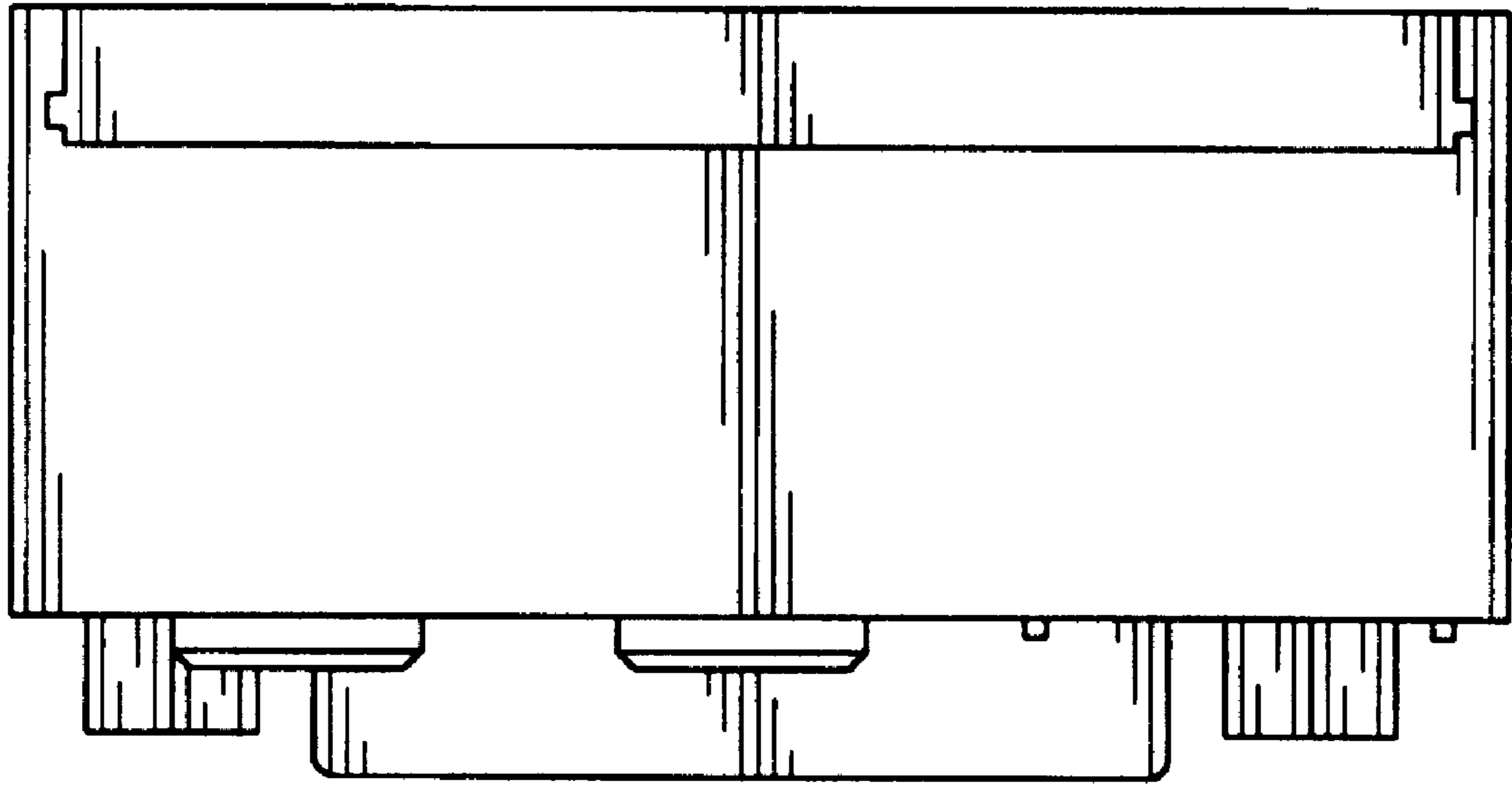


FIG. 6

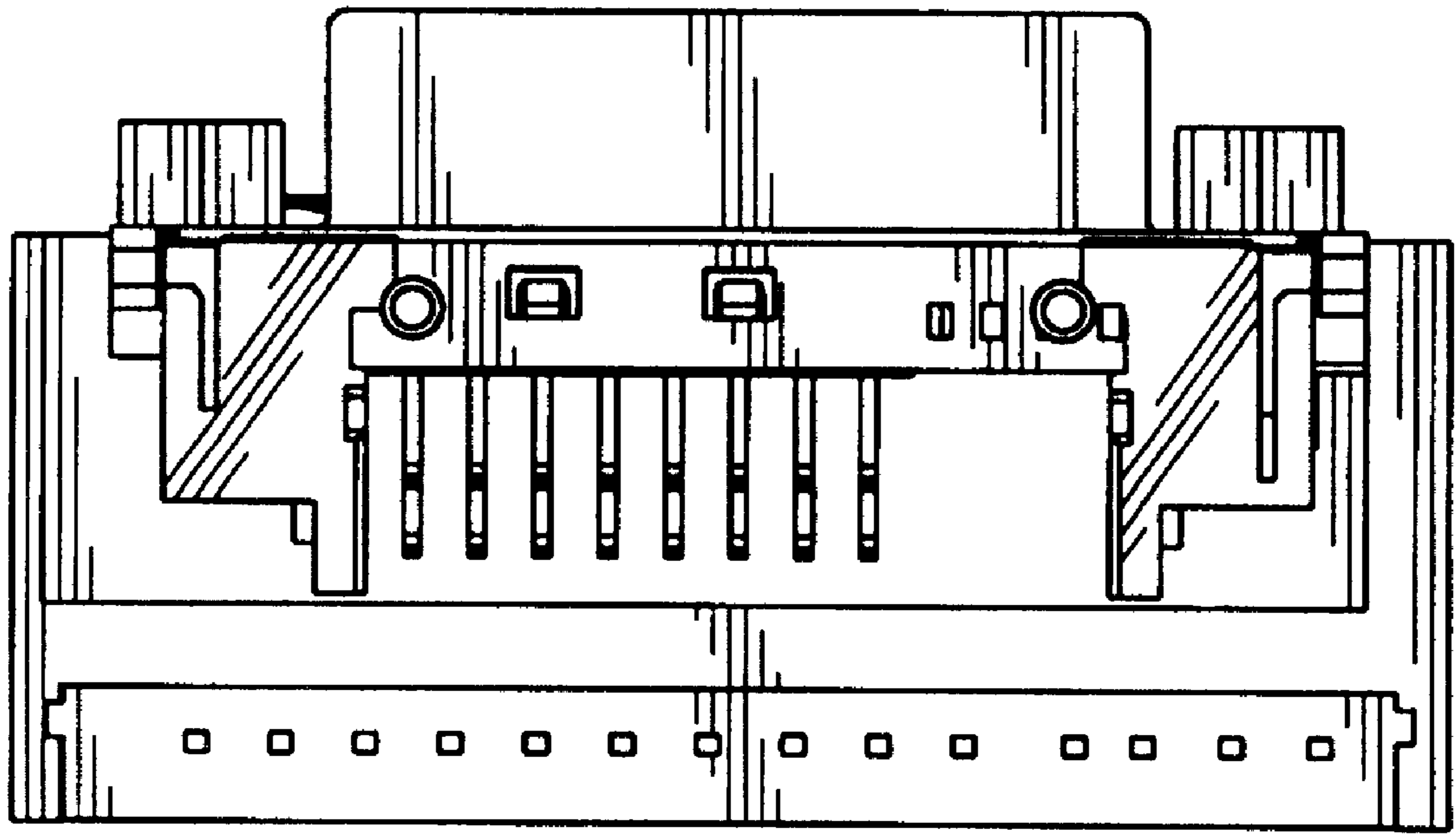


FIG. 7