

US00D453500S

(12) **United States Design Patent**  
**Nakatomi**

(10) **Patent No.:** **US D453,500 S**

(45) **Date of Patent:** **\*\* Feb. 12, 2002**

(54) **ELECTRICAL CONNECTOR**

(75) **Inventor:** **Yuko Nakatomi, Akishima (JP)**

(73) **Assignee:** **Japan Aviation Electronics Industry, Limited, Tokyo (JP)**

(\*\*) **Term:** **14 Years**

(21) **Appl. No.:** **29/141,575**

(22) **Filed:** **May 9, 2001**

(30) **Foreign Application Priority Data**

Nov. 30, 2000 (JP) ..... 2000-037981

(51) **LOC (7) Cl.** ..... **13-03**

(52) **U.S. Cl.** ..... **D13/147**

(58) **Field of Search** ..... D13/146, 147;  
439/108, 607, 608, 677-681, 638, 639,  
752

(56) **References Cited**

**U.S. PATENT DOCUMENTS**

5,102,353	A	*	4/1992	Brunker et al.	.....	439/608
5,125,854	A	*	6/1992	Bassler et al.	.....	439/607
5,547,398	A	*	8/1996	Ichikawa et al.	.....	439/607
D383,440	S	*	9/1997	Ichikawa	.....	D13/147
D398,584	S	*	9/1998	Hirai et al.	.....	D13/147
D403,303	S	*	12/1998	Lai et al.	.....	D13/147

D407,690	S	*	4/1999	Lai et al.	.....	D13/147
D408,014	S	*	4/1999	Lai et al.	.....	D13/147
D414,467	S	*	9/1999	Aizawa et al.	.....	D13/147
6,203,374	B1	*	3/2001	Huang et al.	.....	439/607
6,210,225	B1	*	4/2001	Cai et al.	.....	439/607

\* cited by examiner

*Primary Examiner*—Joel Sincavage

(74) *Attorney, Agent, or Firm*—Michael Best & Friedrich LLC

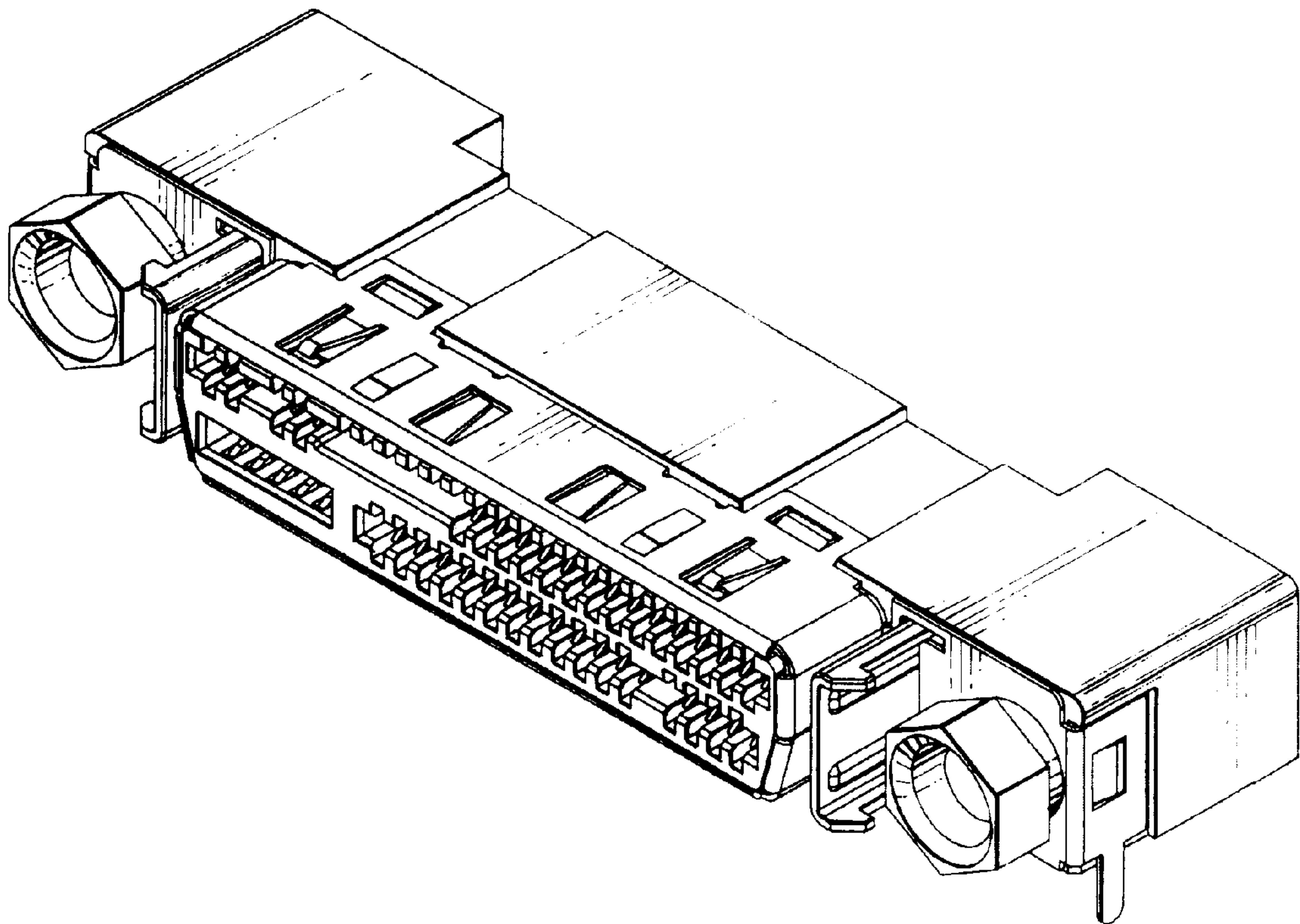
(57) **CLAIM**

The ornamental design for an electrical connector, as shown and described.

**DESCRIPTION**

FIG. 1 is a front elevational view of an electrical connector; FIG. 2 is a rear elevational view thereof; FIG. 3 is a left side elevational view thereof; FIG. 4 is a right side elevational view thereof; FIG. 5 is an enlarged cross-sectional view thereof along a line 5—5 in FIG. 1; FIG. 6 is an enlarged cross-sectional view thereof along a line 6—6 in FIG. 1; FIG. 7 is a top plan view thereof; FIG. 8 is a bottom plan view thereof; and, FIG. 9 is a front, top, and right side perspective view thereof.

**1 Claim, 4 Drawing Sheets**



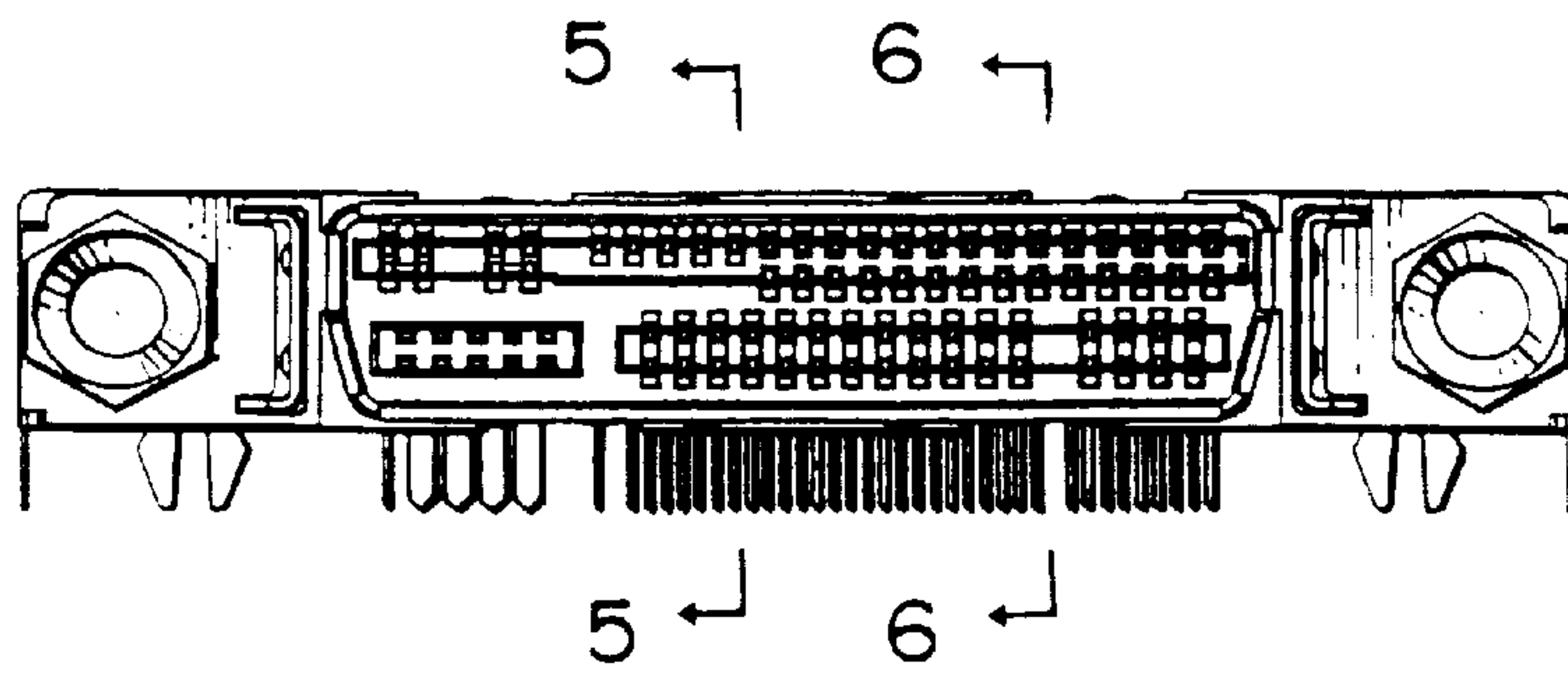


FIG. 1

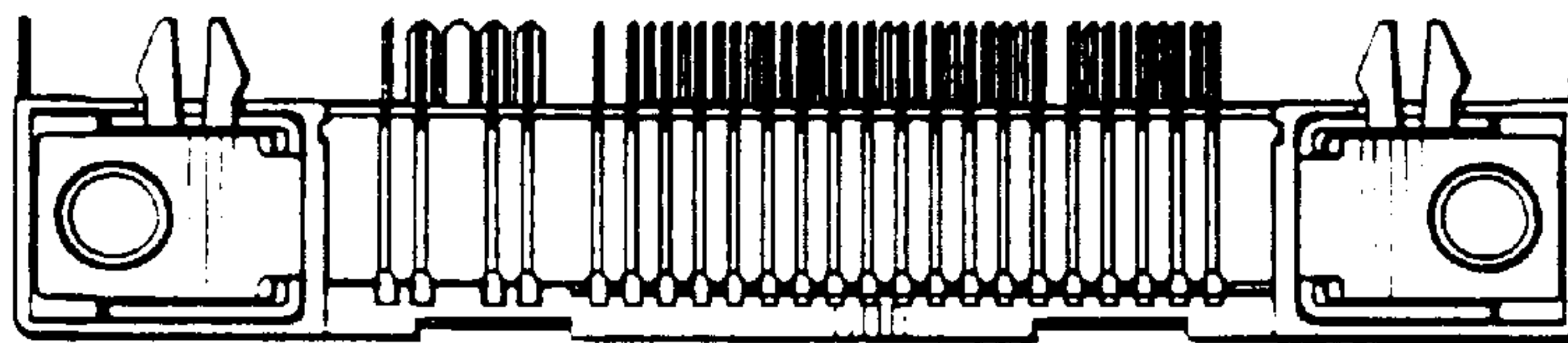


FIG. 2

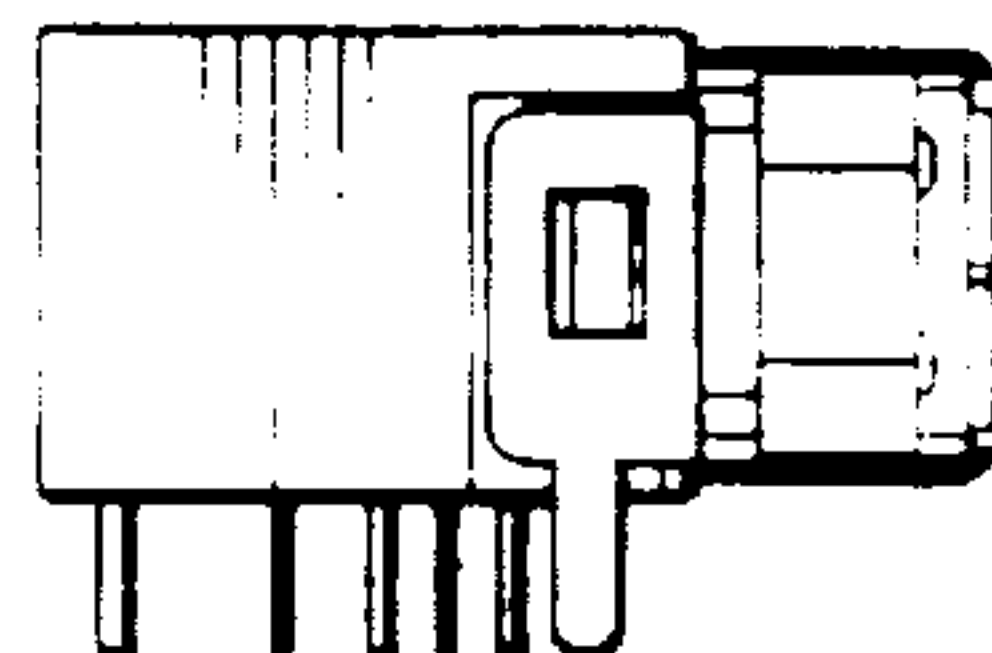


FIG. 3

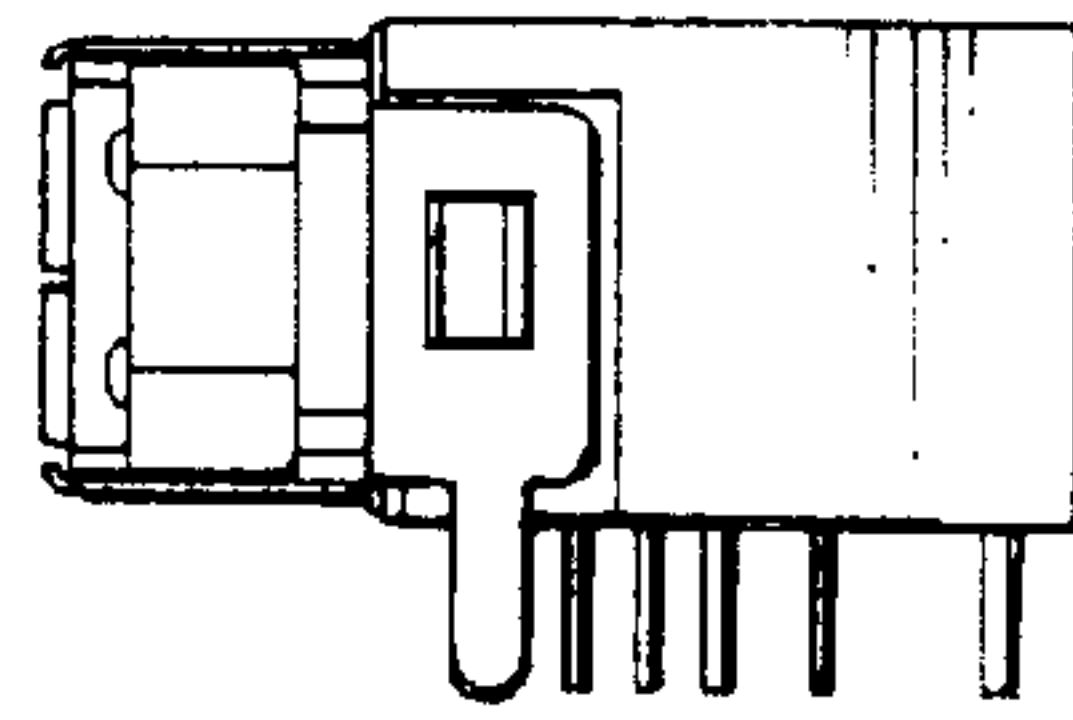


FIG. 4

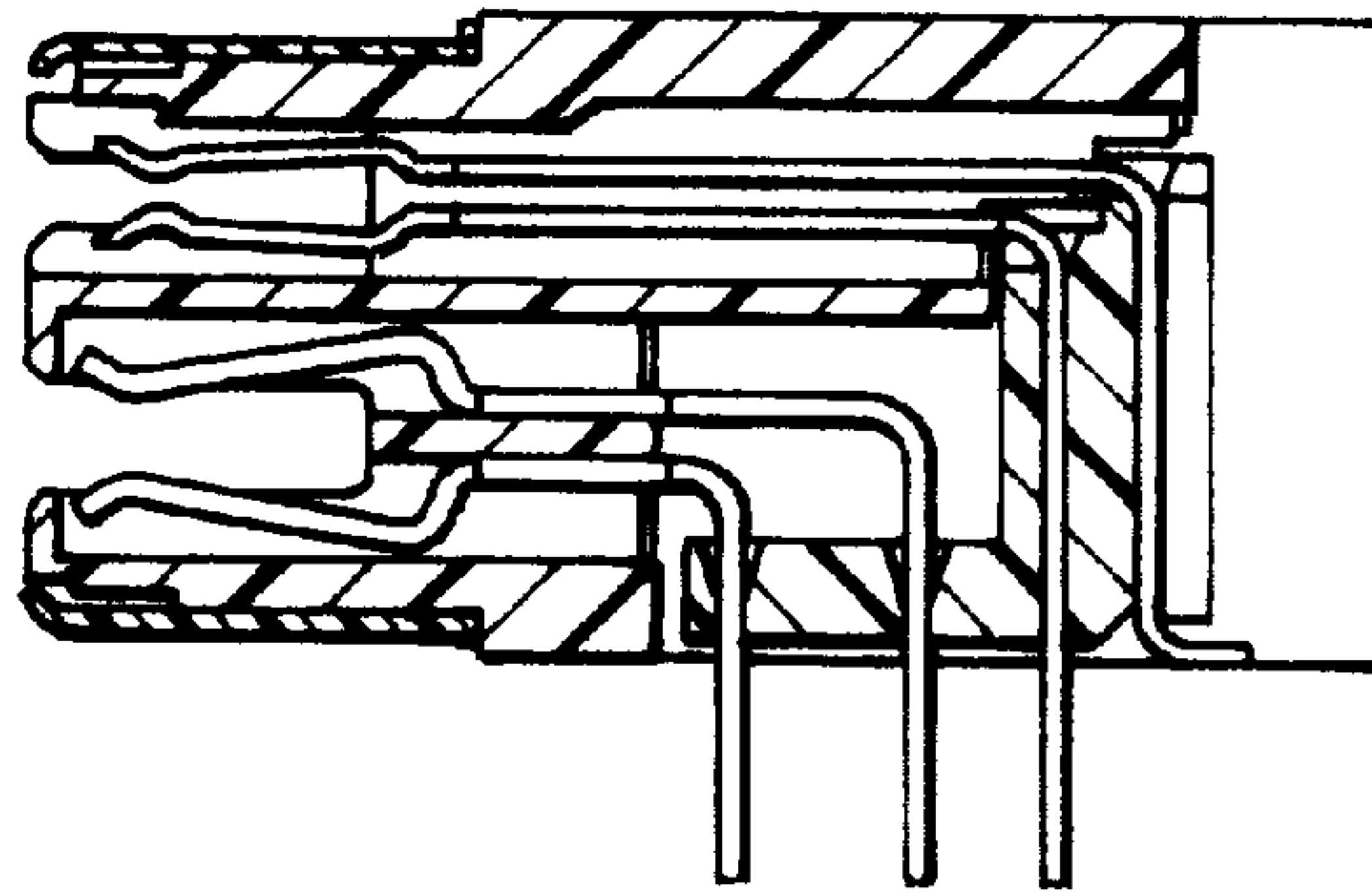


FIG. 5

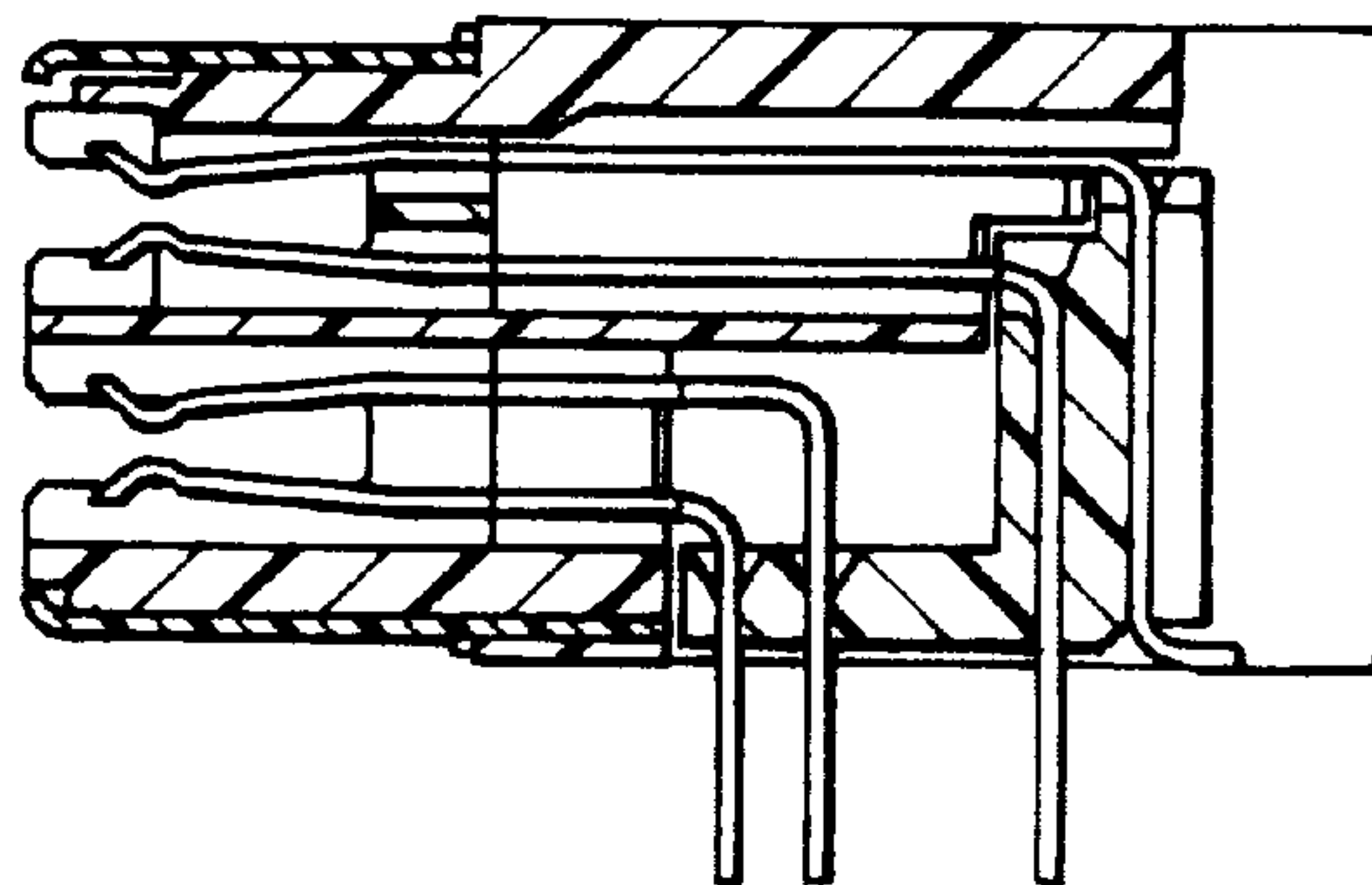


FIG. 6

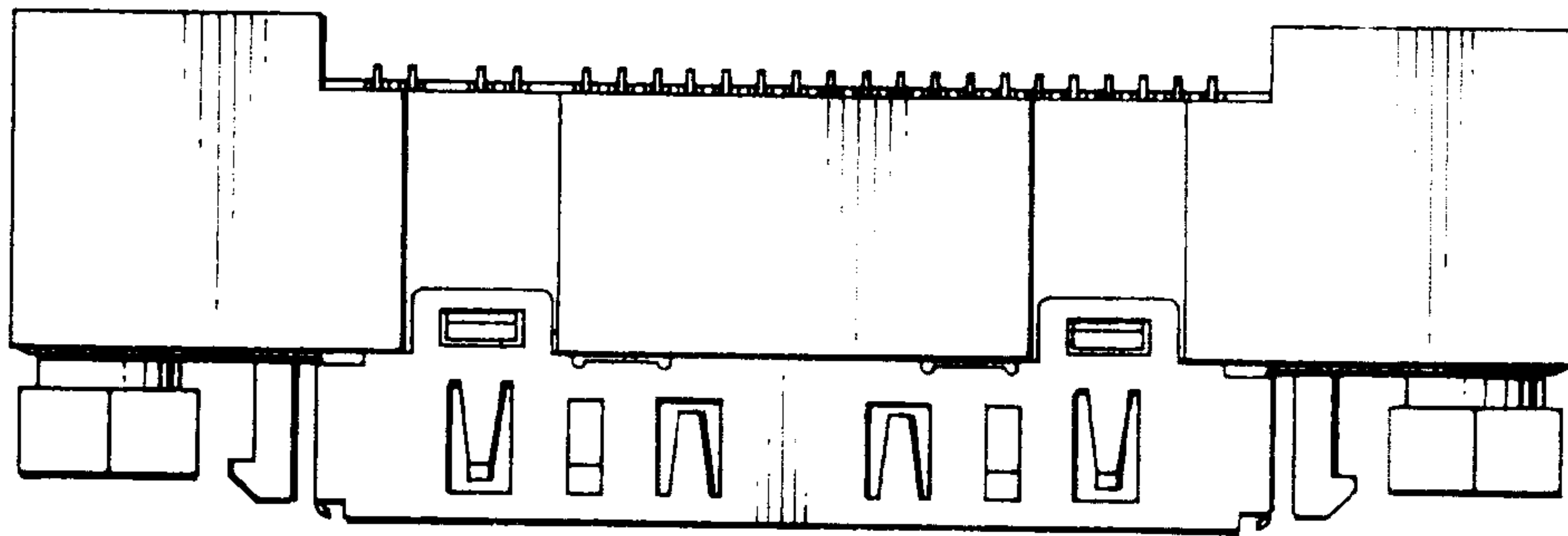


FIG. 7

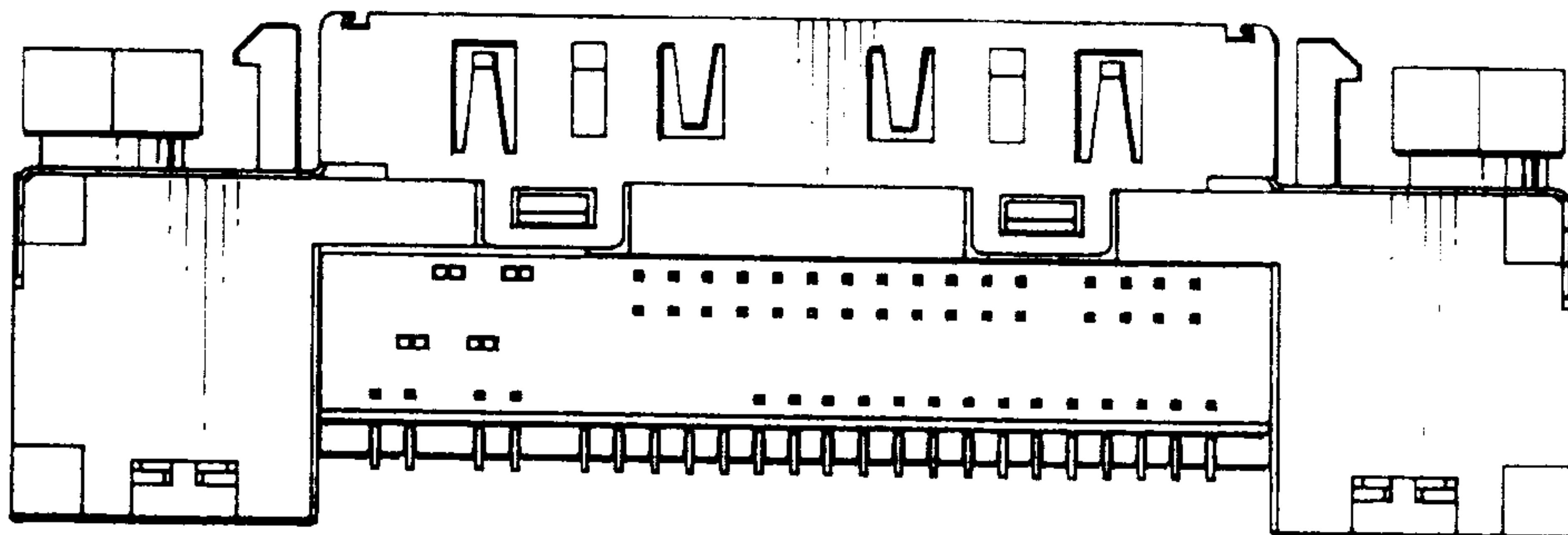


FIG. 8

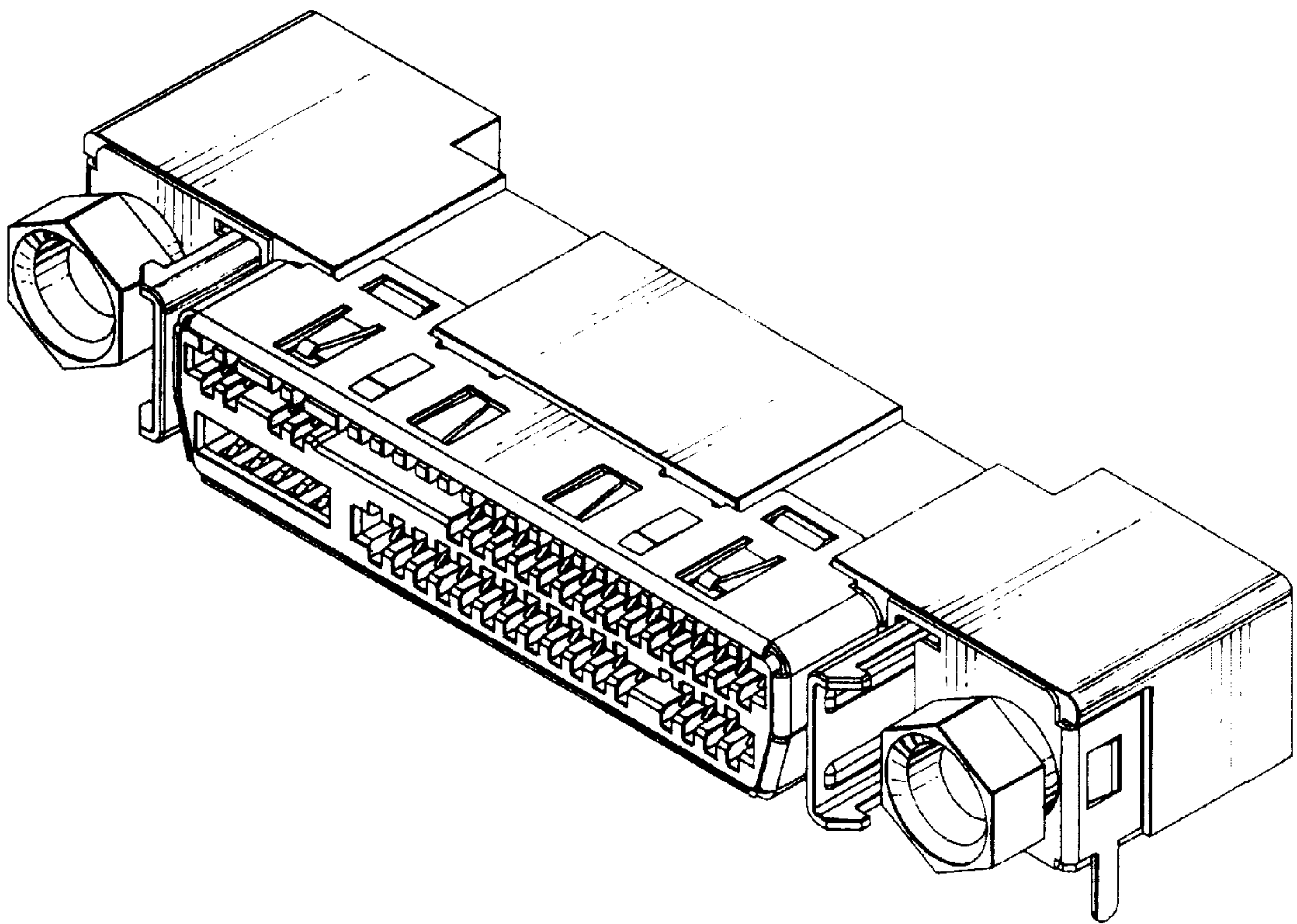


FIG. 9