



US00D453499S

(12) **United States Design Patent**
Hisada et al.

(10) **Patent No.:** **US D453,499 S**

(45) **Date of Patent:** **** Feb. 12, 2002**

(54) **ELECTRIC CONNECTOR**

(75) Inventors: **Koji Hisada; Koji Togashi; Mitsuhiro Yoshida**, all of Tokyo (JP)

(73) Assignee: **SMK Corporation**, Tokyo (JP)

(**) Term: **14 Years**

(21) Appl. No.: **29/136,136**

(22) Filed: **Jan. 26, 2001**

(30) **Foreign Application Priority Data**

Sep. 14, 2000 (JP) 2000-030010

(51) **LOC (7) Cl.** **13-03**

(52) **U.S. Cl.** **D13/147**

(58) **Field of Search** D13/146, 147;
439/607-610, 581

(56) **References Cited**

U.S. PATENT DOCUMENTS

- 5,454,734 A * 10/1995 Eggert et al. 439/581 X
- D375,293 S * 11/1996 Suzuki D13/147
- D408,788 S * 4/1999 Homma D13/147
- D410,896 S * 6/1999 Yotsutani et al. D13/147
- 5,967,846 A * 10/1999 Davis et al. 439/609

- D416,863 S * 11/1999 Sato et al. D13/147
- D418,479 S * 1/2000 Chiou D13/147
- 6,083,046 A * 7/2000 Wu et al. 439/607
- D431,531 S * 10/2000 Chih D13/147
- D434,386 S * 11/2000 Wu D13/147
- 6,241,556 B1 * 6/2001 Chih 439/607

* cited by examiner

Primary Examiner—Joel Sincavage

(74) *Attorney, Agent, or Firm*—Sughrue Mion, PLLC

(57) **CLAIM**

The ornamental design for an electric connector, as shown.

DESCRIPTION

FIG. 1 is a perspective view of the top, front and right side of an electric connector showing our new design;

FIG. 2 is a perspective view of the bottom, rear and left side thereof;

FIG. 3 is a front view thereof;

FIG. 4 is a rear view thereof;

FIG. 5 is a top view thereof;

FIG. 6 is a bottom view thereof;

FIG. 7 is a right side view thereof; and,

FIG. 8 is a left side view thereof.

1 Claim, 4 Drawing Sheets

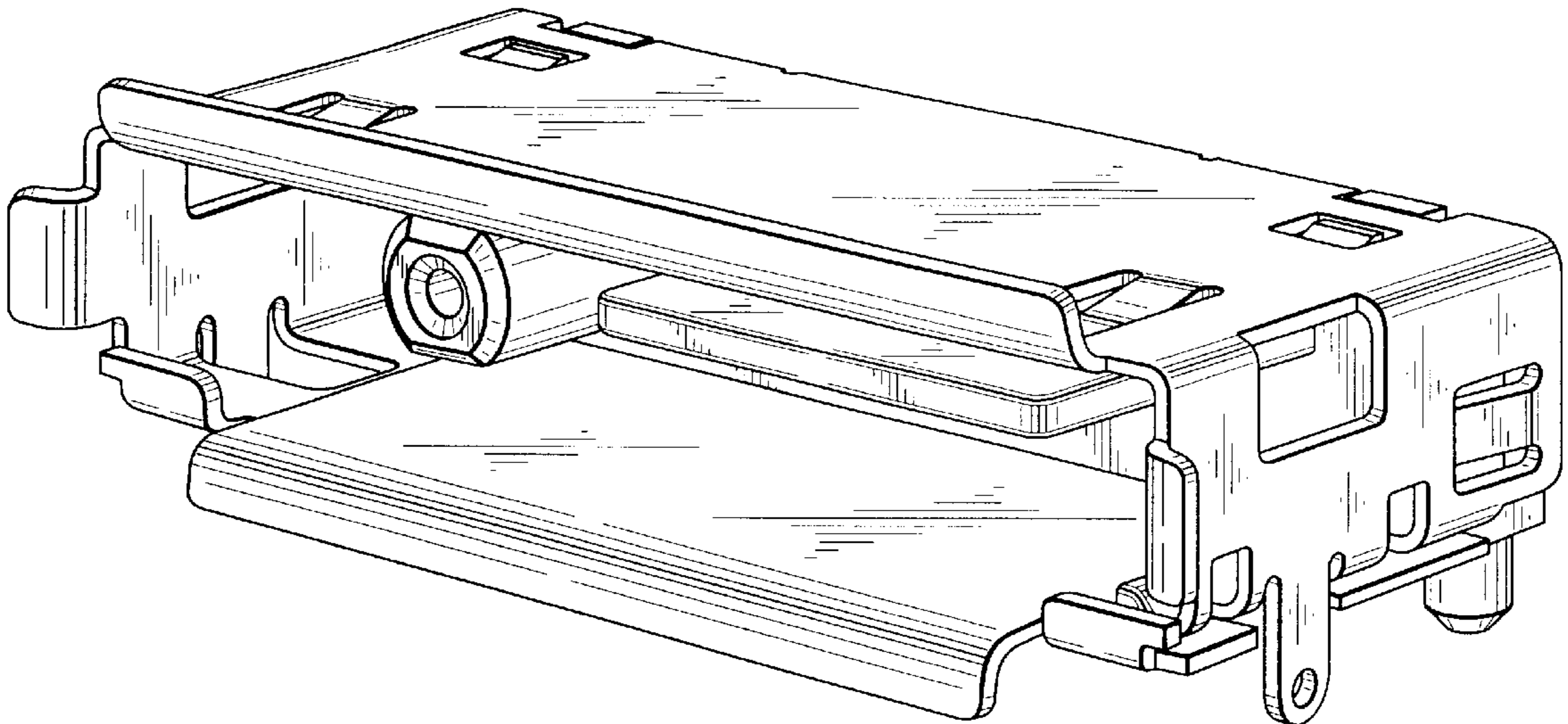


FIG. 1

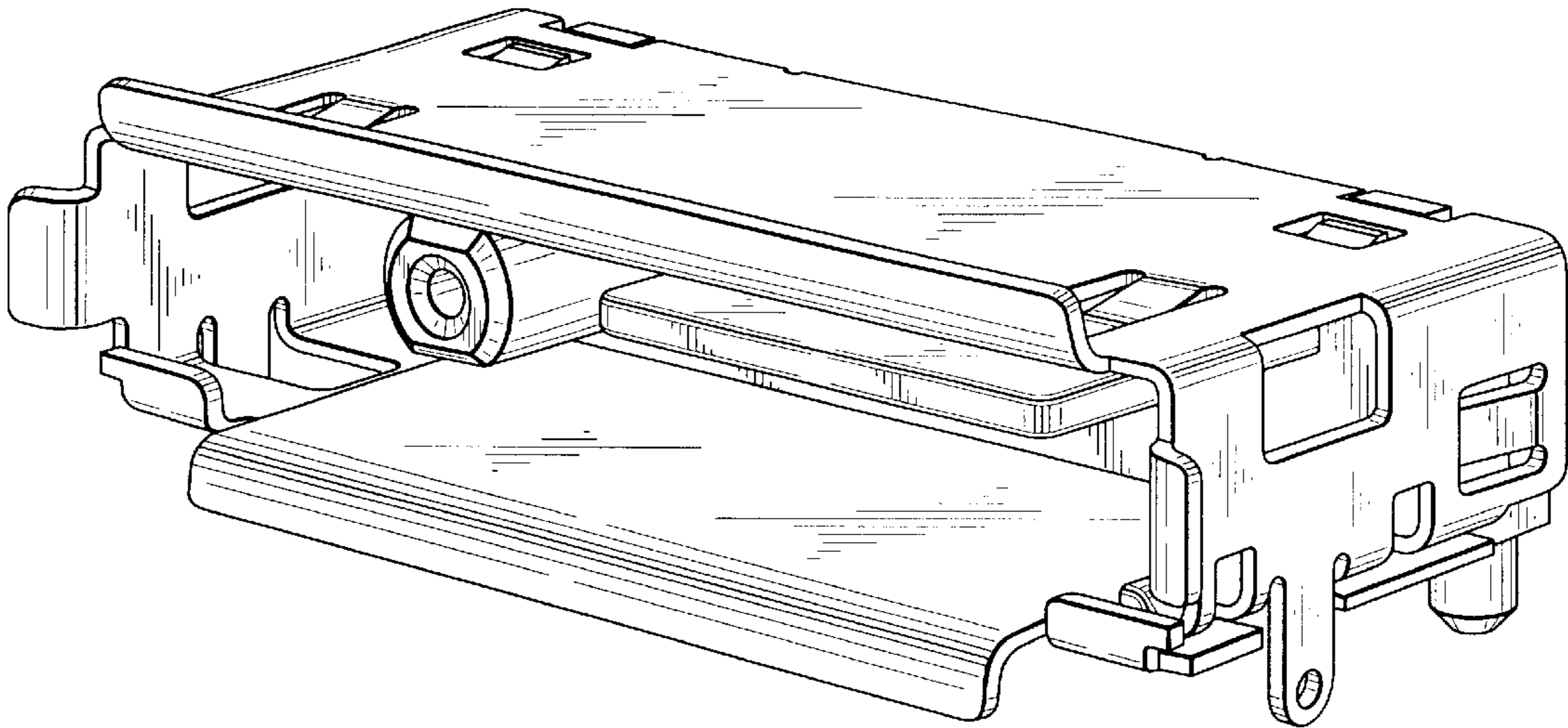


FIG. 2

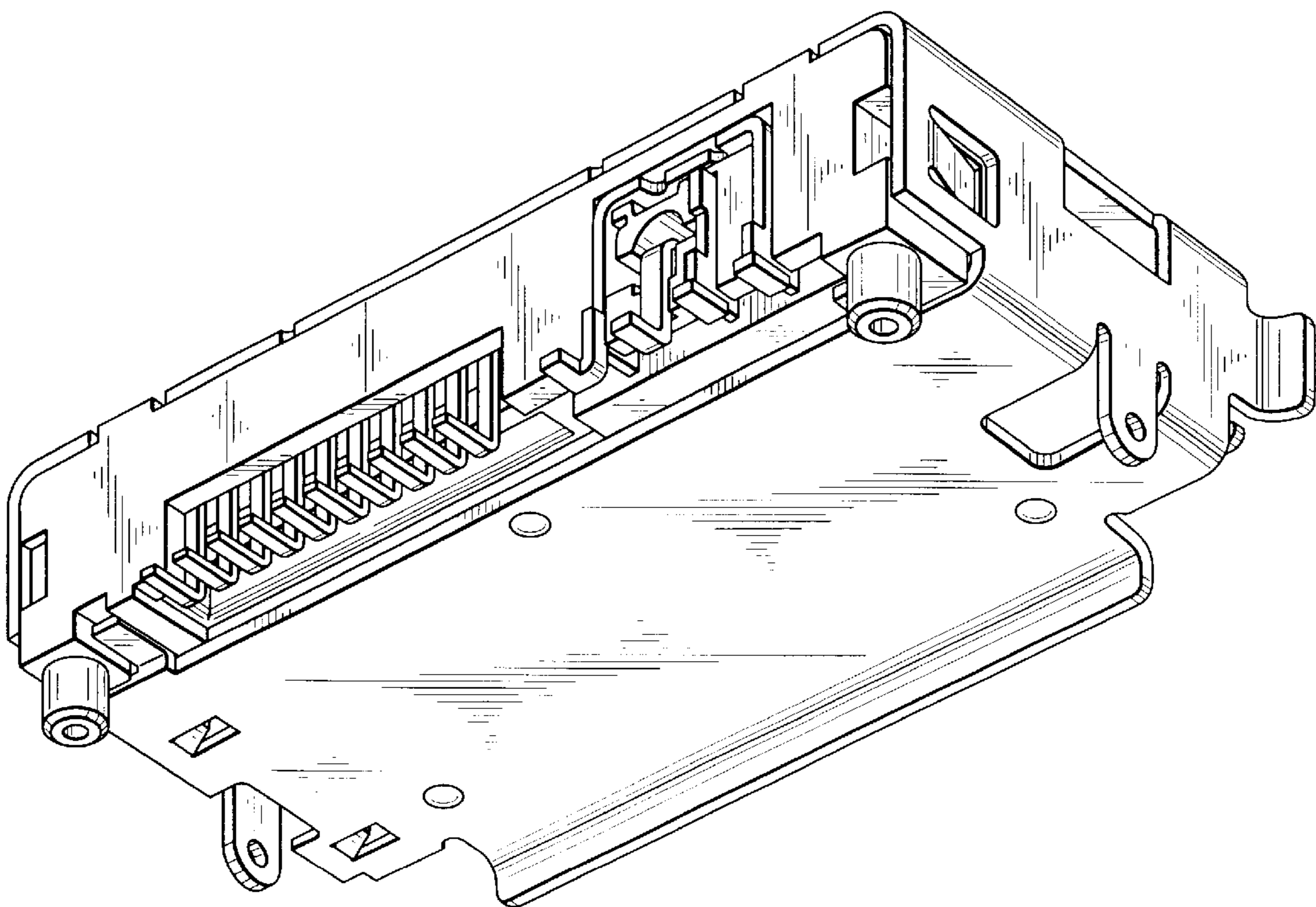


FIG. 3

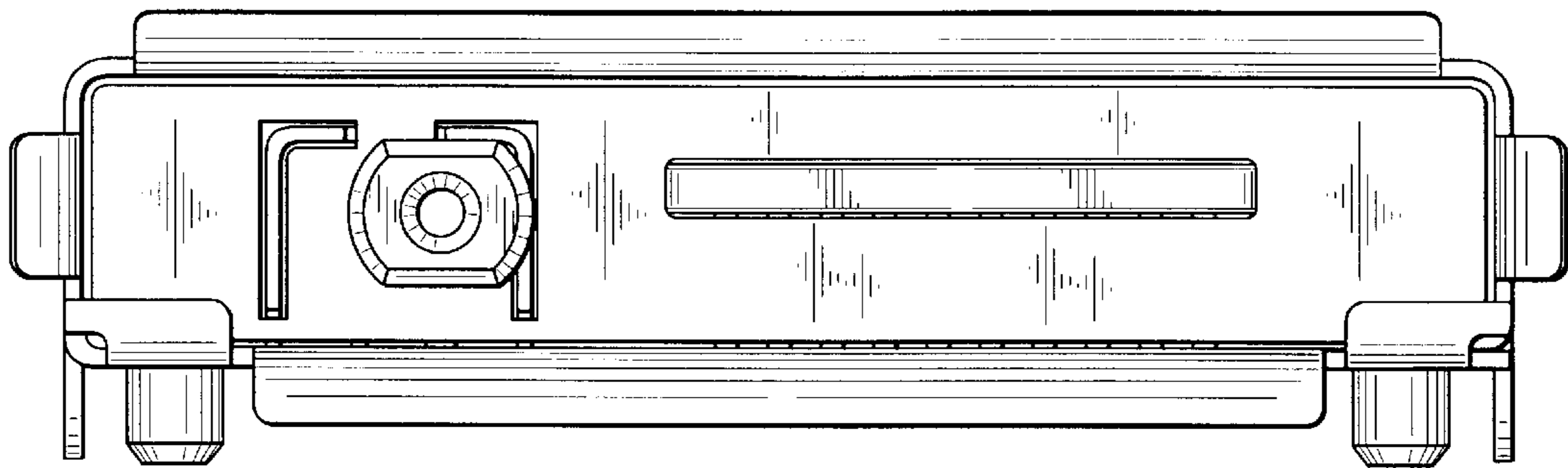


FIG. 4

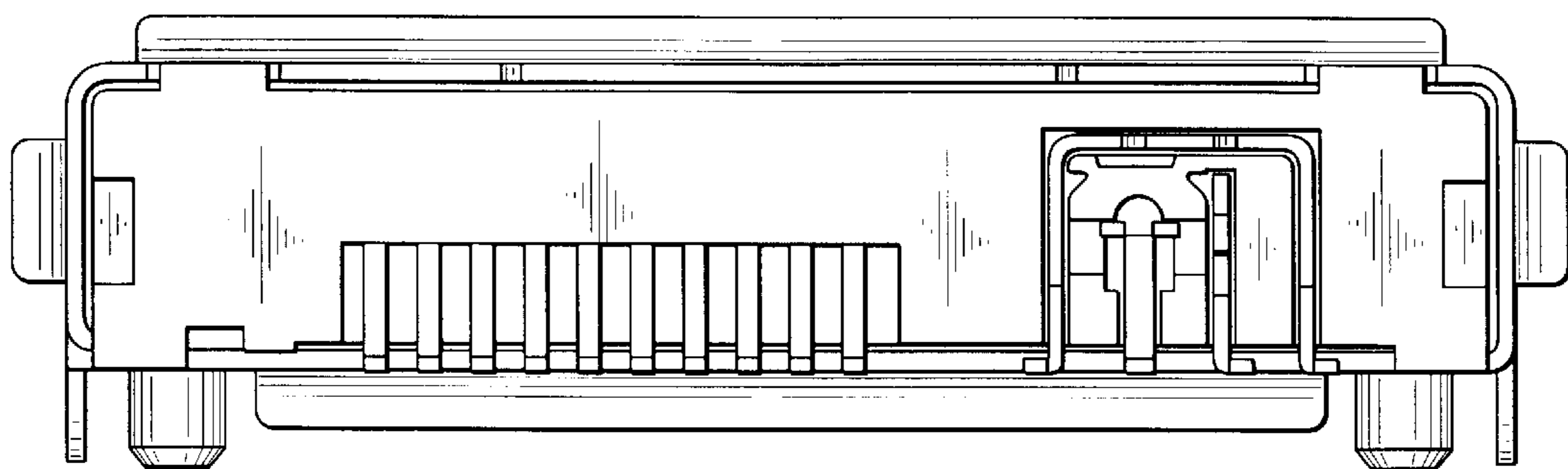


FIG. 5

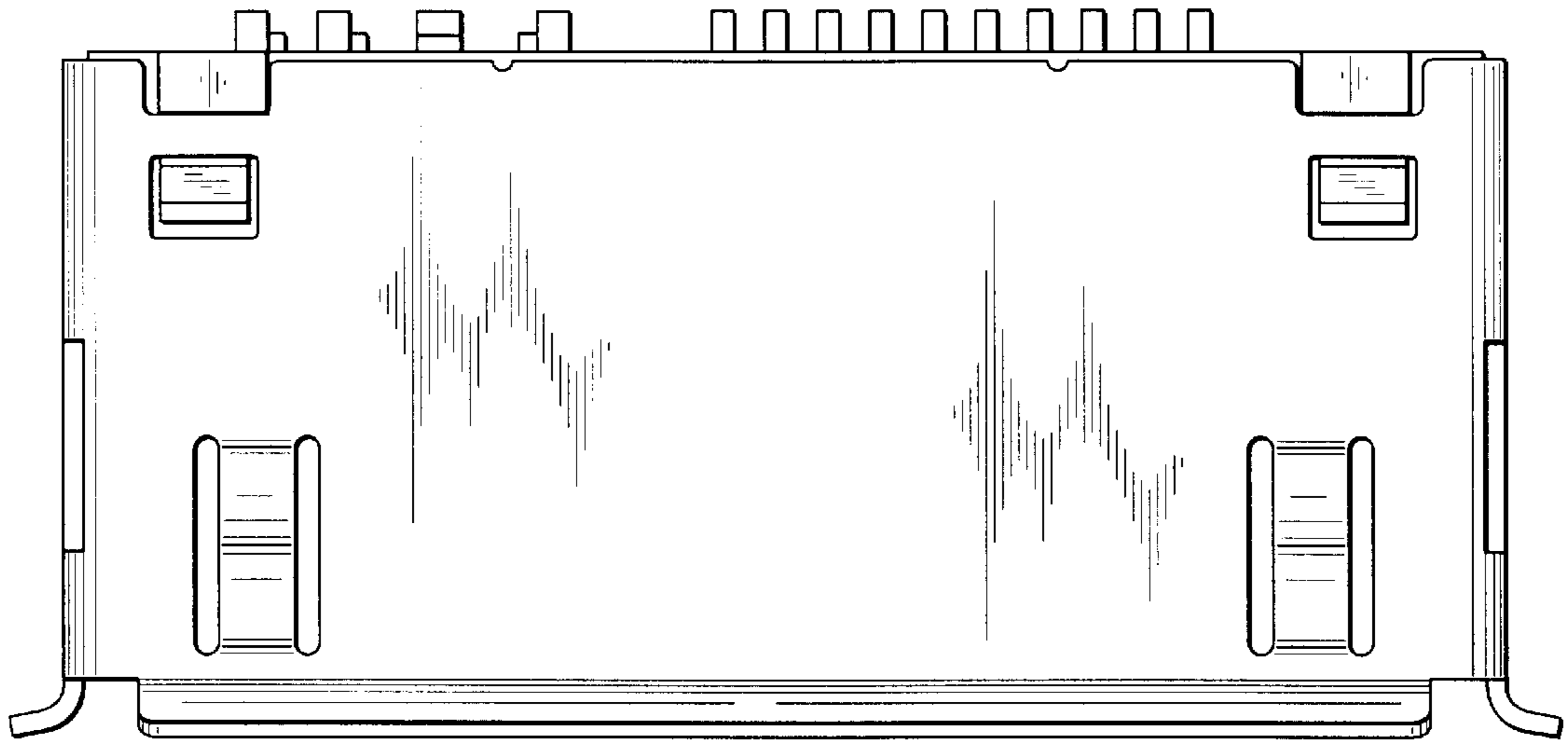


FIG. 6

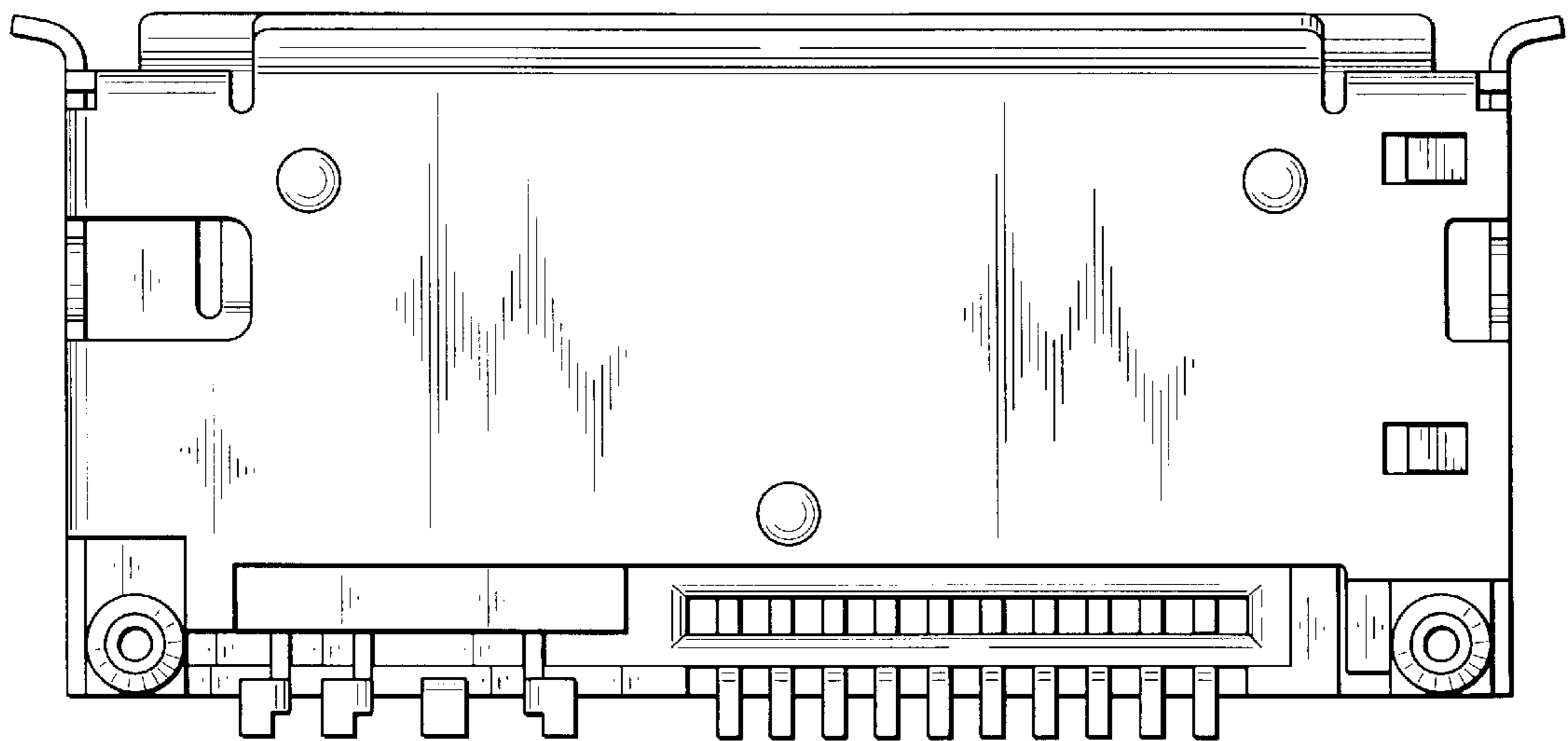


FIG. 7

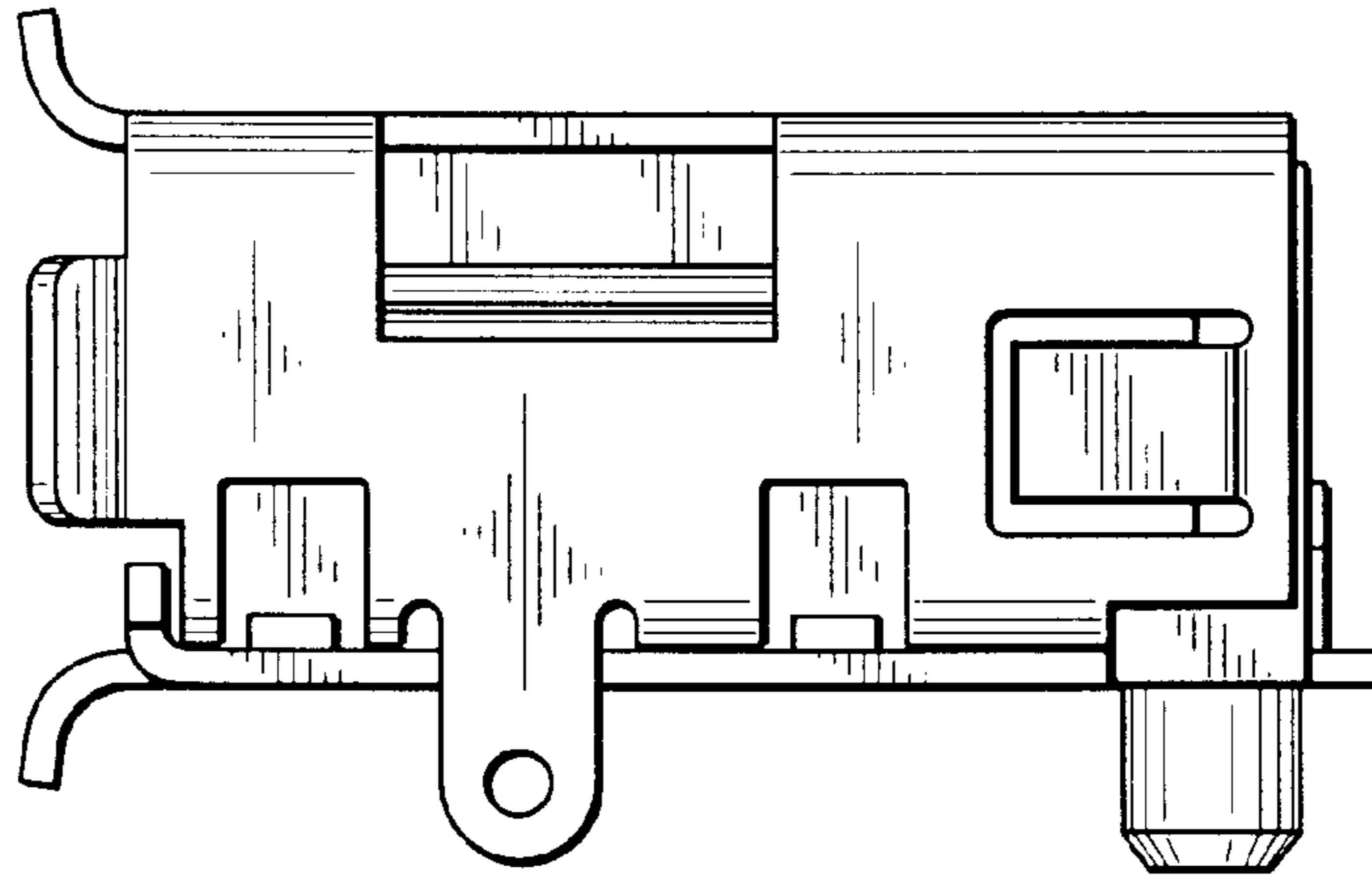


FIG. 8

