



US00D453497S

(12) **United States Design Patent**
Stekelenburg

(10) **Patent No.:** **US D453,497 S**

(45) **Date of Patent:** **** Feb. 12, 2002**

(54) **OUTDOOR STAKE WITH OUTLETS**

(75) Inventor: **Albert Stekelenburg**, Taipei (TW)

(73) Assignee: **All-Line, Inc.** (TW)

(**) Term: **14 Years**

(21) Appl. No.: **29/141,309**

(22) Filed: **May 4, 2001**

(51) **LOC (7) Cl.** **13-03**

(52) **U.S. Cl.** **D13/139.4**

(58) **Field of Search** D13/137.2, 139.4;
439/502, 535, 536, 378, 650-655

(56) **References Cited**

U.S. PATENT DOCUMENTS

- 5,562,341 A * 10/1996 Strauss 439/535 X
- 5,879,184 A * 3/1999 Lopez 439/502
- D431,477 S * 10/2000 Stekelenburg D13/139.4 X

6,296,522 B1 * 10/2001 Ho 439/654 X

* cited by examiner

Primary Examiner—Jennifer Rivard

(74) *Attorney, Agent, or Firm*—Troxell Law Office PLLC

(57) **CLAIM**

The ornamental design for a outdoor stake with outlets, as shown and described.

DESCRIPTION

FIG. 1 is a top view of a outdoor stake with outlets showing the preferred embodiment of my new design;

FIG. 2 is a front view thereof;

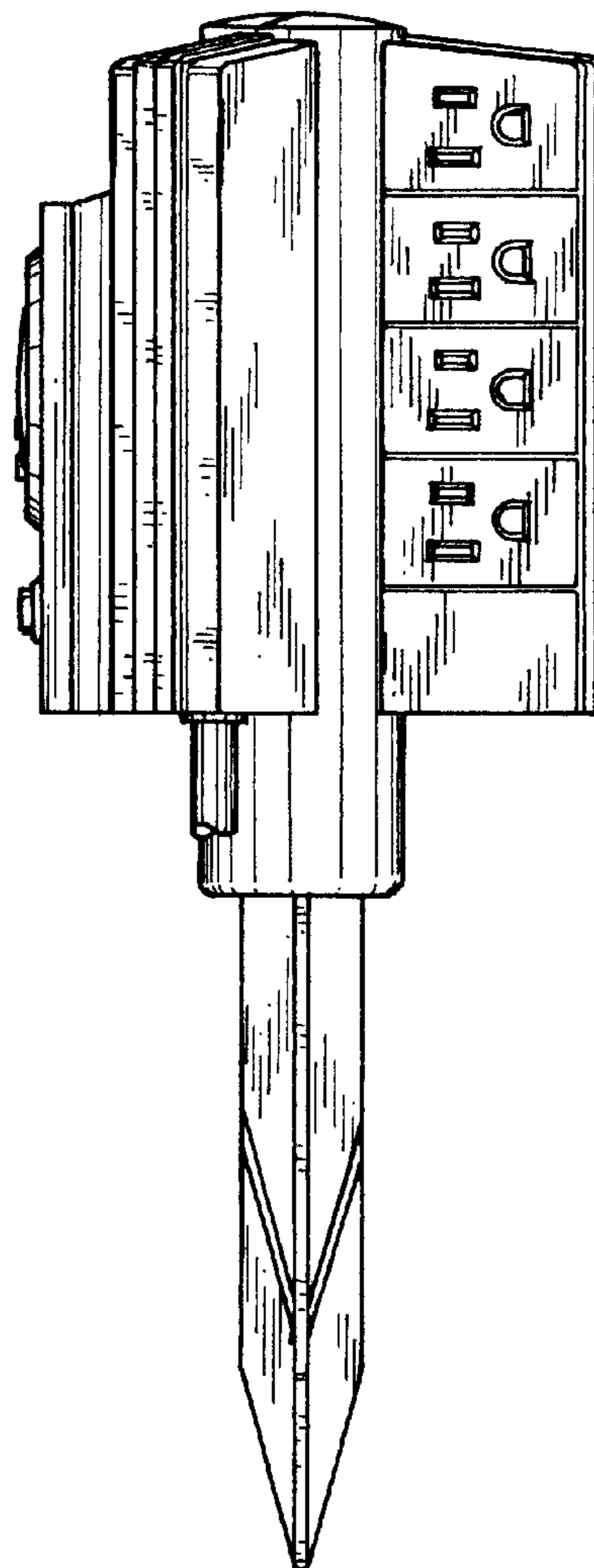
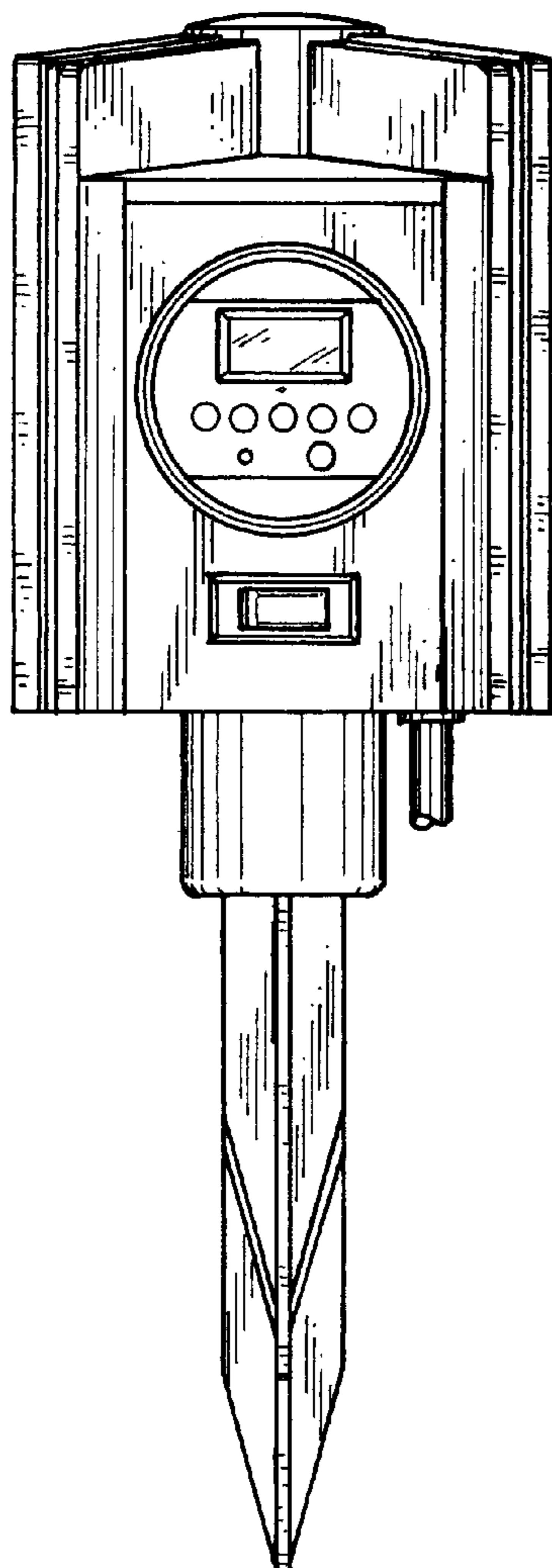
FIG. 3 is a right side elevational view thereof;

FIG. 4 is a bottom view thereof;

FIG. 5 is a rear view thereof; and,

FIG. 6 is a left side elevational view thereof.

1 Claim, 2 Drawing Sheets



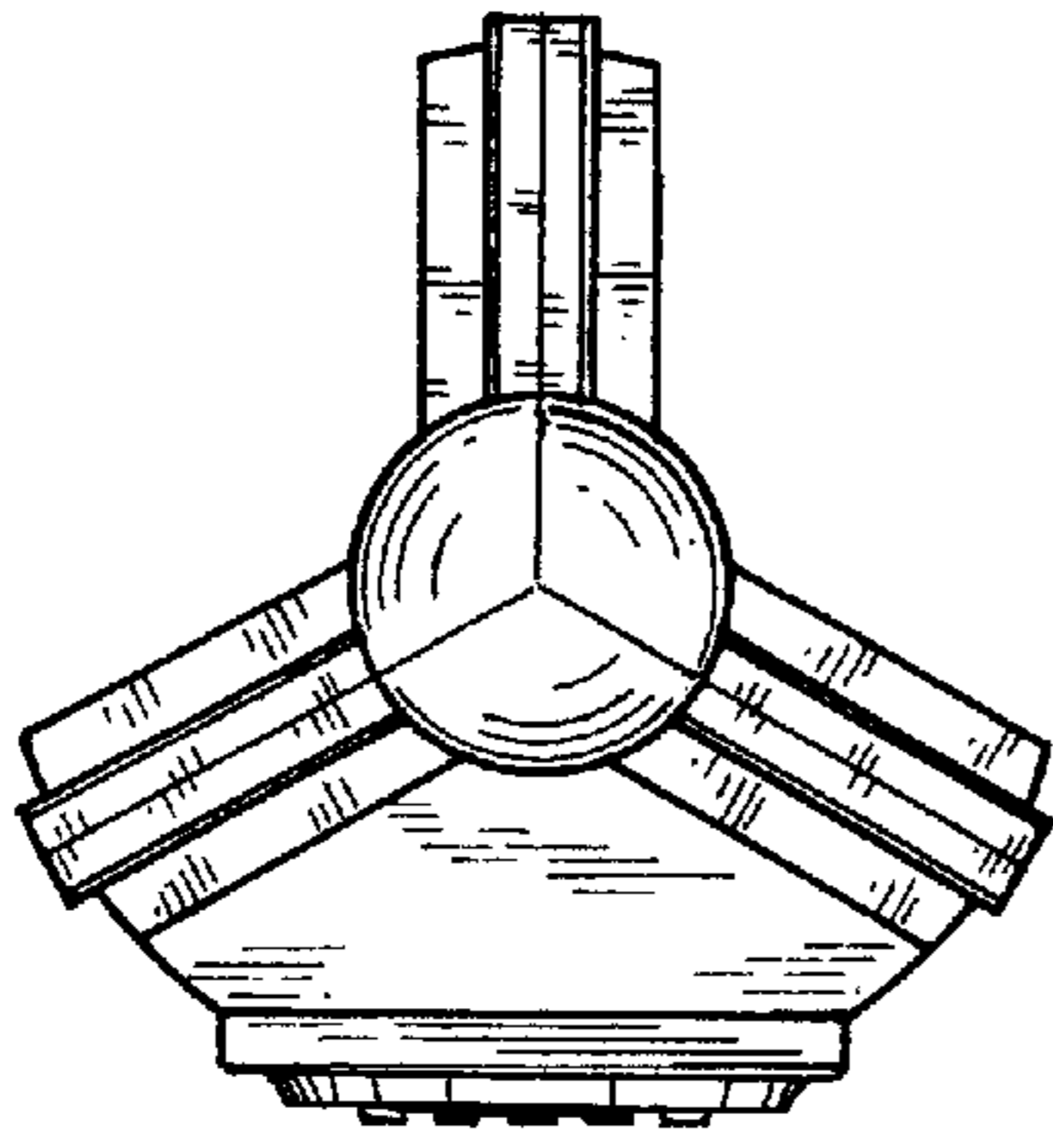


FIG. 1

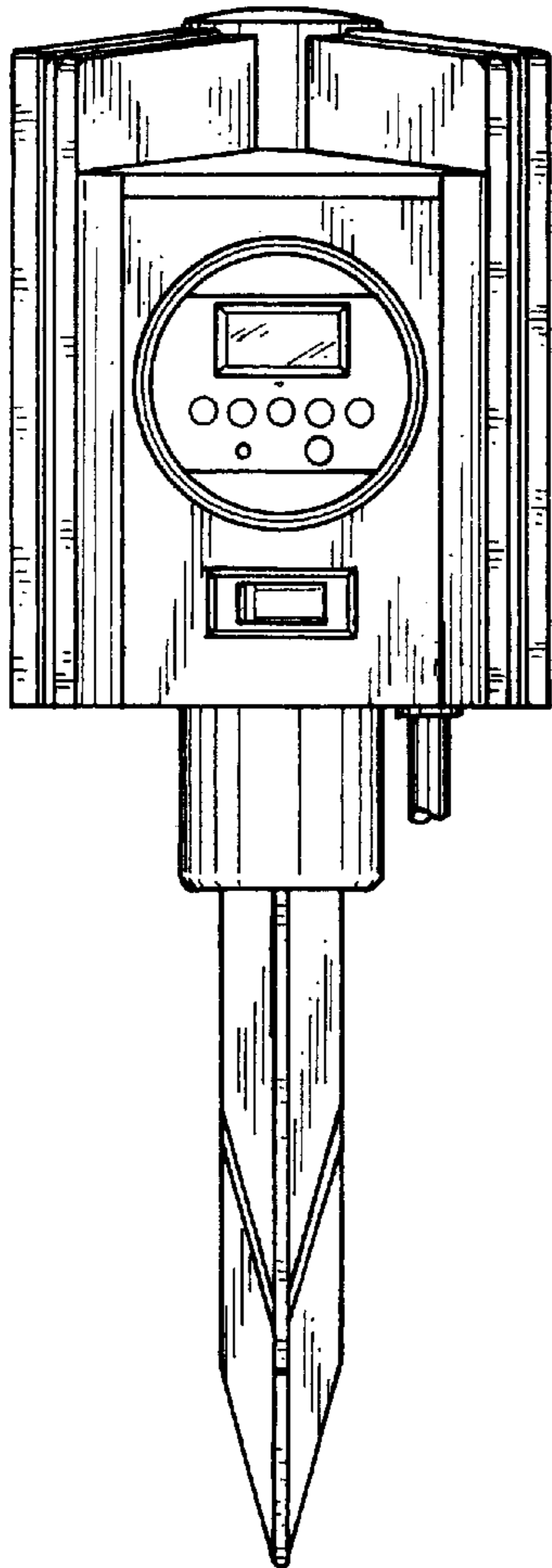


FIG. 2

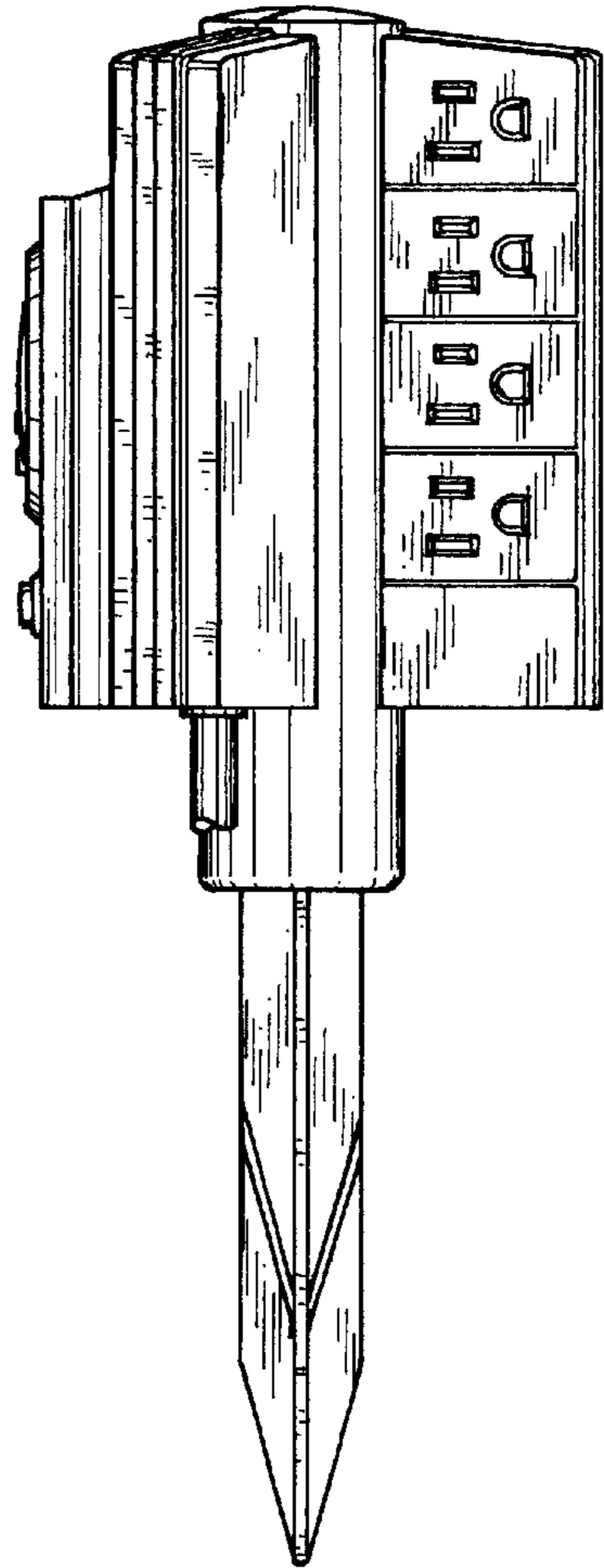


FIG. 3

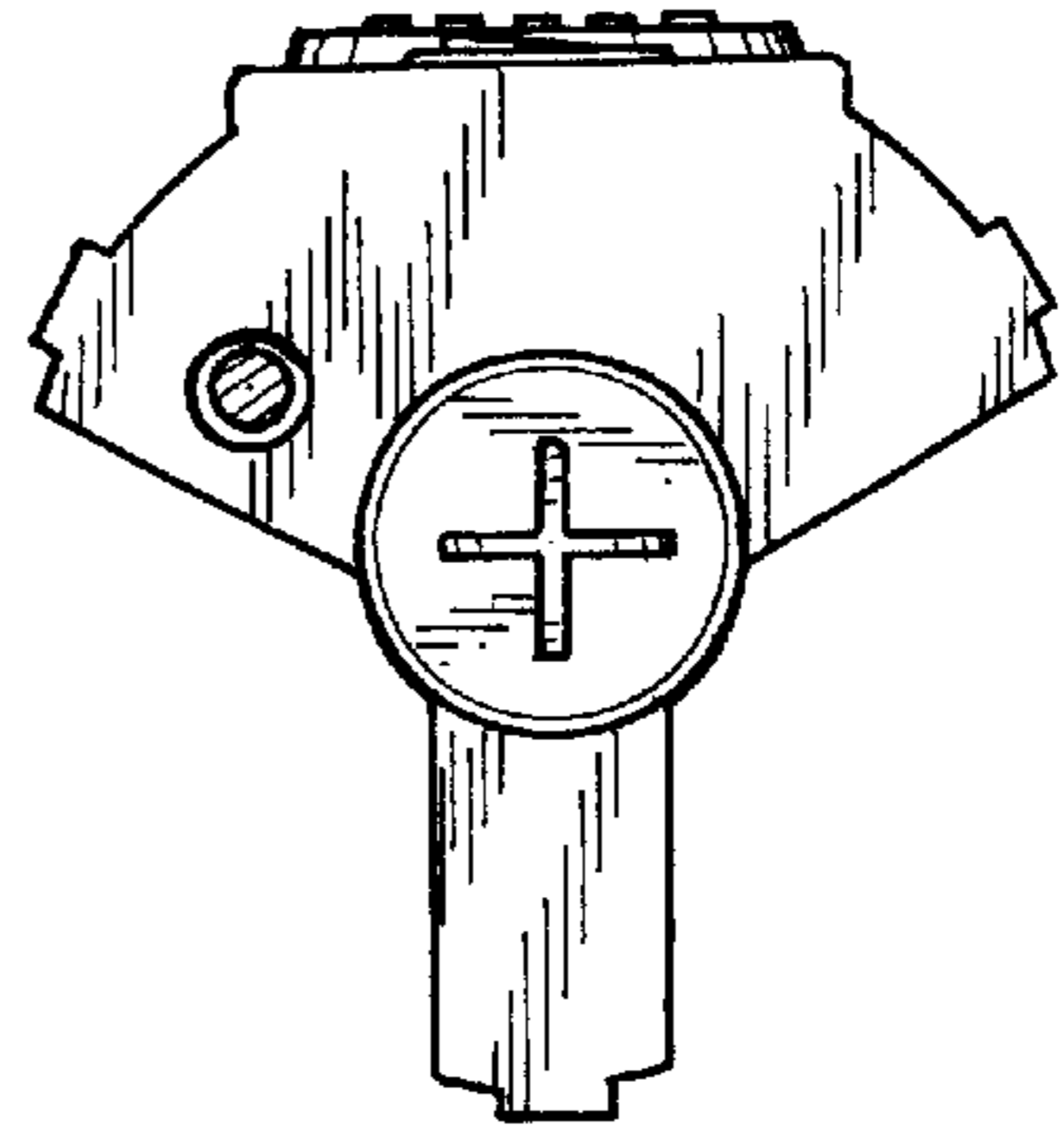


FIG. 4

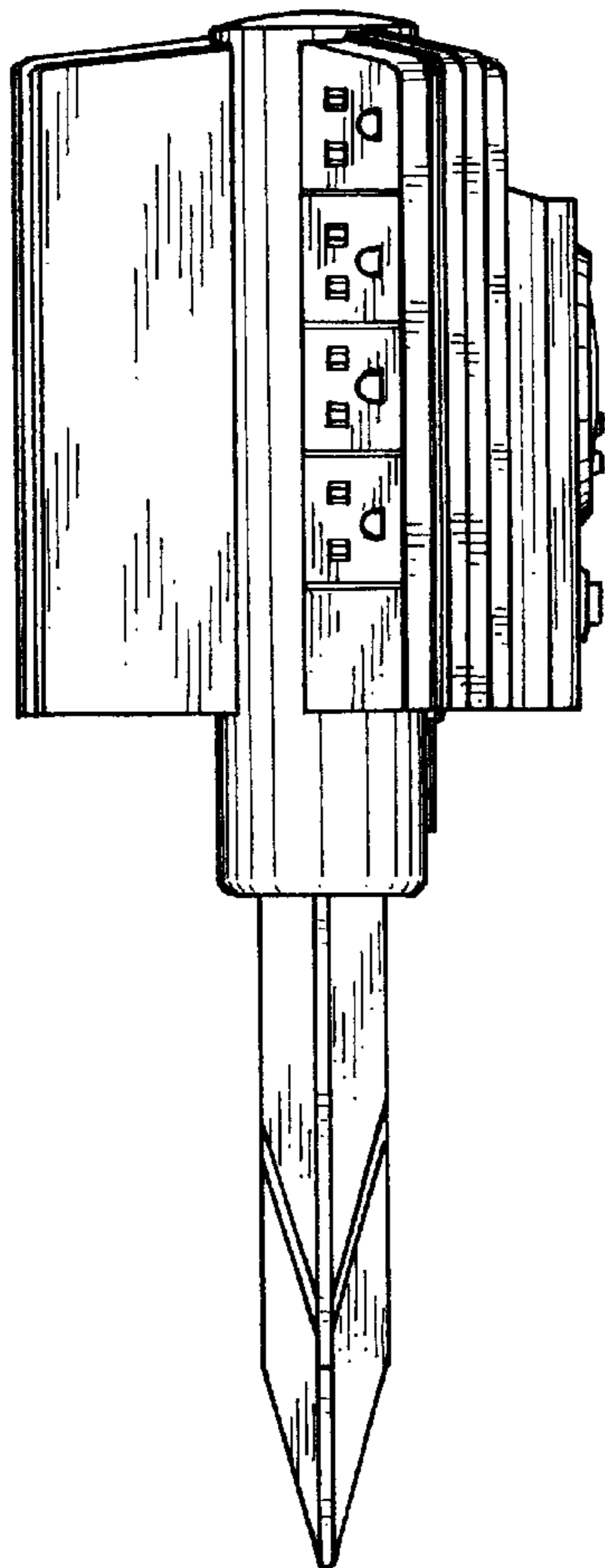


FIG. 6

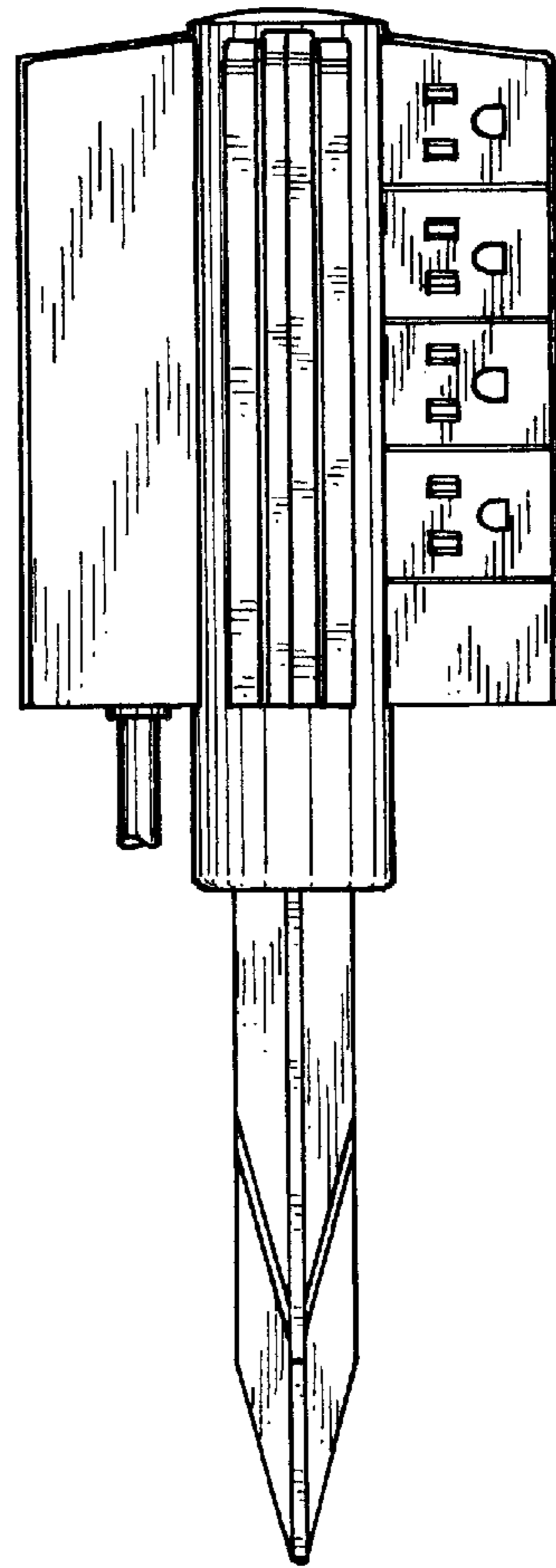


FIG. 5