



US00D453496S

(12) **United States Design Patent** (10) **Patent No.:** **US D453,496 S**
Lee (45) **Date of Patent:** **** Feb. 12, 2002**

(54) **BATTERY TERMINATION**

(75) Inventor: **Kendrew Lee**, Sunnyvale, CA (US)

(73) Assignee: **Monster Cable Products, Inc.**,
Brisbane, CA (US)

(**) Term: **14 Years**

(21) Appl. No.: **29/108,419**

(22) Filed: **Jul. 26, 1999**

(51) **LOC (7) Cl.** **13-02**

(52) **U.S. Cl.** **D13/120**

(58) **Field of Search** D13/120, 151;
439/754, 761, 762, 763, 764, 771

(56) **References Cited**

U.S. PATENT DOCUMENTS

1,766,515	A	*	6/1930	Heibert	439/771	X
D316,398	S	*	4/1991	Hill	D13/120	
5,171,169	A	*	12/1992	Butcher et al.	439/763	X
5,190,484	A	*	3/1993	Kennedy	439/761	
D399,487	S	*	10/1998	Awbrey et al.	D13/120	
D402,260	S	*	12/1998	Awbrey	D13/120	
D409,977	S	*	5/1999	Liang	D13/120	
5,934,947	A	*	8/1999	Liang	439/762	

* cited by examiner

Primary Examiner—Joel Sincavage

(74) *Attorney, Agent, or Firm*—Lariviere, Grubman & Payne, LLP

(57) **CLAIM**

The ornamental design for a battery termination, as shown and described.

DESCRIPTION

FIG. 1 is a perspective view of the battery termination according to the present invention.

FIG. 2 is a top view of the battery termination shown in FIG. 1.

FIG. 3 is a side view of the battery termination shown in FIG. 1.

FIG. 4 is a rear view of the battery termination shown in FIG. 1.

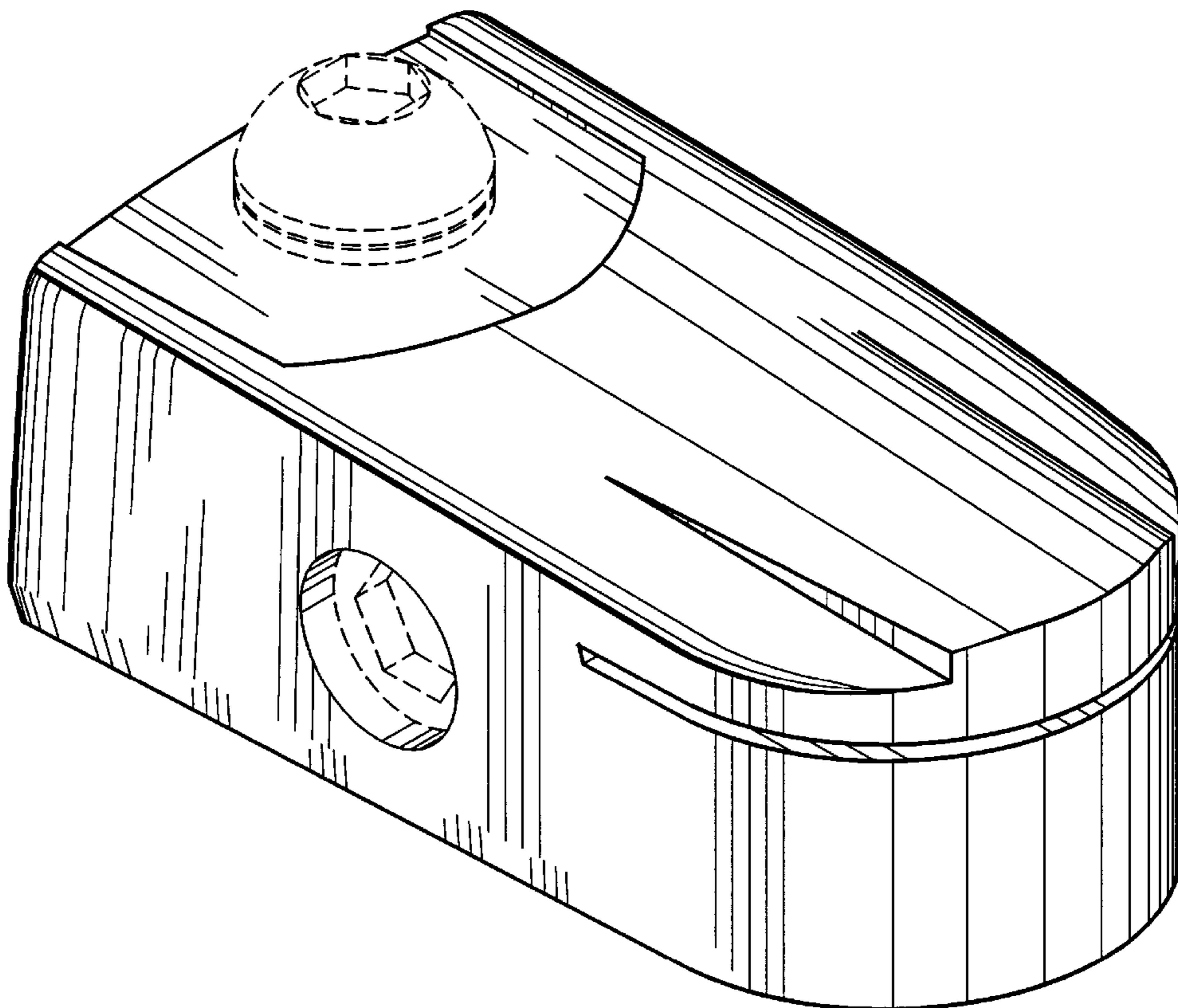
FIG. 5 is a front view of the battery termination shown in FIG. 1.

FIG. 6 is a bottom view of the battery termination shown in FIG. 1; and,

FIG. 7 is a side view of the battery termination shown in FIG. 1.

The broken lines shown throughout the drawing figures are included for the purpose of illustrating portions of the article that form no part of the claimed design.

1 Claim, 7 Drawing Sheets



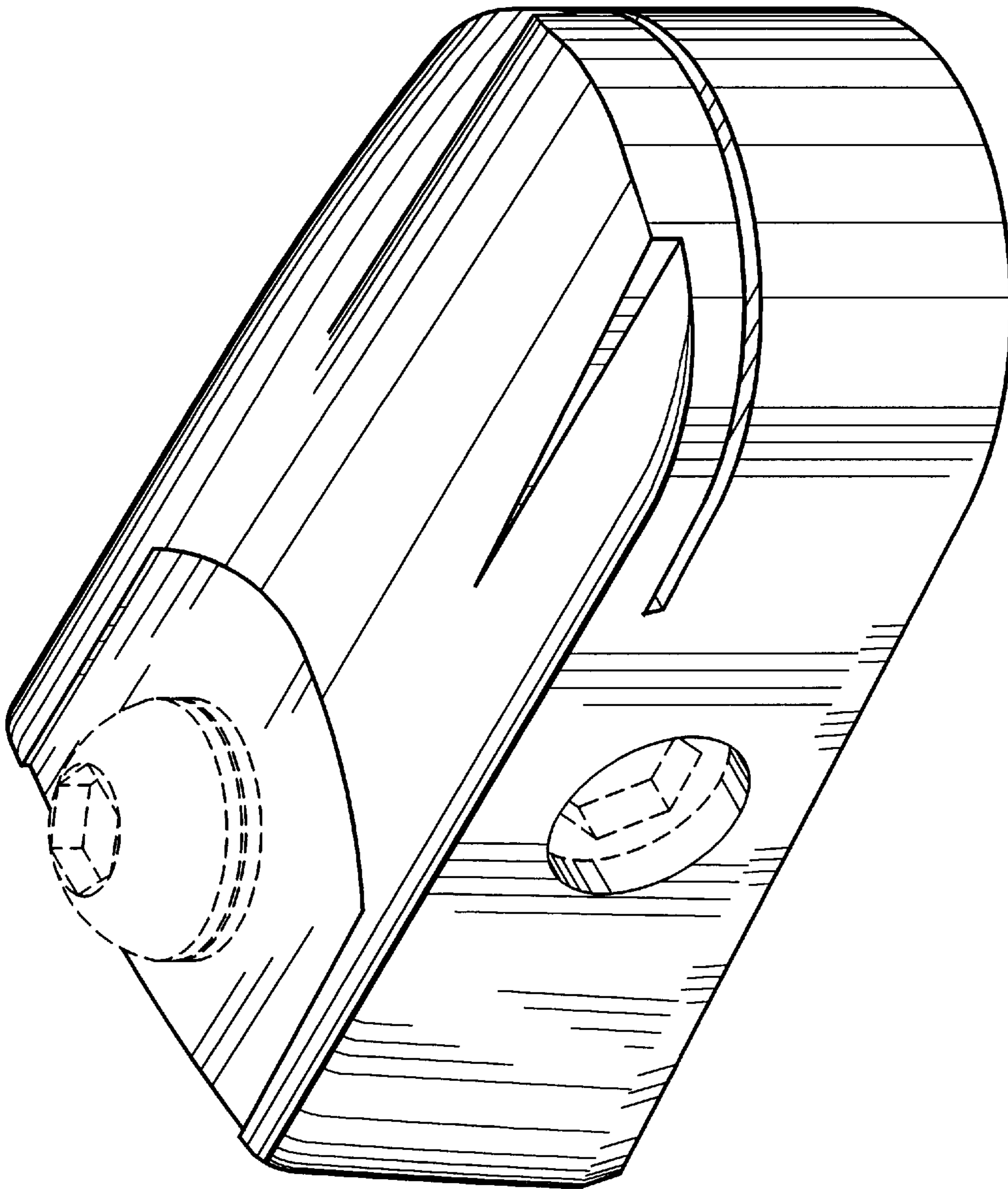


FIGURE 1

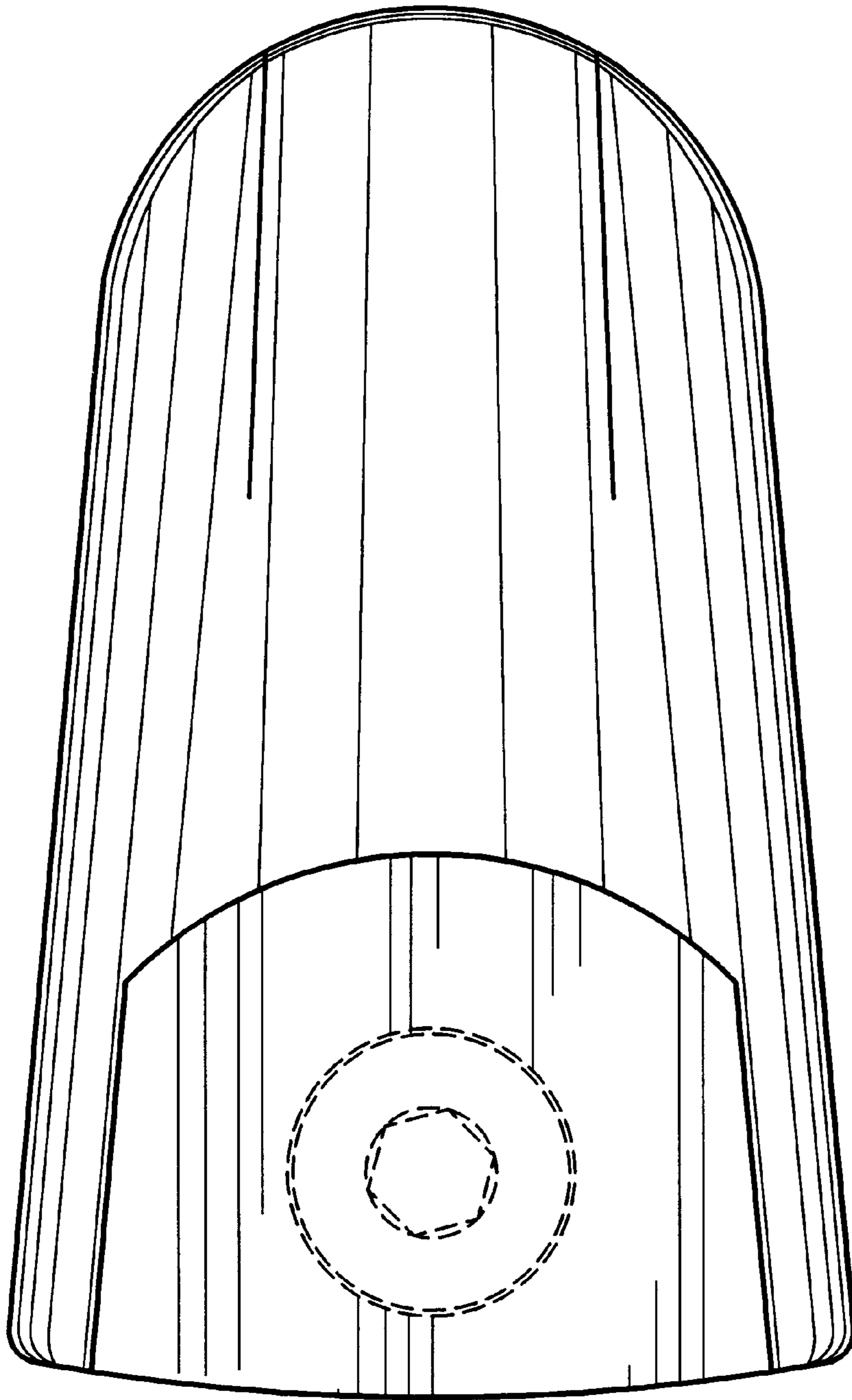


FIGURE 2

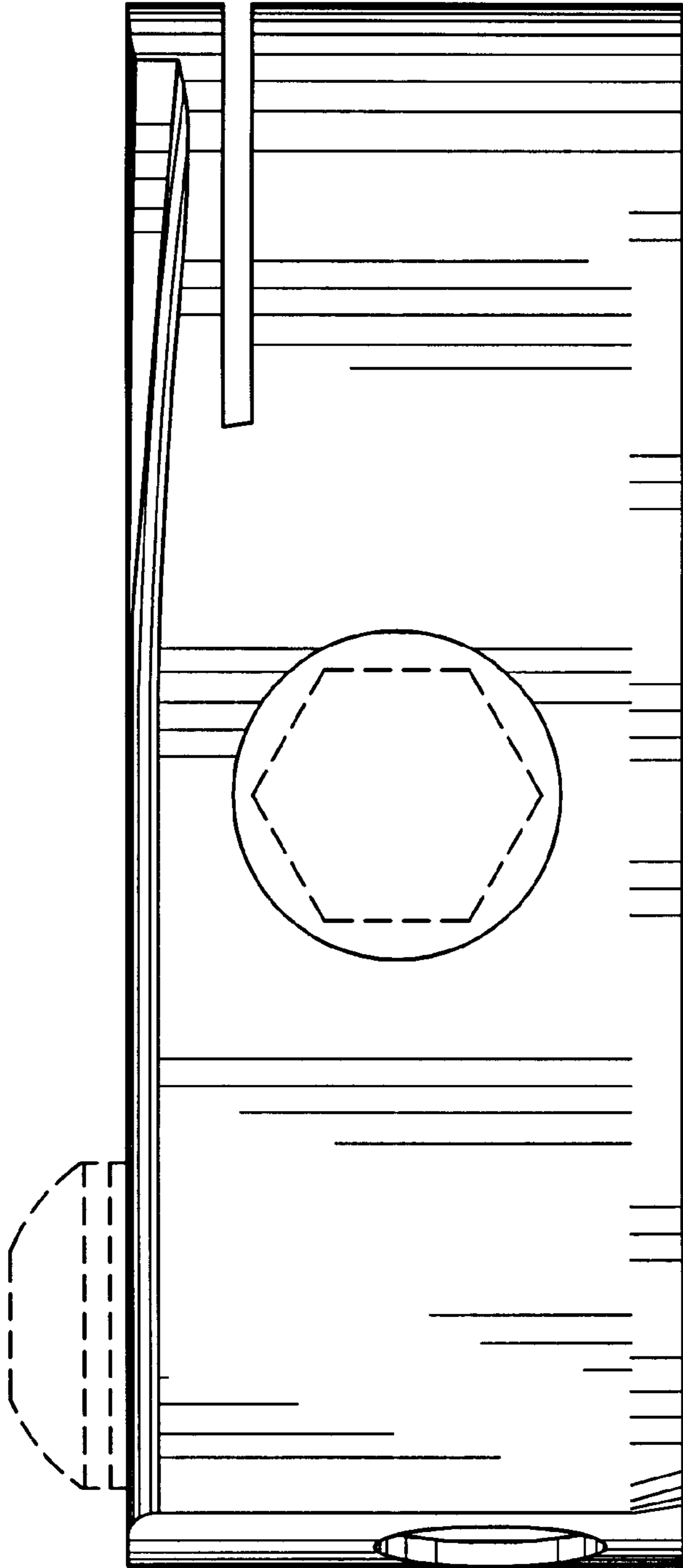


FIGURE 3

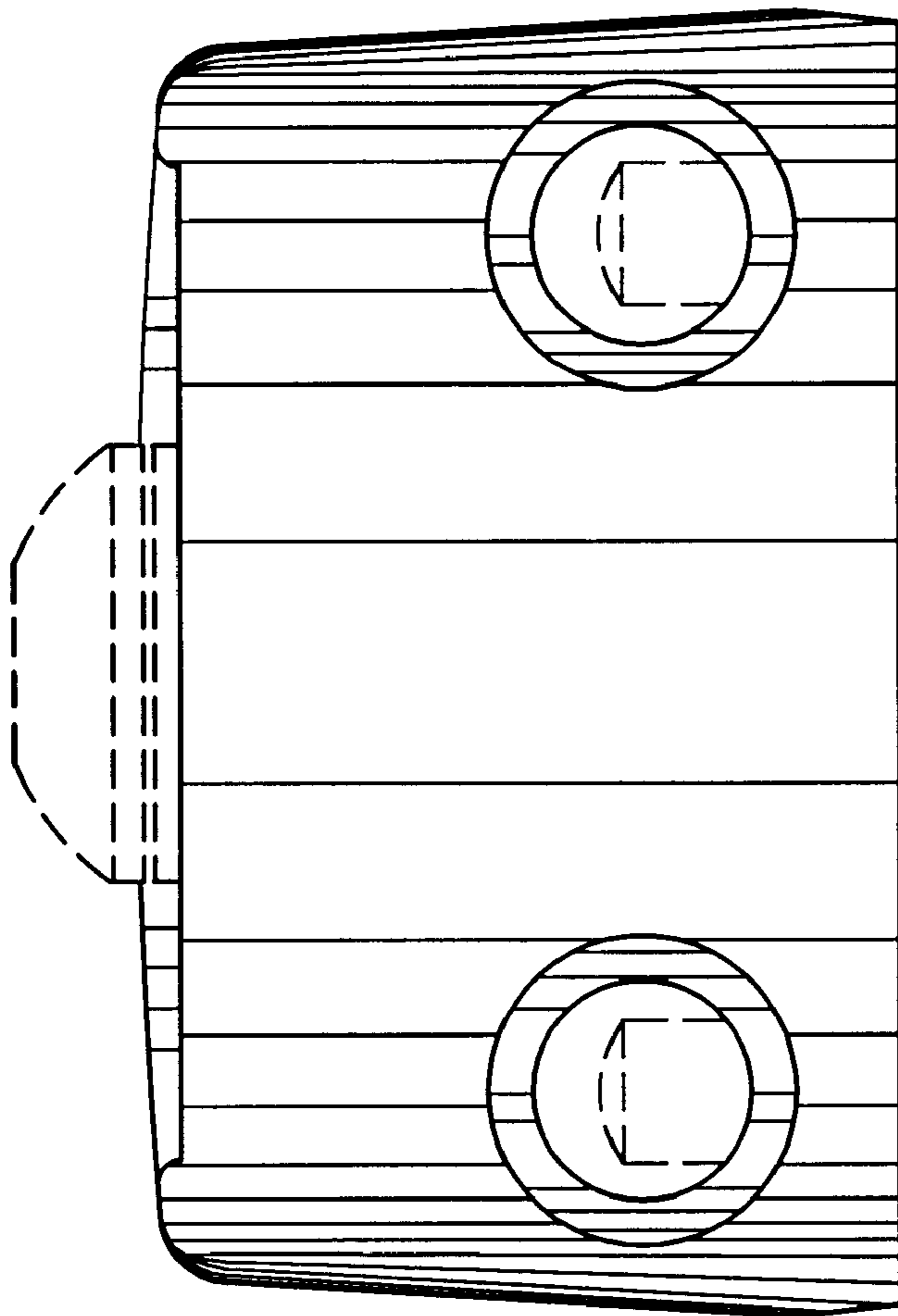


FIGURE 4

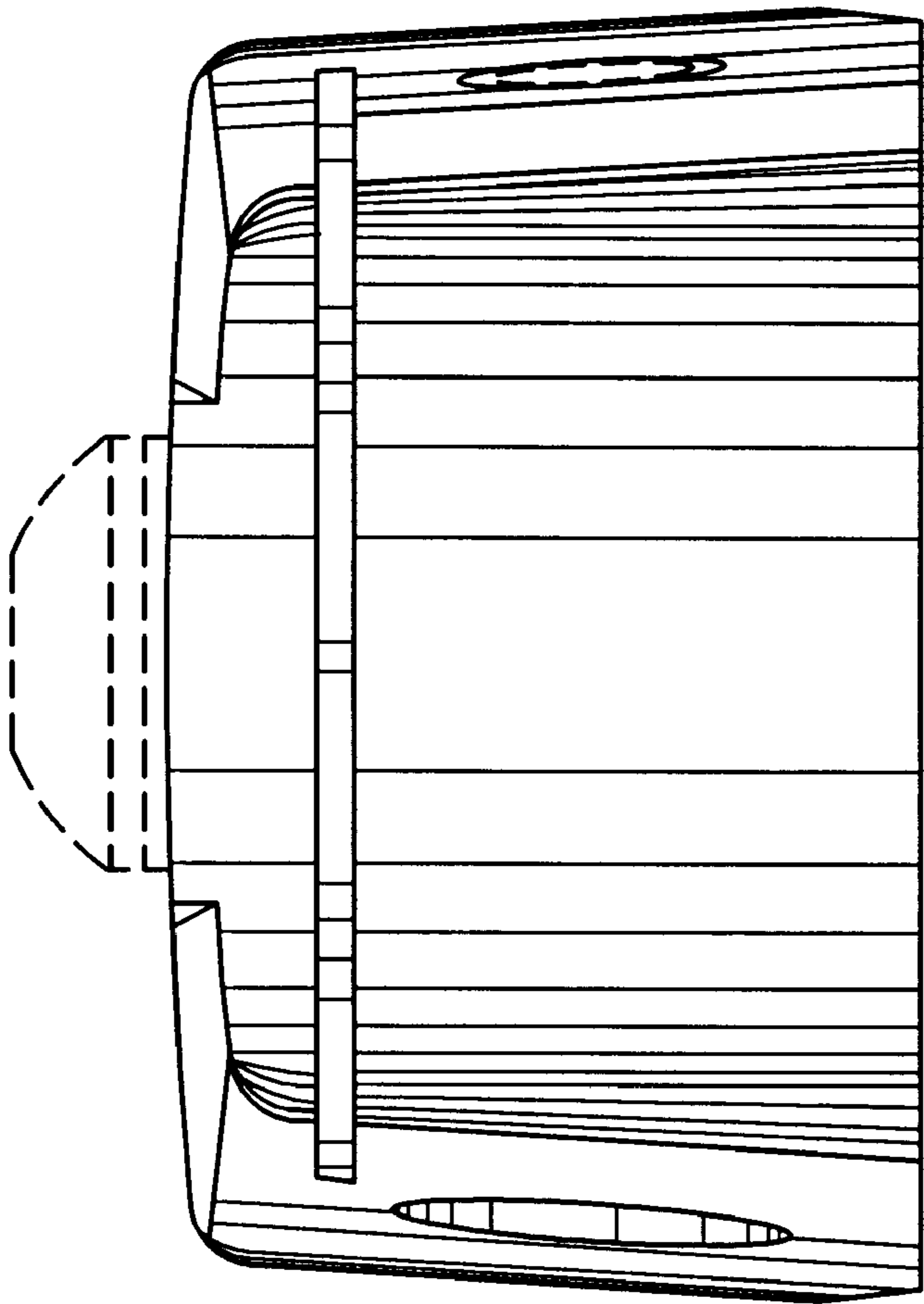


FIGURE 5

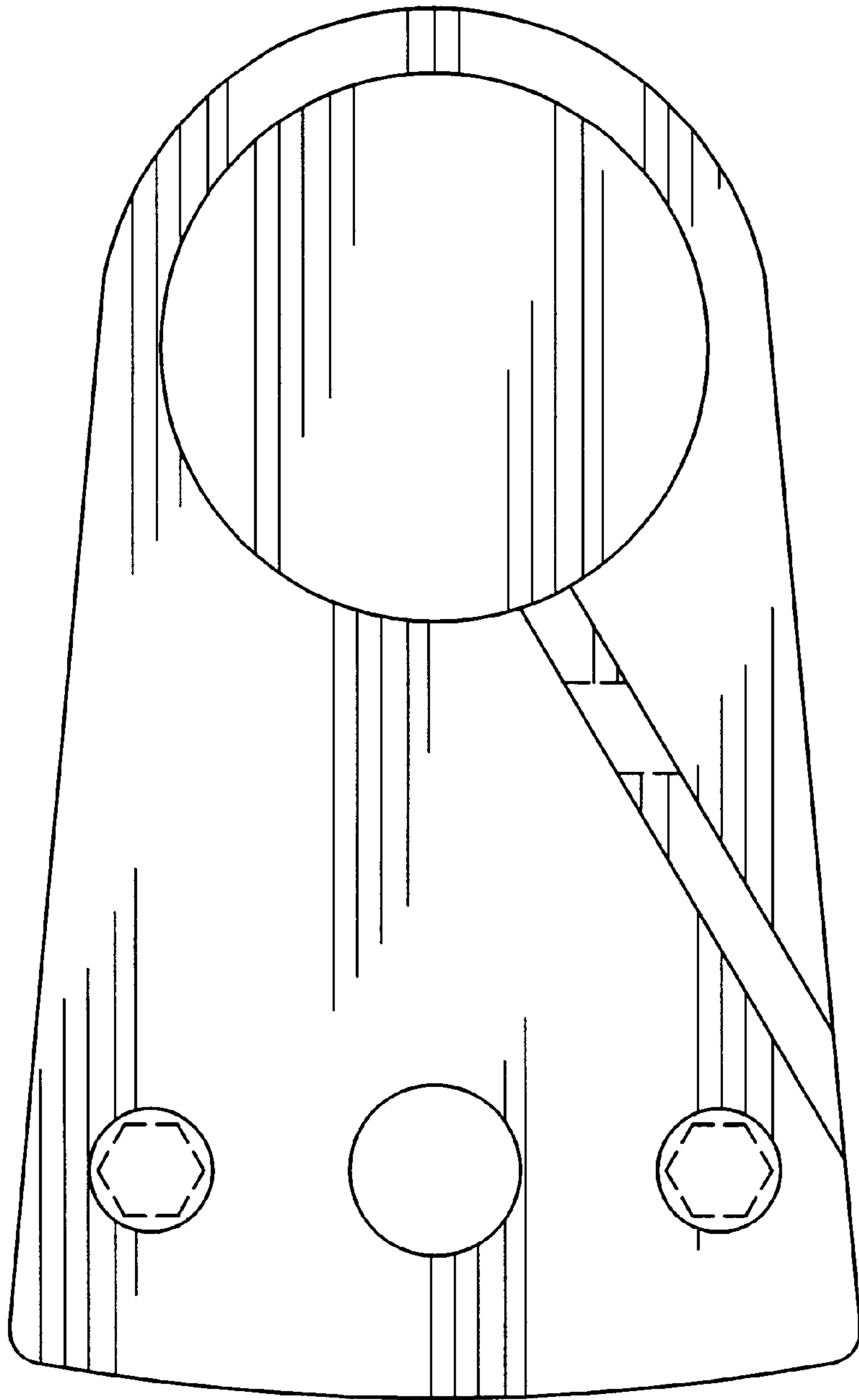


FIGURE 6

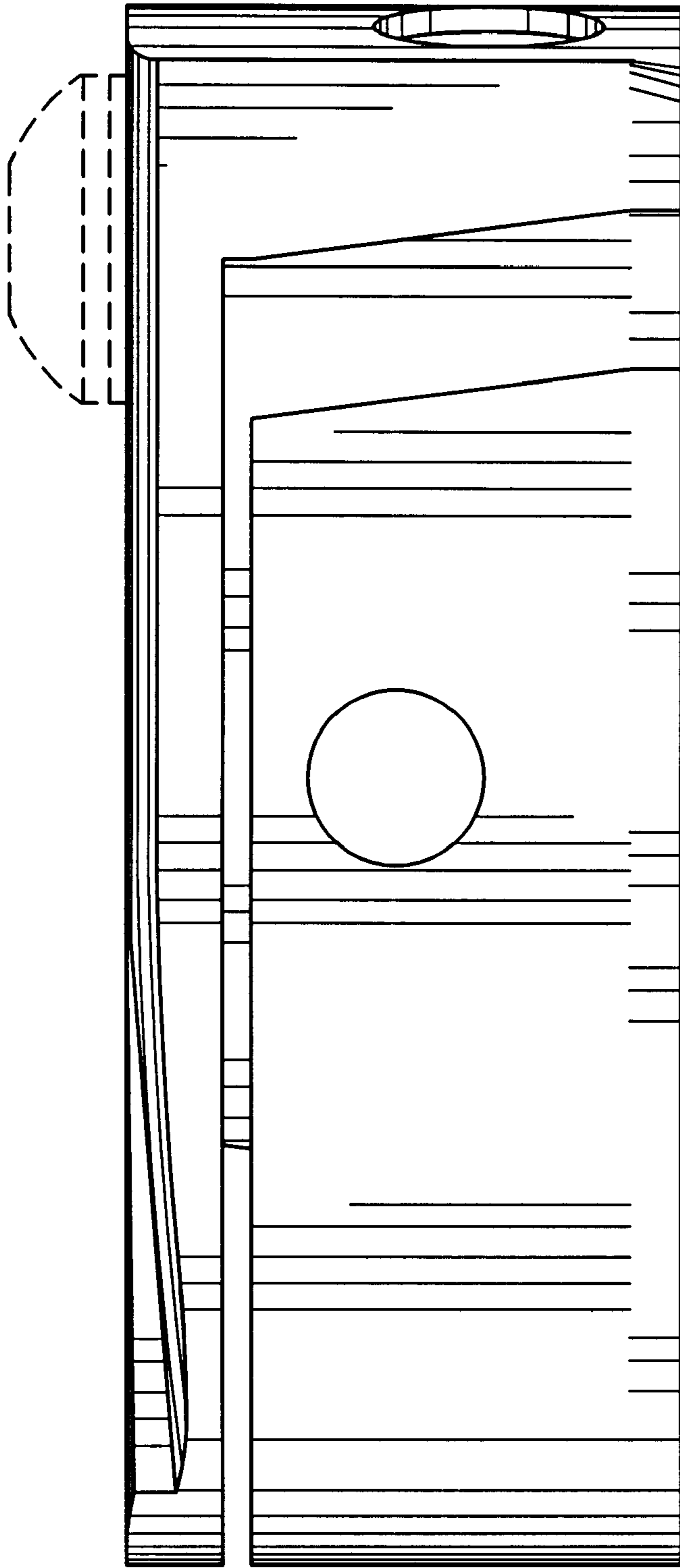


FIGURE 7