



US00D453491S

(12) **United States Design Patent**
Schmitz

(10) **Patent No.:** **US D453,491 S**

(45) **Date of Patent:** **** Feb. 12, 2002**

(54) **METAL LICENSE PLATE FRAME**

(75) **Inventor:** **Delbert Schmitz, Northridge, CA (US)**

(73) **Assignee:** **Superior Industries, Int'l. Inc., Van Nuys, CA (US)**

(**) **Term:** **14 Years**

(21) **Appl. No.:** **29/141,913**

(22) **Filed:** **May 14, 2001**

(51) **LOC (7) Cl.** **12-16**

(52) **U.S. Cl.** **D12/193**

(58) **Field of Search** **D12/193; D6/300-303, D6/310-314; 40/200-203, 207-216**

(56) **References Cited**

U.S. PATENT DOCUMENTS

D335,117 S	*	4/1993	Spencer	D12/193
D346,578 S	*	5/1994	Corey	D12/193
D377,926 S	*	2/1997	Kheyfets	D12/193
D383,720 S	*	9/1997	Spencer	D12/193
D402,610 S	*	12/1998	Spencer	D12/193
D409,128 S	*	5/1999	Spencer	D12/193
D411,500 S	*	6/1999	Steinhagen	D12/193

D424,003 S	*	5/2000	Steinhagen	D12/193
D428,843 S	*	8/2000	Steinhagen	D12/193
D441,334 S	*	5/2001	Hussaini et al.	D12/193

* cited by examiner

Primary Examiner—Stacia Cadmus

(74) *Attorney, Agent, or Firm*—Head, Johnson & Kachigian

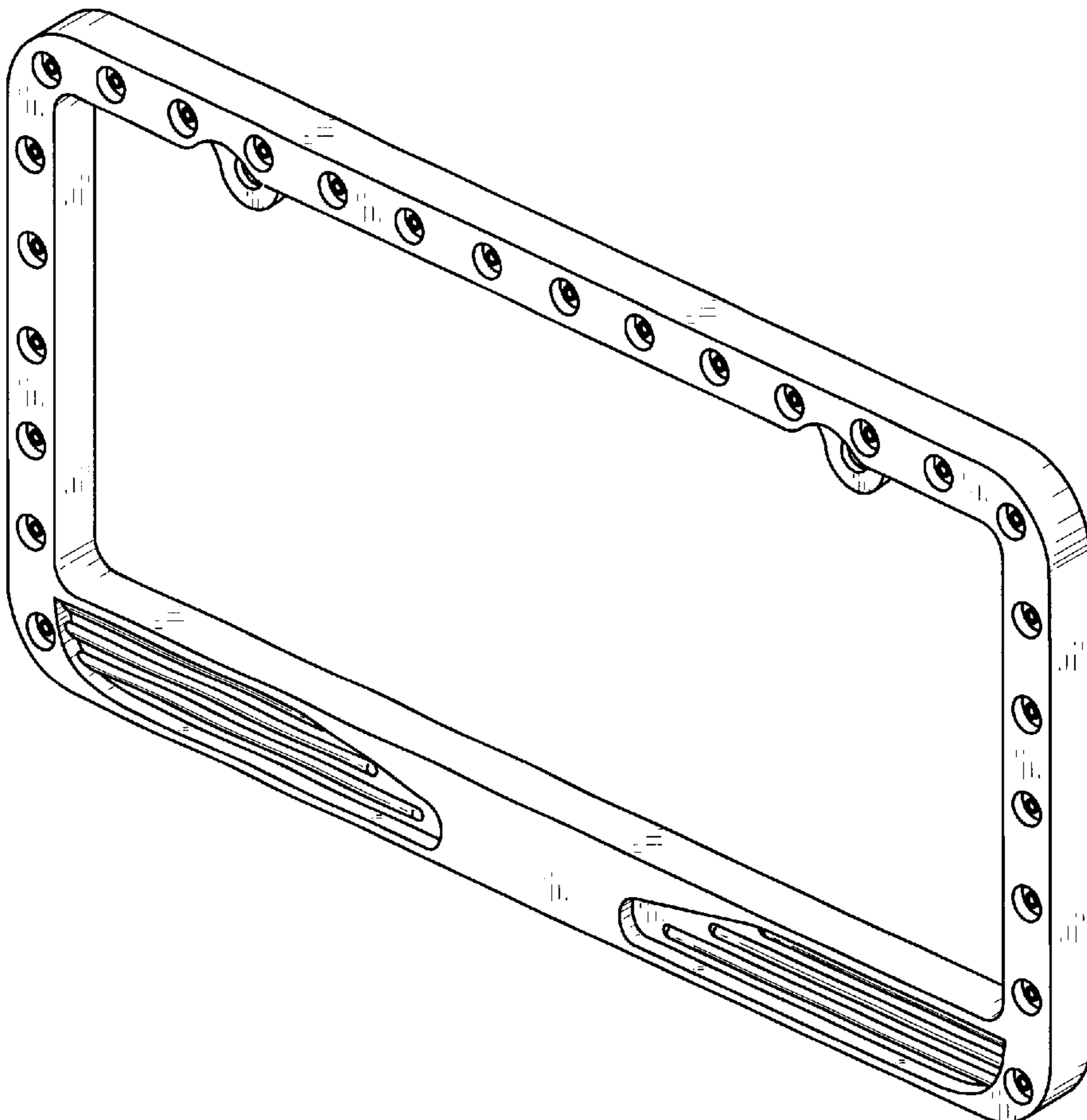
(57) **CLAIM**

The ornamental design for a metal license plate frame, as shown and described.

DESCRIPTION

FIG. 1 is a perspective view of an metal license plate frame showing my new design taken generally from the front; FIG. 2 is a perspective view thereof taken generally from the opposite of FIG. 1; FIG. 3 is a front elevational view thereof; FIG. 4 is a rear elevational view thereof; FIG. 5 is a side elevational view with the opposite side being a mirror image thereof taken generally from the left of FIG. 3; and, FIG. 6 is a top plan view with the opposite side being a mirror image thereof.

1 Claim, 2 Drawing Sheets



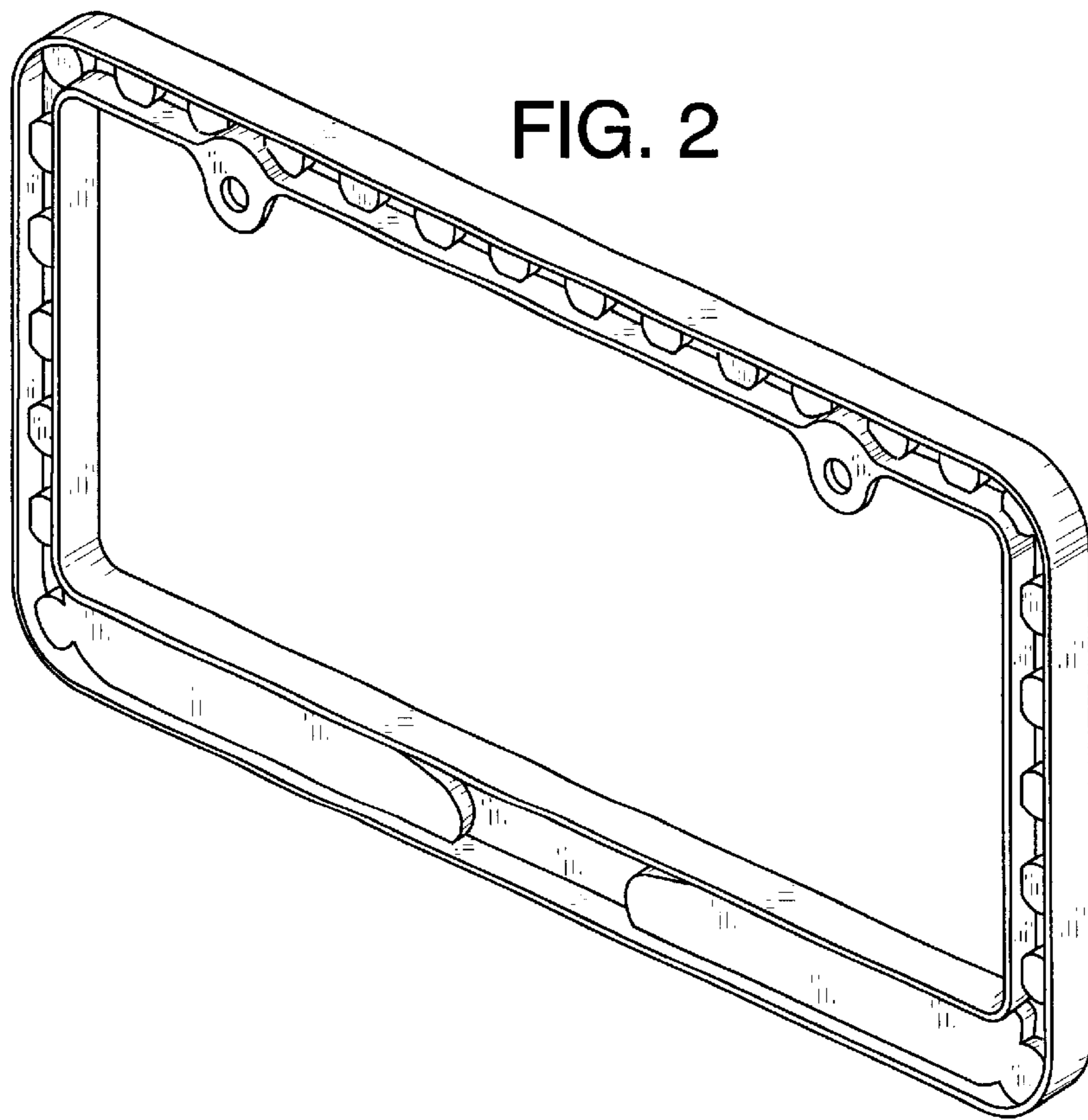
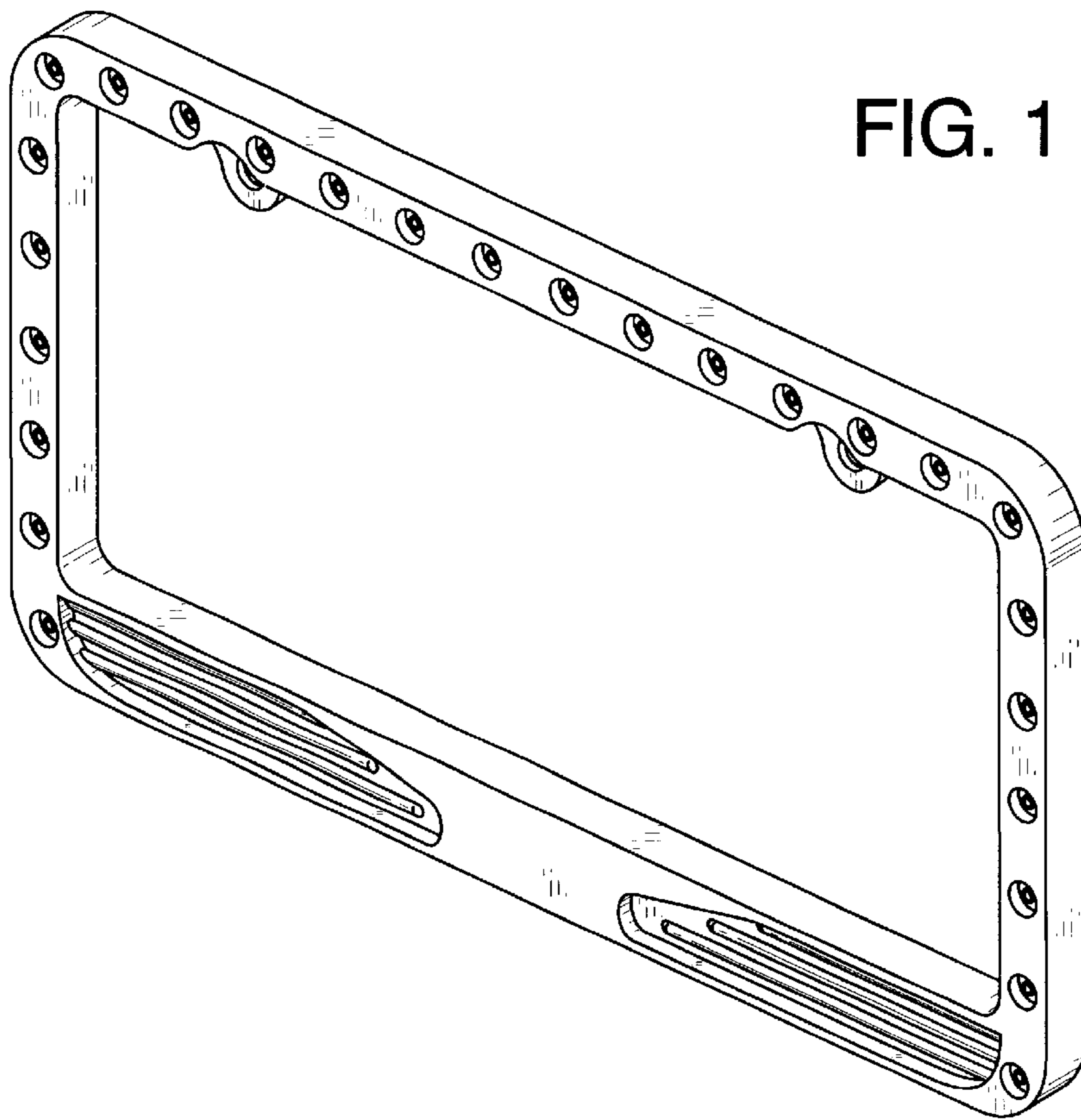


FIG. 3

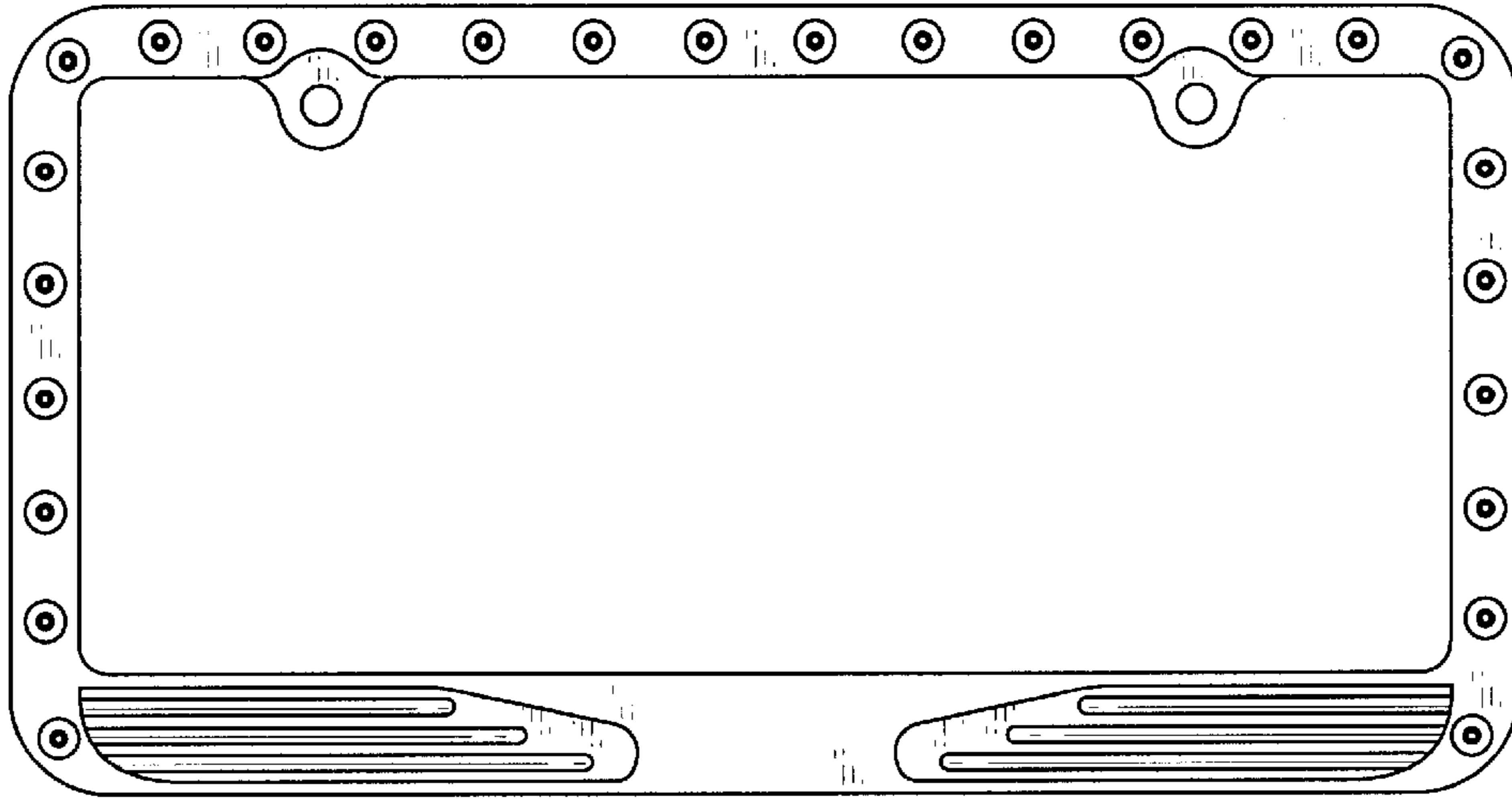


FIG. 5

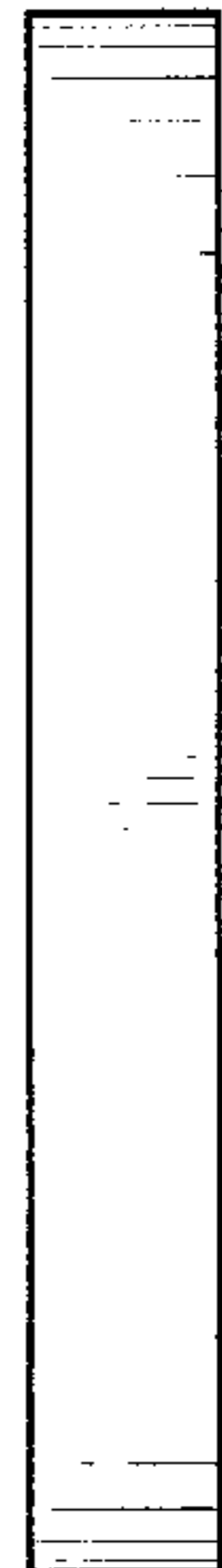


FIG. 6



FIG. 4

