



US00D453489S

(12) **United States Design Patent**
Wallace et al.

(10) **Patent No.:** **US D453,489 S**

(45) **Date of Patent:** **** Feb. 12, 2002**

(54) **MOTORIZED MINI-BIKE**

(75) Inventors: **Paul Wallace**, Lewisburg; **Don Booten**, Brentwood; **Wayne L. Kruse**, Franklin, all of TN (US)

(73) Assignee: **Murray, Inc.**, Brentwood, TN (US)

(**) Term: **14 Years**

(21) Appl. No.: **29/140,593**

(22) Filed: **Apr. 23, 2001**

Related U.S. Application Data

(63) Continuation-in-part of application No. 29/137,206, filed on Feb. 16, 2001, now Pat. No. Des. 446,476.

(51) **LOC (7) Cl.** **12-11**

(52) **U.S. Cl.** **D12/110**

(58) **Field of Search** D12/110, 107, D12/111; 180/219, 227, 291, 311; 280/281.1, 288.1-288.3, 274, 284; D6/354

(56) **References Cited**

U.S. PATENT DOCUMENTS

5,469,930 A * 11/1995 Wiers 180/227

5,791,730 A * 8/1998 Hoffacker D6/354 X

D429,076 S * 8/2000 Rash D6/354

D432,952 S * 10/2000 Scruggs D12/110

6,142,498 A * 11/2000 Smith 280/281.1

* cited by examiner

Primary Examiner—Alan P. Douglas

Assistant Examiner—Linda Brooks

(74) *Attorney, Agent, or Firm*—Kevin E. Joyce

(57) **CLAIM**

The ornamental design for a motorized mini-bike, as shown and described.

DESCRIPTION

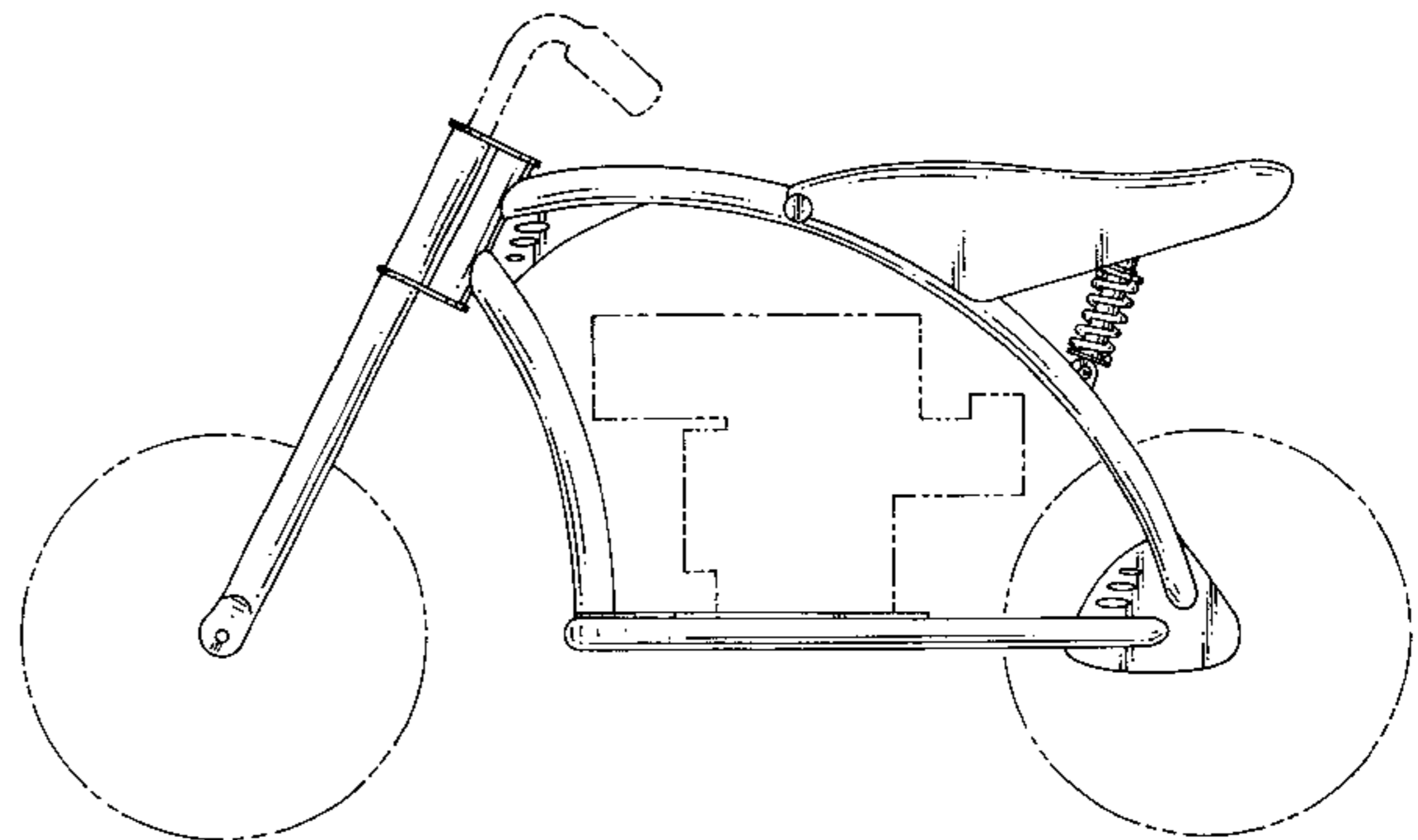
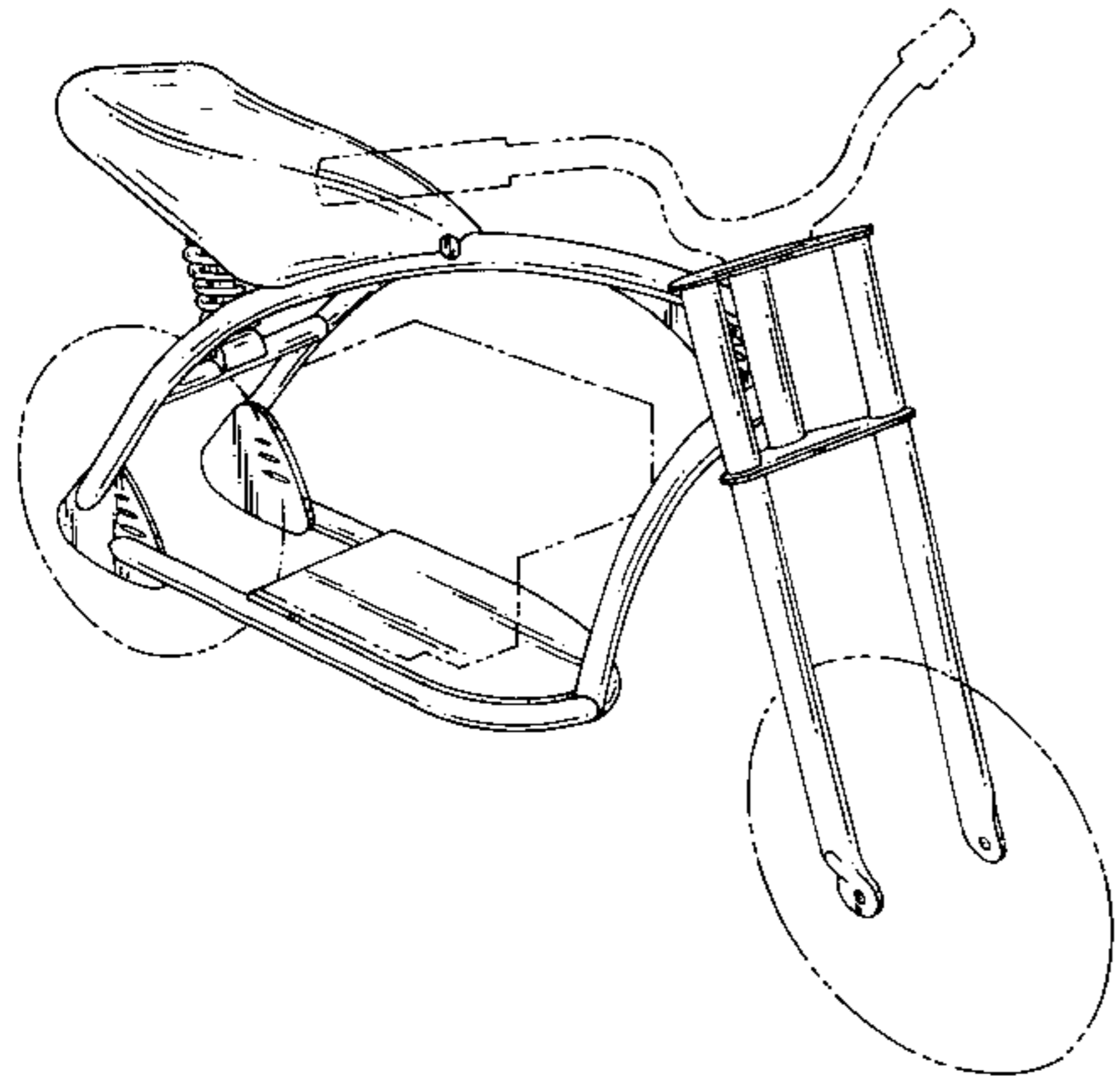
FIG. 1 is a right front perspective view of a motorized mini-bike showing our new design;

FIG. 2 is a left side elevational view thereof; and,

FIG. 3. Is a top plan view thereof.

The broken line showing of additional motorized mini-bike components is for illustrative purposes only and forms no part of the claimed design.

1 Claim, 3 Drawing Sheets



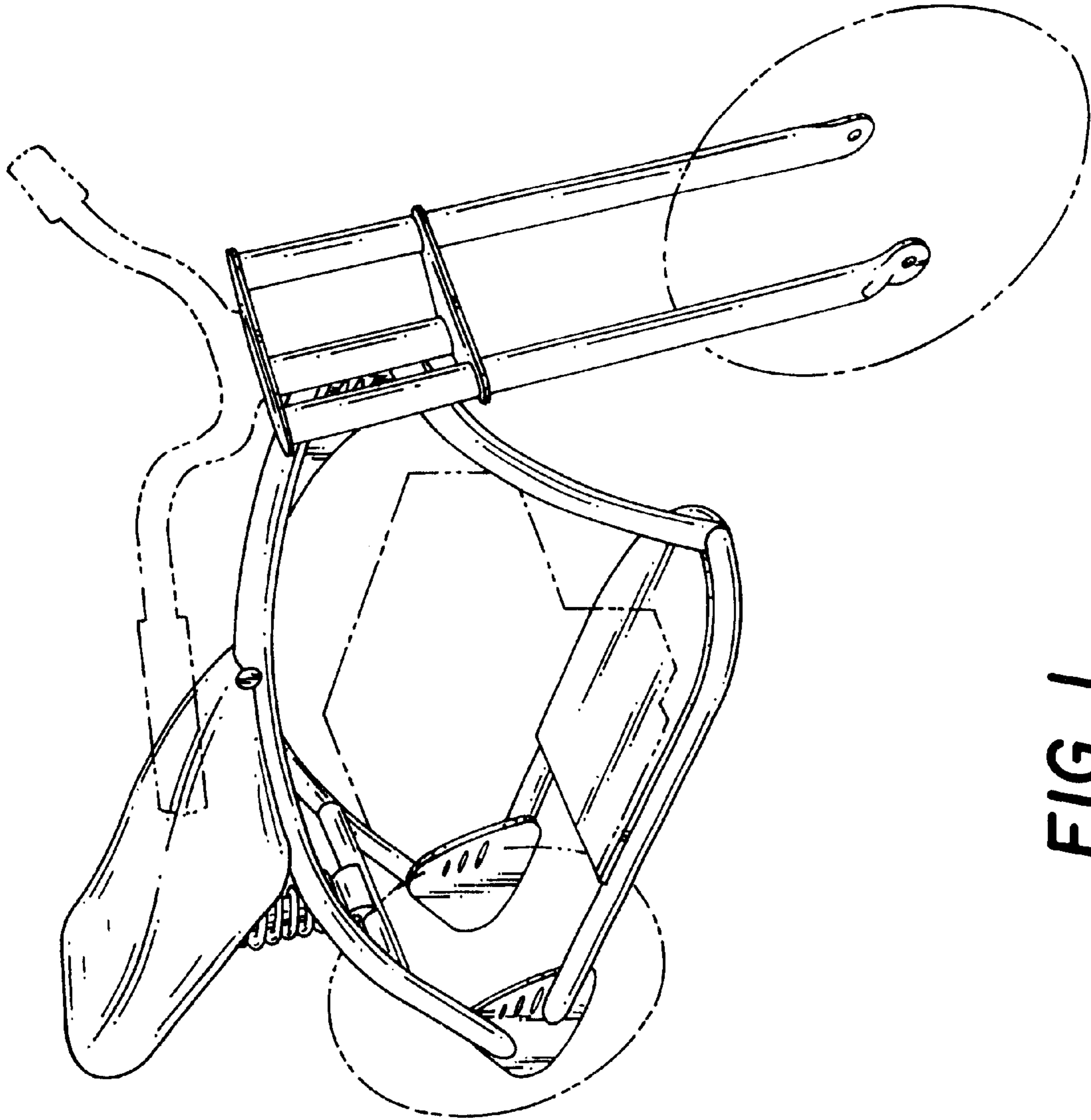


FIG. 1

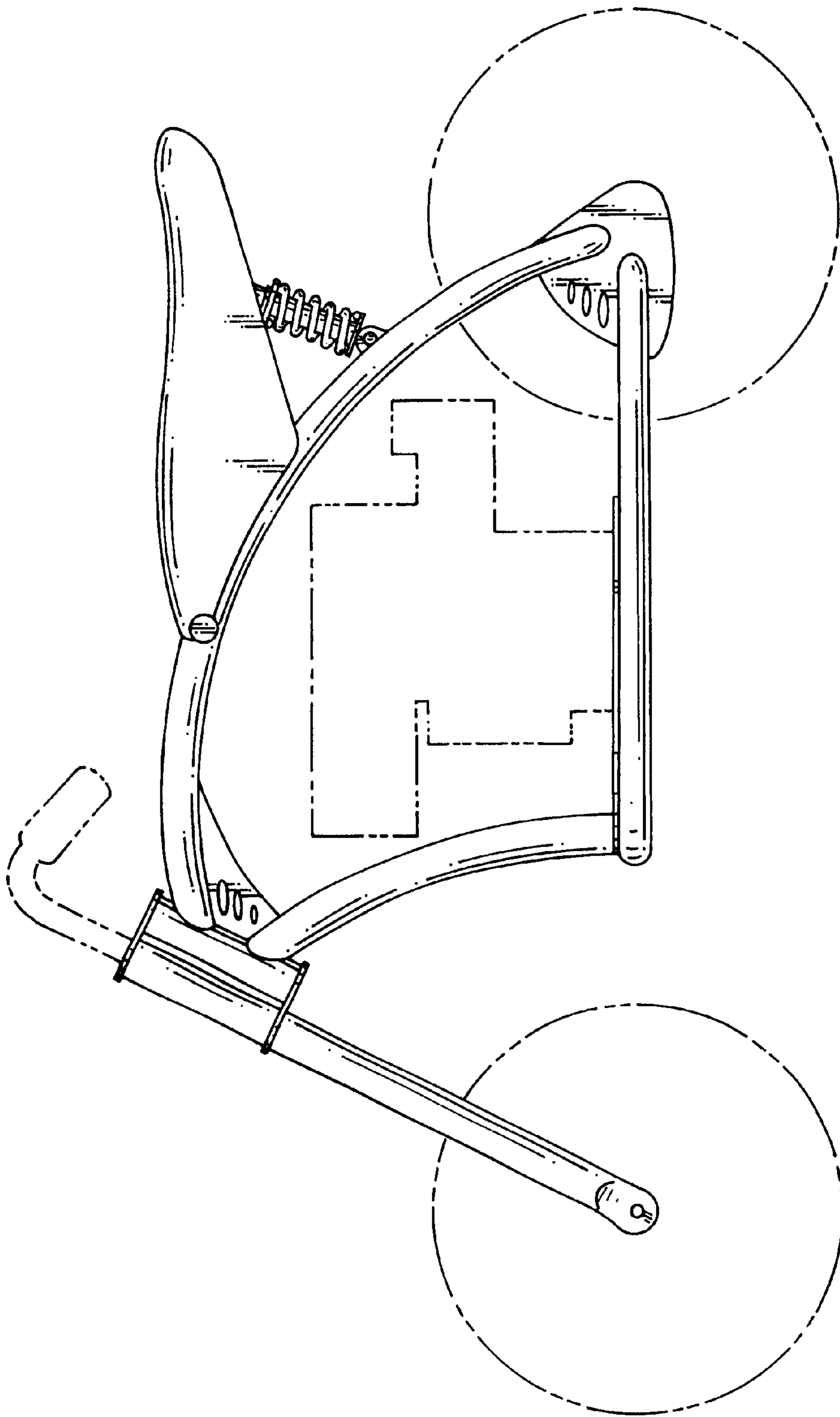


FIG. 2

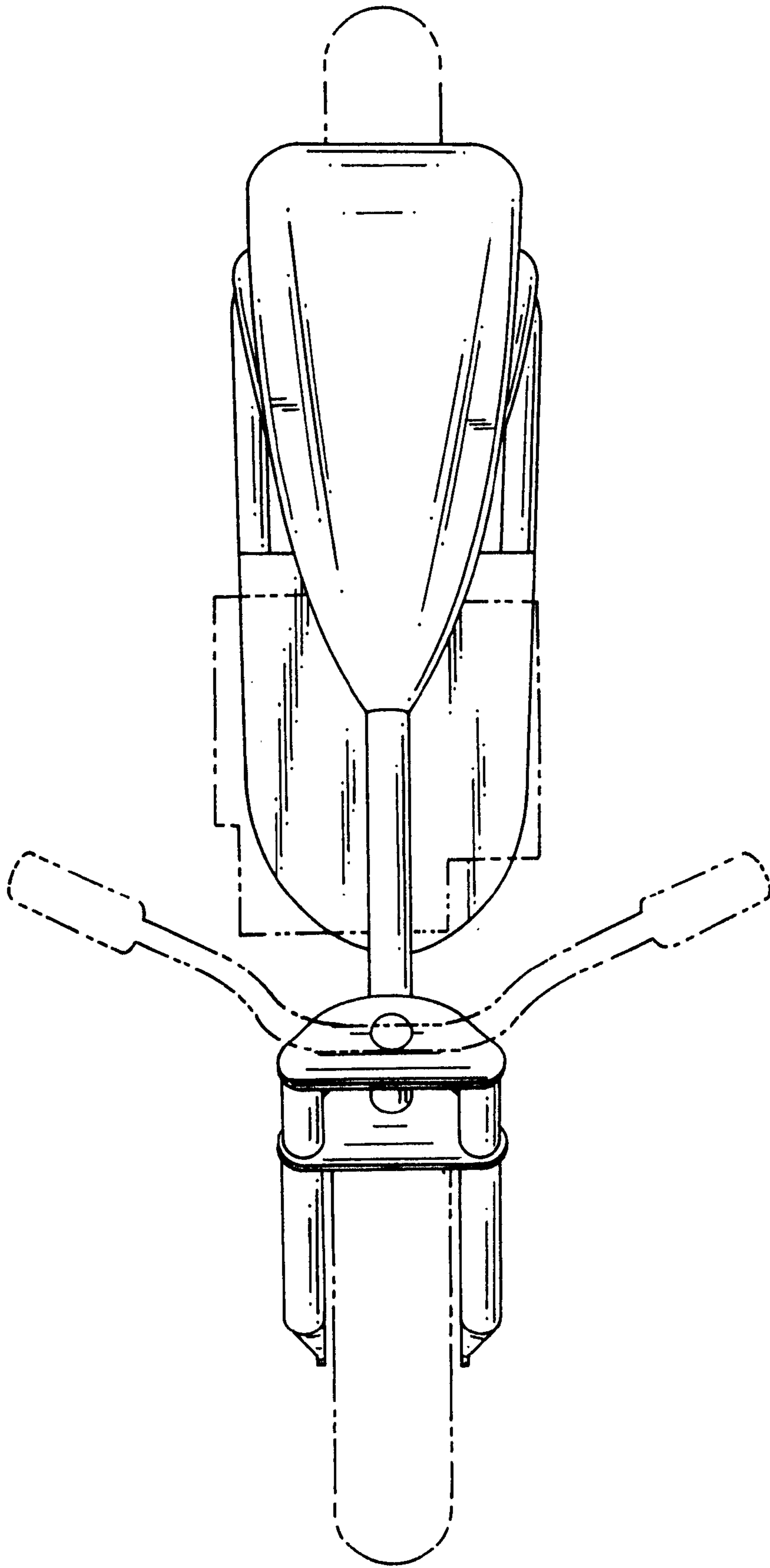


FIG. 3