



US00D453488S

(12) **United States Design Patent**
McCauley

(10) **Patent No.:** **US D453,488 S**

(45) **Date of Patent:** **** Feb. 12, 2002**

(54) **TABLE TOP CONTAINER FOR PLANTS,
FLOWERS, FOOD AND OTHER ARTICLES**

(76) **Inventor:** **Margurite McCauley**, 5524 Cabrillo
Way, Rocklin, CA (US) 95765

(**) **Term:** **14 Years**

(21) **Appl. No.:** **29/135,989**

(22) **Filed:** **Jan. 22, 2001**

(51) **LOC (7) Cl.** **11-02**

(52) **U.S. Cl.** **D11/152; D11/153**

(58) **Field of Search** D11/143, 144,
D11/152, 153, 154; D7/354, 547, 553.6,
587, 610; D30/130; 47/65.5, 66.1, 66.2,
66.6, 69, 71, 86; 206/423, 557; 248/27.8

(56) **References Cited**

U.S. PATENT DOCUMENTS

D273,430 S	*	4/1984	Salinas	D30/130
D278,521 S	*	4/1985	Baird et al.	D11/153
4,597,221 A	*	7/1986	Adair et al.	47/66.1
4,708,256 A		11/1987	Intardonato		
D307,231 S	*	4/1990	Ciaccio	D7/354
D369,717 S	*	5/1996	Chiba	D7/354
D382,511 S		8/1997	Azarian		
D383,417 S		9/1997	Davis		
D386,114 S		11/1997	Carson		
D389,011 S	*	1/1998	DeCoster	D7/387
D400,823 S		11/1998	Bagshaw		
D405,027 S		2/1999	McElwain et al.		
D412,297 S		7/1999	Roach		
5,960,587 A	*	10/1999	Brasseur, Jr. et al.	47/86
D416,214 S		11/1999	Conner		
D425,760 S	*	5/2000	Henry	D7/547

D434,697 S	*	12/2000	Dachtera	D11/152
6,161,333 A	*	12/2000	Poston	47/86
D437,522 S	*	2/2001	Measom	D7/354
D441,315 S	*	5/2001	Huffman	D11/143

* cited by examiner

Primary Examiner—Doris V. Coles

Assistant Examiner—Mimosa De

(74) *Attorney, Agent, or Firm*—John P. O'Banion

(57) **CLAIM**

The ornamental design for a table top container for plants, flowers, food and other articles, as shown and described.

DESCRIPTION

FIG. 1 is a perspective view, as seen from the upper front of a first embodiment, of my design for a table top container for plants, flowers, food and other articles.

FIG. 2 is a top plan view of my design shown in FIG. 1.

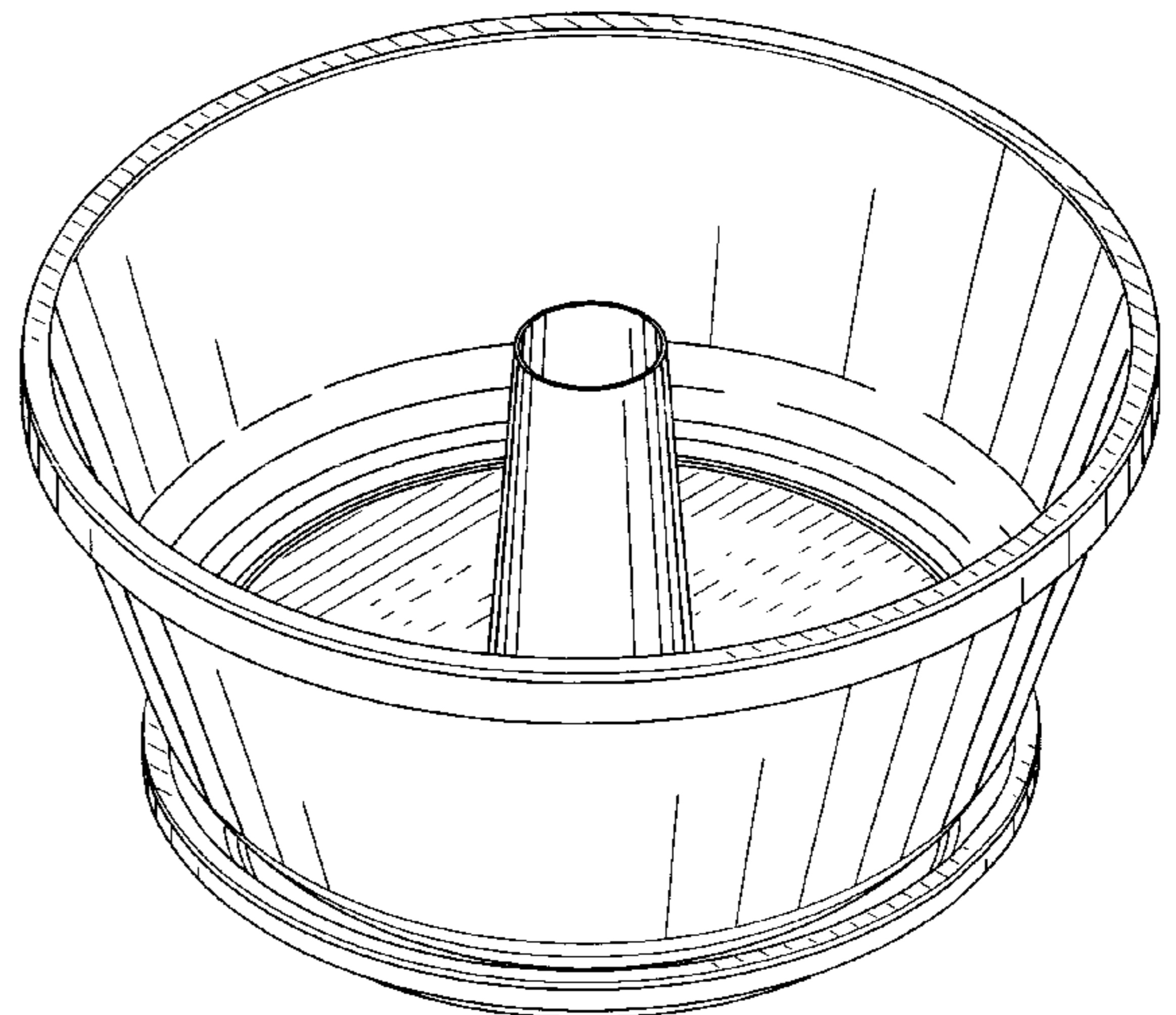
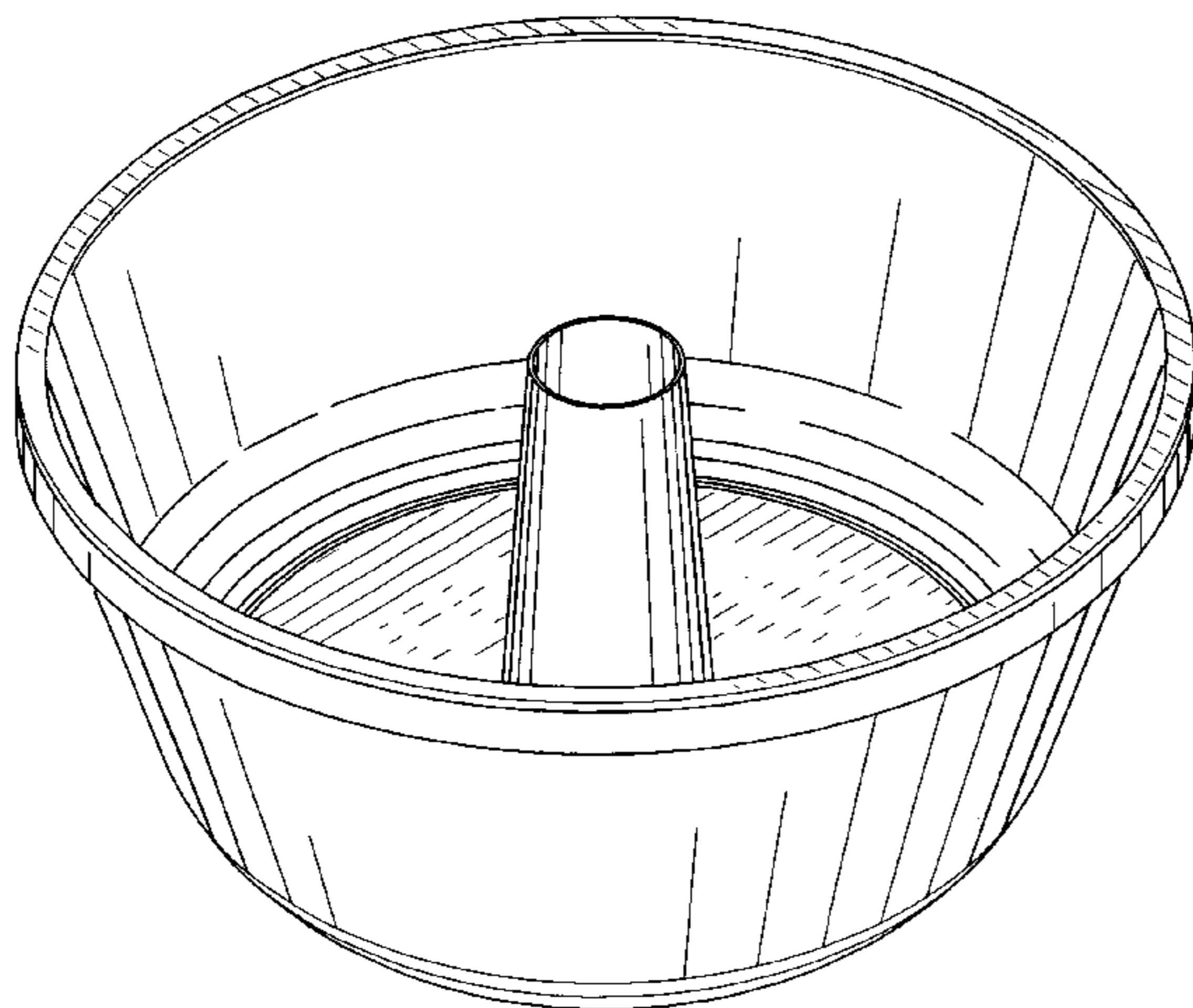
FIG. 3 is a bottom plan view of my design shown in FIG. 1.

FIG. 4 is a side elevation view of my design shown in FIG. 1.

FIG. 5 is a perspective view, as seen from the upper front, of my design for a table top container for plants, flowers, food and other articles, shown in context with a patio table and umbrella stand depicted in phantom lines for illustrative purposes only and forming no part of the claimed design. The umbrella stand is depicted as extending through the hole in the center of the container; and,

FIG. 6 is a perspective view, as seen from the upper front, of a second embodiment of my design for a table top container for plants, flowers, food and other articles having a tray with a lip at the bottom.

1 Claim, 6 Drawing Sheets



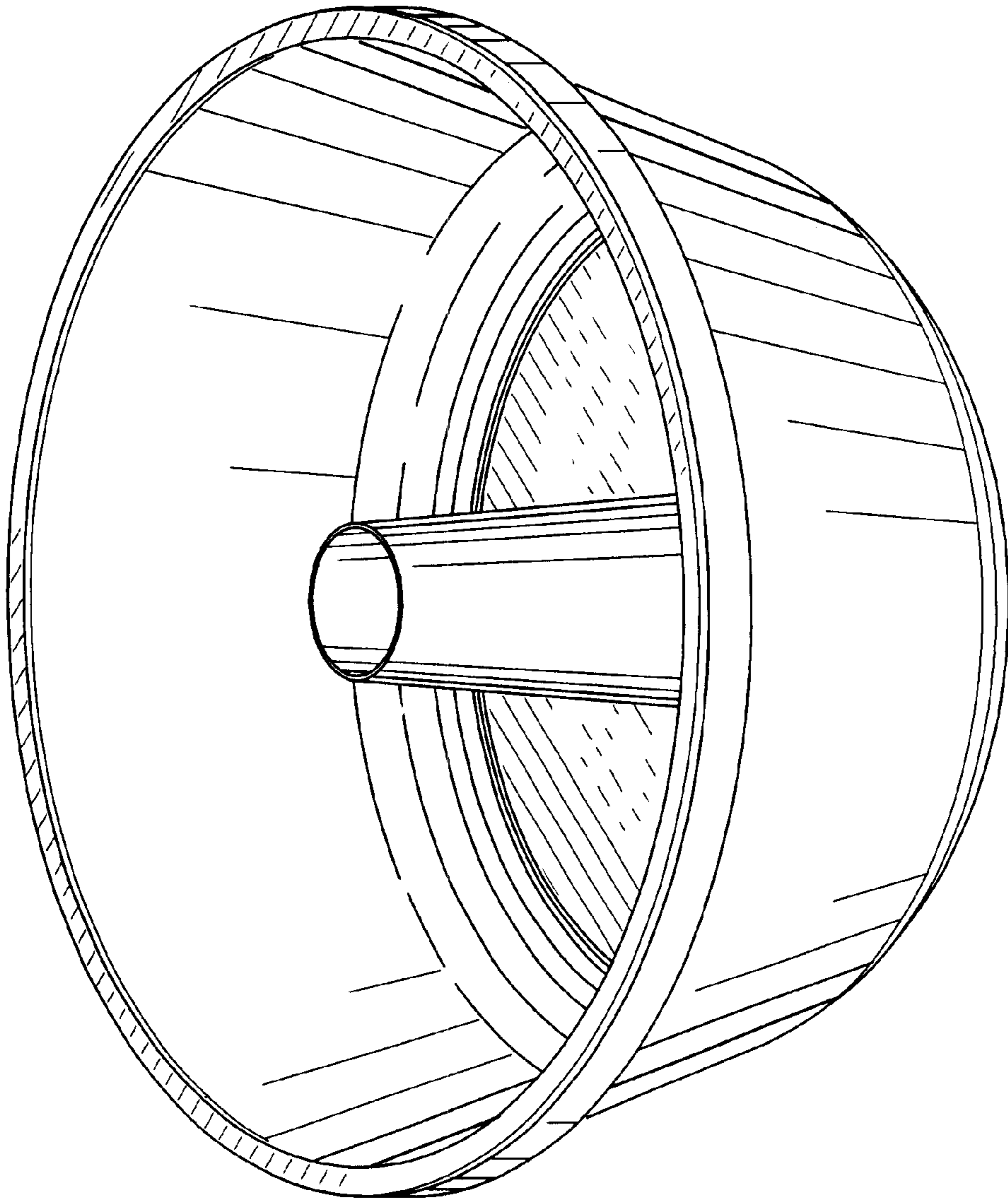


FIG. 1

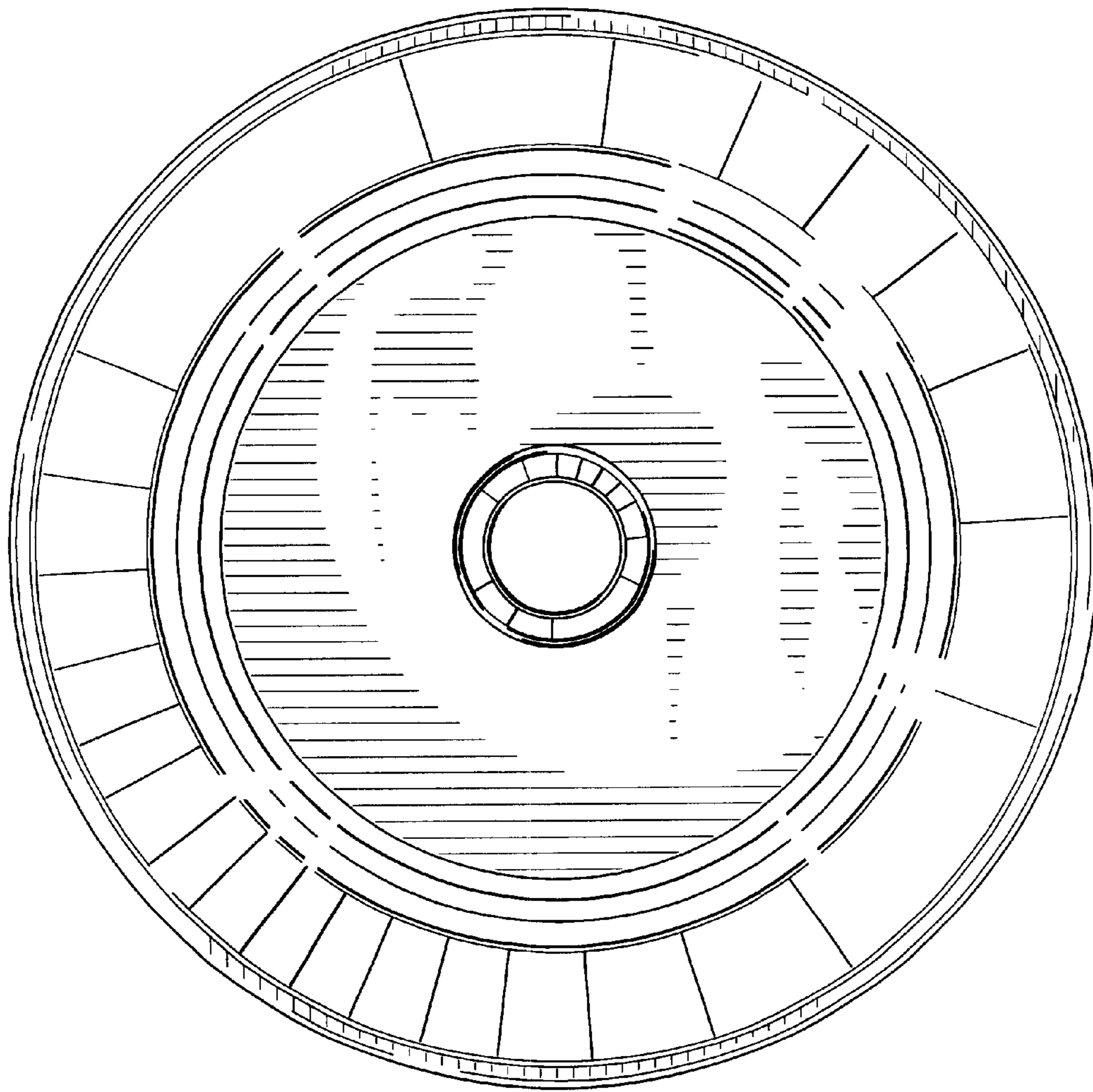


FIG. 2

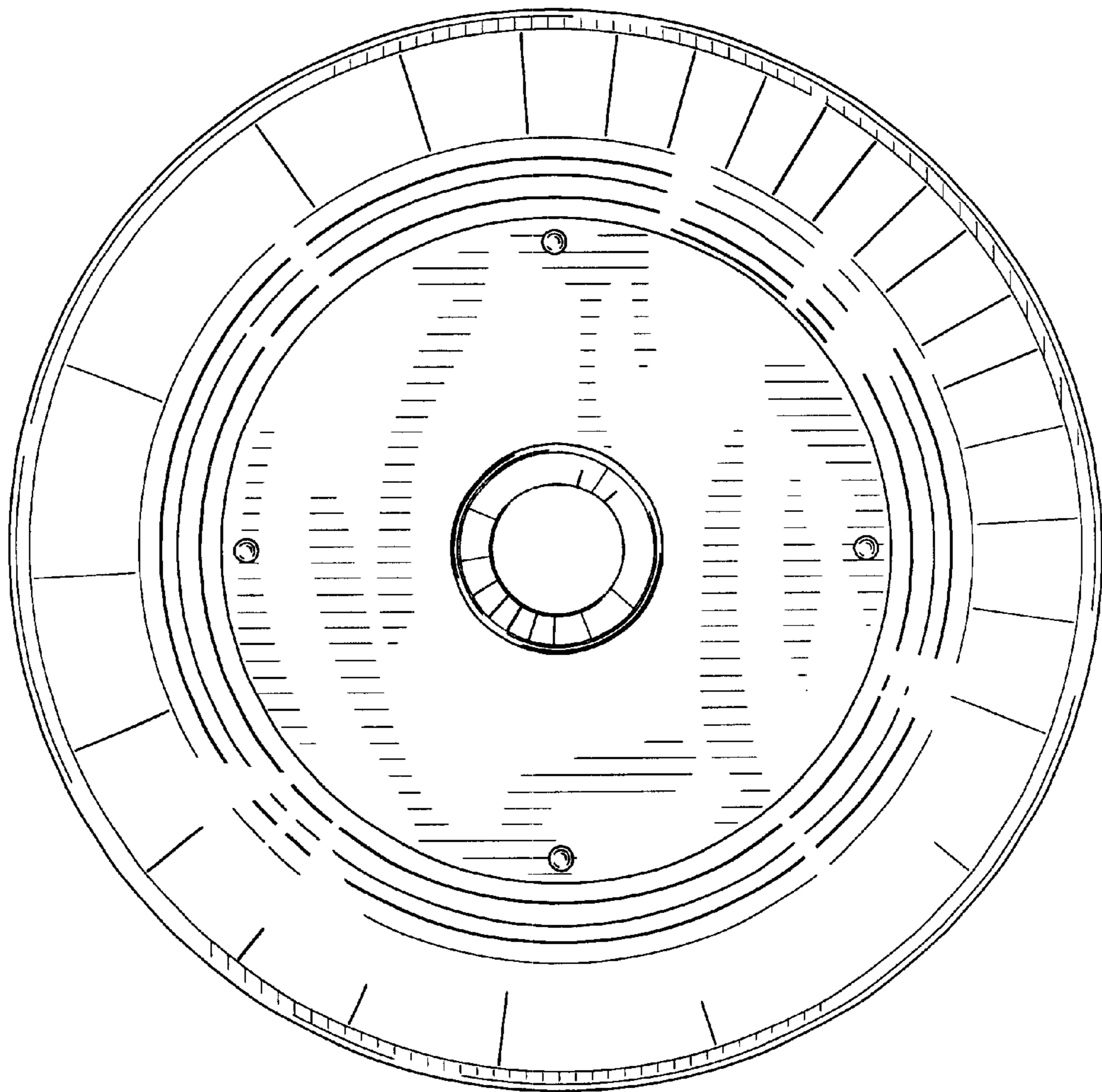


FIG. 3

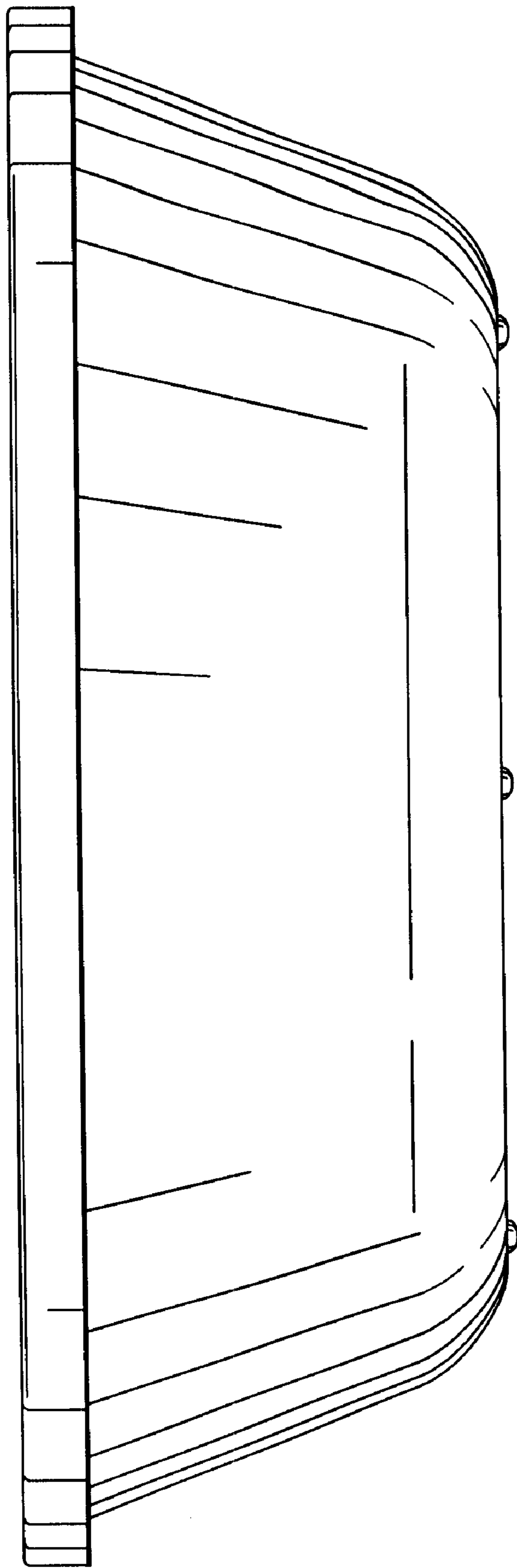


FIG. 4

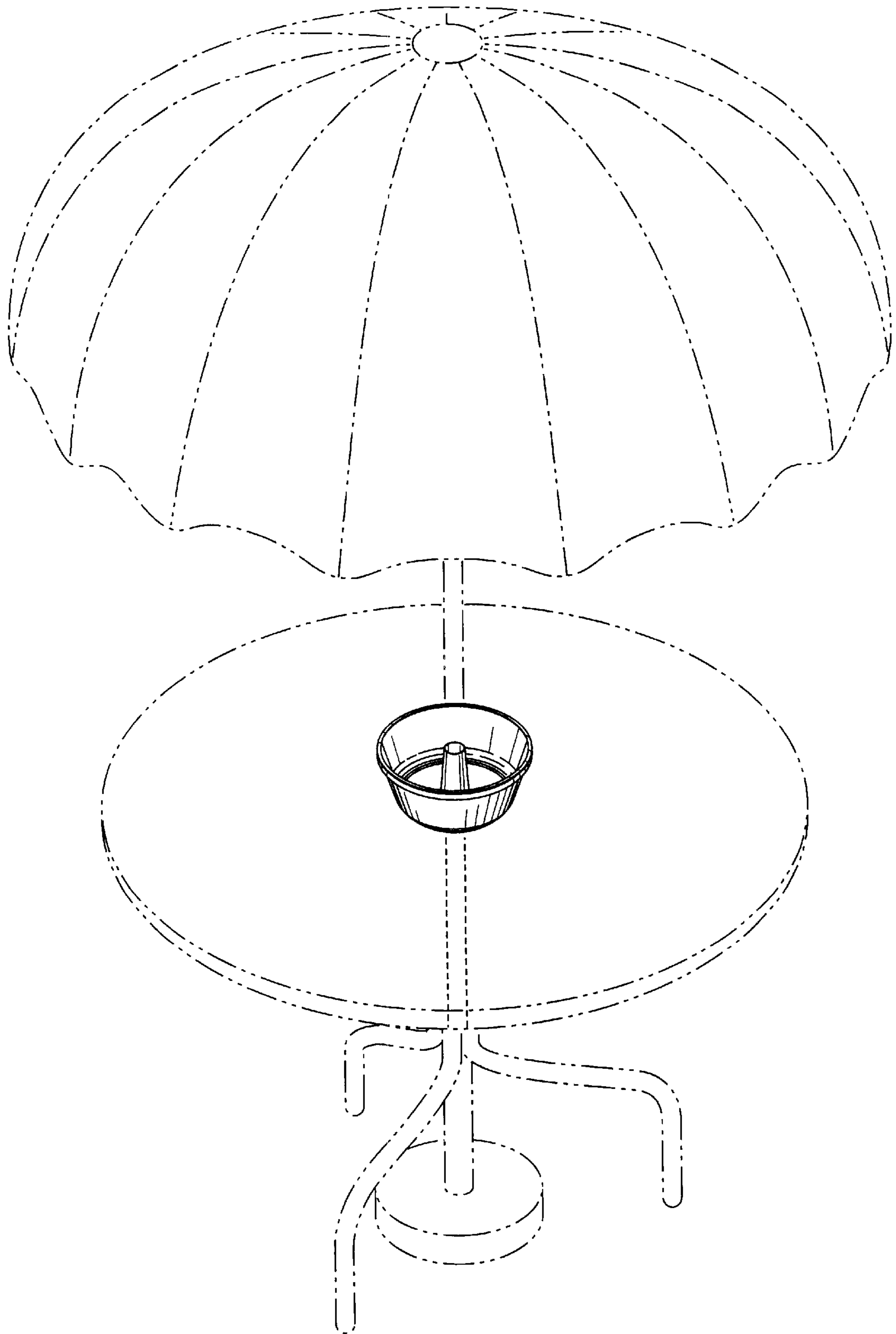


FIG. 5

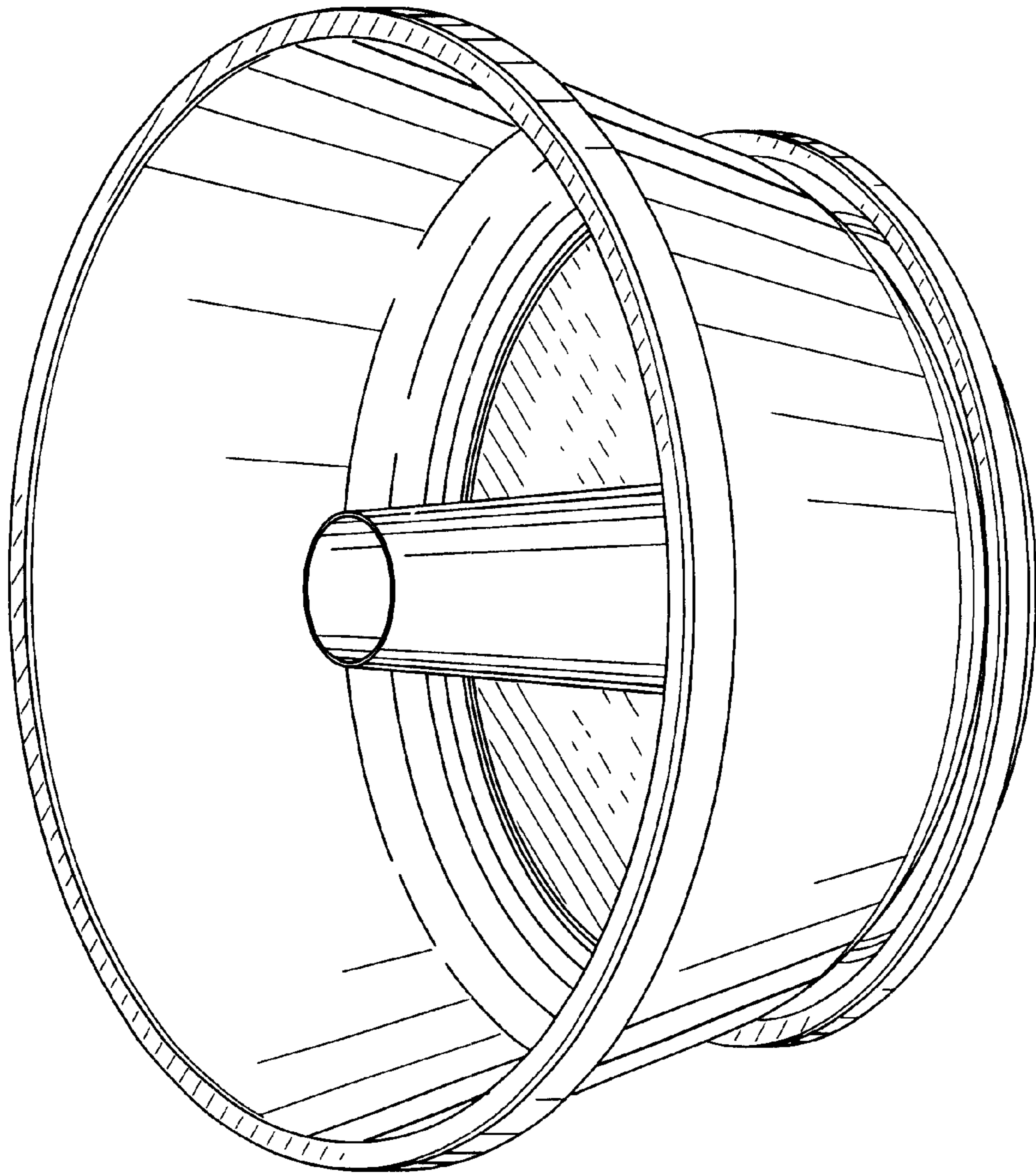


FIG. 6