



US00D453486S

(12) **United States Design Patent**
Zillig

(10) **Patent No.:** **US D453,486 S**

(45) **Date of Patent:** **** Feb. 12, 2002**

(54) **ORNAMENTAL RING**

(75) Inventor: **Hansruedi Zillig**, Neudorf (CH)

(73) Assignee: **Bucherer AG Luzern**, Lucern (CH)

(**) Term: **14 Years**

(21) Appl. No.: **29/144,192**

(22) Filed: **Jun. 28, 2001**

2,453,955 A	11/1948	Youngusband	
D186,822 S	* 12/1959	Goodman	D11/39
D235,466 S	* 6/1975	Volkhausen	D11/35
D271,187 S	* 11/1983	Bulgari	D11/3
D275,089 S	* 8/1984	Bulgari	D11/34
D290,938 S	7/1987	Bulgari	
D309,276 S	7/1990	Mejias	D11/26
D414,132 S	* 9/1999	Ambar	D11/30
6,101,843 A	* 8/2000	Nagano	63/15.4
D434,687 S	* 12/2000	Pasquetti	D11/26
D443,845 S	* 6/2001	Gruosi	D11/26

Related U.S. Application Data

(62) Division of application No. 29/126,765, filed on Jul. 25, 2000.

(30) **Foreign Application Priority Data**

Jan. 26, 2000 (WO) DM/050 918

(51) **LOC (7) Cl.** **11-01**

(52) **U.S. Cl.** **D11/38; D11/26**

(58) **Field of Search** D11/26-39, 3-5;
63/15, 15.1, 15.2, 15.3, 15.4, 15.45, 15.5,
15.6, 15.65, 15.7, 15.8, 15.9, 26-28, 3

(56) **References Cited**

U.S. PATENT DOCUMENTS

948,044 A	* 2/1910	Fishel	63/28
1,146,543 A	7/1915	Abel et al.	
D55,946 S	* 8/1920	Hirsch	D11/38
D61,913 S	* 2/1923	Kaufman	D11/34
1,544,367 A	6/1925	Blaicher	
D68,613 S	* 11/1925	Clifford et al.	D11/38
D129,824 S	* 10/1941	Sager	D11/32
D140,548 S	* 3/1945	Klein	D11/26

OTHER PUBLICATIONS

Littman Jewelers catalog; p. 10, #F—diamond heart ring.*
Platinum Guild International USA; Platinum Edition IV
catalog; 1998; p. 117; Rudolf Erdel/OE heart ring.*

* cited by examiner

Primary Examiner—Cathy Anne MacCormac

(74) *Attorney, Agent, or Firm*—Blank Rome Comisky &
McCauley LLP

(57) **CLAIM**

The ornamental design for an ornamental ring, as shown and
described.

DESCRIPTION

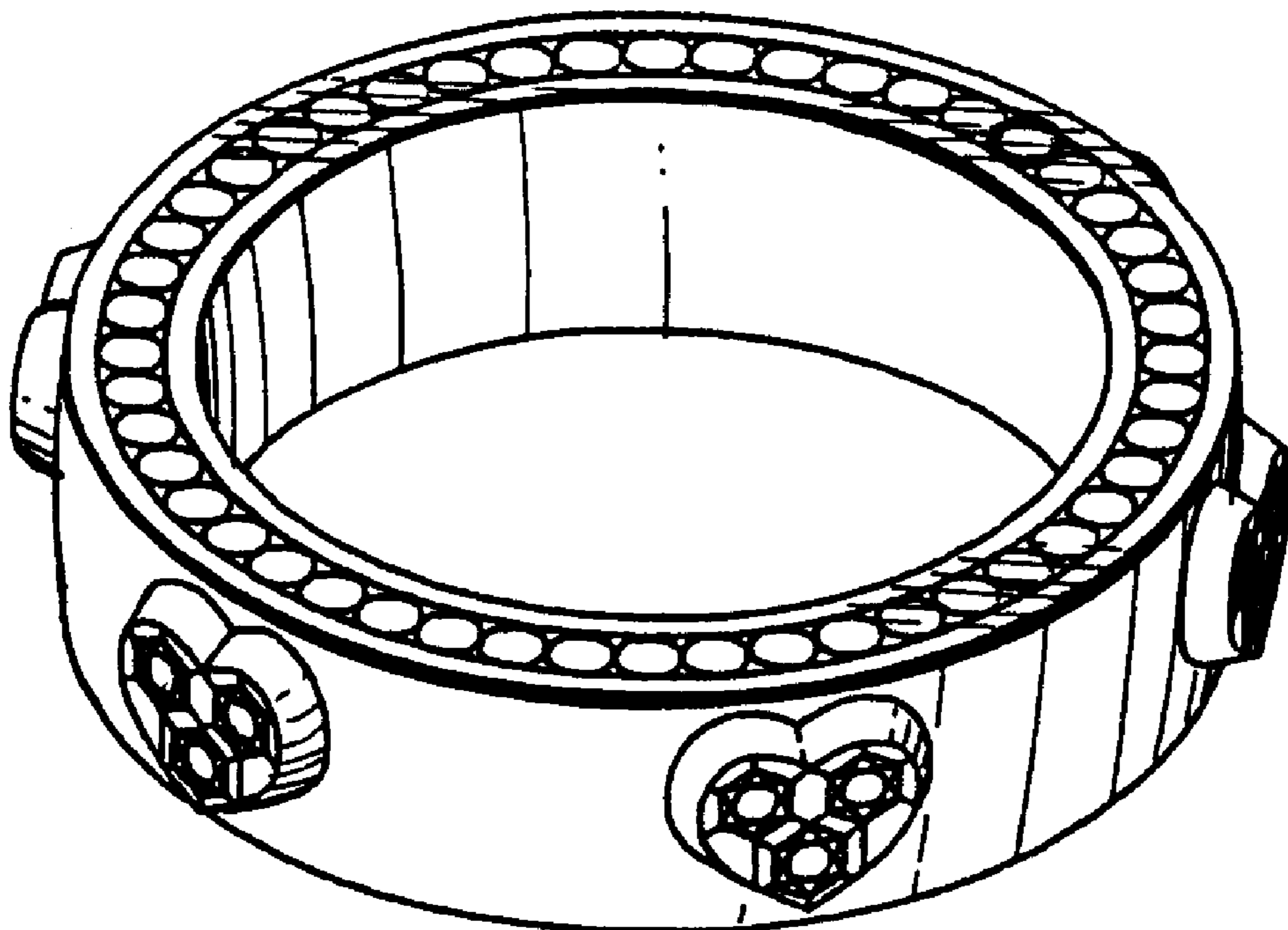
FIG. 1 is a perspective view of a ring showing a pair of
spaced rotatable annular members separated by cylindrical
bearings;

FIG. 2 is a front view thereof;

FIG. 3 is a side view thereof; and,

FIG. 4 is a rear view thereof.

1 Claim, 1 Drawing Sheet



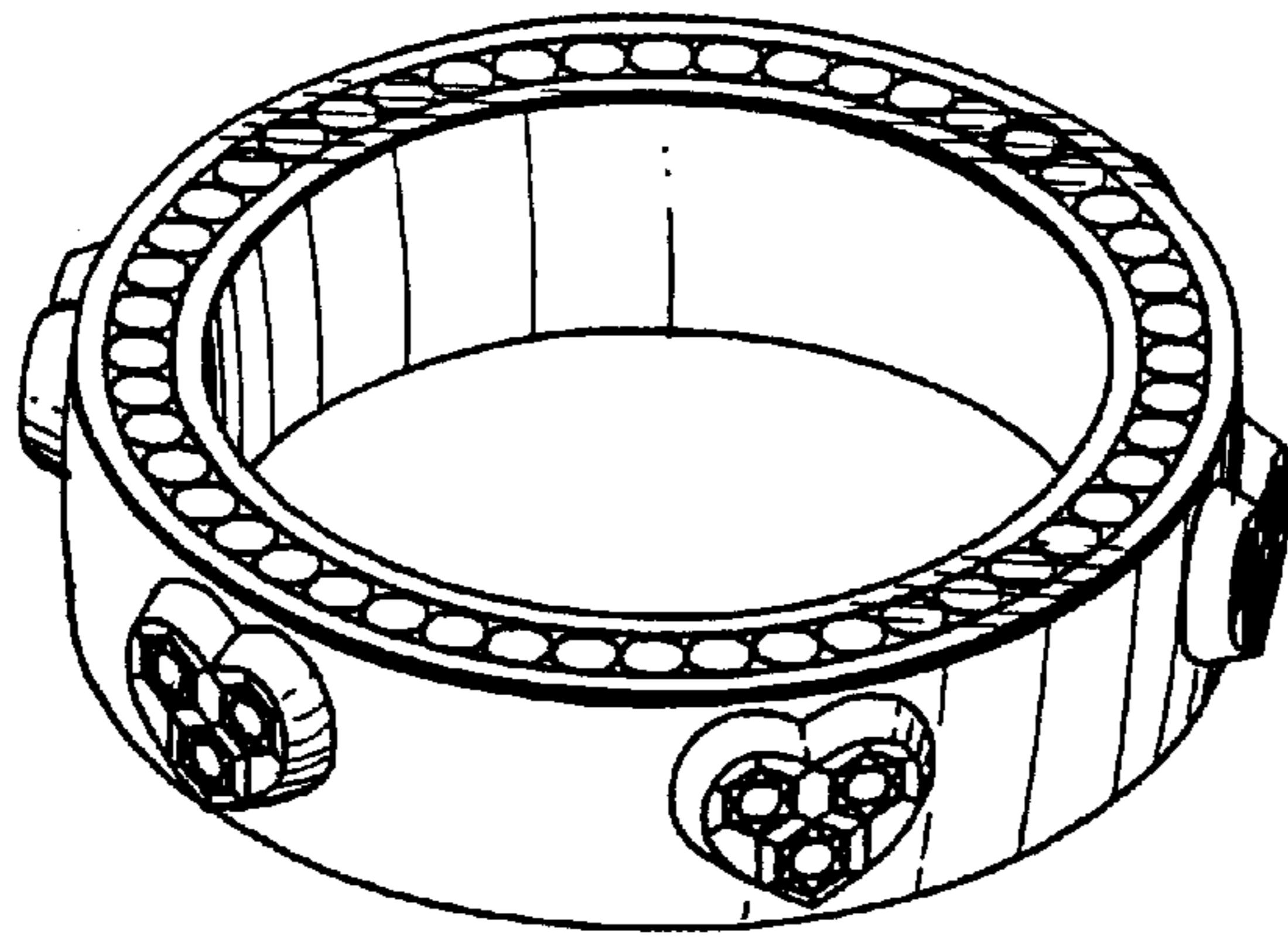


FIG. 1

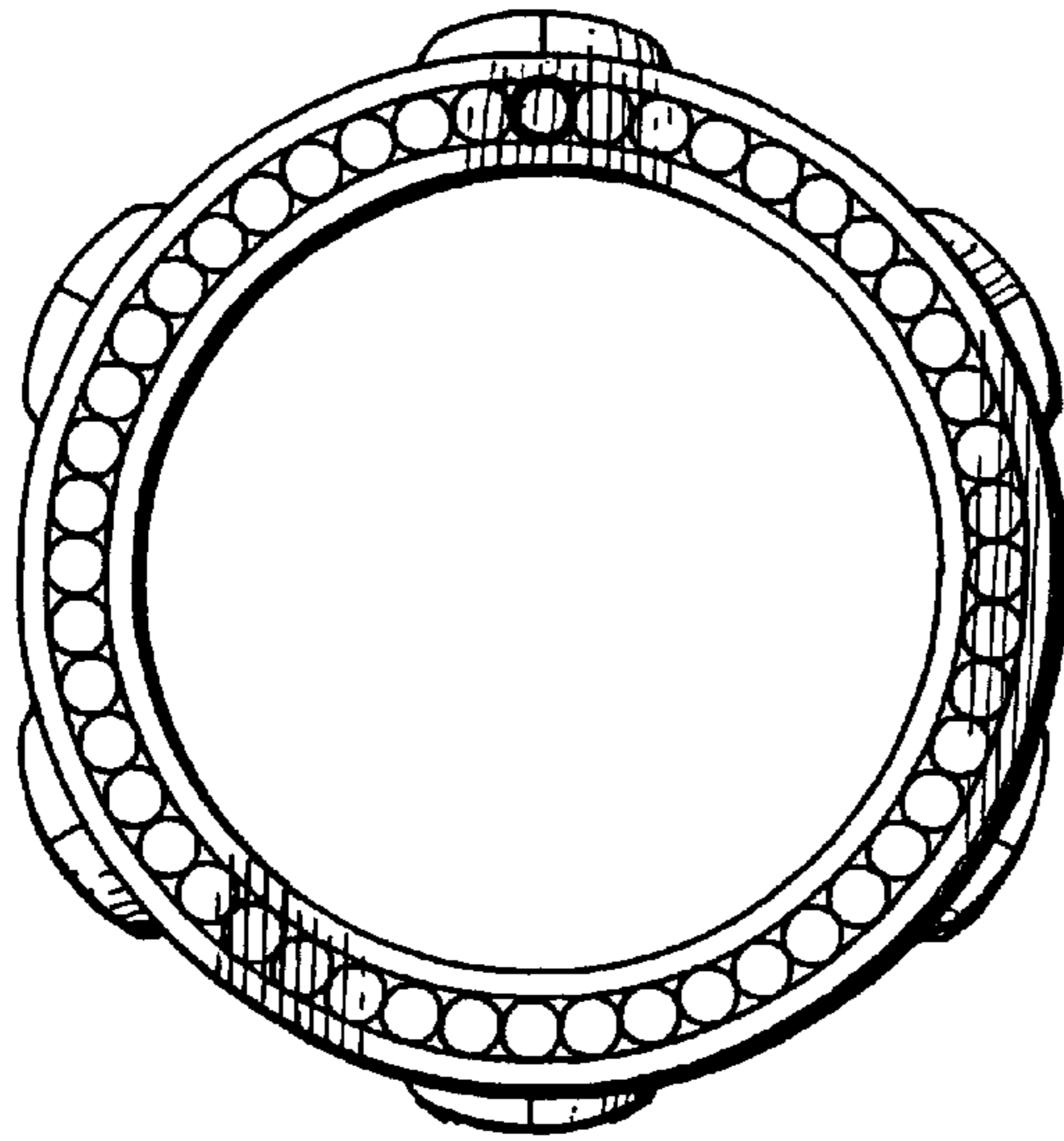


FIG. 2

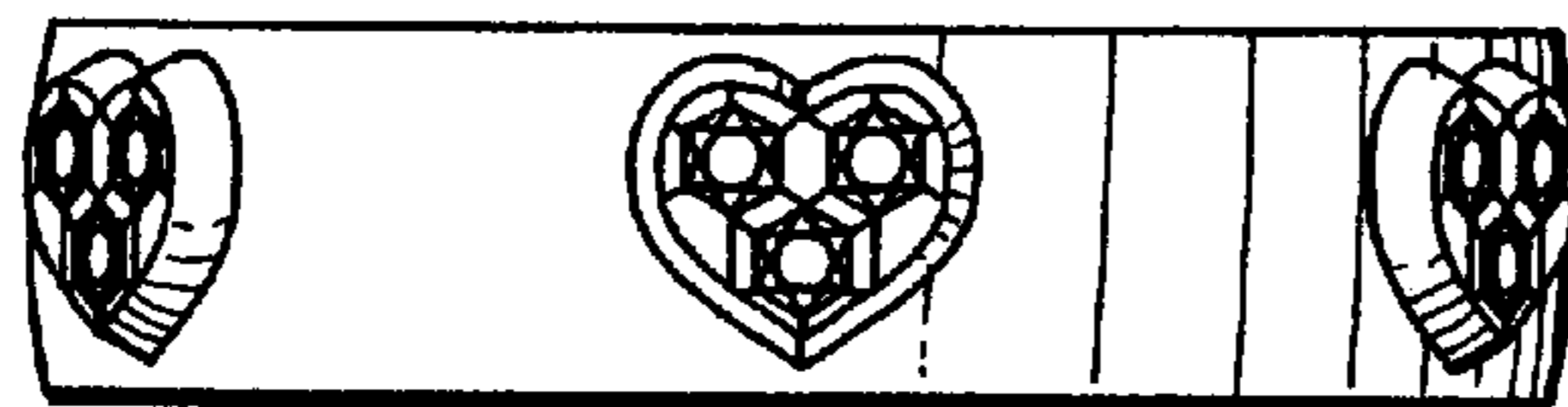


FIG. 3

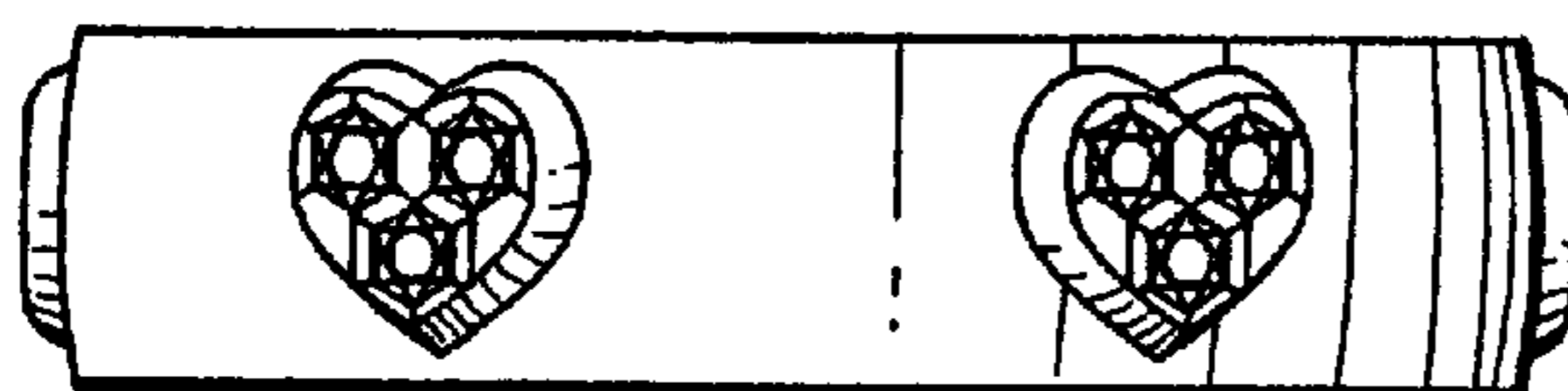


FIG. 4