



US00D453485S

(12) **United States Design Patent**
Kubo

(10) **Patent No.:** **US D453,485 S**

(45) **Date of Patent:** **** Feb. 12, 2002**

(54) **PARTING SCREEN PLATE FOR A WRIST WATCH**

(75) **Inventor:** **Tatsuya Kubo, Iruma (JP)**

(73) **Assignee:** **Casio Keisanki Kabushiki Kaisha**

(**) **Term:** **14 Years**

(21) **Appl. No.:** **29/124,478**

(22) **Filed:** **Jun. 6, 2000**

(51) **LOC (7) Cl.** **10-03**

(52) **U.S. Cl.** **D10/128**

(58) **Field of Search** D10/1-40, 122-132;
368/223-243

(56) **References Cited**

U.S. PATENT DOCUMENTS

D270,430 S	*	9/1983	Fukuoka	D10/39
5,600,611 A	*	2/1997	Kamens	368/10
D417,628 S	*	12/1999	Bunz	D10/39
D435,458 S	*	12/2000	Lewis et al.	D10/30

* cited by examiner

Primary Examiner—Nelson C. Holtje
(74) *Attorney, Agent, or Firm*—Frishauf, Holtz, Goodman, Langer & Chick, P.C.

(57) **CLAIM**

The ornamental design for a parting screen plate for a wrist watch, as shown and described.

DESCRIPTION

FIG. 1 is a front elevational view of a parting screen plate for a wrist watch showing my new design;
FIG. 2 is a right side elevational view thereof;
FIG. 3 is a left side elevational view thereof;
FIG. 4 is a top plan view thereof;
FIG. 5 is a bottom plan view thereof;
FIG. 6 is a rear elevational view thereof; and,
FIG. 7 is a front, bottom and right side perspective view thereof.

1 Claim, 2 Drawing Sheets

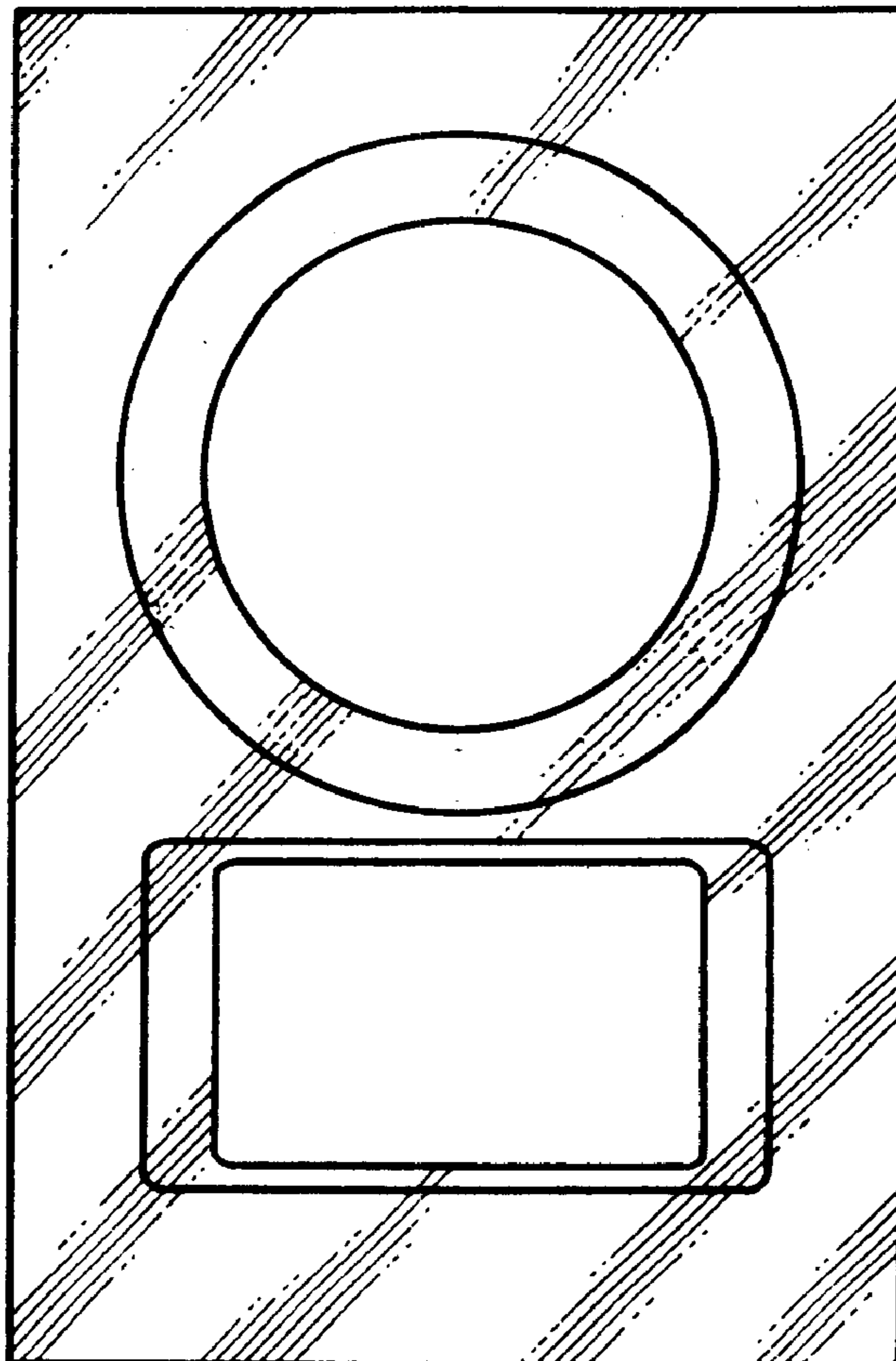


FIG. 4



FIG. 3



FIG. 1

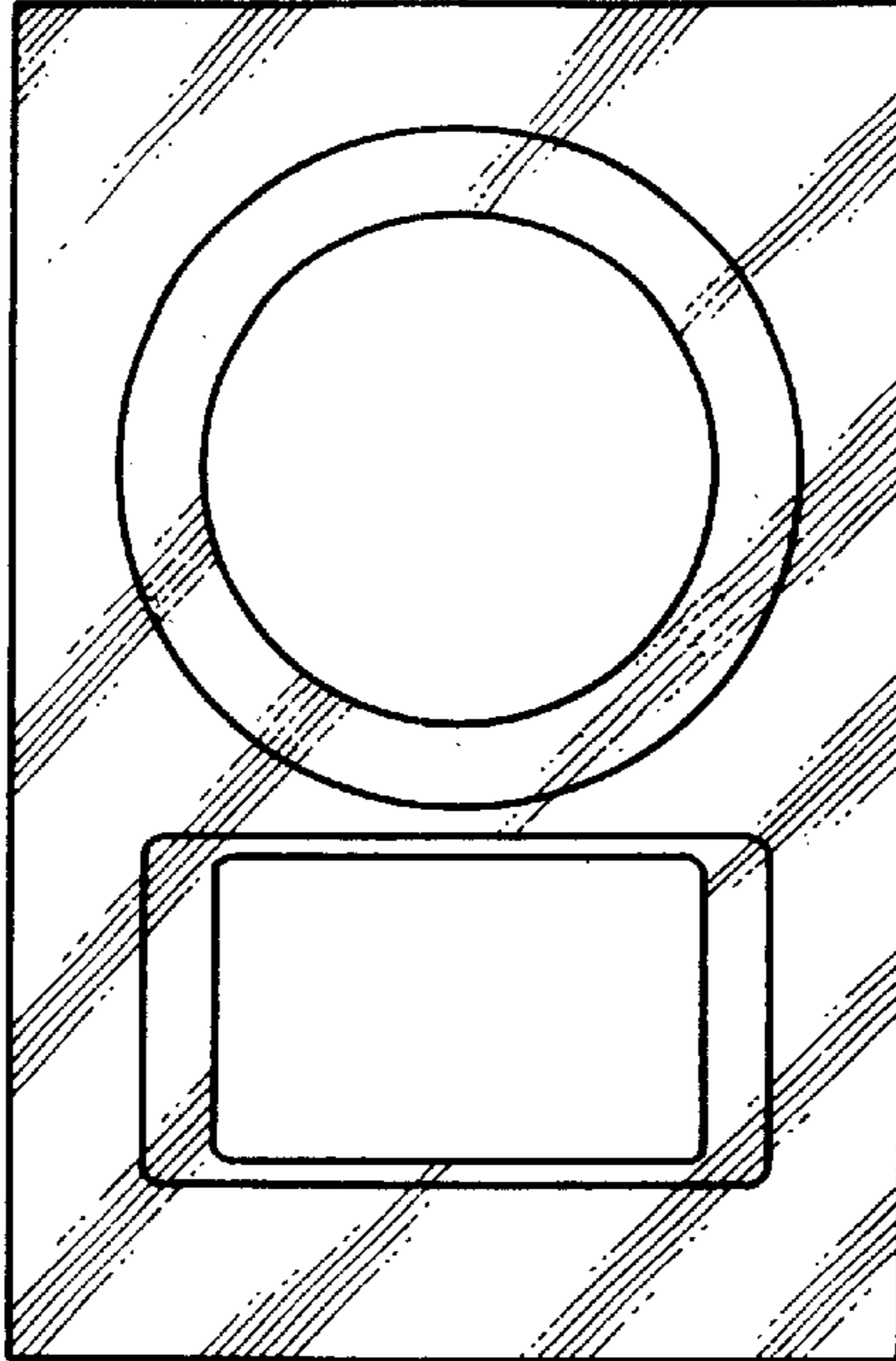


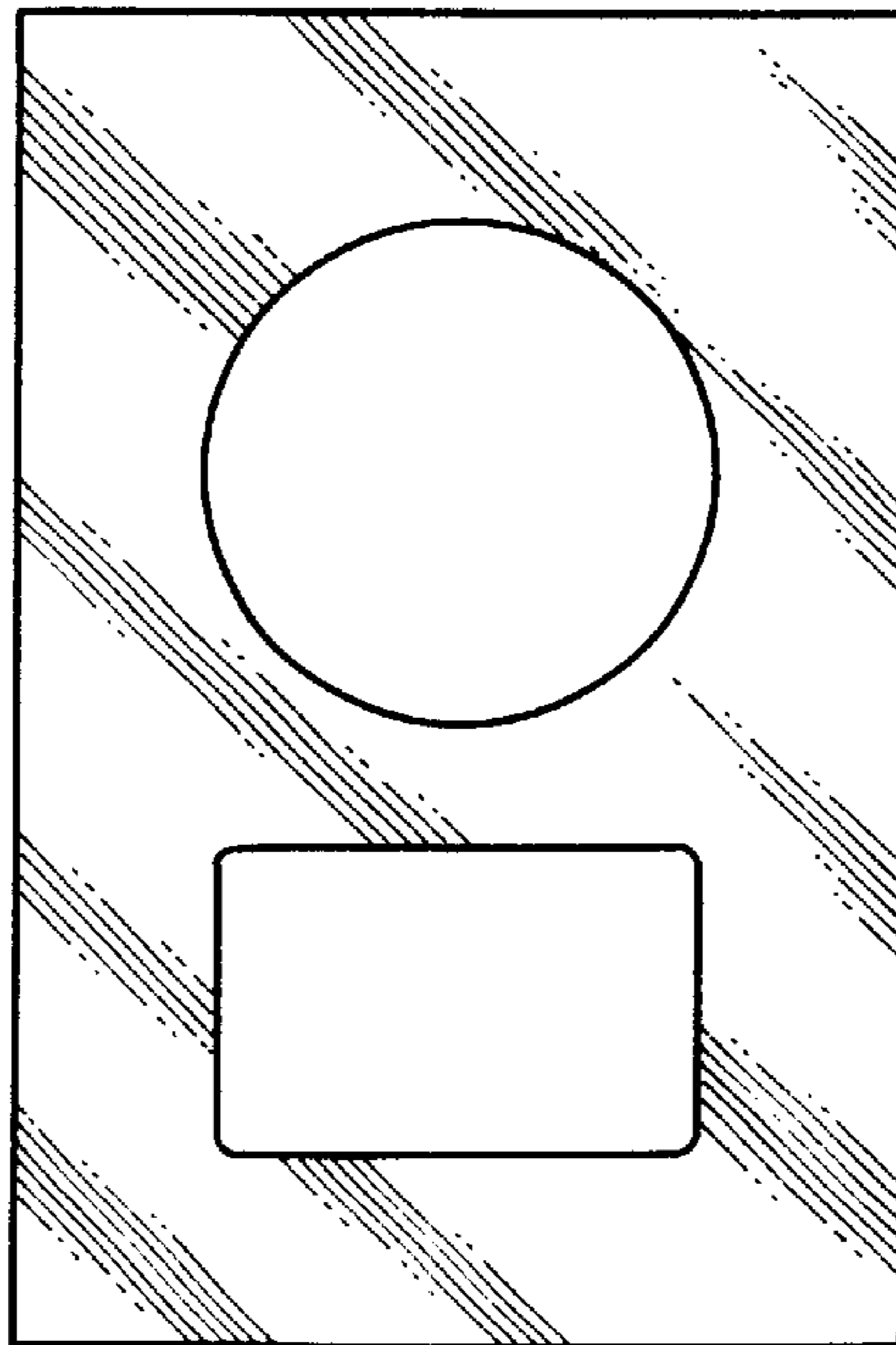
FIG. 2



FIG. 5



FIG. 6



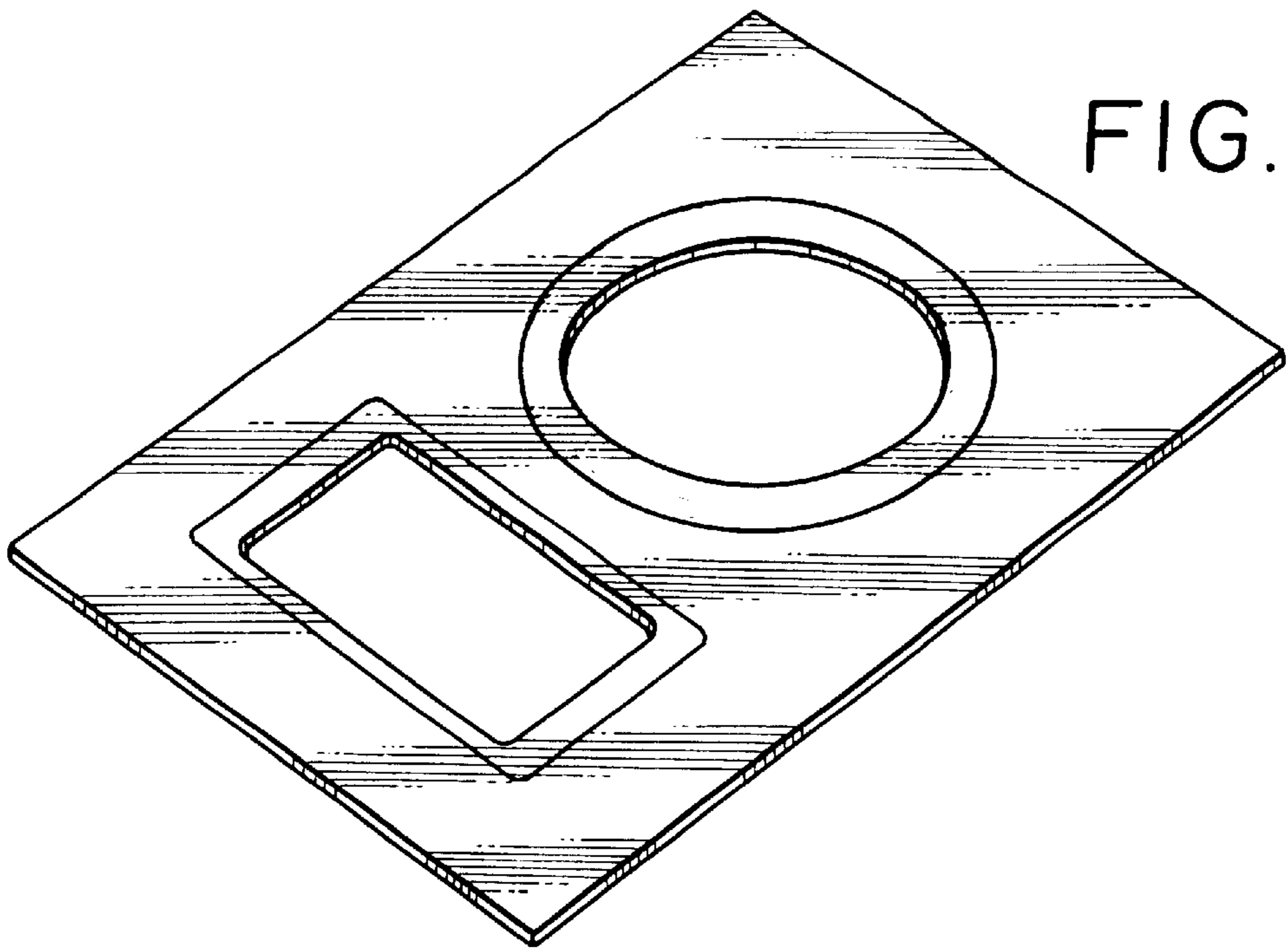
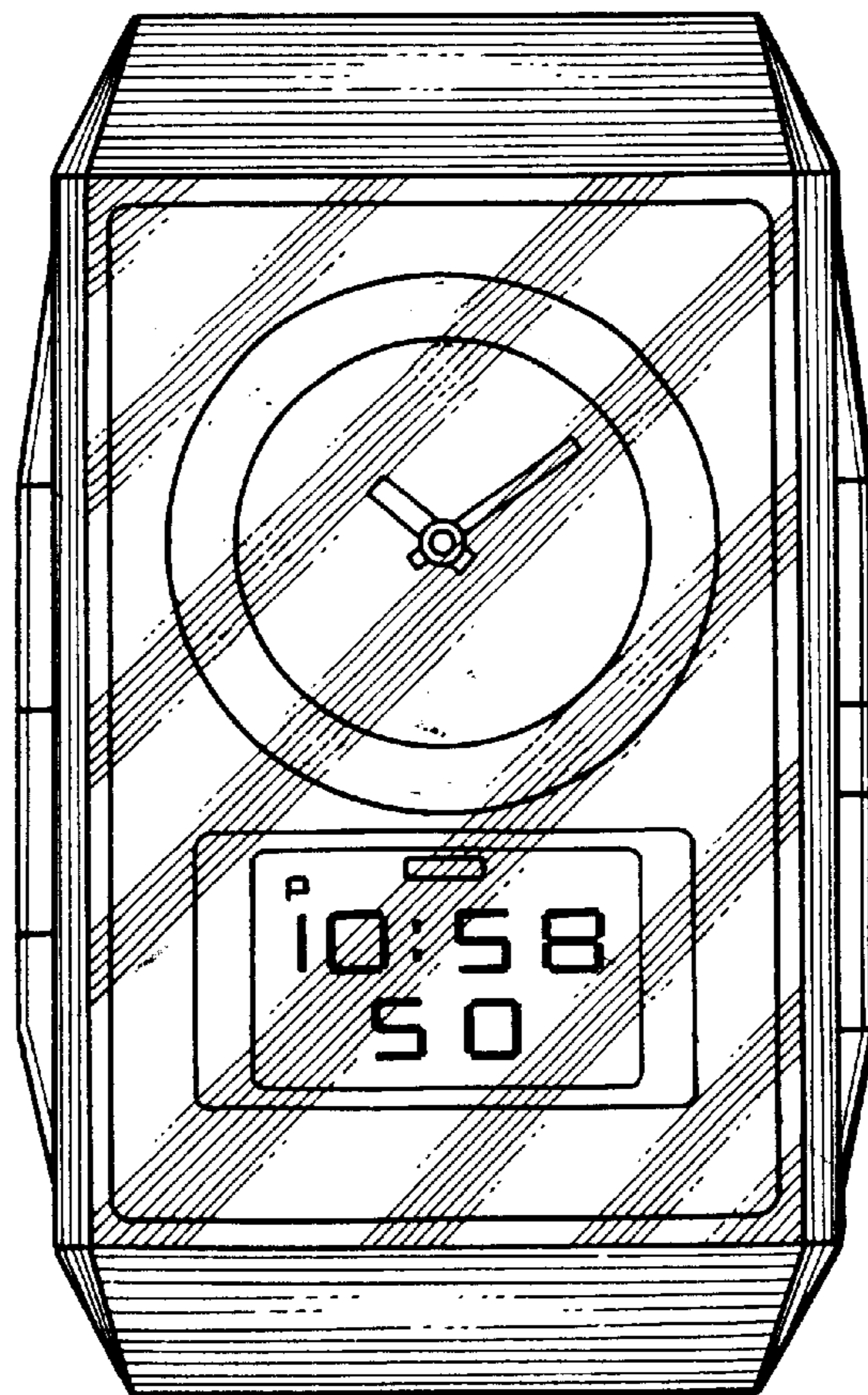


FIG. 7

FIG. 8



UNITED STATES PATENT AND TRADEMARK OFFICE
CERTIFICATE OF CORRECTION

PATENT NO. : Des. 453,485 S
DATED : February 12, 2002
INVENTOR(S) : Tatsuya Kubo

Page 1 of 1

It is certified that error appears in the above-identified patent and that said Letters Patent is hereby corrected as shown below:

Drawings,
Delete "Fig. 8".

Signed and Sealed this

Seventh Day of January, 2003

A handwritten signature in black ink, appearing to read "James E. Rogan", written over a horizontal line.

JAMES E. ROGAN
Director of the United States Patent and Trademark Office