



US00D453483S

(12) **United States Design Patent**
Choe

(10) **Patent No.:** **US D453,483 S**

(45) **Date of Patent:** **** Feb. 12, 2002**

(54) **MISSING PERSON LOCATOR SET**

D427,098 S * 6/2000 Biary D10/104
D427,099 S * 6/2000 Hunter D10/104

(76) Inventor: **Danny Choe**, 1166 E. Jersey St.,
Elizabeth, NJ (US) 07201

* cited by examiner

(**) Term: **14 Years**

Primary Examiner—Marcus A. Jackson

(21) Appl. No.: **29/139,457**

(57) **CLAIM**

(22) Filed: **Mar. 30, 2001**

The ornamental design for a missing person locator set, as shown and described.

(51) **LOC (7) Cl.** **10-05**

DESCRIPTION

(52) **U.S. Cl.** **D10/104**

(58) **Field of Search** D10/104, 106,
D10/116, 121; 340/345, 348, 349, 351,
354, 570, 571, 572, 573; D14/155

FIG. 1 is a front elevational view of the missing person locator set of the present invention;
FIG. 2 is a rear elevational view of the missing person locator set of FIG. 1;
FIG. 3 is a left side elevational view of the missing person locator set of FIG. 1;
FIG. 4 is a right side elevational view of the missing person locator set of FIG. 1;
FIG. 5 is a bottom plan view of the missing person locator set of FIG. 1; and,
FIG. 6 is a top plan view of the missing person locator set of FIG. 1.

(56) **References Cited**

U.S. PATENT DOCUMENTS

4,694,284 A	9/1987	Leveille et al.	
5,014,040 A	5/1991	Weaver et al.	
5,021,794 A	6/1991	Lawrence	
D329,620 S	9/1992	Salazar	
D346,339 S	* 4/1994	Zintick D10/104
5,617,074 A	4/1997	White	
5,936,530 A	8/1999	Meinhold	

1 Claim, 6 Drawing Sheets

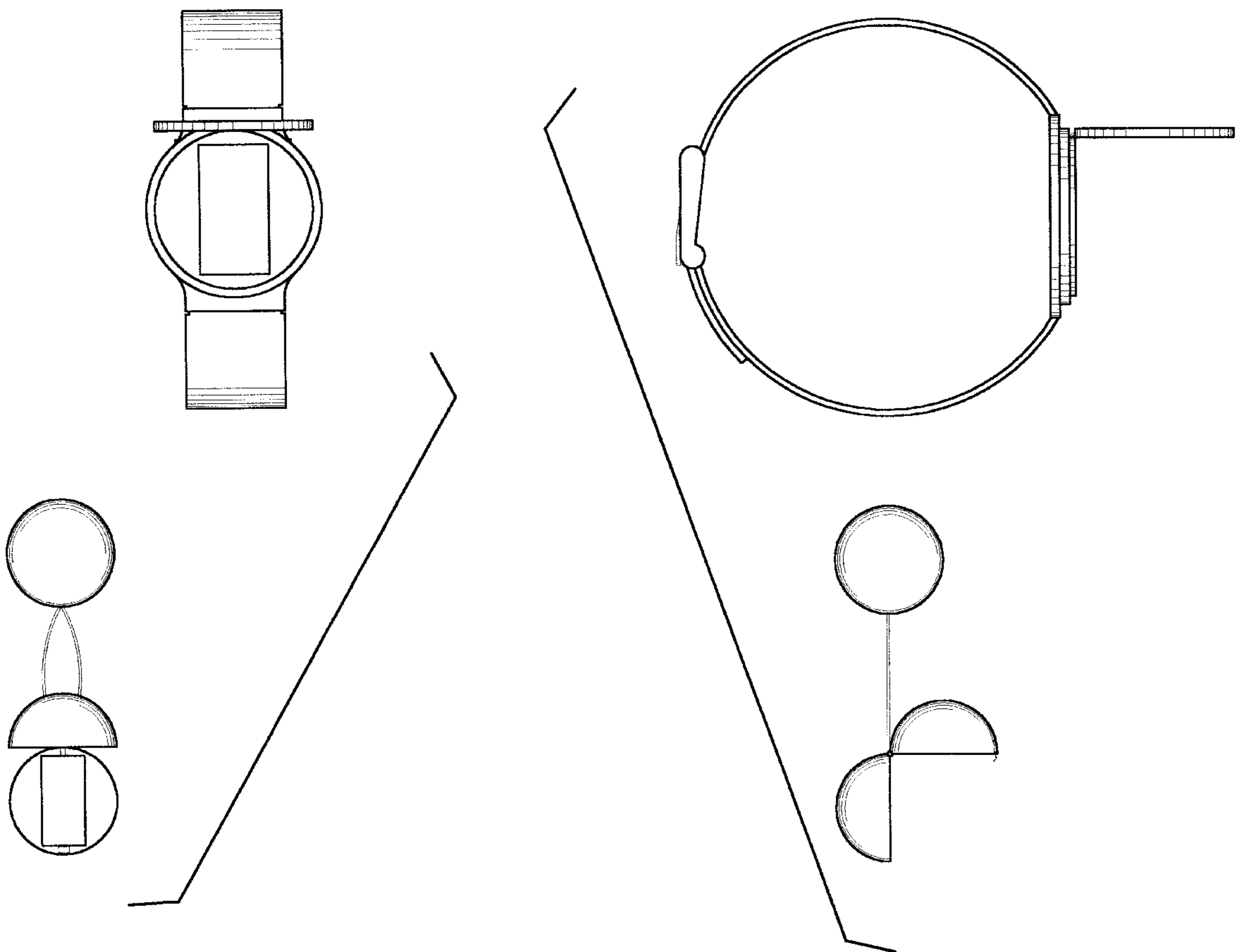
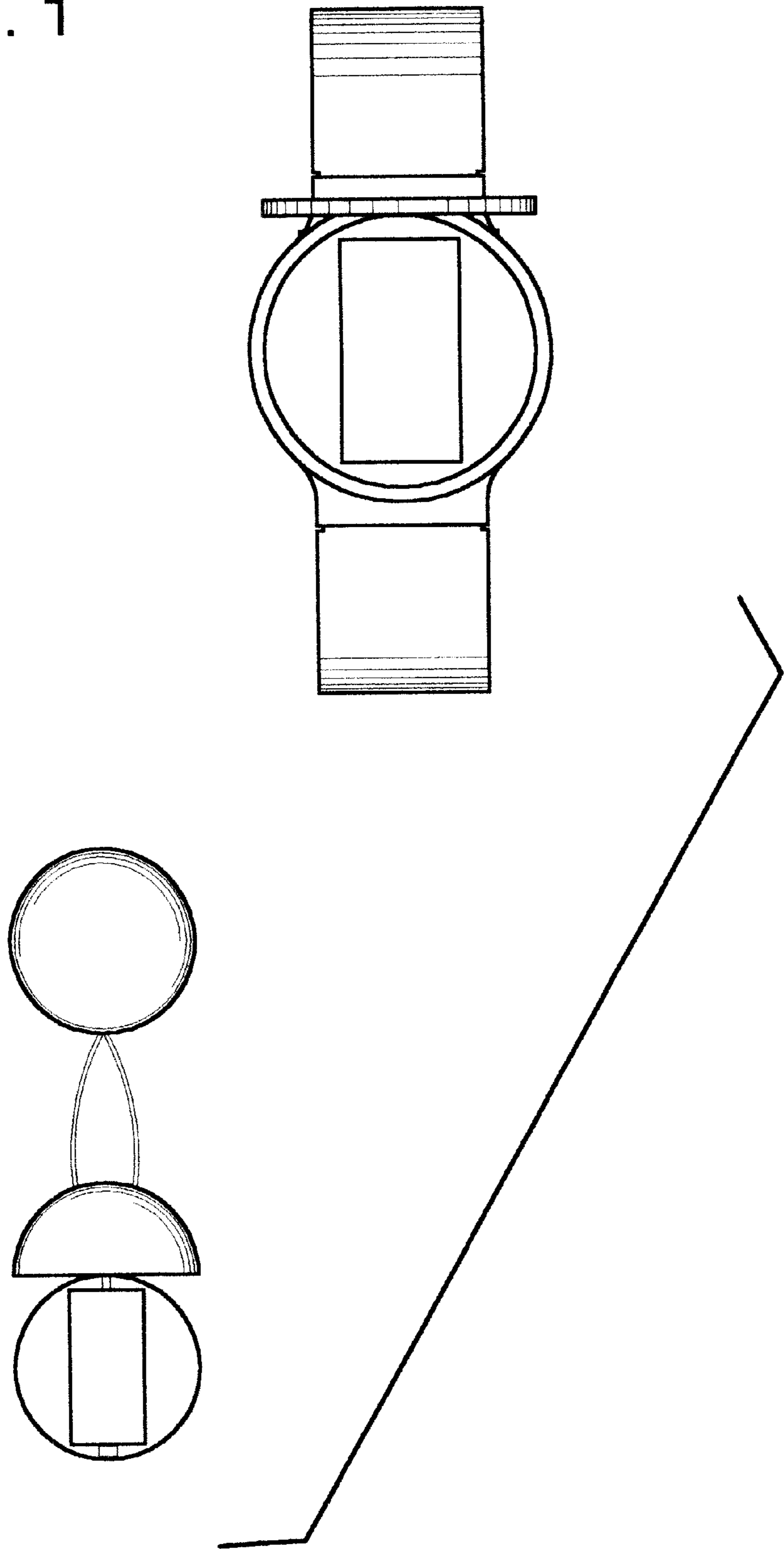


FIG. 1



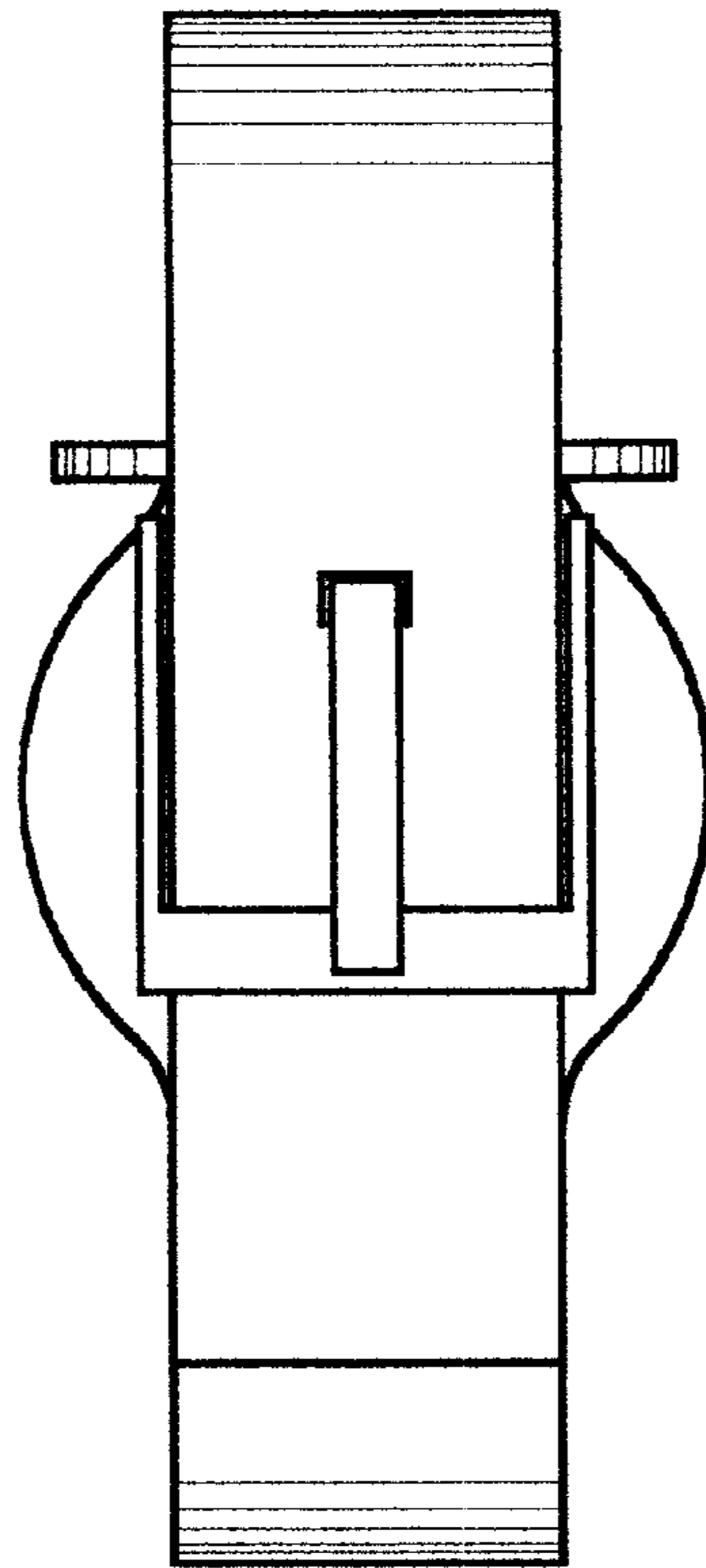


FIG. 2

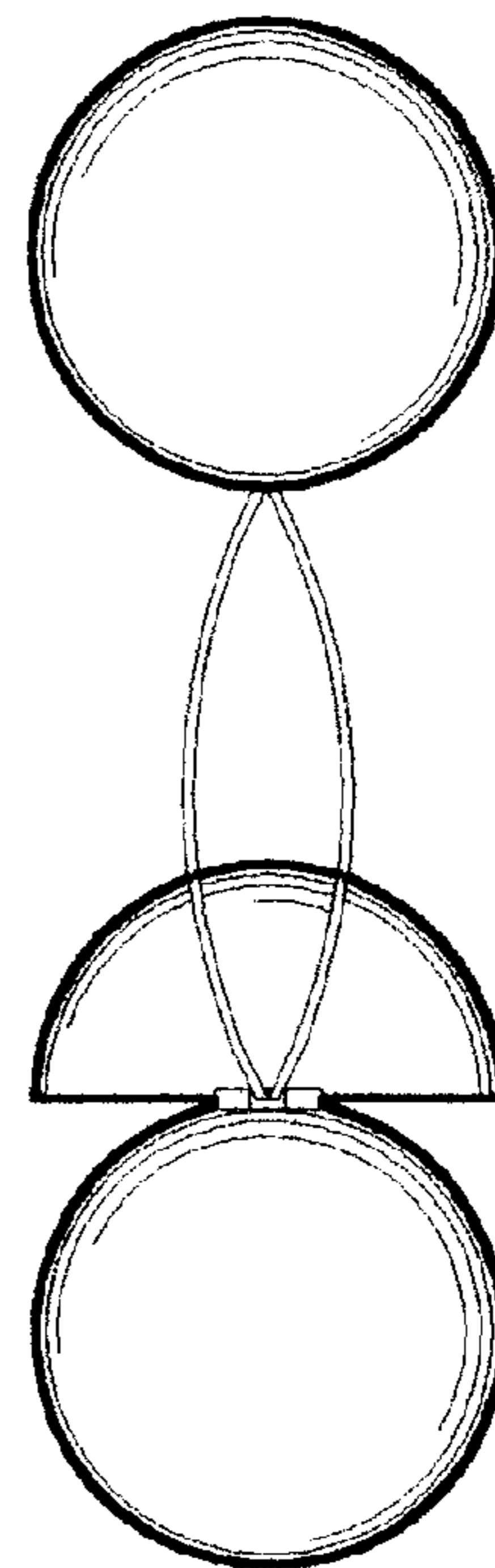
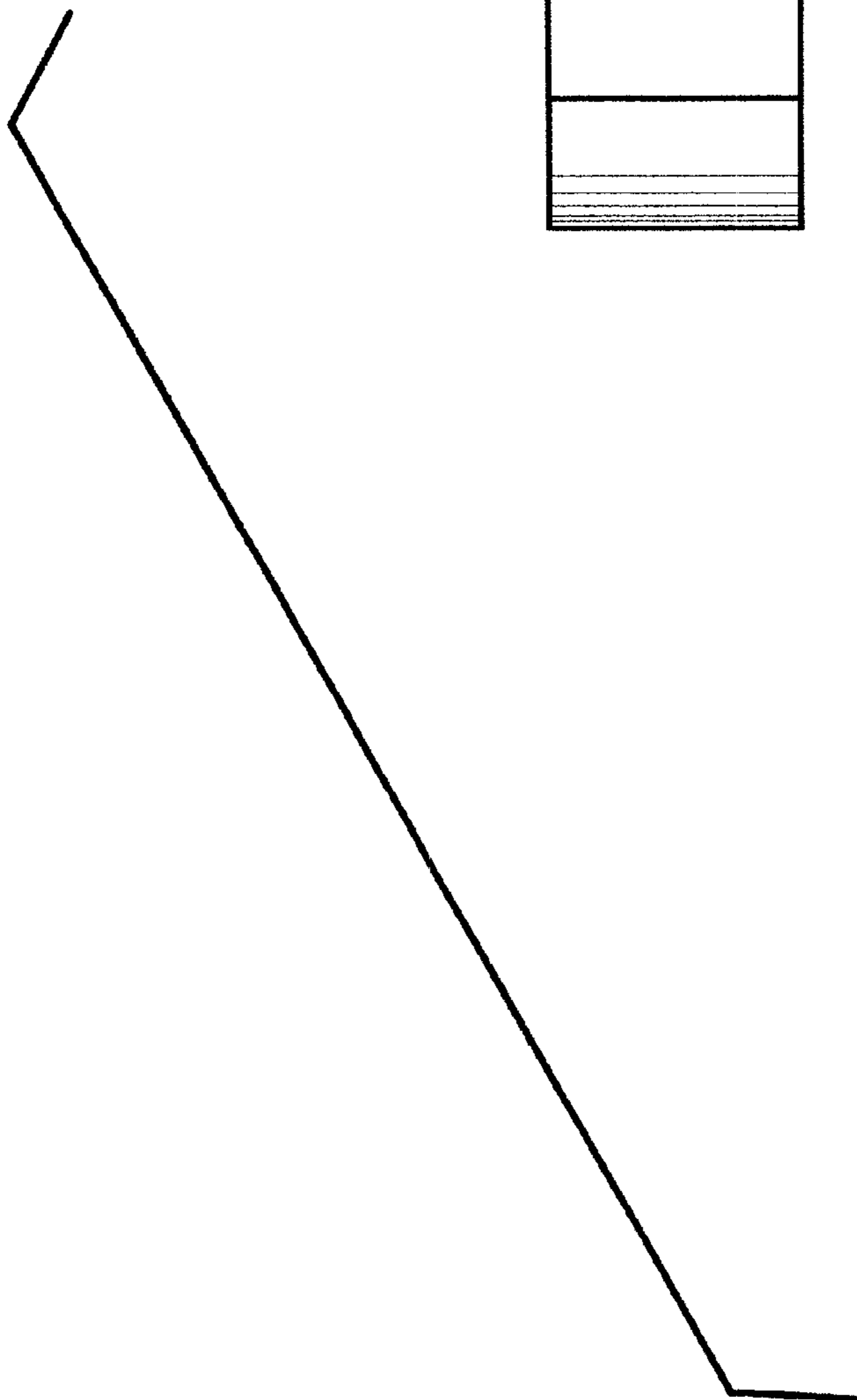


FIG. 3

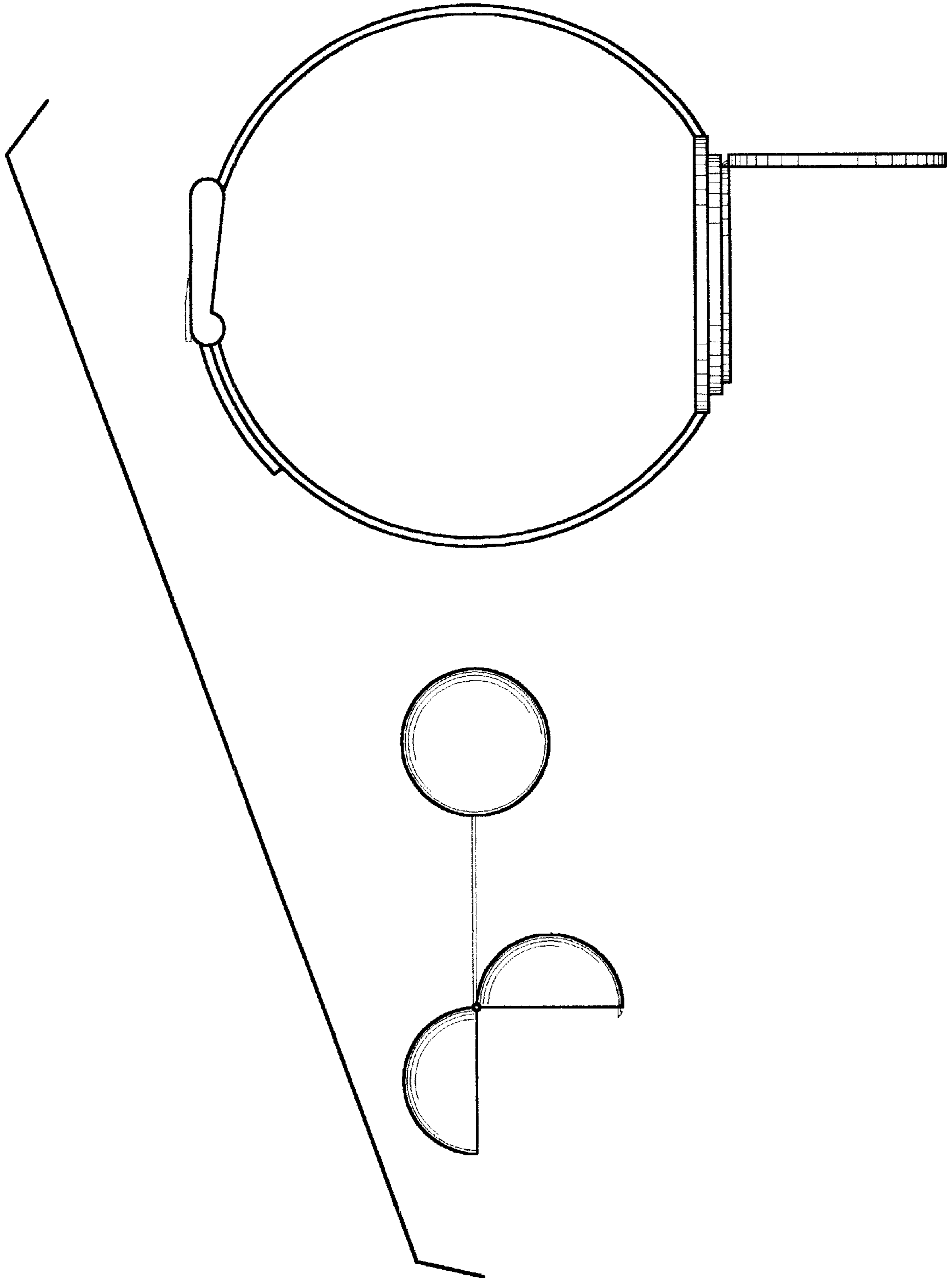


FIG. 4

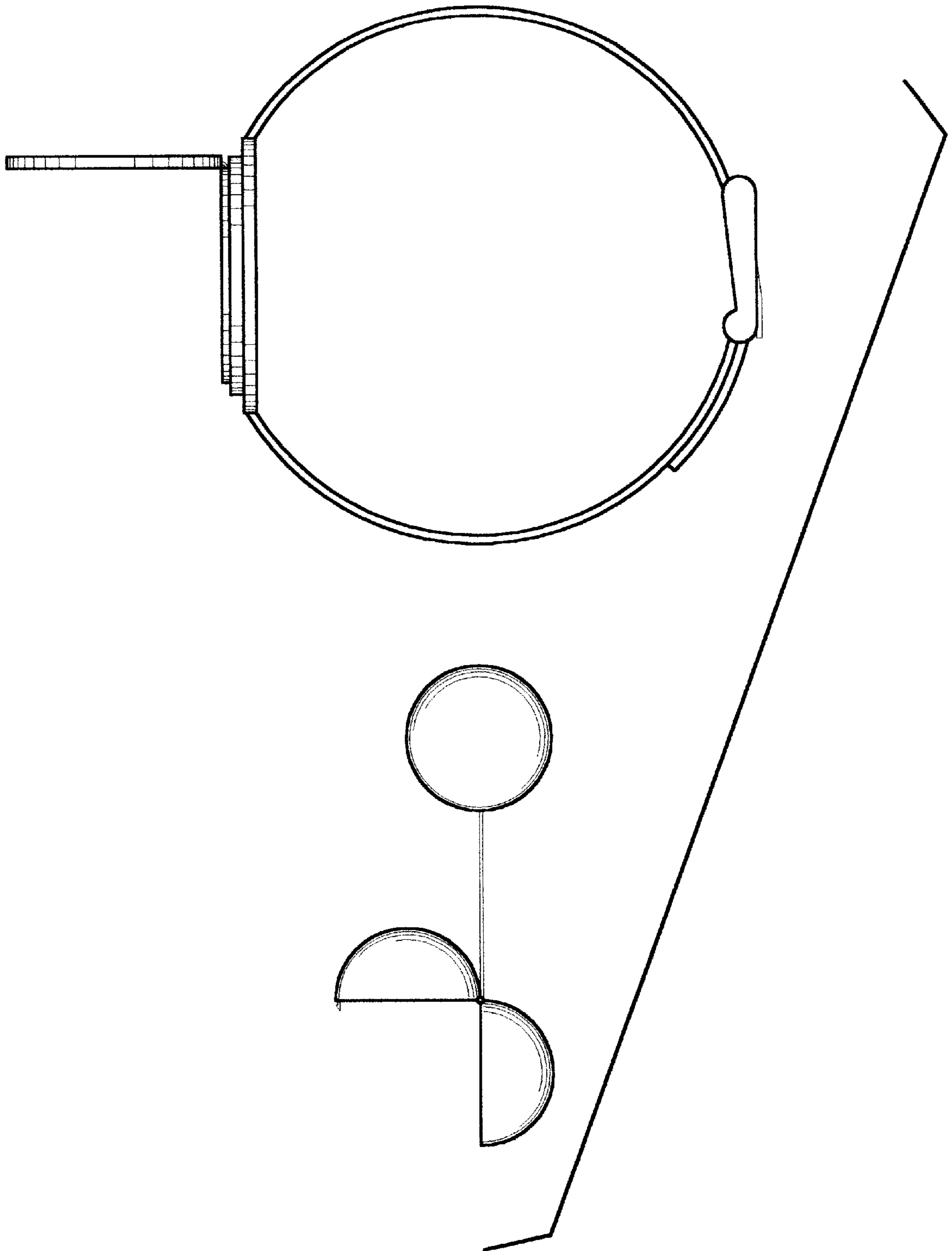


FIG. 5

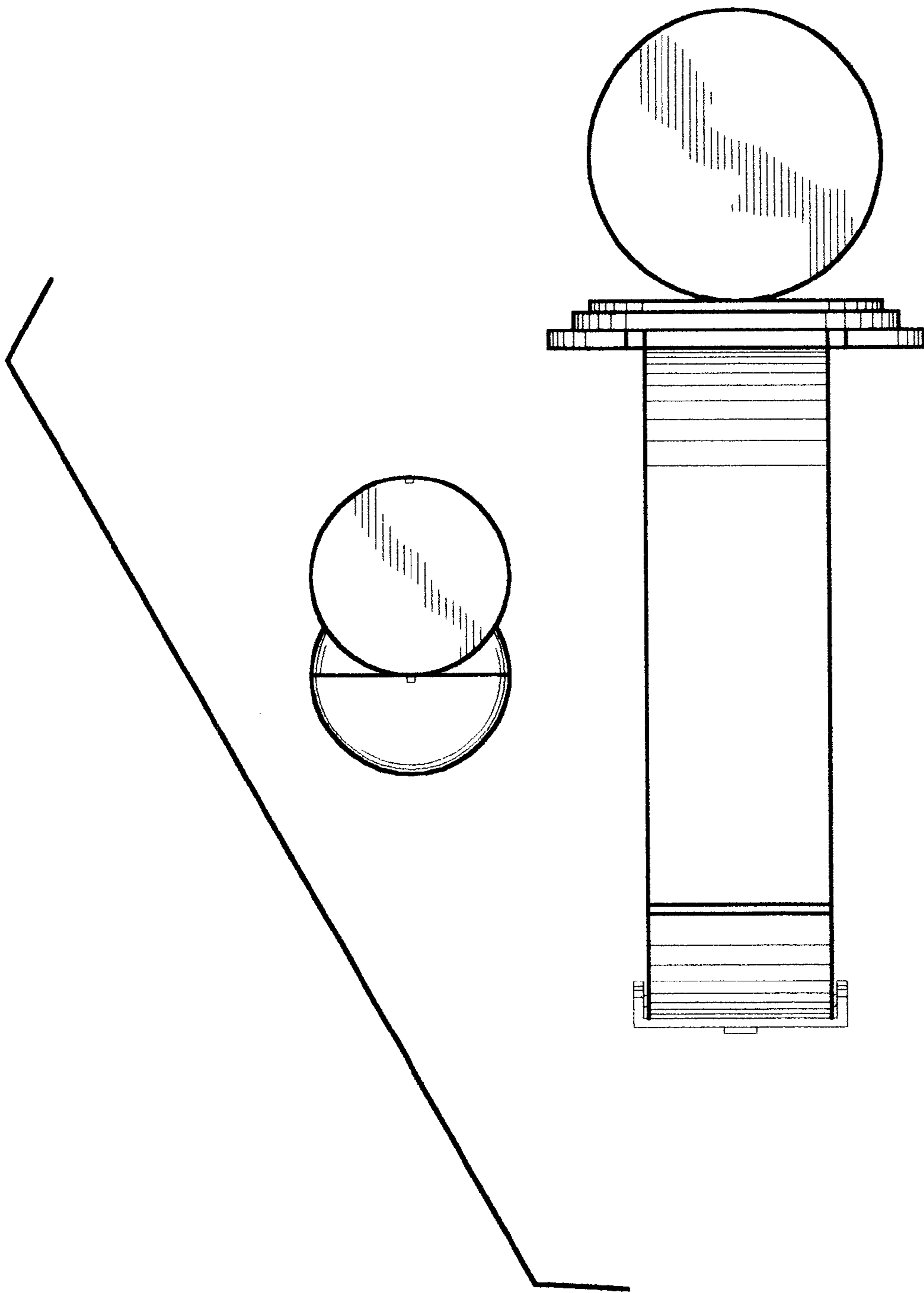


FIG. 6

