



US00D453480S

(12) **United States Design Patent**
Stocker et al.

(10) **Patent No.:** **US D453,480 S**

(45) **Date of Patent:** **** Feb. 12, 2002**

(54) **EASY MEASURE TAPE**

(76) Inventors: **George A. Stocker**, 336 Milltown Rd.,
Bridgewater, NJ (US) 08807; **Robert J.
Powell**, 67 Woods Rd., Hillsbrough, NJ
(US) 08844-4755

(**) Term: **14 Years**

(21) Appl. No.: **29/142,216**

(22) Filed: **May 21, 2001**

(51) **LOC (7) Cl.** **10-04**

(52) **U.S. Cl.** **D10/72**

(58) **Field of Search** D10/72; 33/700,
33/755, 757, 758, 770, 759; 242/129.5,
157 R, 899

(56) **References Cited**

U.S. PATENT DOCUMENTS

1,684,566	A *	9/1928	Winkler	33/759
2,064,745	A *	12/1936	Harrie	33/759
4,989,341	A *	2/1991	Scotese	33/759

* cited by examiner

Primary Examiner—Antoine Duval Davis
(74) *Attorney, Agent, or Firm*—Cozzarelli Law Firm P.A.;
Frank Cozzarelli, Jr.

(57) **CLAIM**

The ornamental design for an easy measure tape, as shown and described.

DESCRIPTION

FIG. 1 is a front perspective view of the easy measure tape showing my design;

FIG. 2 front view thereof;

FIG. 3 rear view thereof;

FIG. 4 top plan view thereof;

FIG. 5 bottom plan view thereof

FIG. 6 right side elevation view thereof;

FIG. 7 left side elevation view thereof; and,

FIG. 8 perspective view with lowered rod.

The broken line showing is for illustrative purposes only and forms no part of the claimed design.

1 Claim, 6 Drawing Sheets

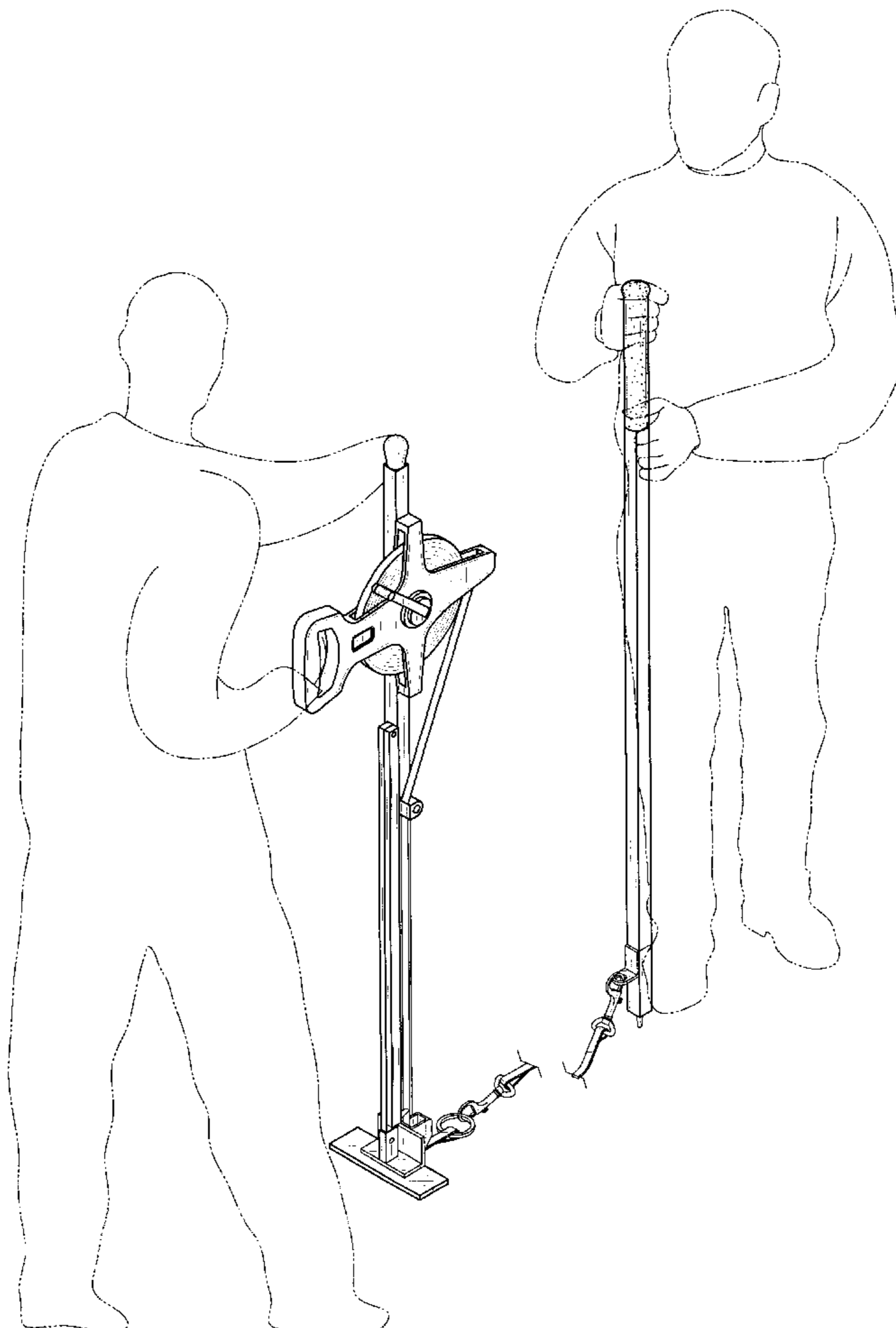


FIG. 1

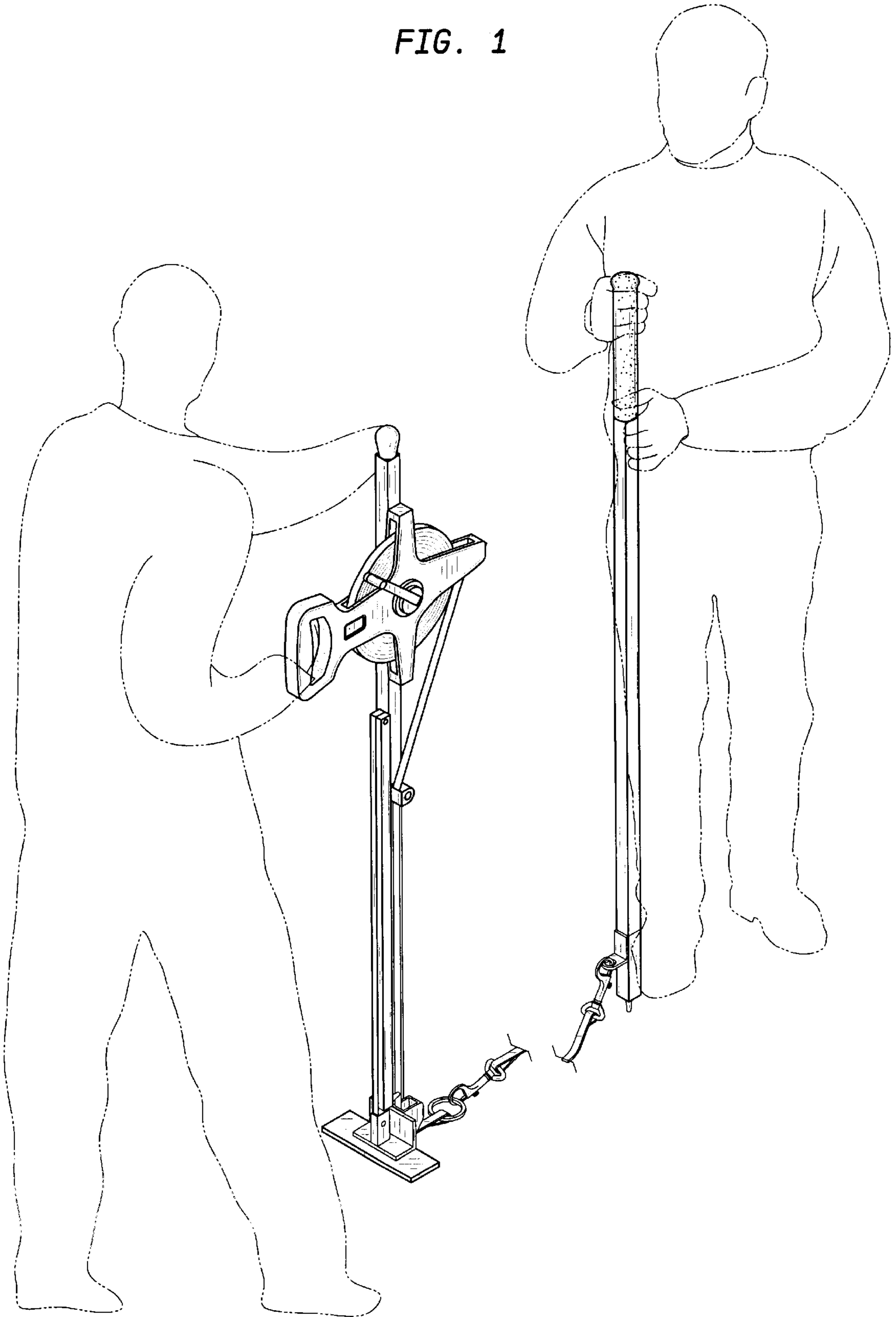


FIG. 2

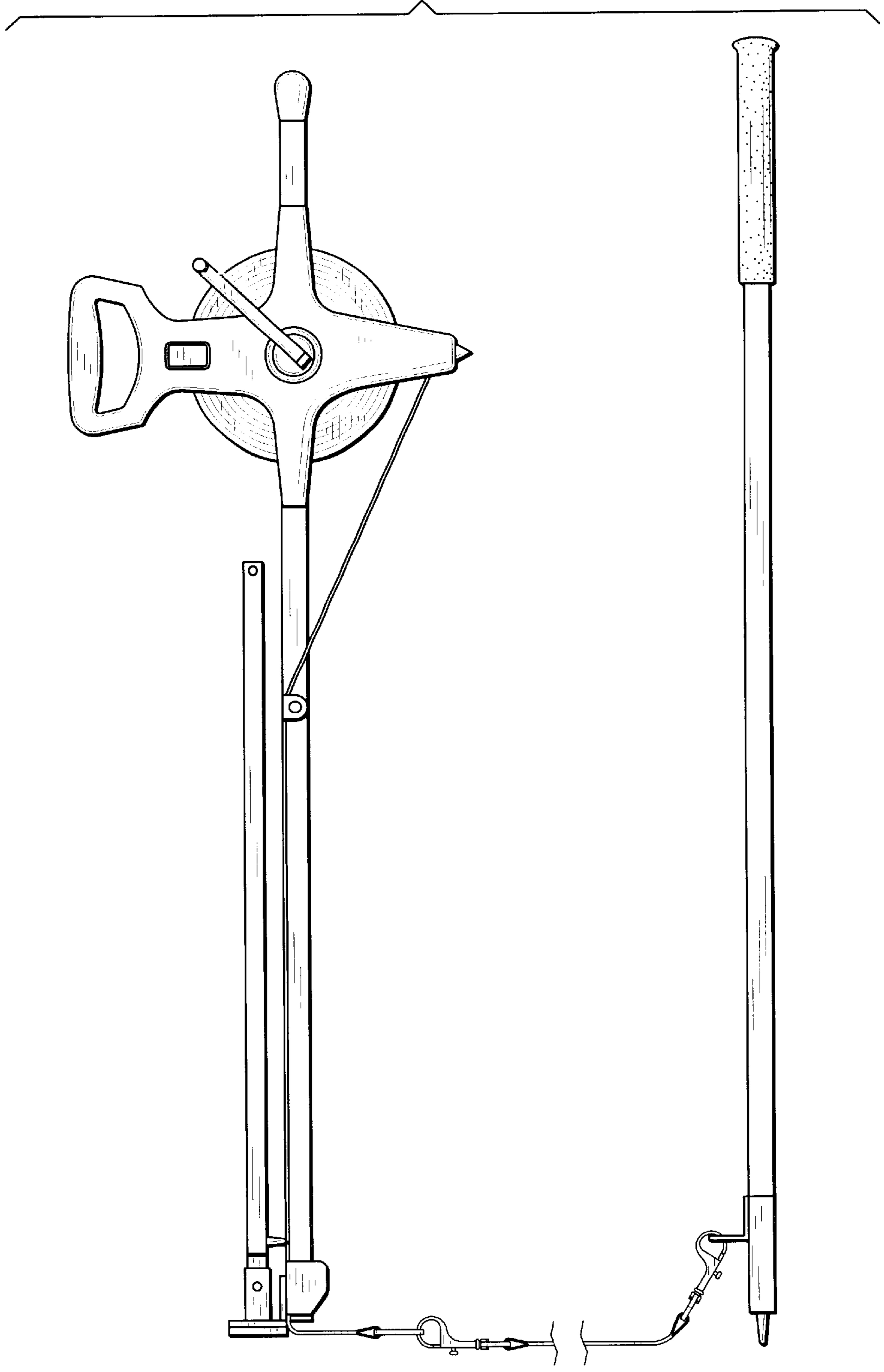


FIG. 3

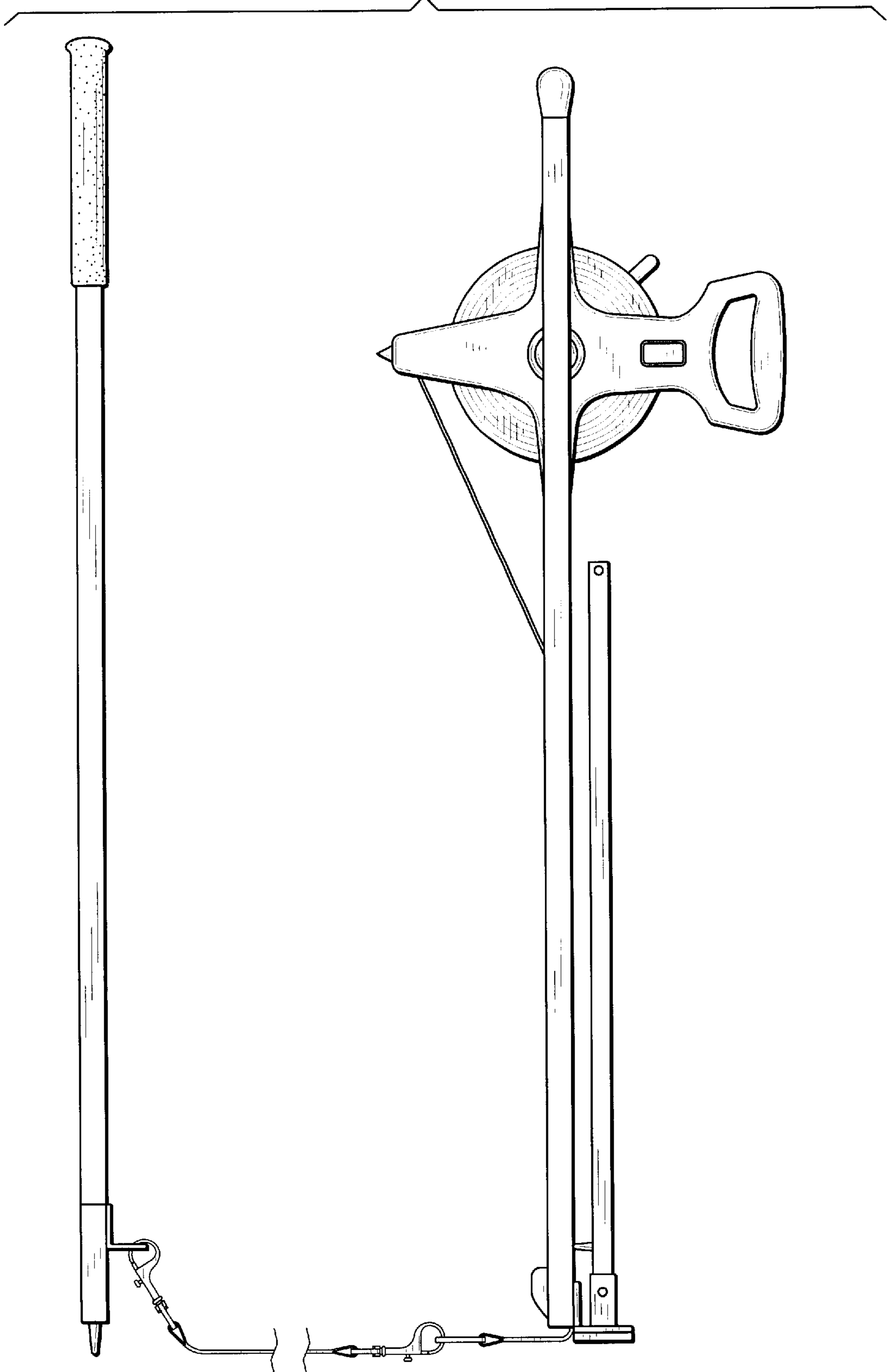


FIG. 4

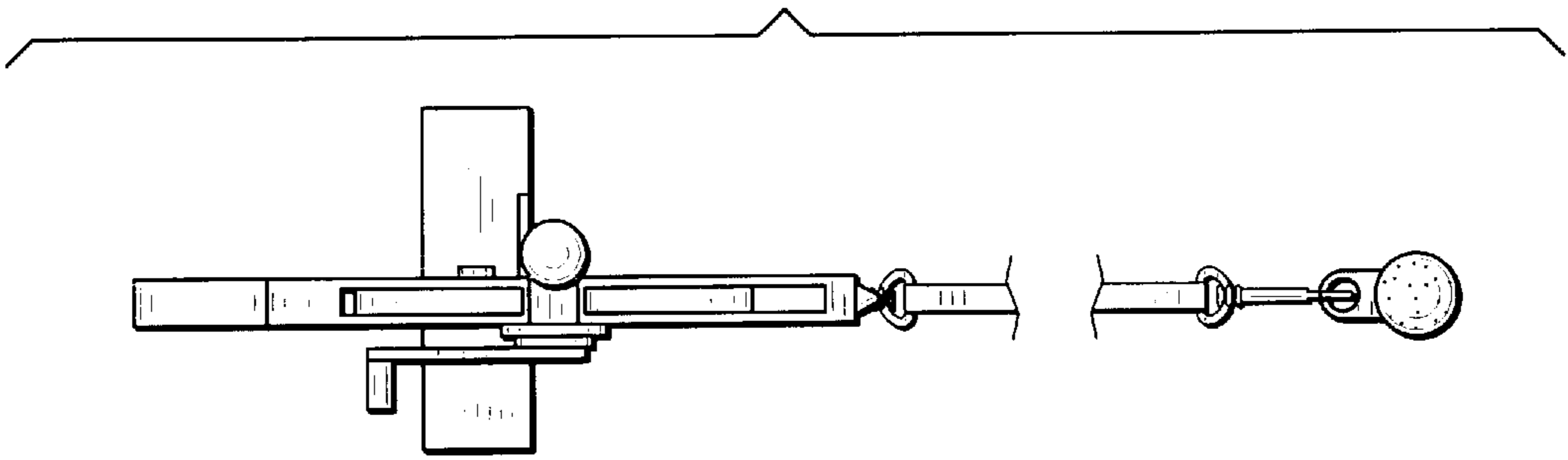


FIG. 5

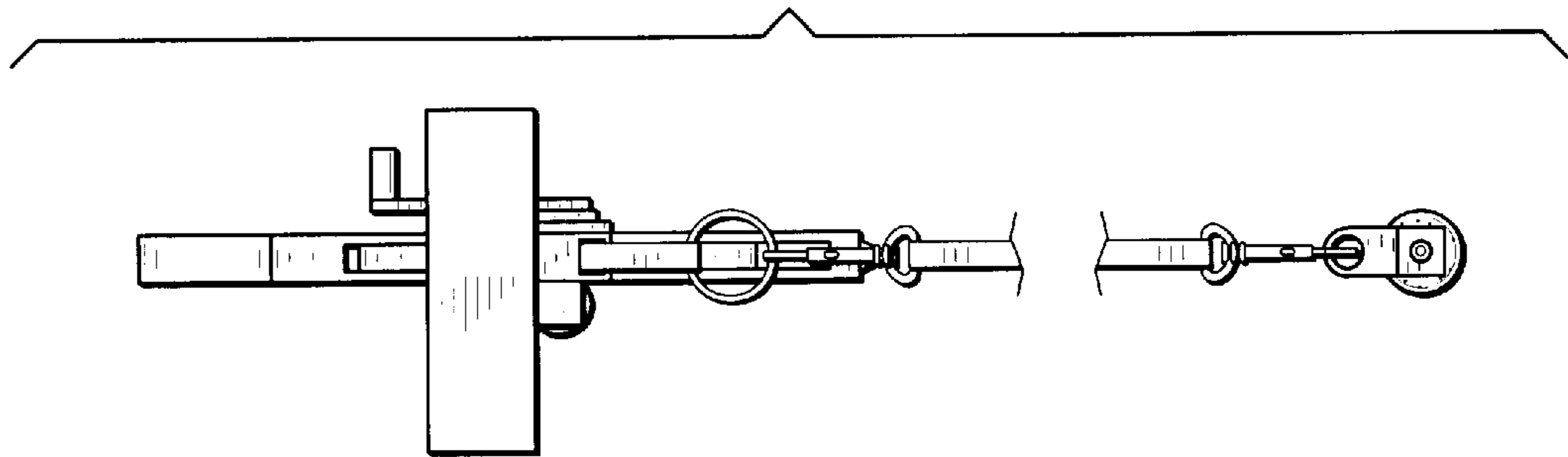


FIG. 6

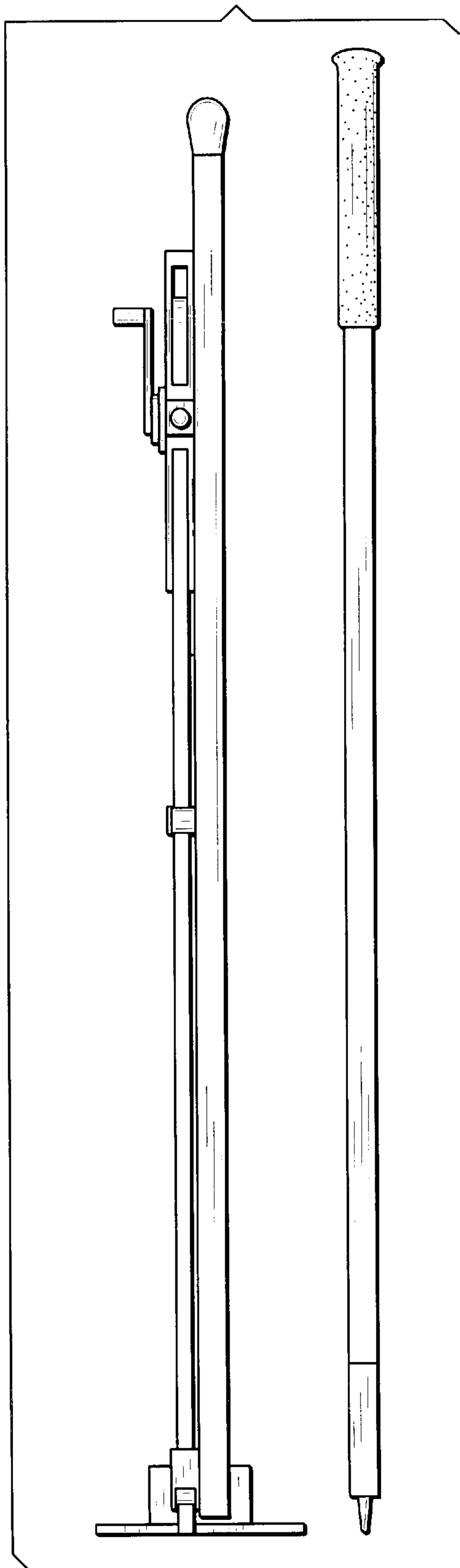


FIG. 7

