



US00D453474S

(12) **United States Design Patent**
Guadalupe

(10) **Patent No.:** **US D453,474 S**

(45) **Date of Patent:** **** Feb. 12, 2002**

(54) **WATCH CASE**

D434,337 S * 11/2000 Lassigne D10/32
D439,525 S * 3/2001 Versace D10/30

(76) Inventor: **Ricardo Guadalupe**, Au Moulin 4,
1312 Eclépens (CH)

* cited by examiner

(**) Term: **14 Years**

Primary Examiner—Nelson C. Holtje

(21) Appl. No.: **29/141,649**

(57) **CLAIM**

(22) Filed: **May 10, 2001**

I claim the ornamental design for the watch case, as shown and described.

(30) **Foreign Application Priority Data**

DESCRIPTION

Mar. 16, 2001 (XH) DM/055 359

FIG. 1 is a front right perspective view of the new ornamental watch case of the present invention; FIG. 2 is a front elevational view thereof; FIG. 3 is a rear elevational view thereof; FIG. 4 is a left side view thereof; FIG. 5 is a right side view thereof; FIG. 6 is a top view thereof; and, FIG. 7 is a bottom view thereof.

(51) **LOC (7) Cl.** **10-02**

(52) **U.S. Cl.** **D10/30**

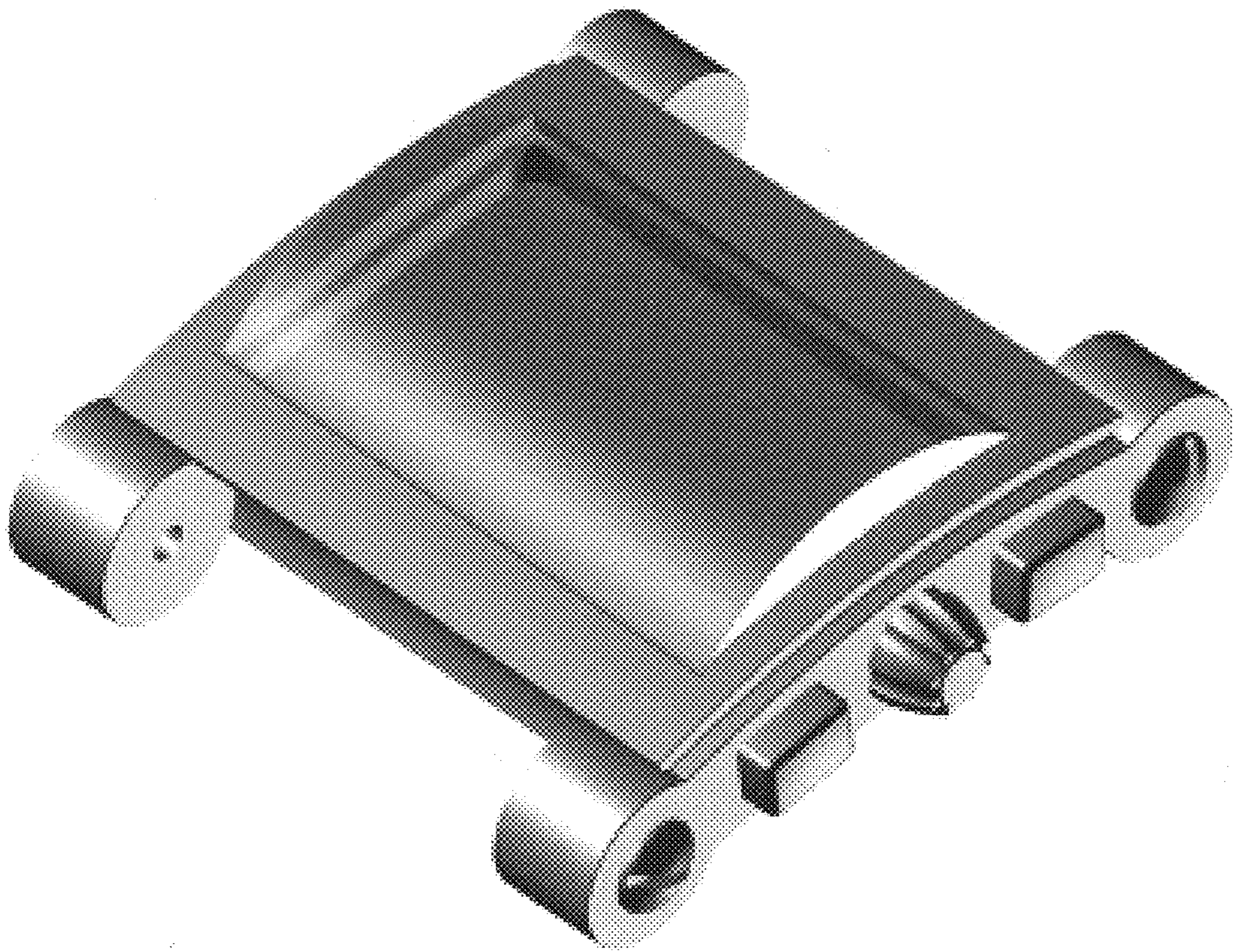
(58) **Field of Search** D10/30-39, 122-132;
368/281-282, 276-277, 285

(56) **References Cited**

U.S. PATENT DOCUMENTS

D431,783 S * 10/2000 Lassigne D10/32

1 Claim, 4 Drawing Sheets



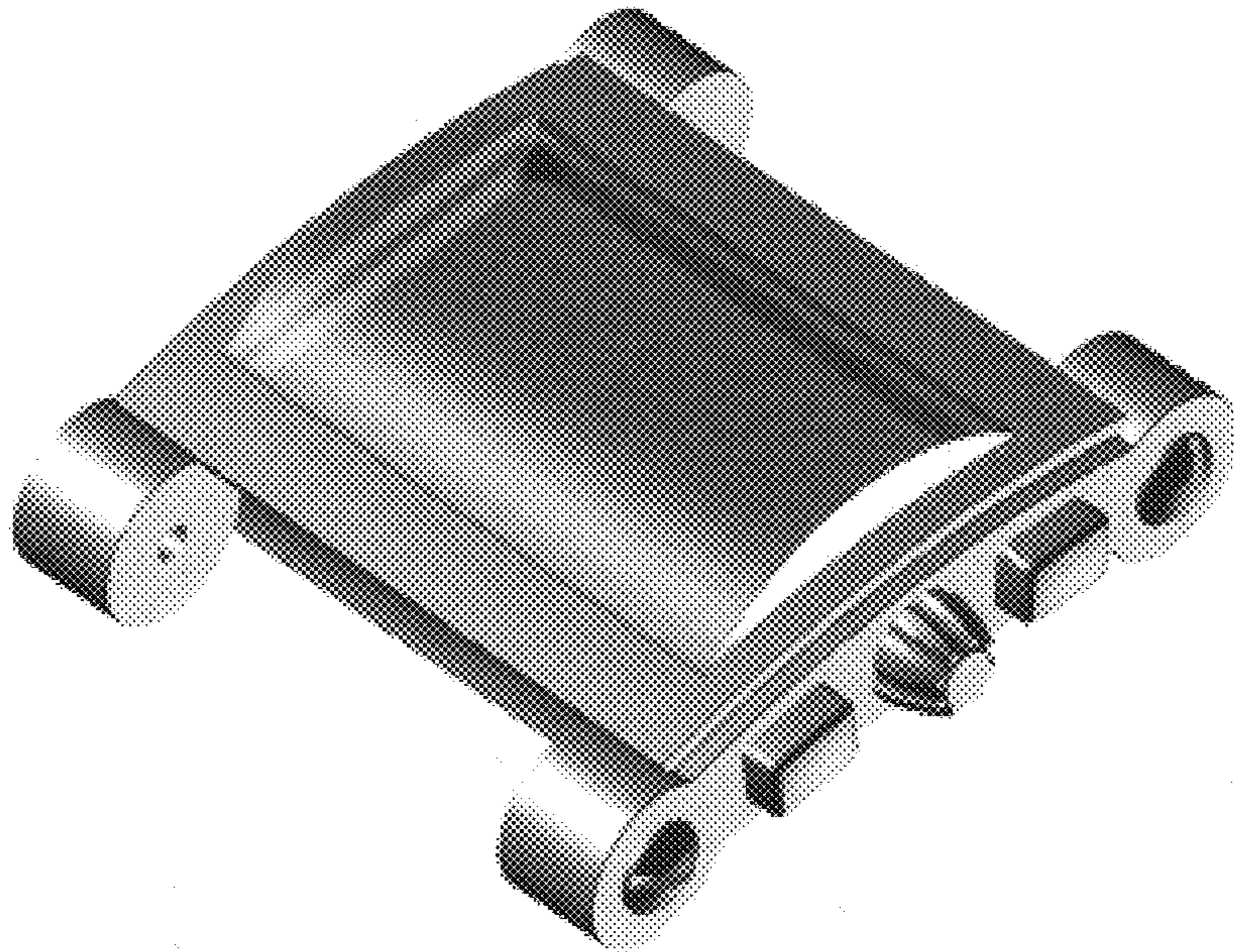


Fig. 1

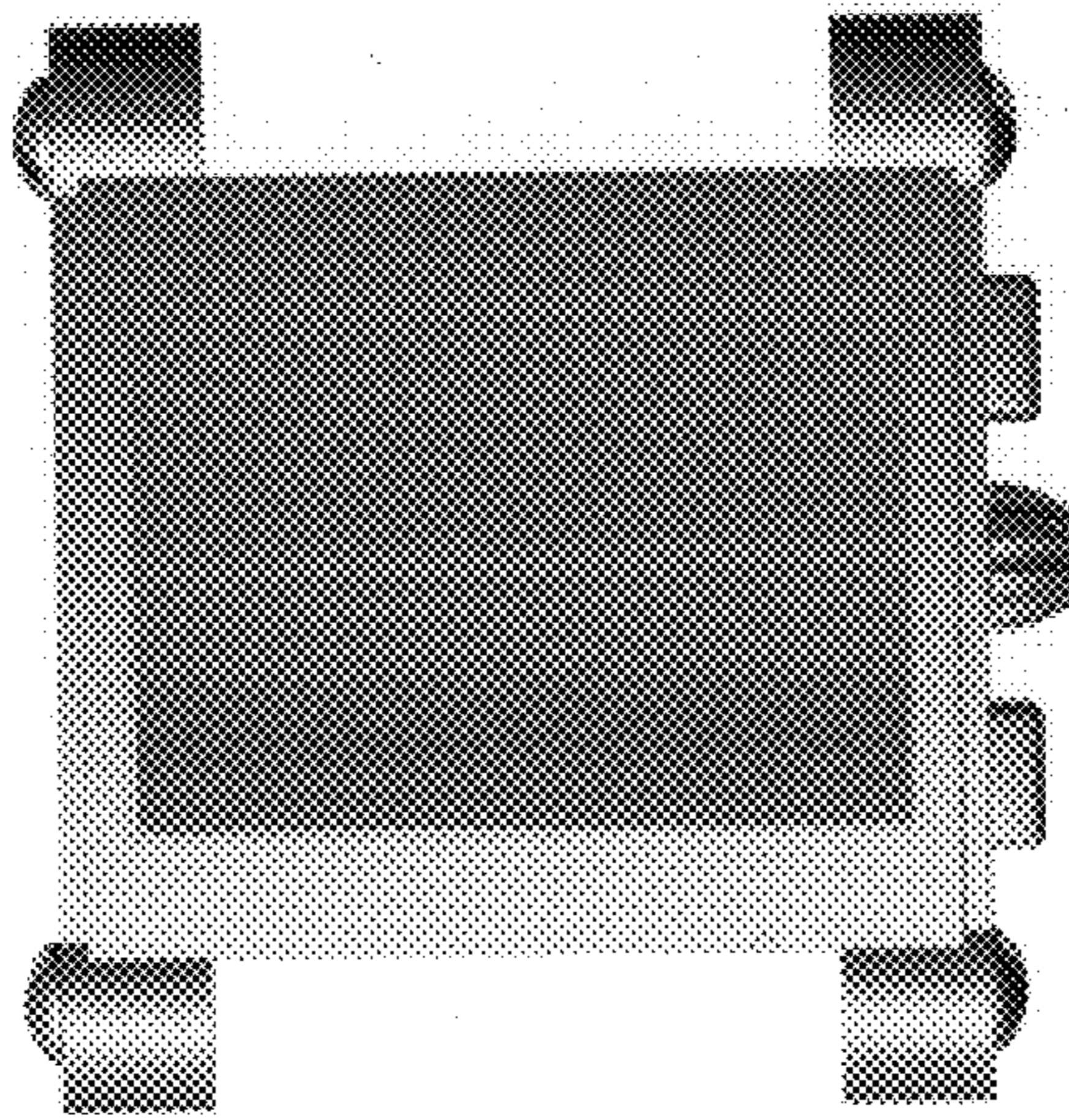


Fig. 2

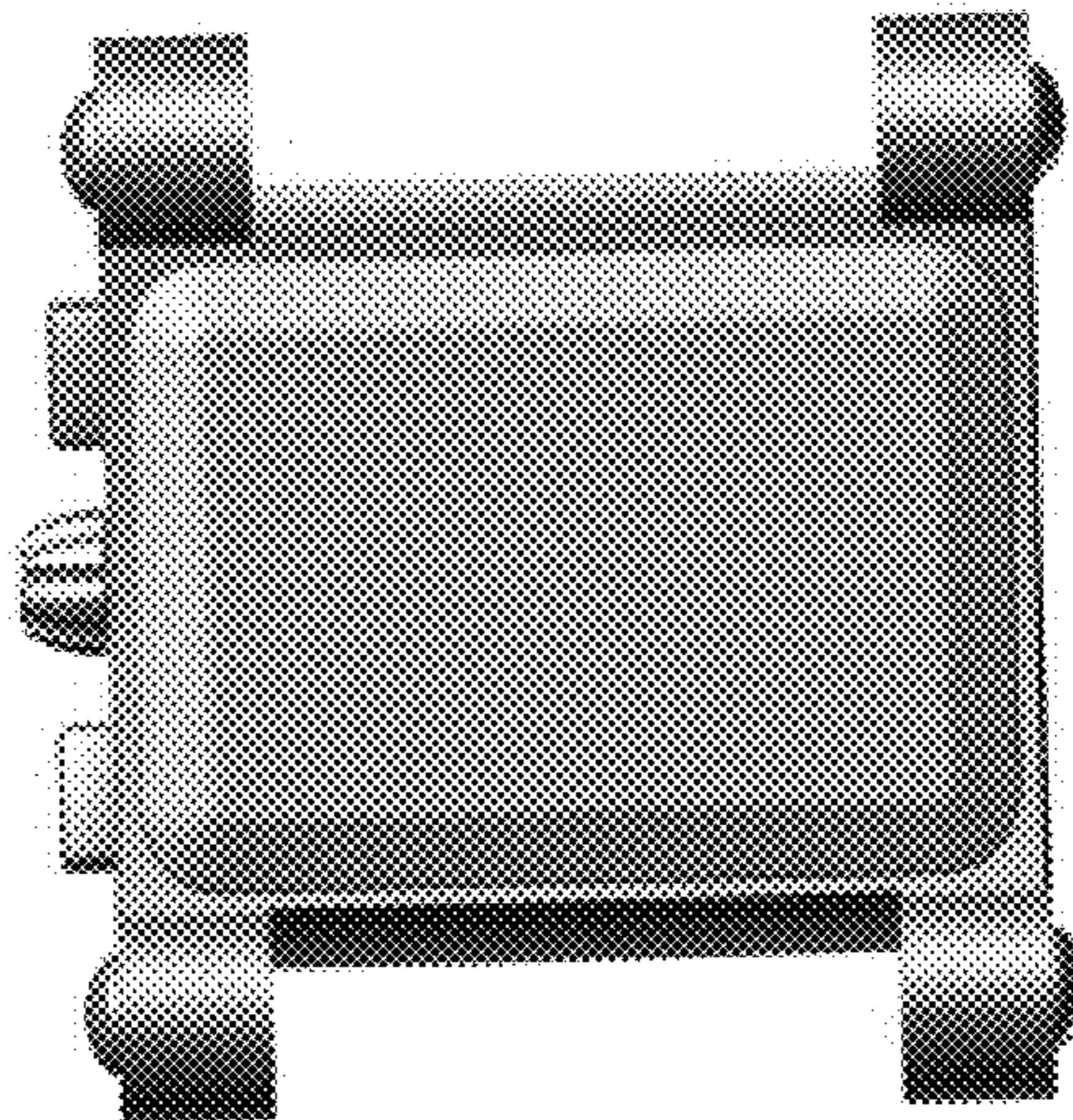


Fig. 3

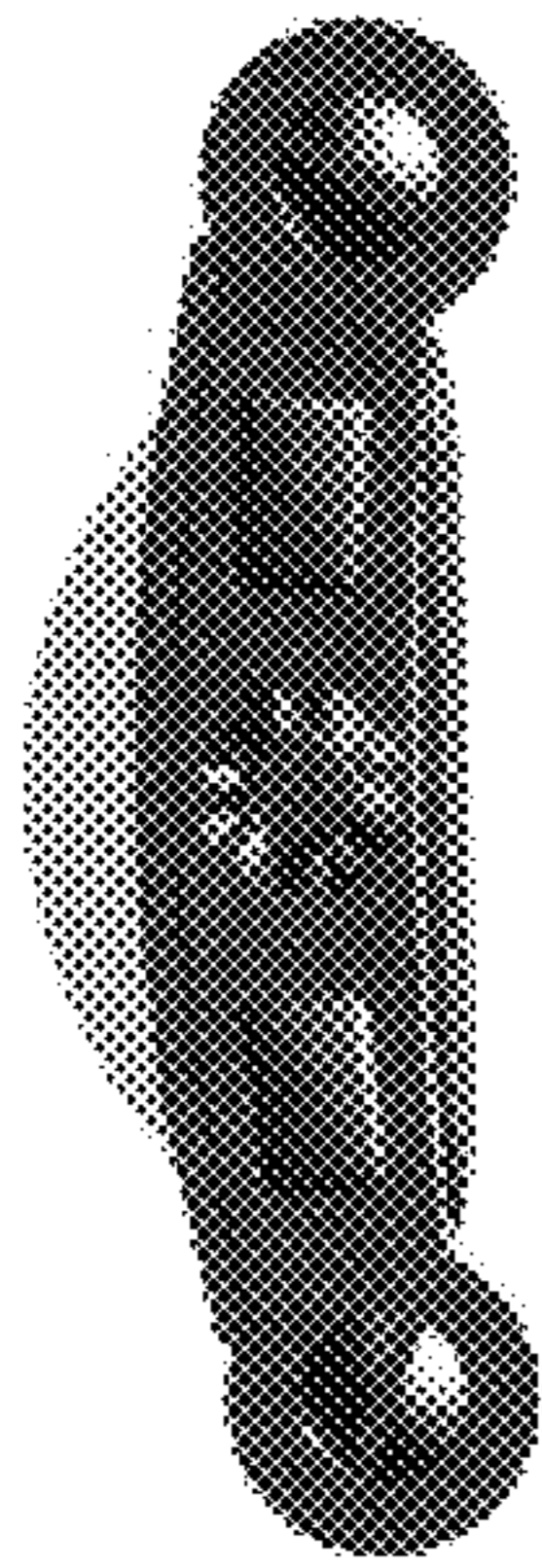


Fig. 4

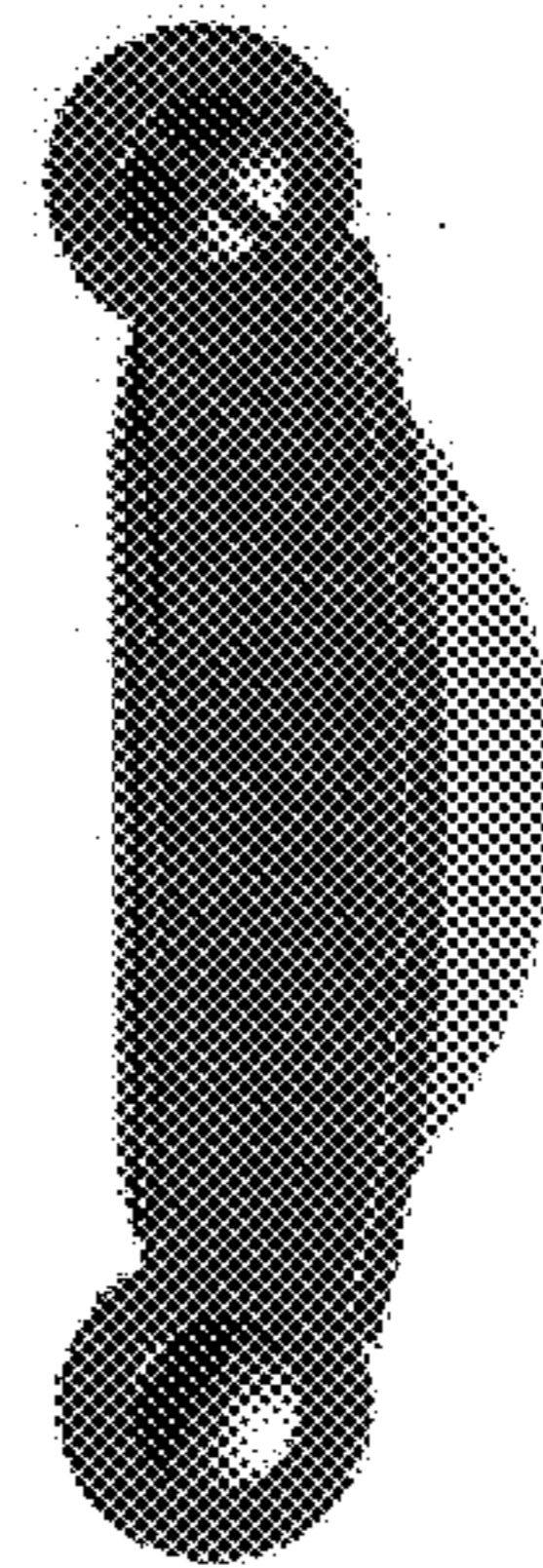


Fig. 5

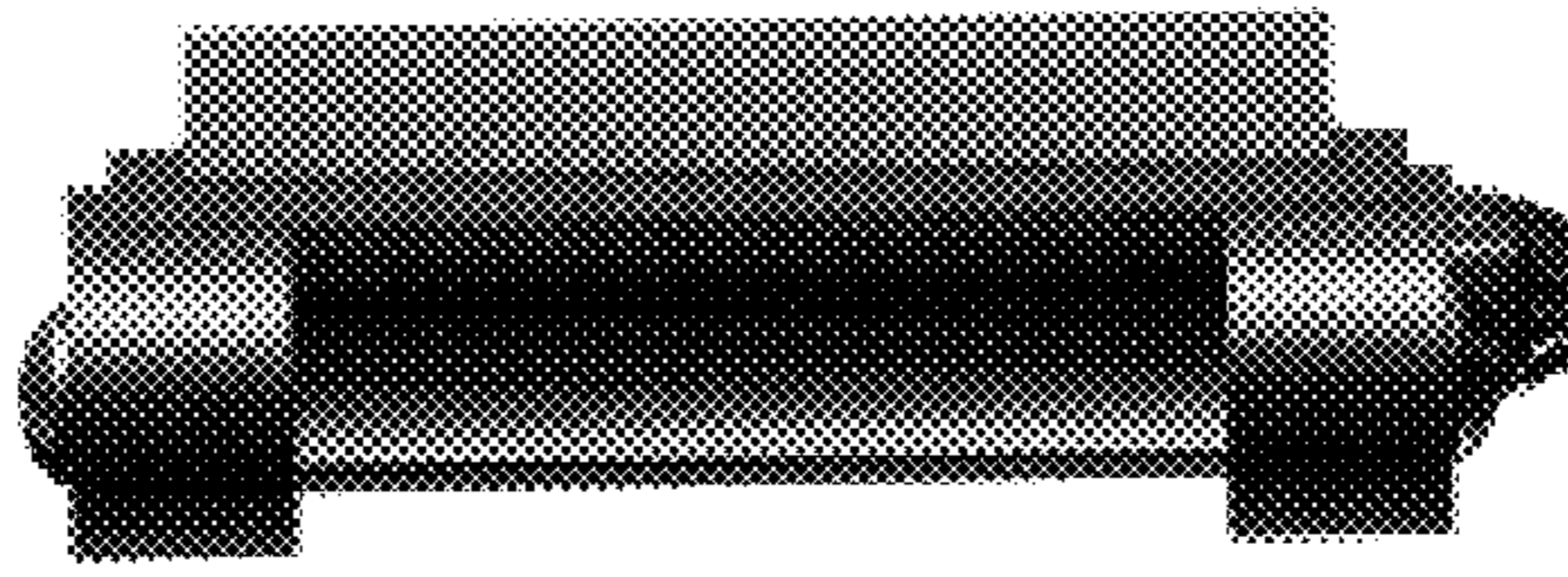


Fig. 6

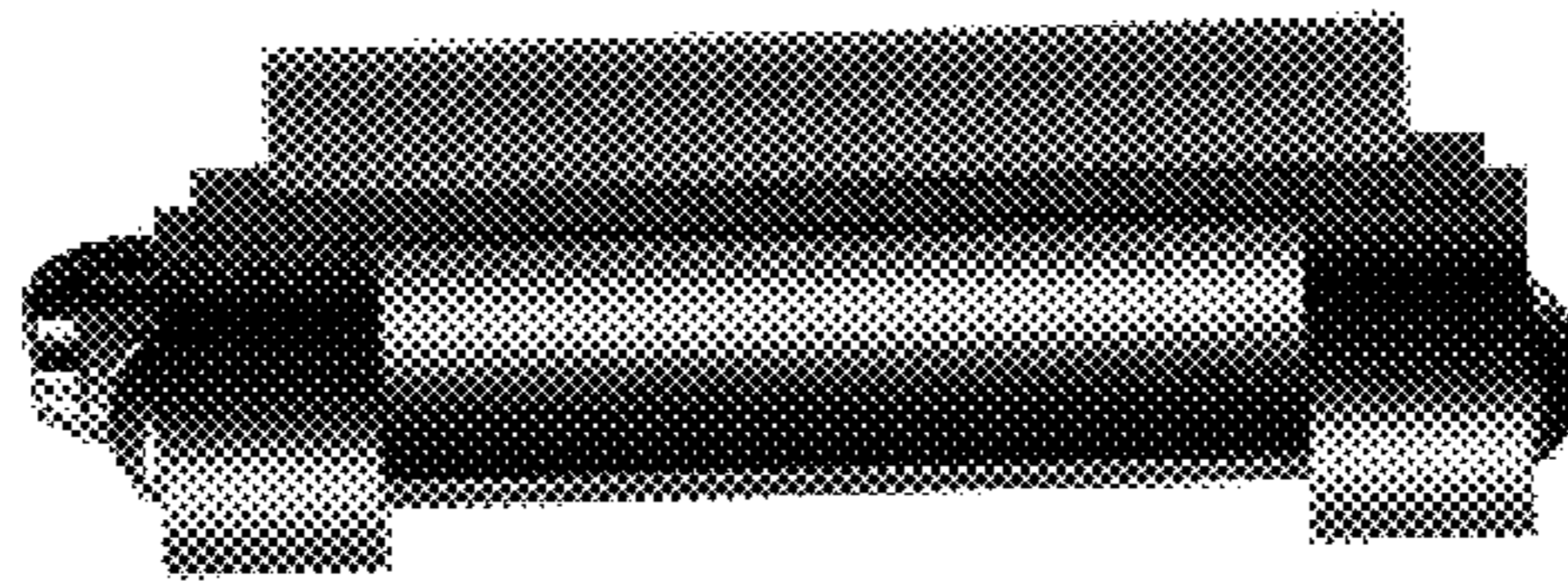


Fig. 7