



US00D453472S

(12) **United States Design Patent**
Kwong

(10) **Patent No.:** **US D453,472 S**

(45) **Date of Patent:** **** Feb. 12, 2002**

(54) **NOZZLE ATTACHMENT**

(76) Inventor: **Cheung Kwong**, Block A, 3/F, Tsing Yi Industrial Centre, Phase 1, Tsing Yi, N.T. (HK)

(**) Term: **14 Years**

(21) Appl. No.: **29/116,715**

(22) Filed: **Jan. 7, 2000**

(51) **LOC (7) Cl.** **09-07**

(52) **U.S. Cl.** **D9/447**

(58) **Field of Search** D9/434, 435, 447, D9/454; 222/541.2, 325, 566-575

(56) **References Cited**

U.S. PATENT DOCUMENTS

884,761 A * 4/1908 Richard 222/568
D102,741 S * 1/1937 Bloomfield D9/447

3,093,274 A * 6/1963 Galbierz 222/566 X
D274,696 S * 7/1984 Marsden D9/447 X
D278,034 S * 3/1985 Cafiero et al. D9/454 X
D281,582 S * 12/1985 Borkan et al. D9/454 X

* cited by examiner

Primary Examiner—Dominic Simone

(74) *Attorney, Agent, or Firm*—James E. Brunton

(57) **CLAIM**

The ornamental design for “nozzle attachment”, as shown.

DESCRIPTION

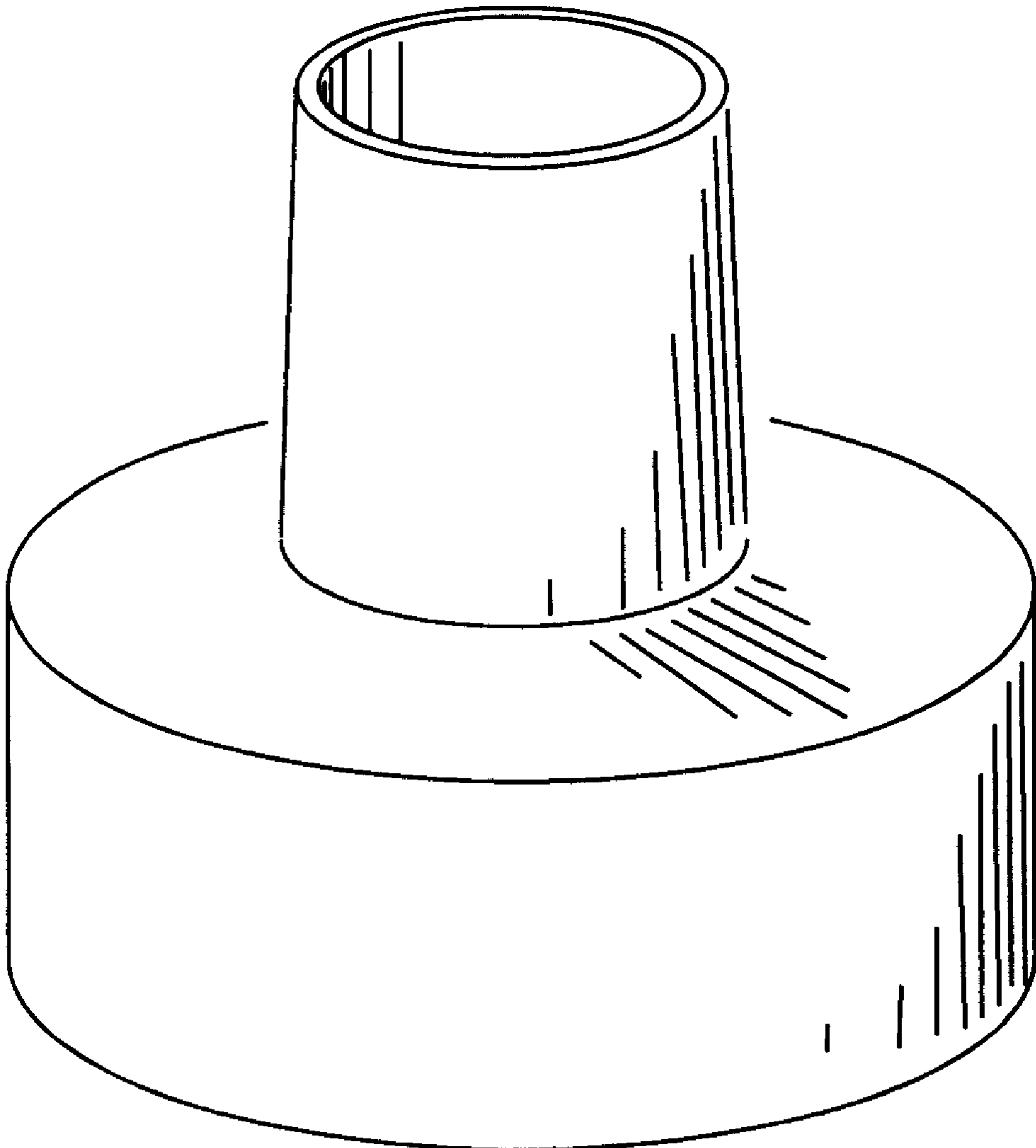
FIG. 1 is a perspective view of an nozzle showing my new design;

FIG. 2 is a front view thereof;

FIG. 3 is a top view thereof; and,

FIG. 4 is a bottom plan view thereof.

1 Claim, 1 Drawing Sheet



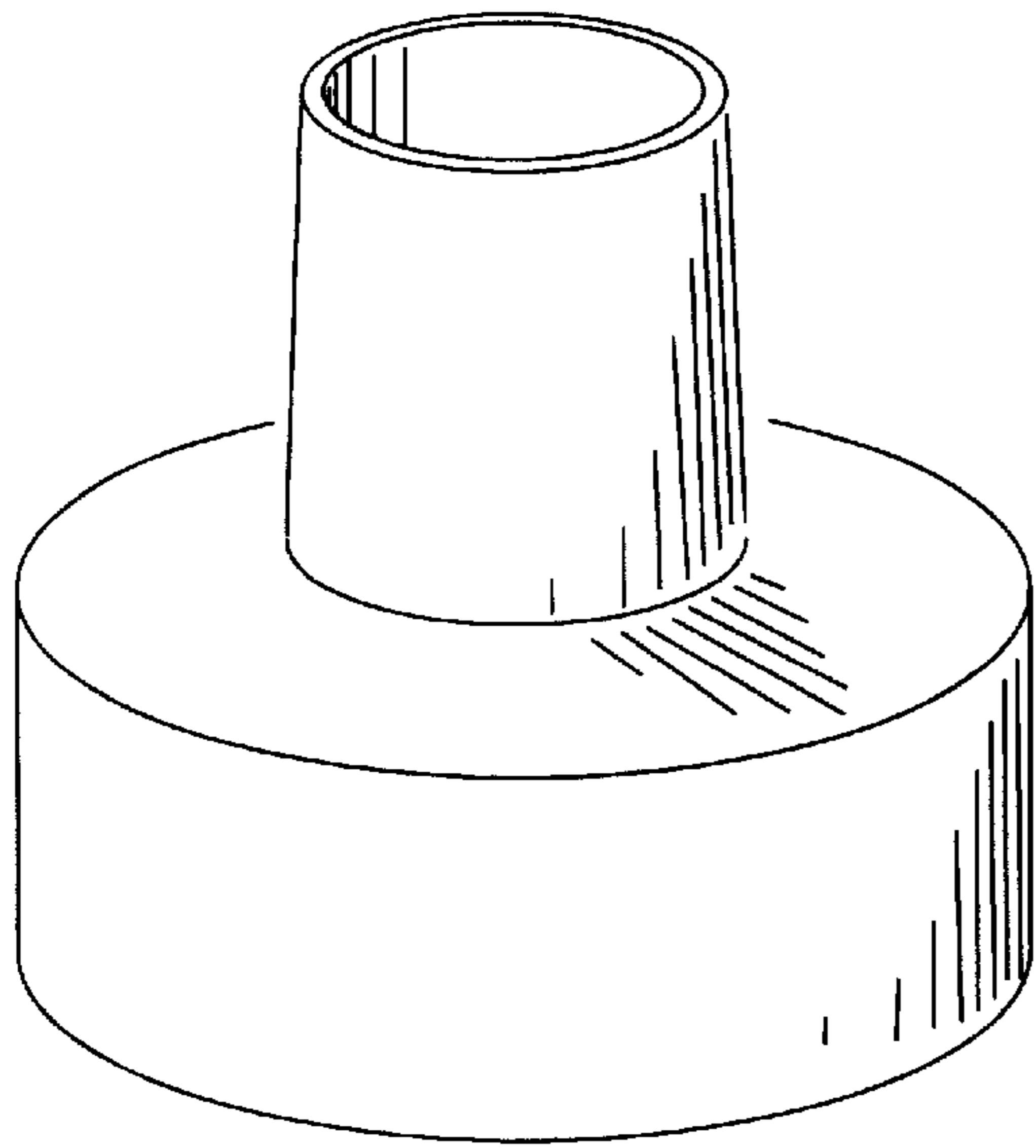


Figure 1

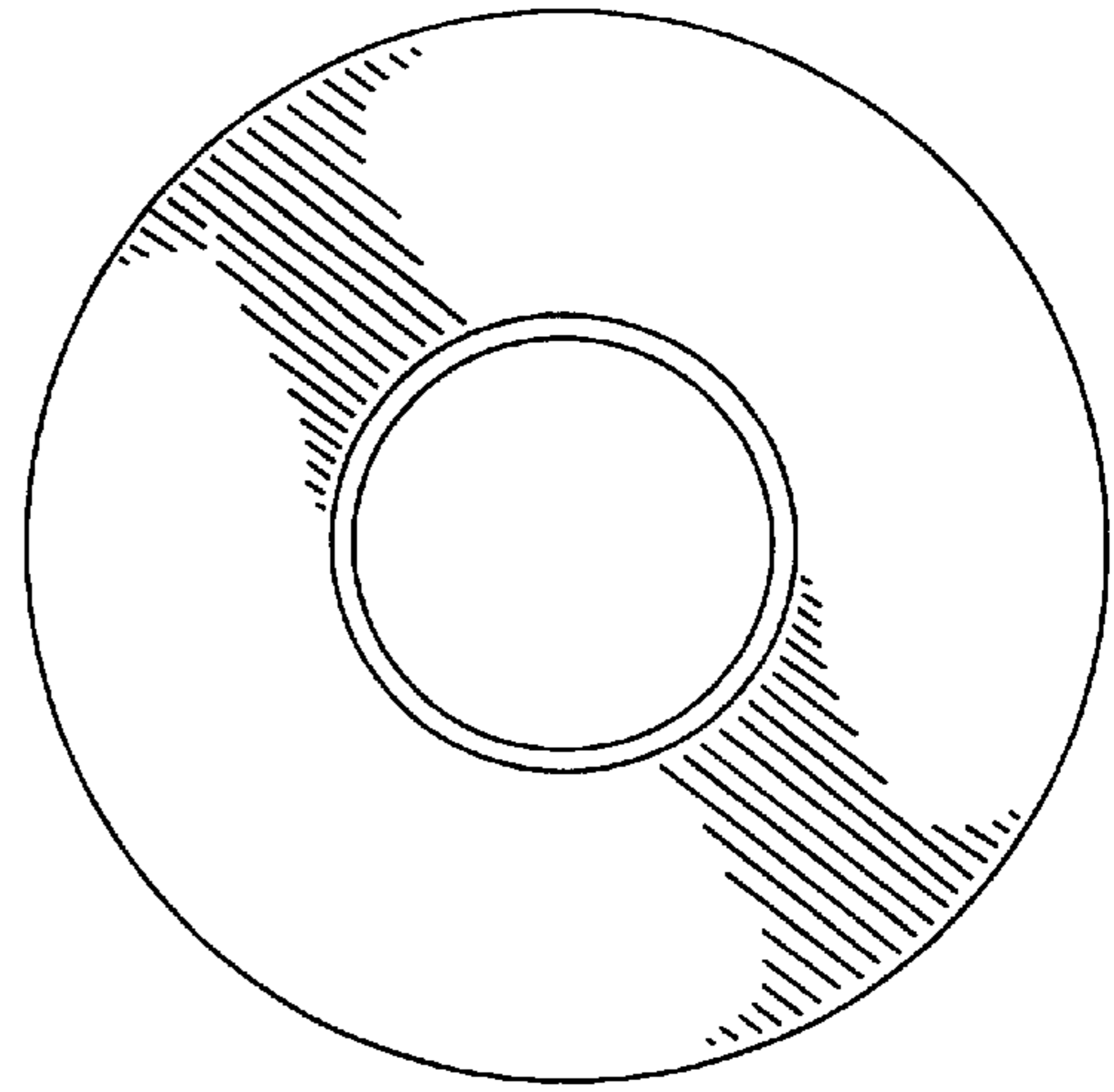


Figure 3

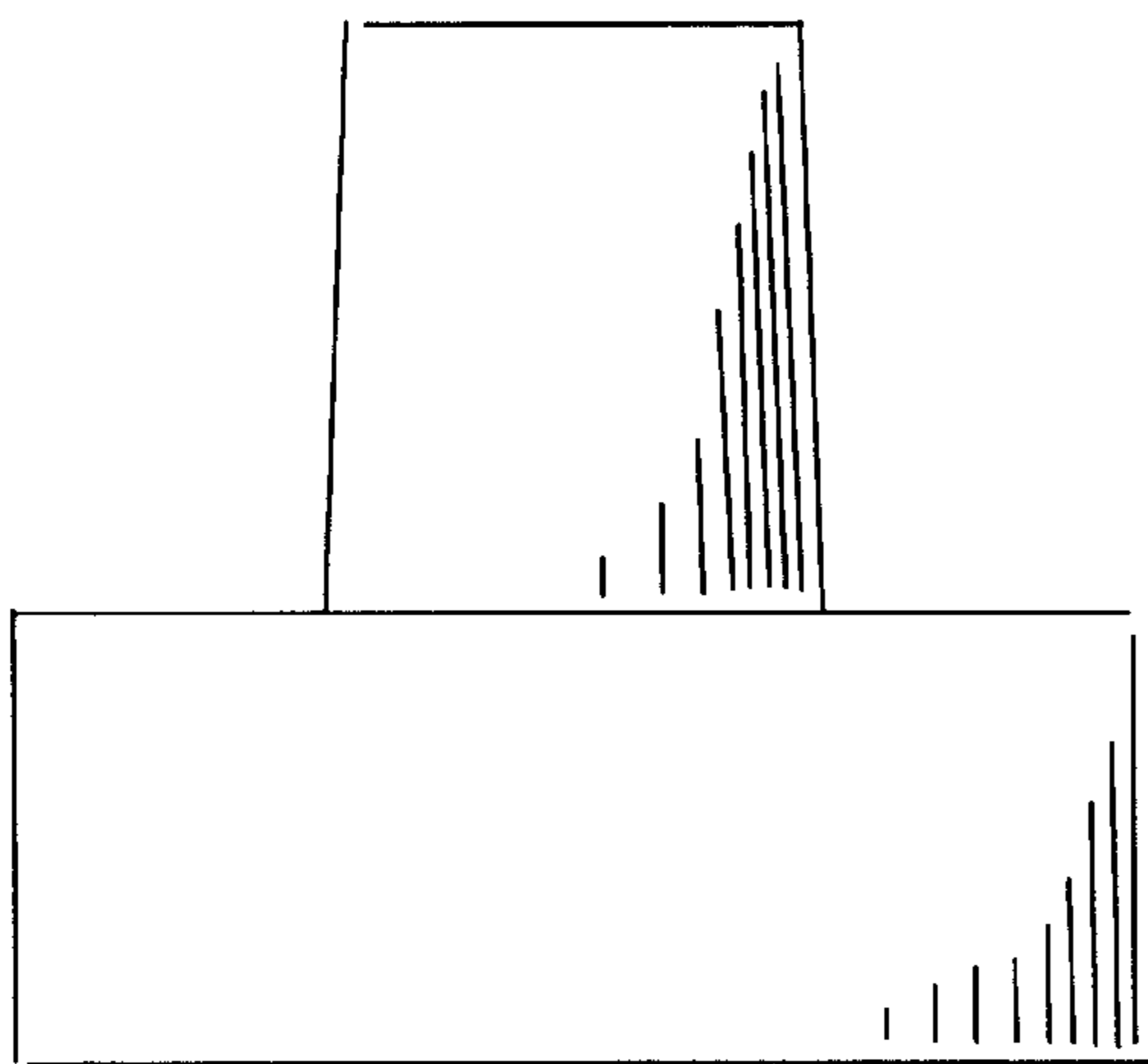


Figure 2

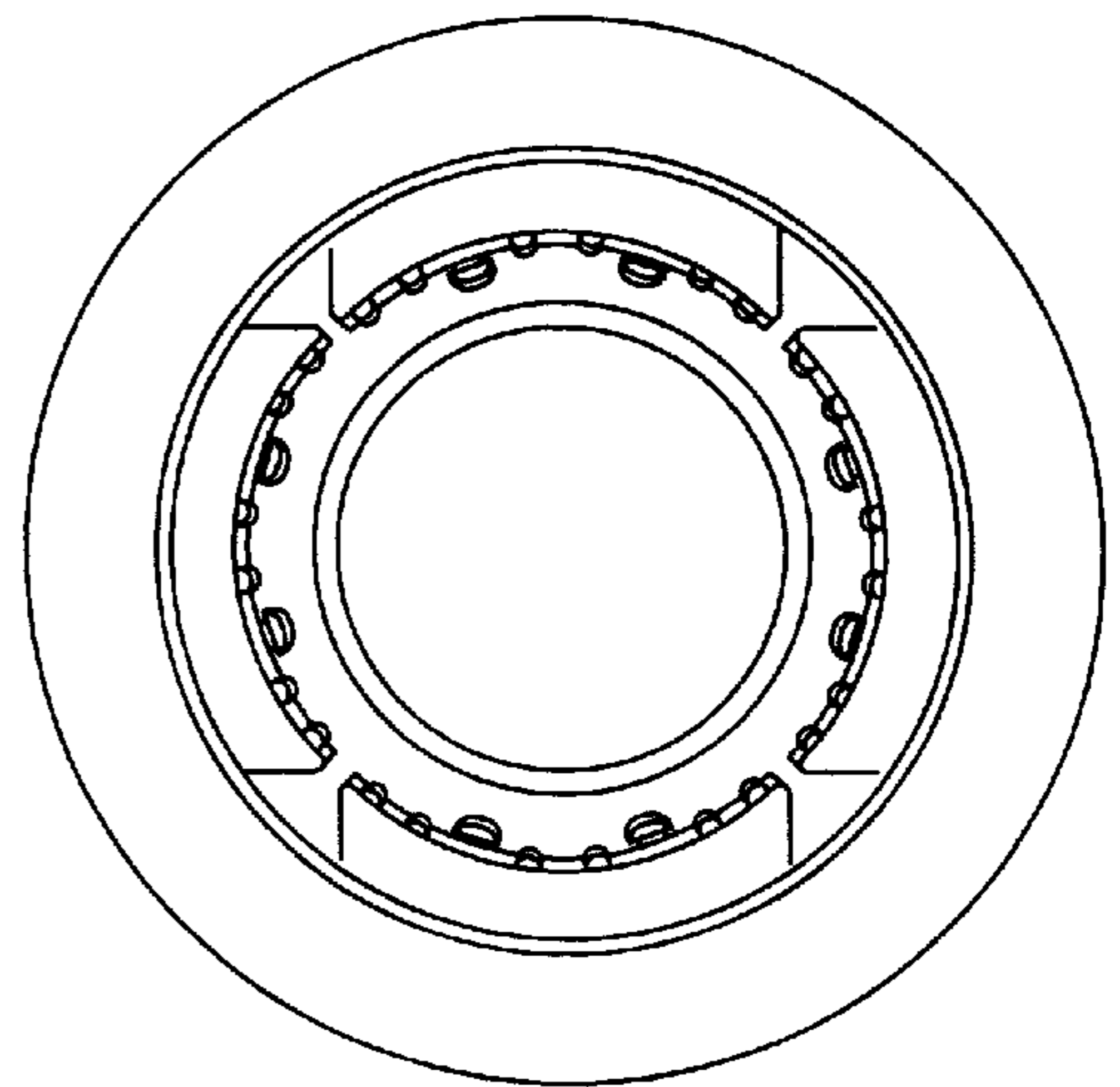


Figure 4