



US00D453470S

(12) **United States Design Patent**
Prasad

(10) **Patent No.:** **US D453,470 S**

(45) **Date of Patent:** **** Feb. 12, 2002**

(54) **ADJUSTABLE DOOR BARRICADE**

5,988,710 A 11/1999 Kortschot et al.

(76) Inventor: **Rajesh Prasad**, 8222 La Almendra Way, Sacramento, CA (US) 95823

* cited by examiner

Primary Examiner—Jennifer Rivard

(**) Term: **14 Years**

(57) **CLAIM**

(21) Appl. No.: **29/145,329**

The ornamental design for a adjustable door barricade, as shown and described.

(22) Filed: **Jul. 20, 2001**

(51) **LOC (7) Cl.** **08-99**

(52) **U.S. Cl.** **D8/402**

(58) **Field of Search** 292/338, 339,
292/342, 343; 16/82, 85, 86 A, 86 R, DIG. 17;
D8/402

DESCRIPTION

FIG. 1 is a front elevational view of the adjustable door barricade of the present invention;
FIG. 2 is a rear elevational view of the adjustable door barricade of FIG. 1;
FIG. 3 is a left side elevational view of the adjustable door barricade of FIG. 1, the right view being a mirror image thereof;
FIG. 4 is a top plan view of the adjustable door barricade of FIG. 1;
FIG. 5 is a bottom plan view of the adjustable door barricade of FIG. 1; and,
FIG. 6 is a top, front, right side perspective view of the adjustable door barricade in an alternate position.

(56) **References Cited**

U.S. PATENT DOCUMENTS

4,036,518 A	7/1977	Jost	
D255,212 S	6/1980	Weigand et al.	
4,300,796 A	11/1981	Lane	
4,456,291 A *	6/1984	Brogie	292/338
4,973,093 A	11/1990	Olszowka	
5,340,175 A	8/1994	Wood	
5,676,410 A *	10/1997	Angerbrandt	292/338
5,725,263 A *	3/1998	Rodriquez	292/338

1 Claim, 4 Drawing Sheets

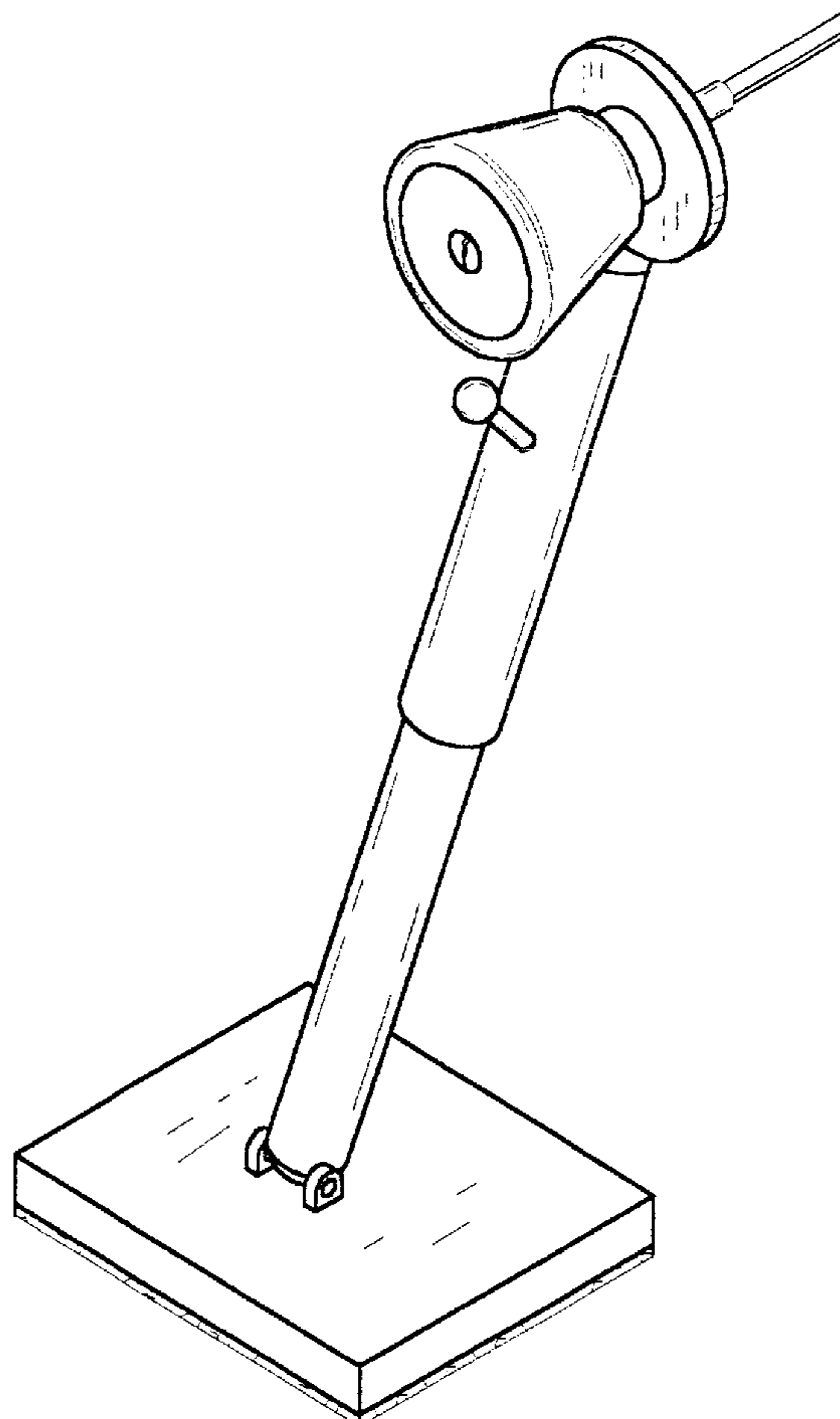


FIG. 2

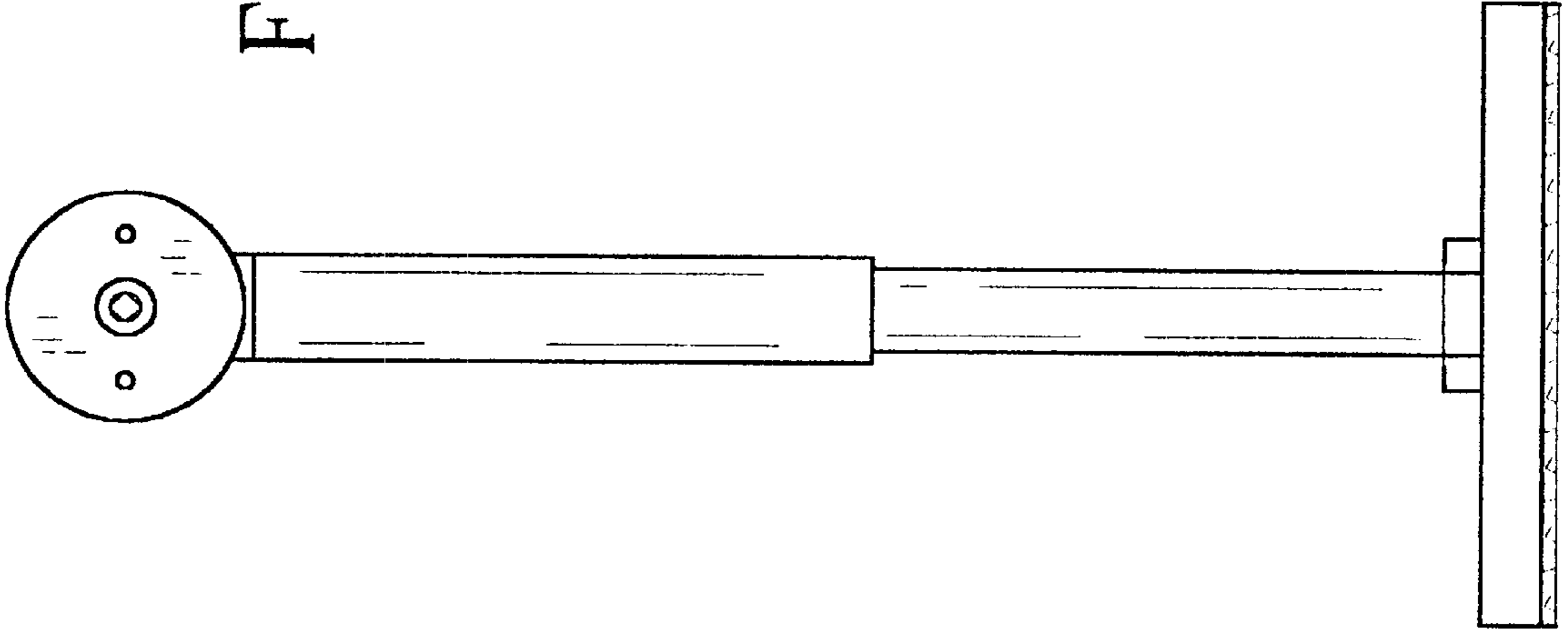


FIG. 1

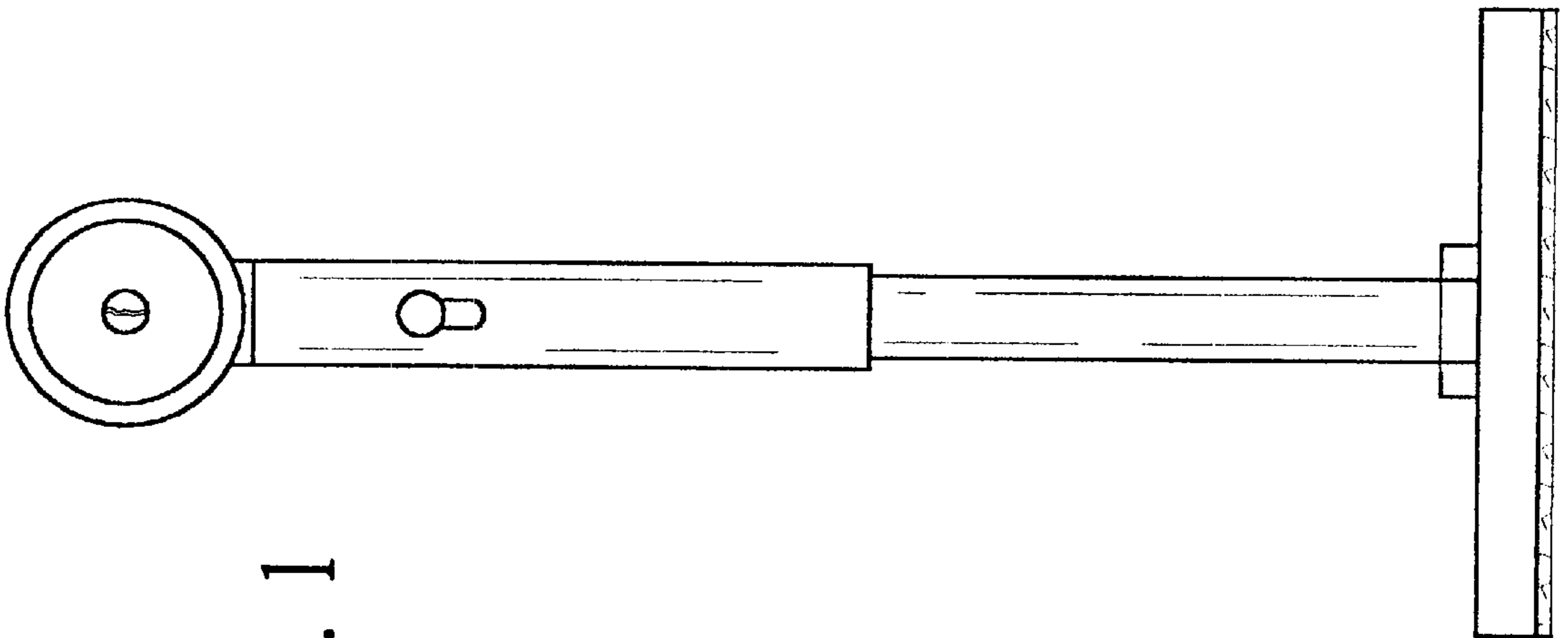


FIG. 4

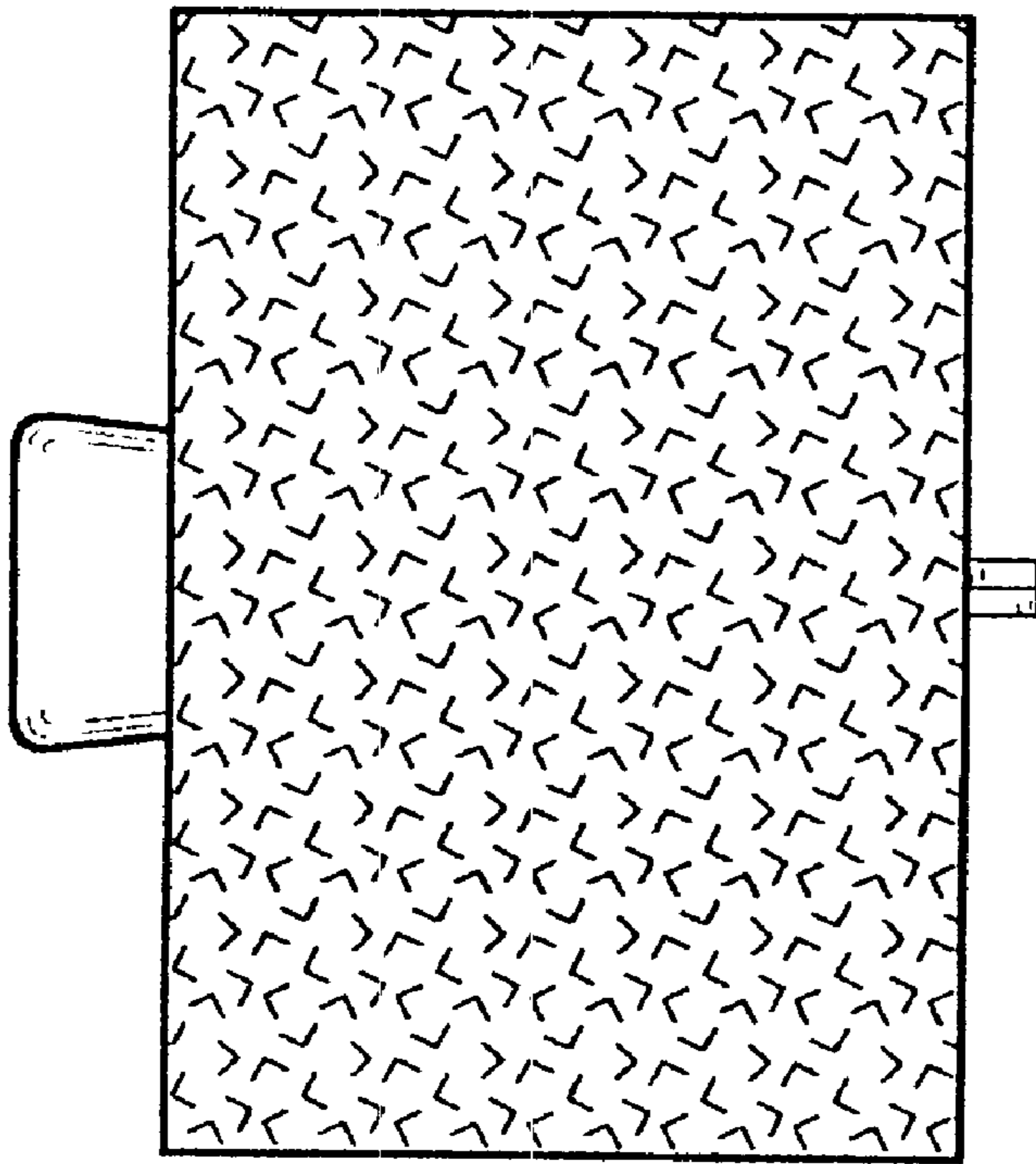
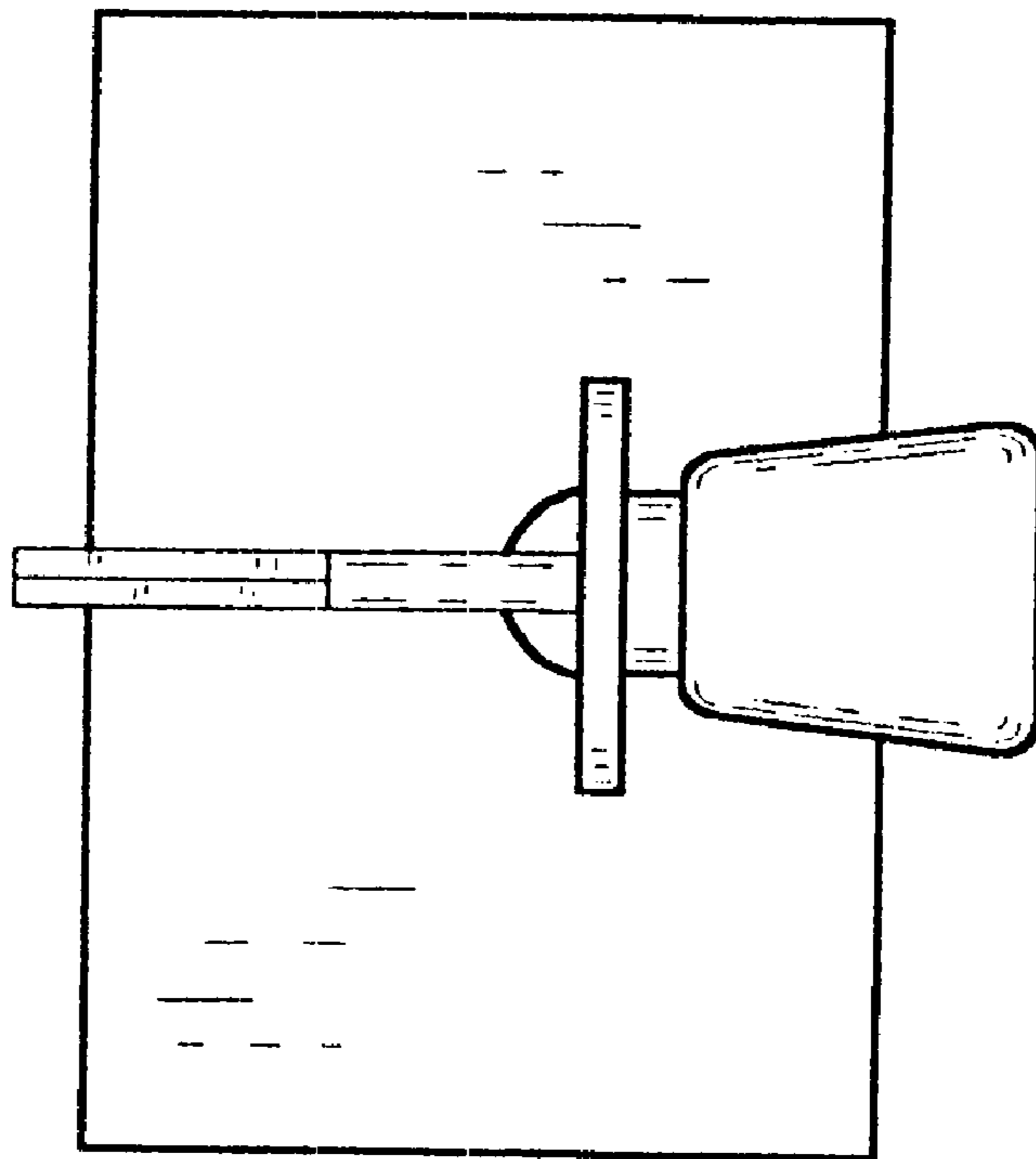


FIG. 5

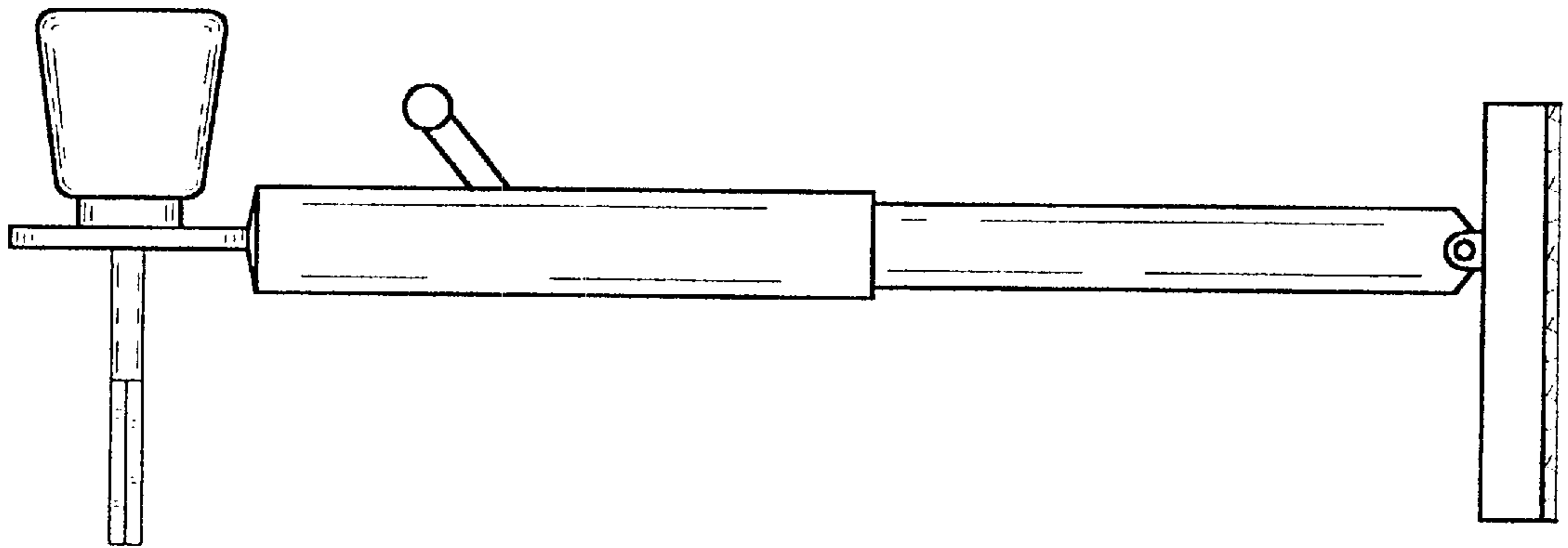


FIG. 3

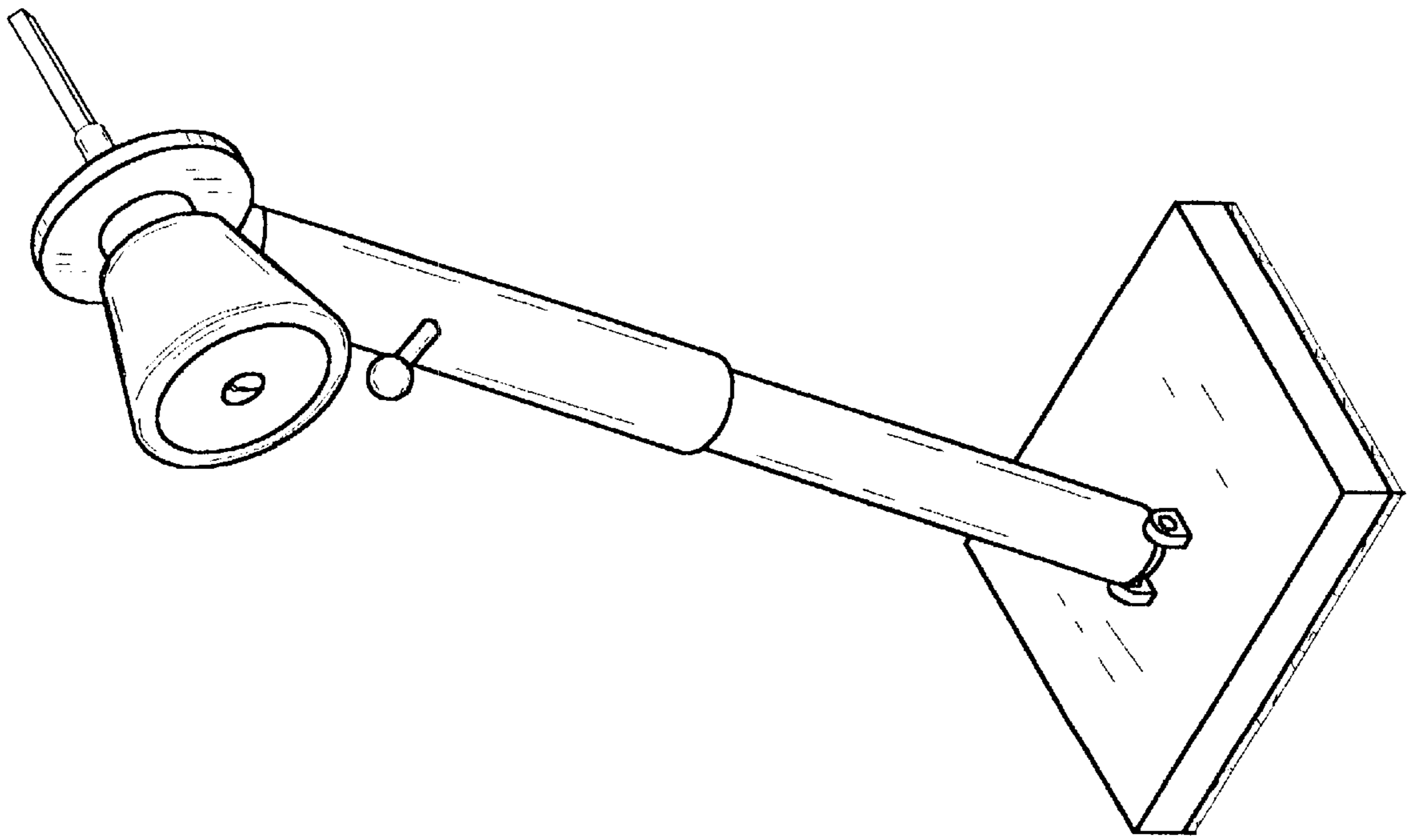


FIG. 6