



US00D453469S

(12) **United States Design Patent**
Pappas

(10) **Patent No.:** **US D453,469 S**

(45) **Date of Patent:** **** Feb. 12, 2002**

(54) **CABINET INSTALLER'S HELPER**

(76) Inventor: **Steve Pappas**, 40 Hearth Stone Dr.,
Cheshire, CT (US) 06410

(**) Term: **14 Years**

(21) Appl. No.: **29/130,466**

(22) Filed: **Oct. 3, 2000**

(51) **LOC (7) Cl.** **08-05**

(52) **U.S. Cl.** **D8/355**

(58) **Field of Search** D8/71-74, 355,
D8/354, 356, 359, 366, 394; 361/796, 788,
756; 248/229.1, 214, 316.4, 316.5, 230.4;
254/8 R; 414/10, 800; 187/244; 269/904,
43, 113, 114, 95, 247-253, 287, 221, 303,
291; 83/863

(56) **References Cited**

U.S. PATENT DOCUMENTS

4,741,628 A * 5/1988 Kinley 384/19

5,160,126 A * 11/1992 Atkinson 269/102

5,407,182 A * 4/1995 Hartley 269/43

5,873,569 A * 2/1999 Boyd et al. 269/43

* cited by examiner

Primary Examiner—Pamela Burgess

(57) **CLAIM**

The ornamental design for a cabinet installer's helper, as shown and described.

DESCRIPTION

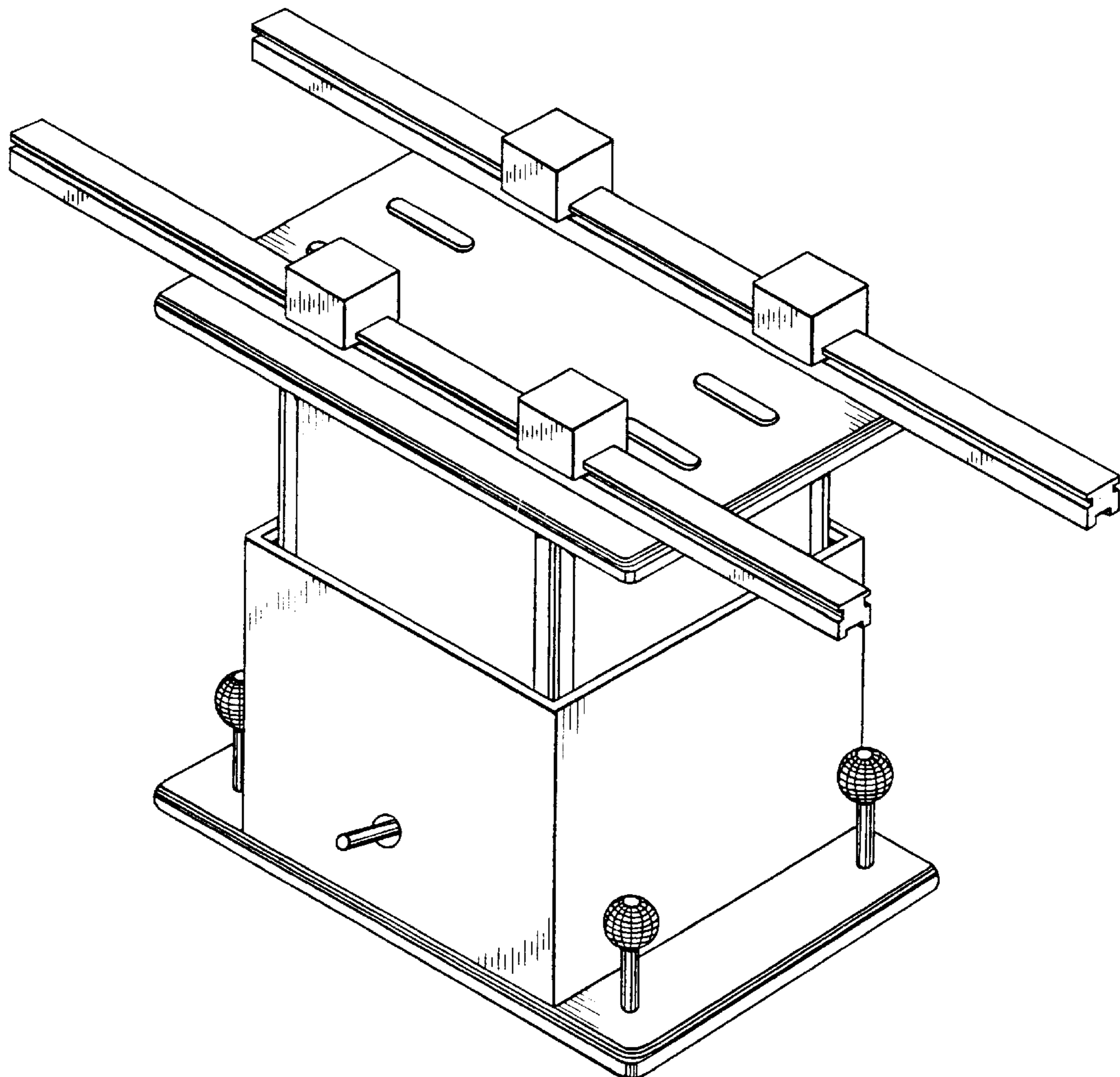
FIG. 1 is a top perspective view of the cabinet installer's helper according to the invention;

FIG. 2 is a top plan view of the cabinet installer's helper of FIG. 1;

FIG. 3 is a bottom plan view of the cabinet installer's helper of FIG. 1; and,

FIG. 4 is a right side view of the cabinet installer's helper of FIG. 1.

1 Claim, 3 Drawing Sheets



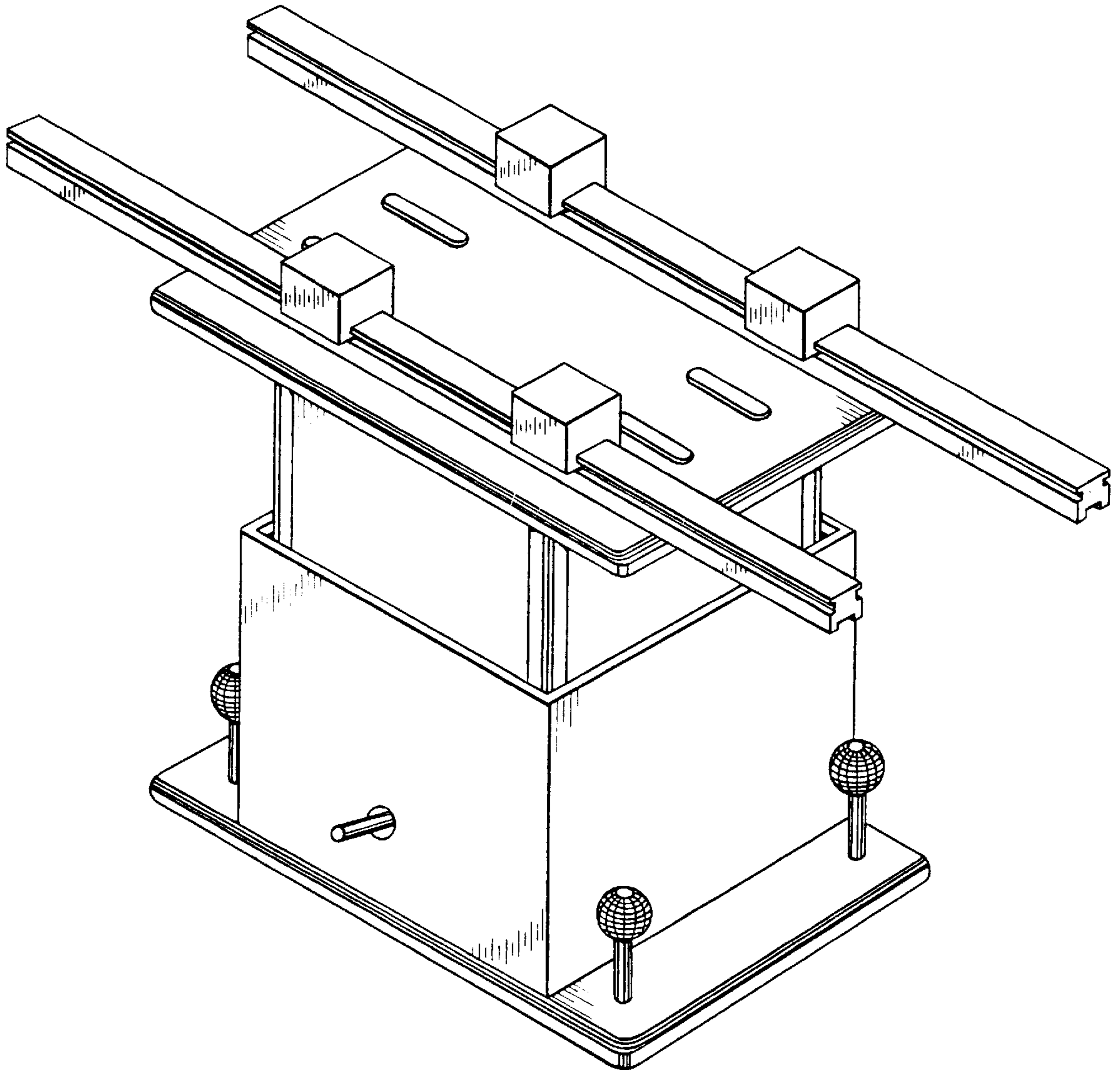


FIG. 1

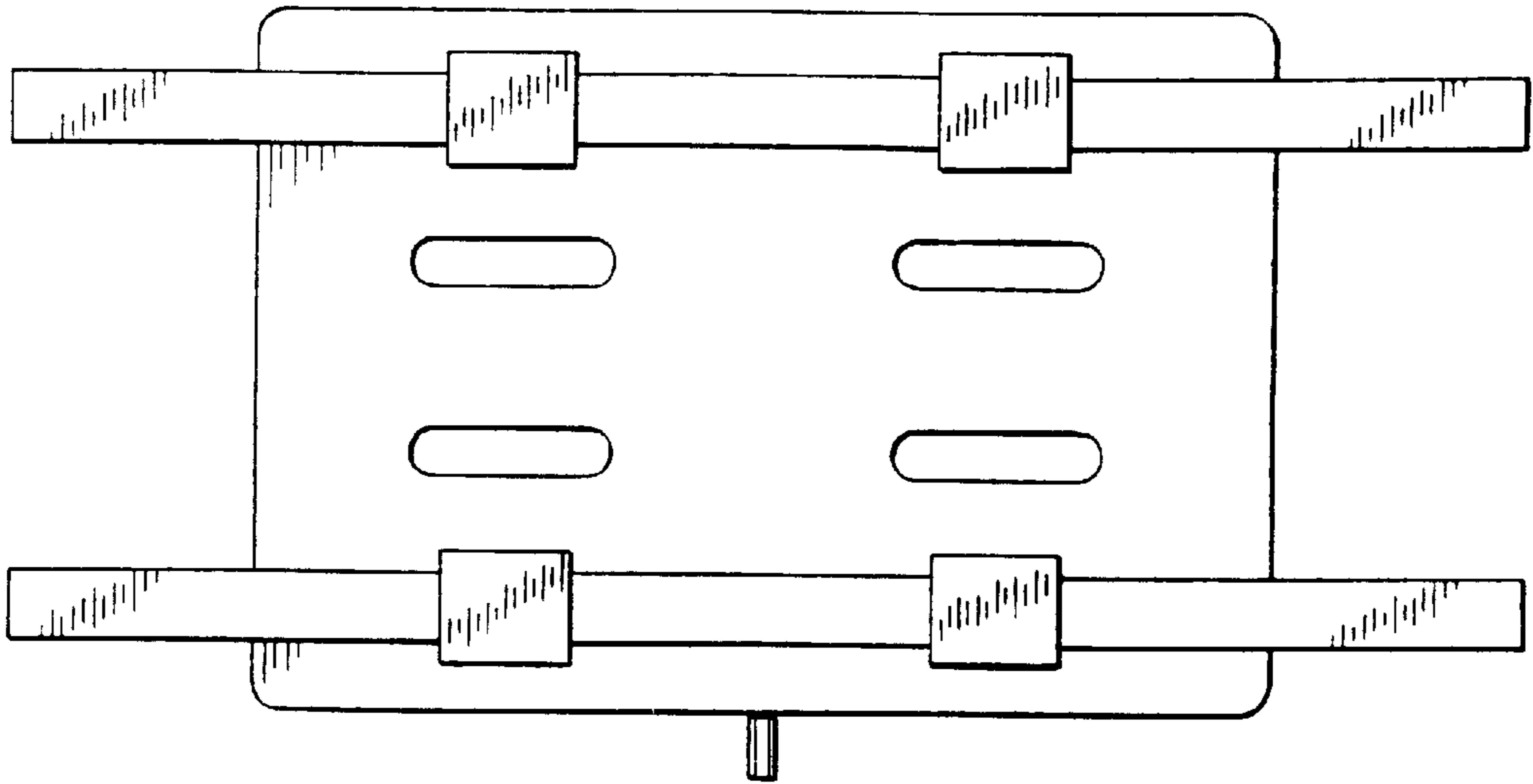


FIG. 2

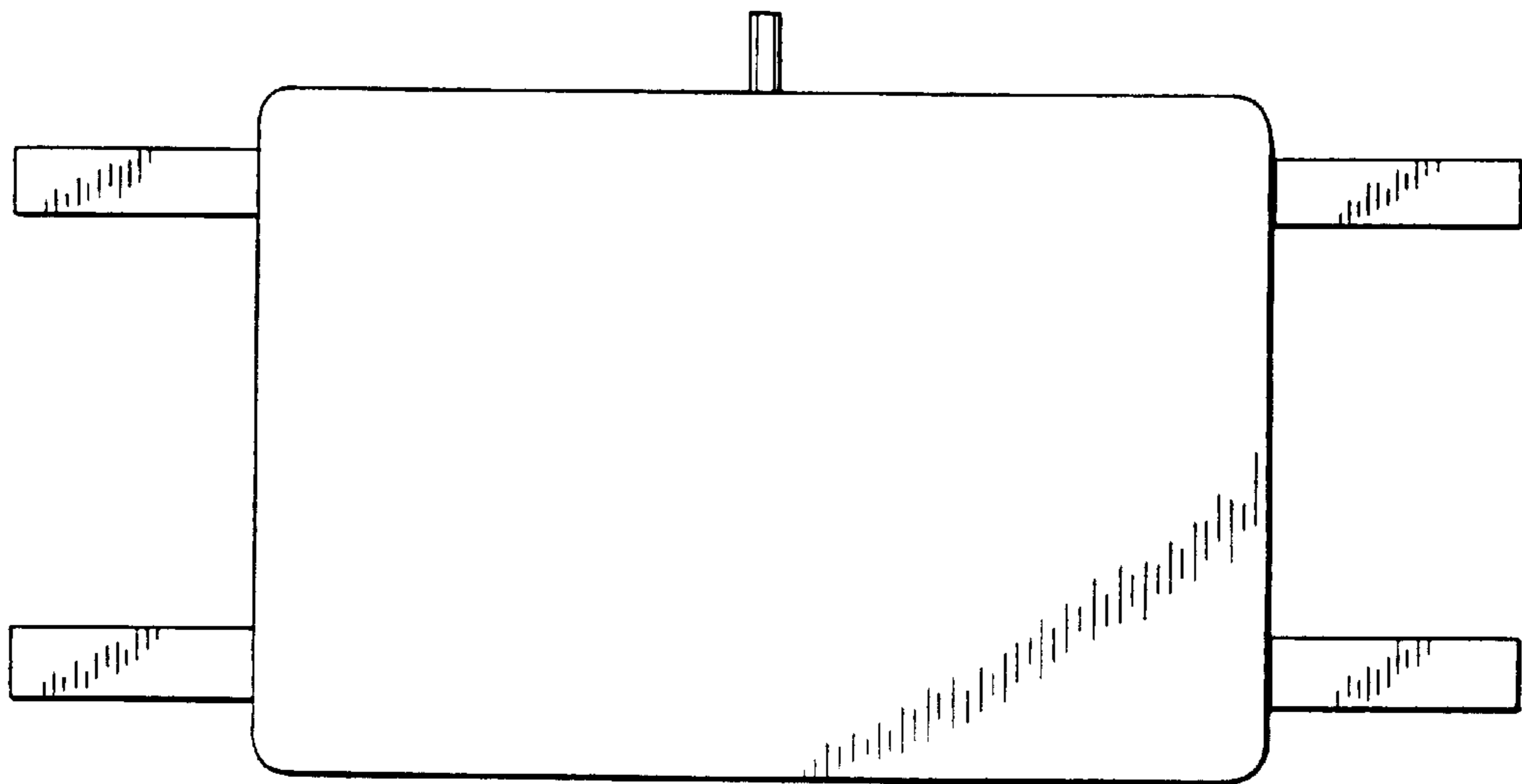


FIG. 3

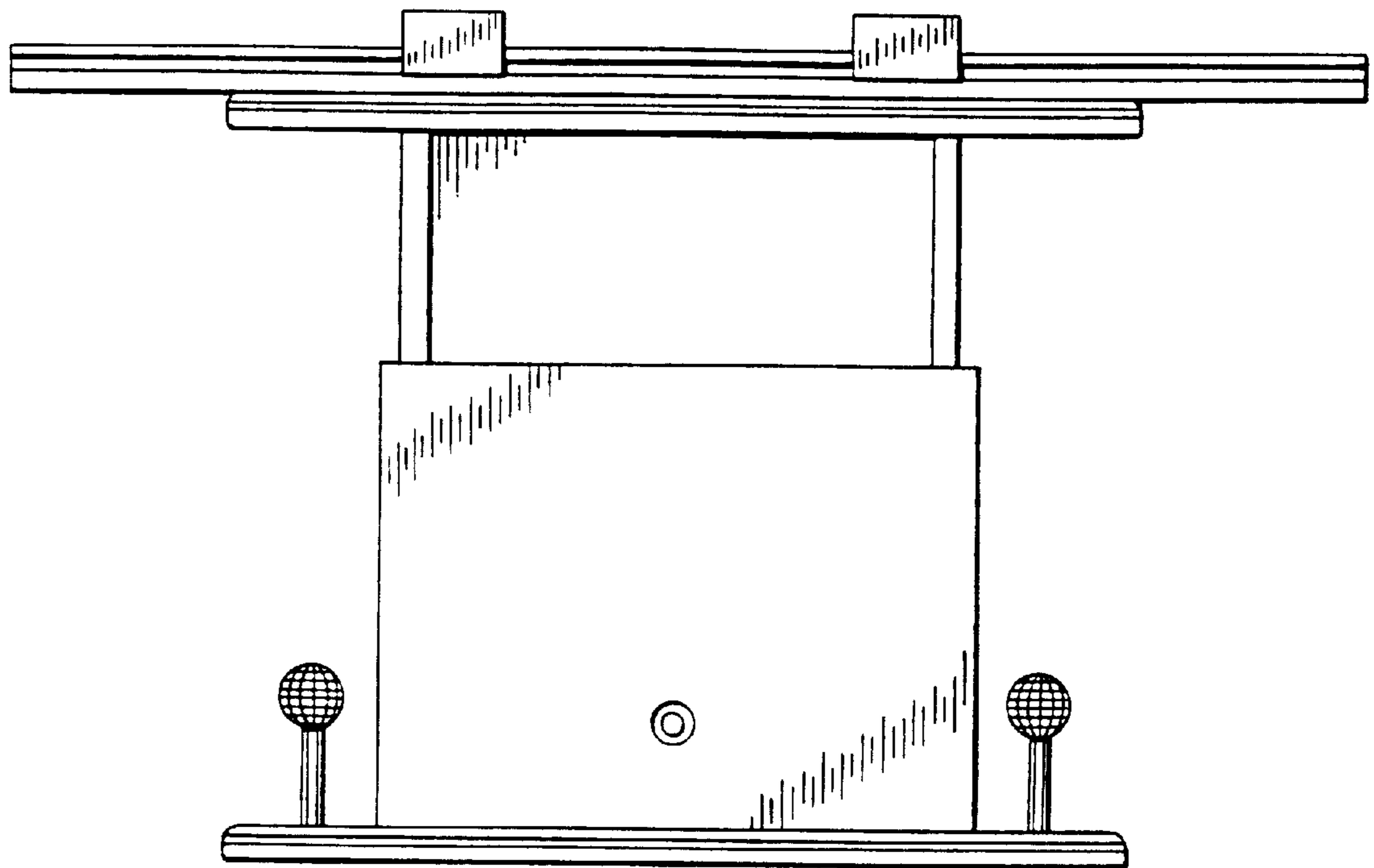


FIG. 4