



US00D453467S

(12) **United States Design Patent**
Nakamura

(10) **Patent No.:** **US D453,467 S**

(45) **Date of Patent:** **** Feb. 12, 2002**

(54) **COMBINATION PADLOCK**

D434,966 S * 12/2000 Ling D8/334

(75) Inventor: **Akitoshi Nakamura**, Tokyo (JP)

* cited by examiner

(73) Assignee: **Hinomoto Jomae**, Tokyo (JP)

Primary Examiner—Jennifer Rivard

(74) *Attorney, Agent, or Firm*—Rabin & Berdo, P.C.

(**) Term: **14 Years**

(57) **CLAIM**

(21) Appl. No.: **29/143,466**

The ornamental design for a combination padlock, as shown and described.

(22) Filed: **Jun. 15, 2001**

(51) **LOC (7) Cl.** **08-07**

(52) **U.S. Cl.** **D8/334**

(58) **Field of Search** 70/20, 21, 22,
70/24–29; D8/333–335

DESCRIPTION

FIG. 1 is a perspective view;
FIG. 2 is a front elevational view;
FIG. 3 is a top plan view;
FIG. 4 is a bottom plan view;
FIG. 5 is a right side elevational view;
FIG. 6 is a rear elevational view; and,
FIG. 7 is a left side elevational view.

(56) **References Cited**

U.S. PATENT DOCUMENTS

- 3,808,848 A * 5/1974 Yang 70/21
- 6,035,672 A * 3/2000 Lai 70/25
- D434,635 S * 12/2000 Ruan D8/334

1 Claim, 2 Drawing Sheets

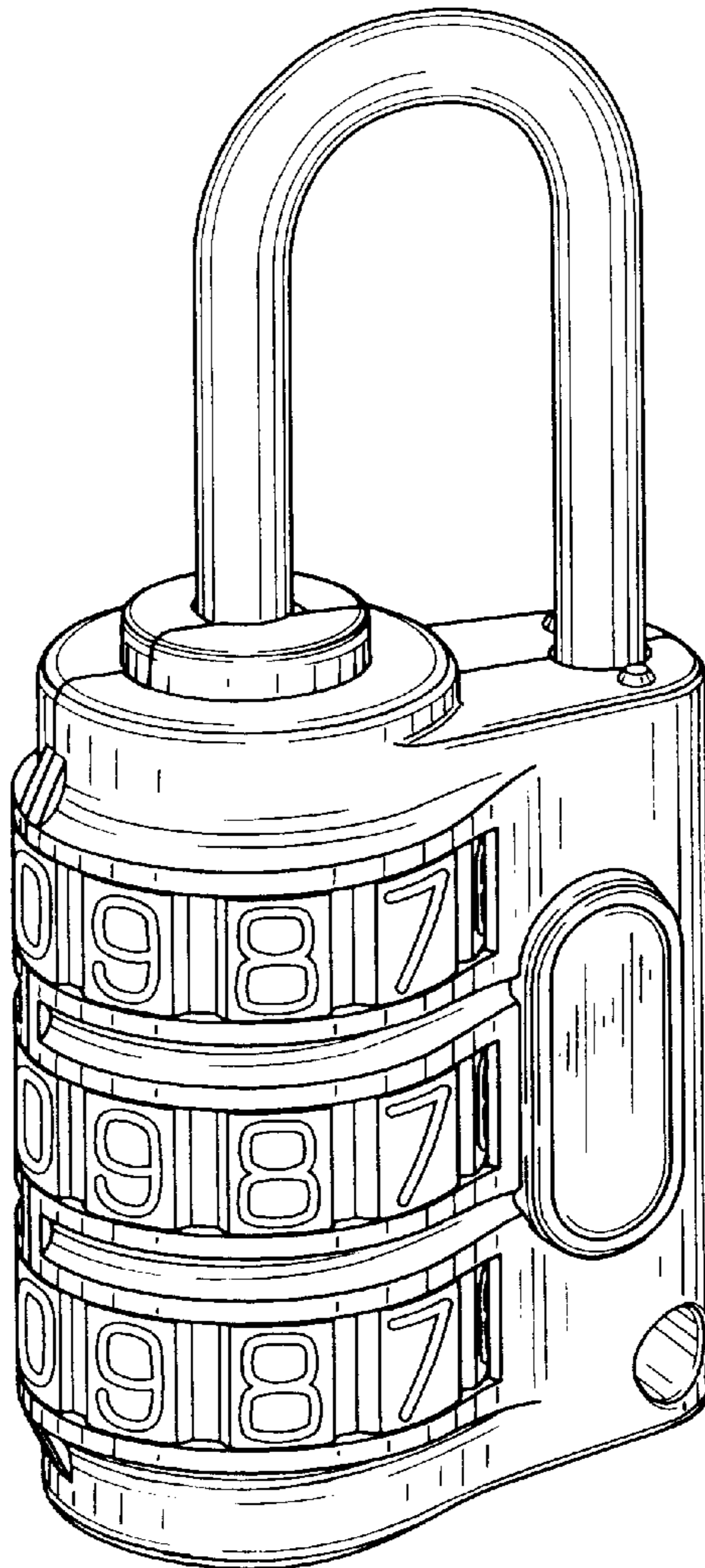


FIG. 1

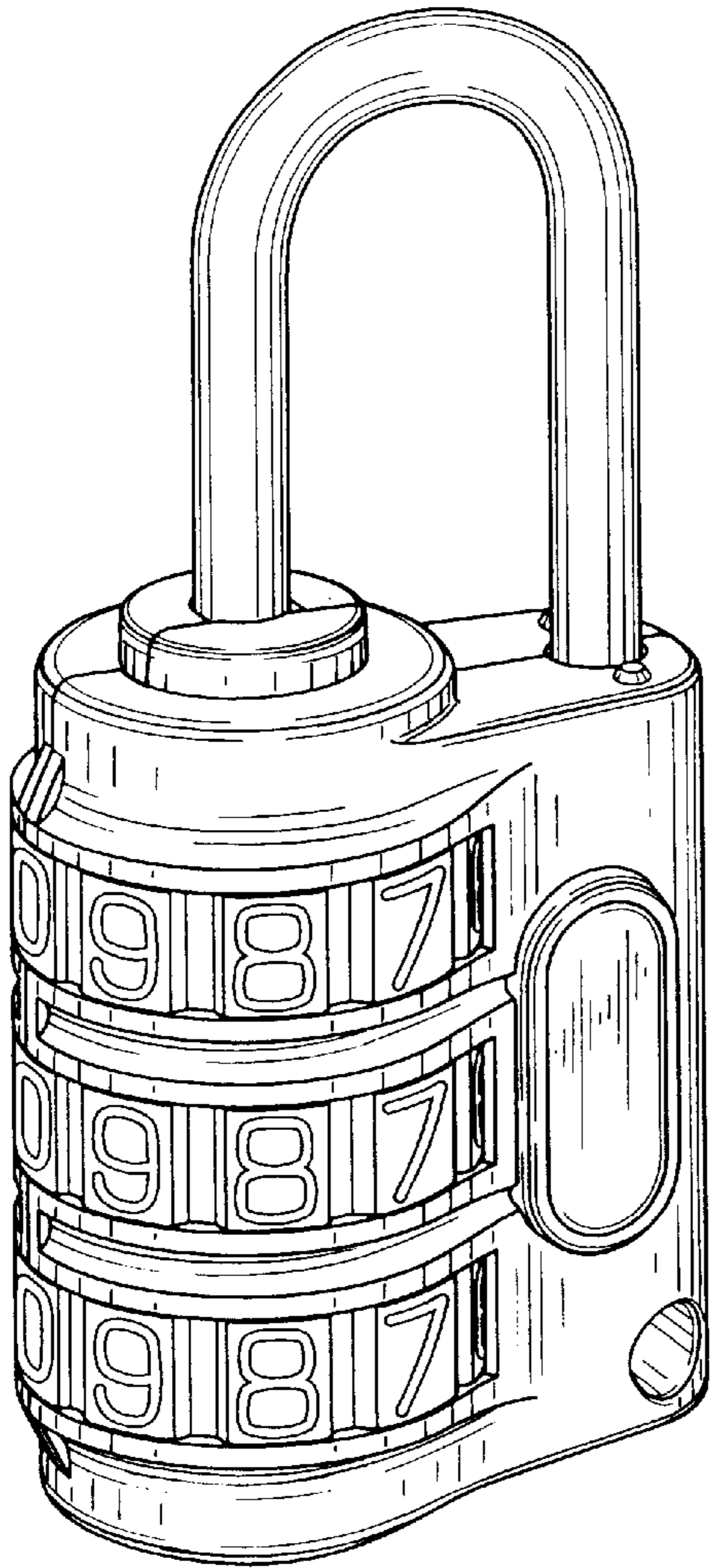


FIG. 2

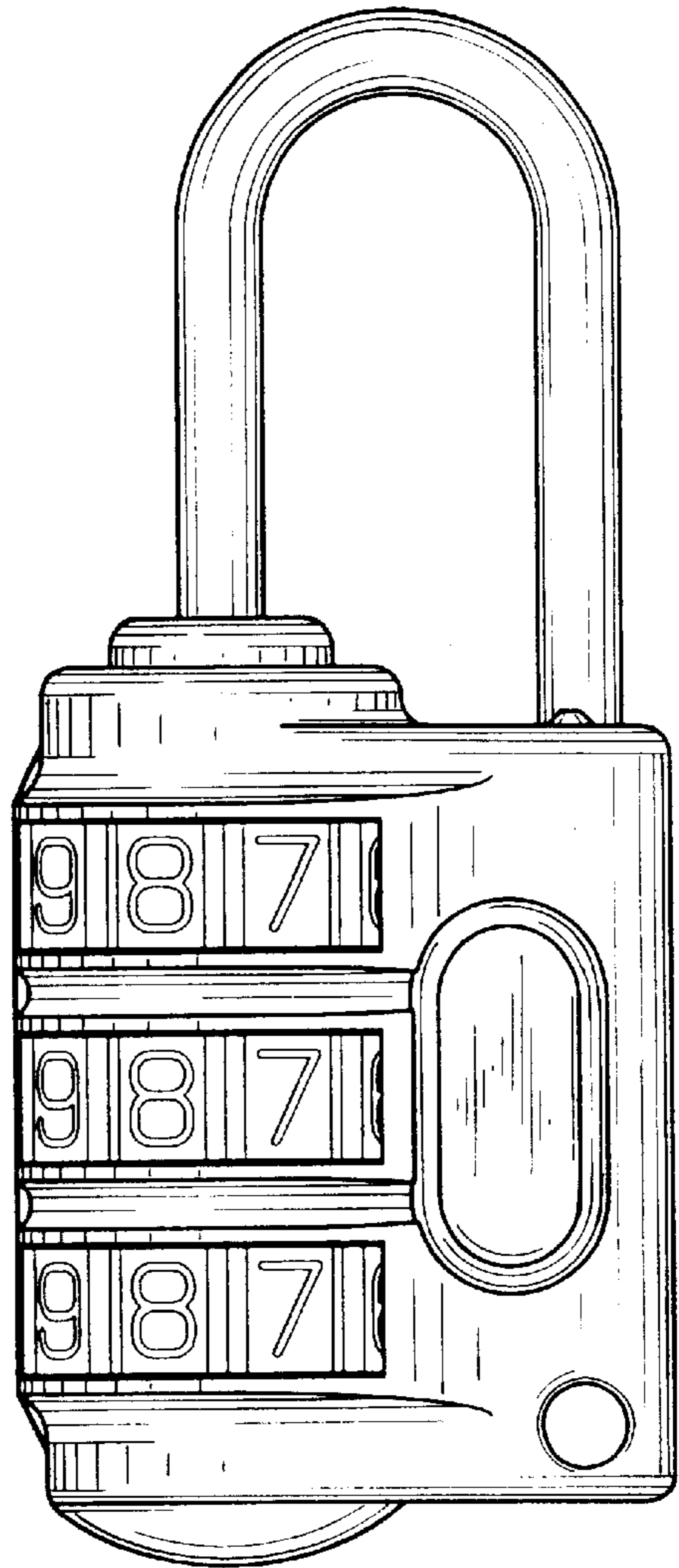


FIG. 3

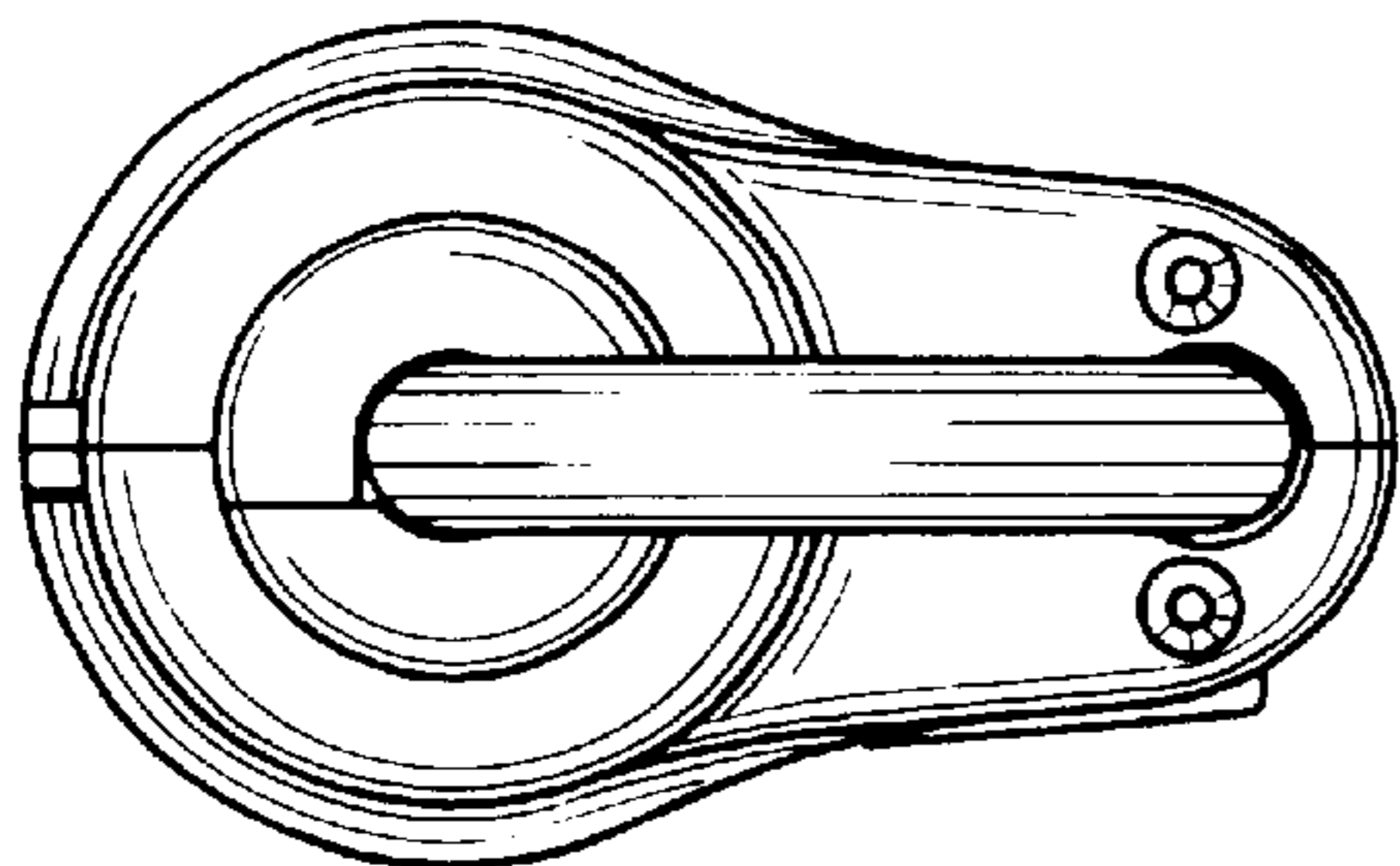


FIG. 4

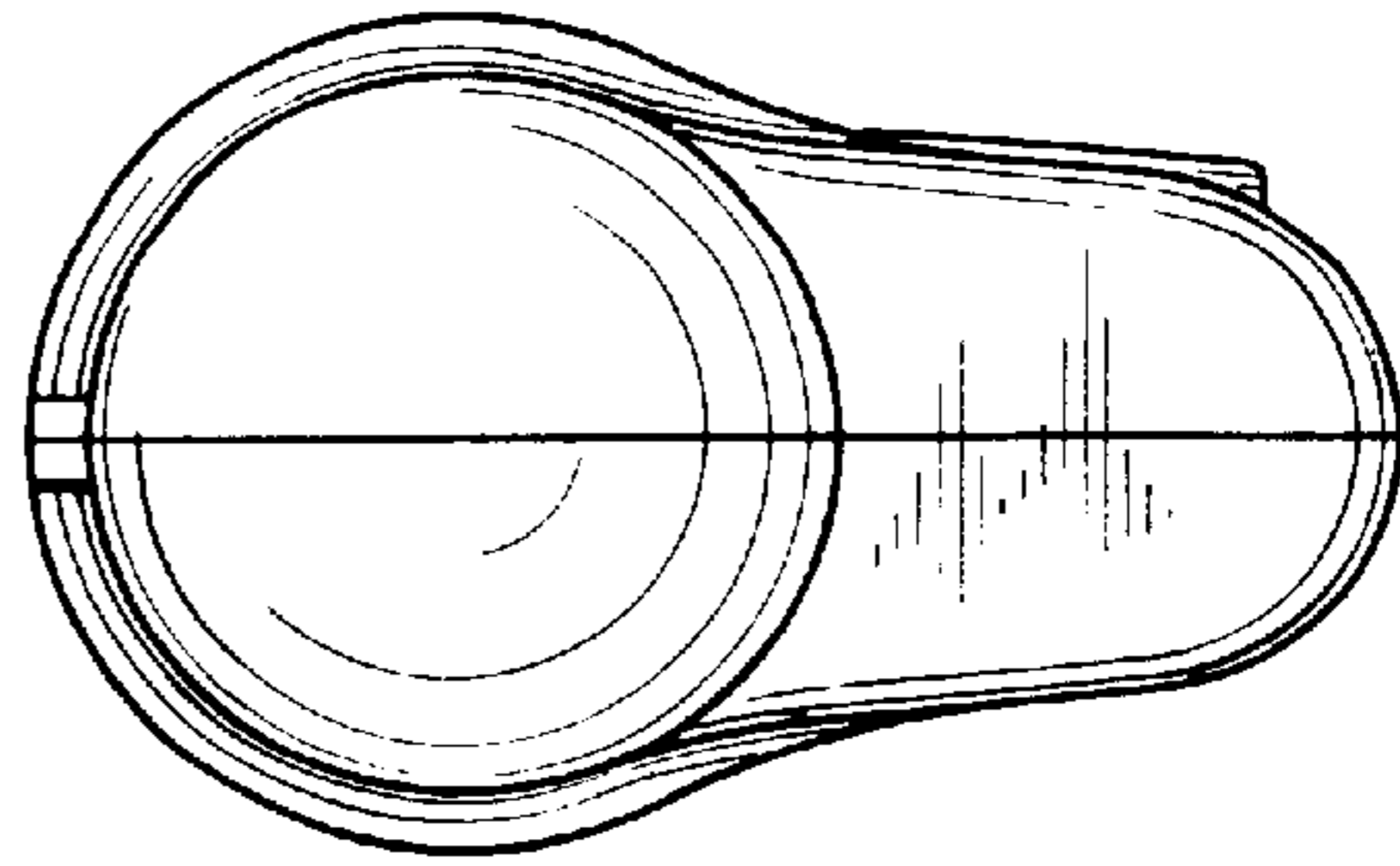


FIG. 5

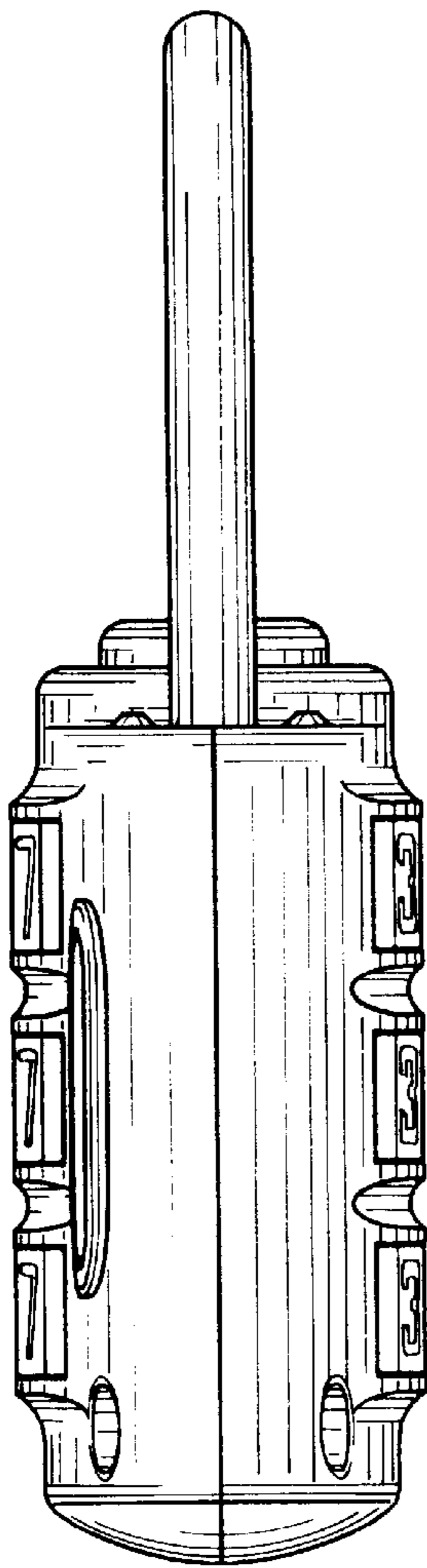


FIG. 6

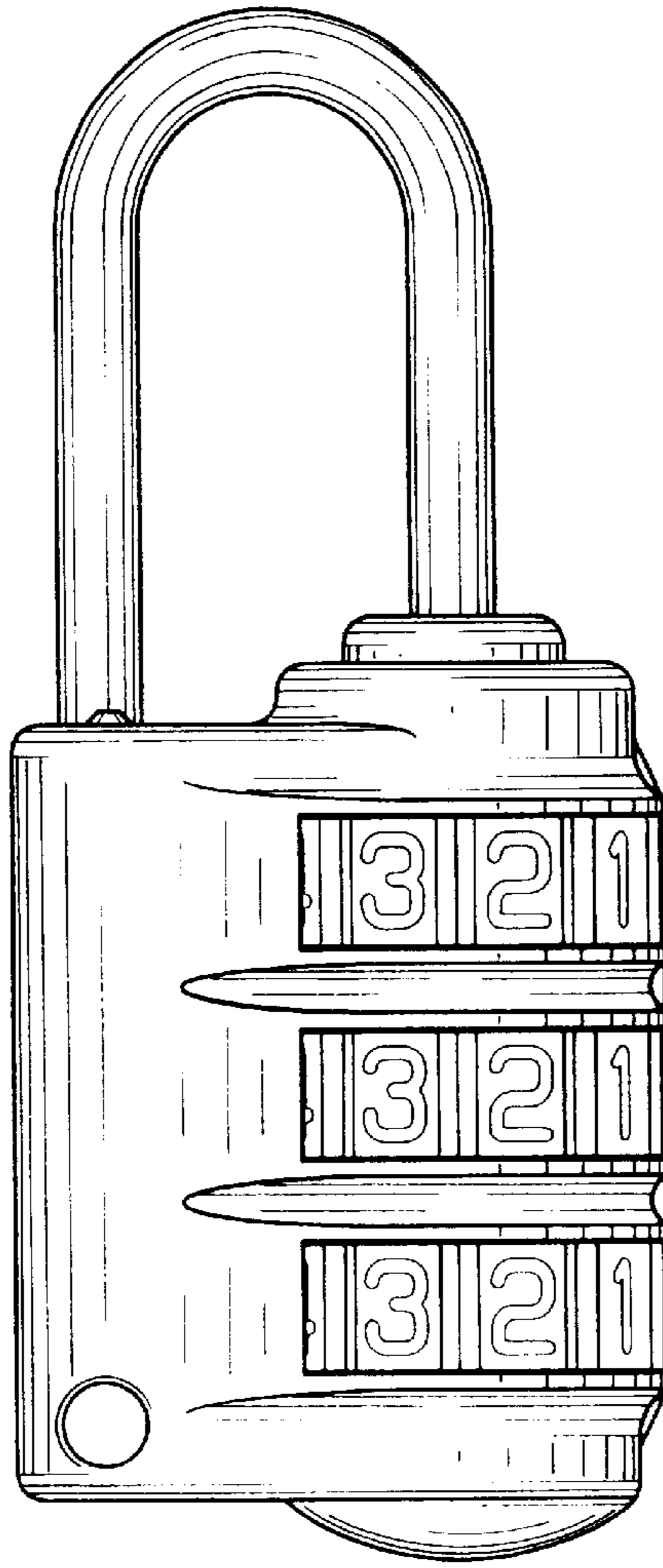


FIG. 7

