



US00D453465S

(12) **United States Design Patent**
Hsieh

(10) **Patent No.:** **US D453,465 S**

(45) **Date of Patent:** **** Feb. 12, 2002**

(54) **HAND POWER PULLER HANDLE**

D187,327 S * 3/1960 Daemmer D22/118

(76) Inventor: **Ching-Fong Hsieh**, P.O. Box 697,
Feng-Yuan City 420 (TW)

* cited by examiner

(**) Term: **14 Years**

Primary Examiner—Joel Sincavage
Assistant Examiner—Clare E. Heflin

(21) Appl. No.: **29/143,618**

(57) **CLAIM**

(22) Filed: **Jun. 13, 2001**

The ornamental design for a hand power puller handle, as shown.

(51) **LOC (7) Cl.** **08-03**

DESCRIPTION

(52) **U.S. Cl.** **D8/107**

(58) **Field of Search** D8/107, 98, 99,
D8/303, 312; D7/393, 395, 642, 645; D22/118;
30/166 R, 340; 16/110.1, 421, 422, 426,
430, 431

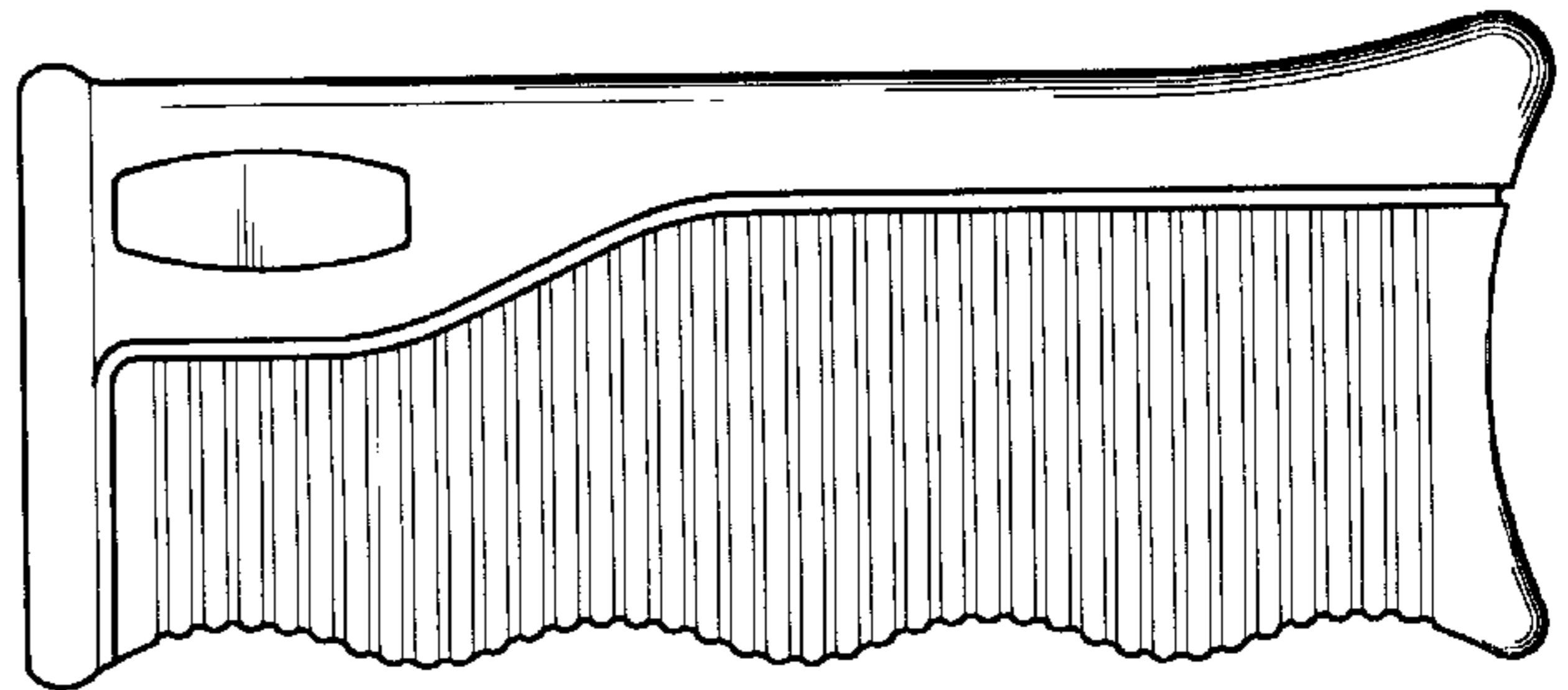
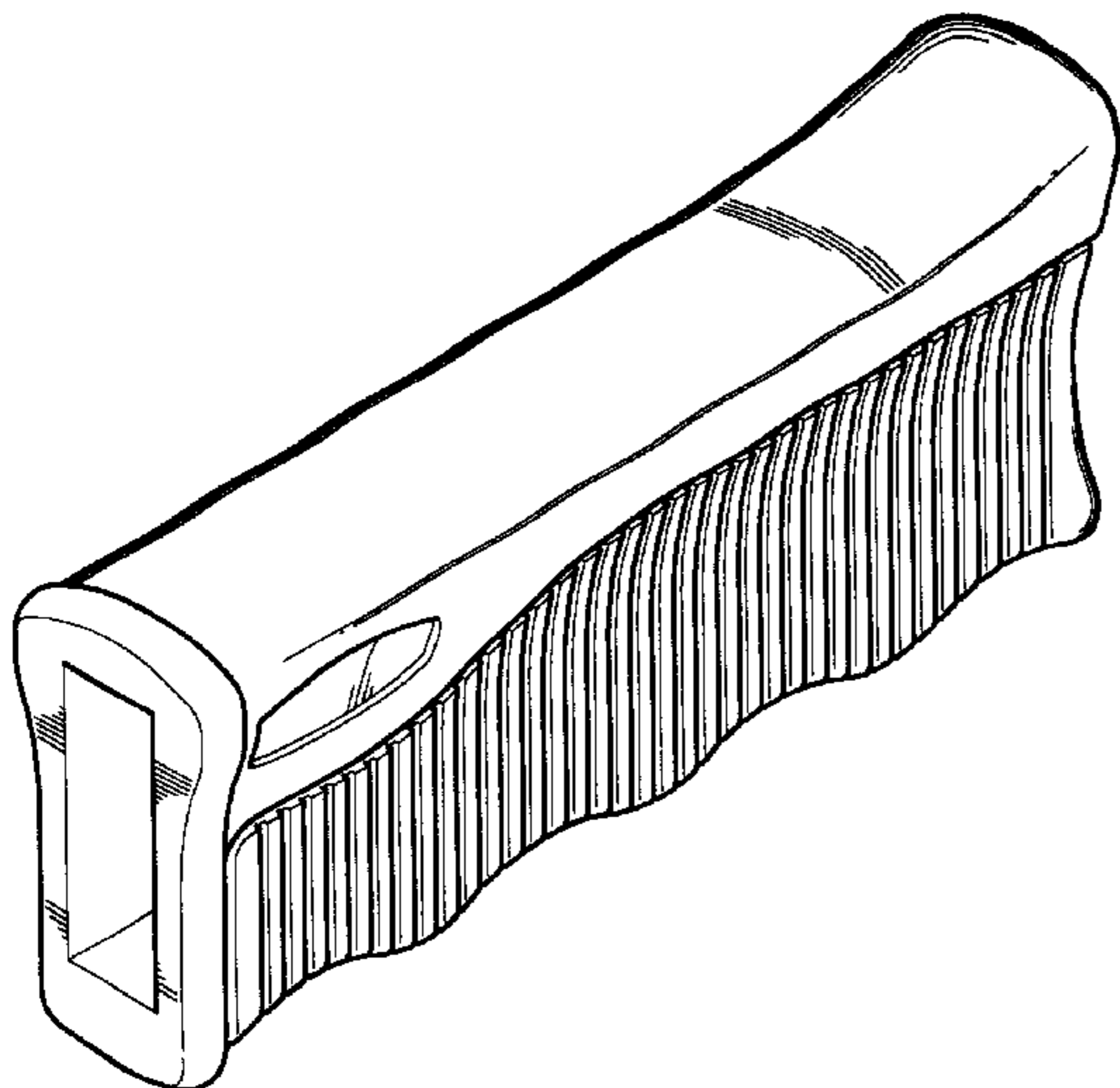
FIG. 1 is a perspective view of a hand power puller handle showing my new design;
FIG. 2 is a right side elevational view thereof;
FIG. 3 is a top plan view thereof;
FIG. 4 is a front elevational view thereof;
FIG. 5 is a bottom plan view thereof;
FIG. 6 is a left side elevational view thereof; and,
FIG. 7 is a rear elevational view thereof.

(56) **References Cited**

U.S. PATENT DOCUMENTS

2,666,340 A * 9/1954 Hunt 30/340
D178,988 S * 10/1956 Doherty D22/118

1 Claim, 4 Drawing Sheets



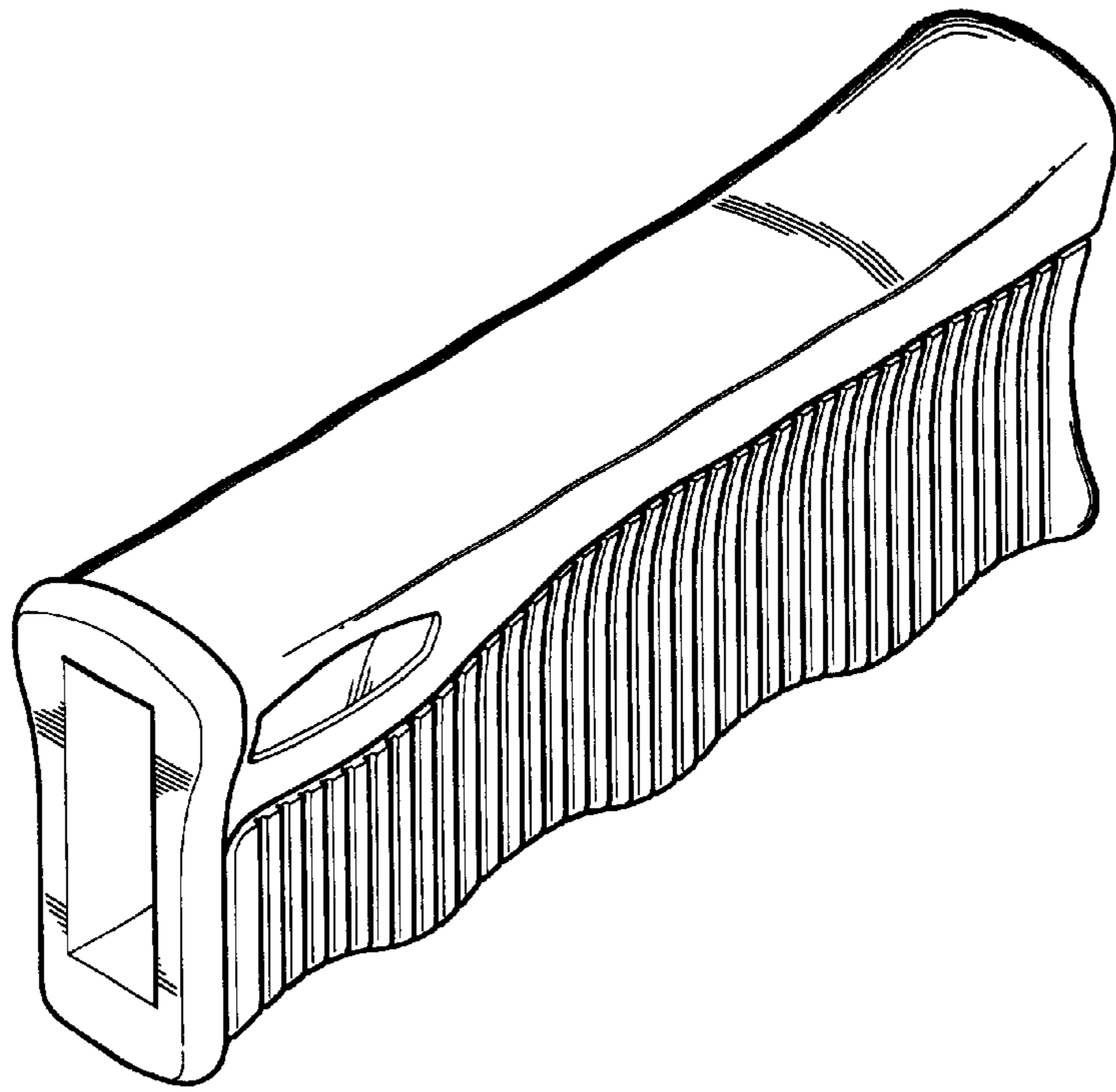


FIG. 1

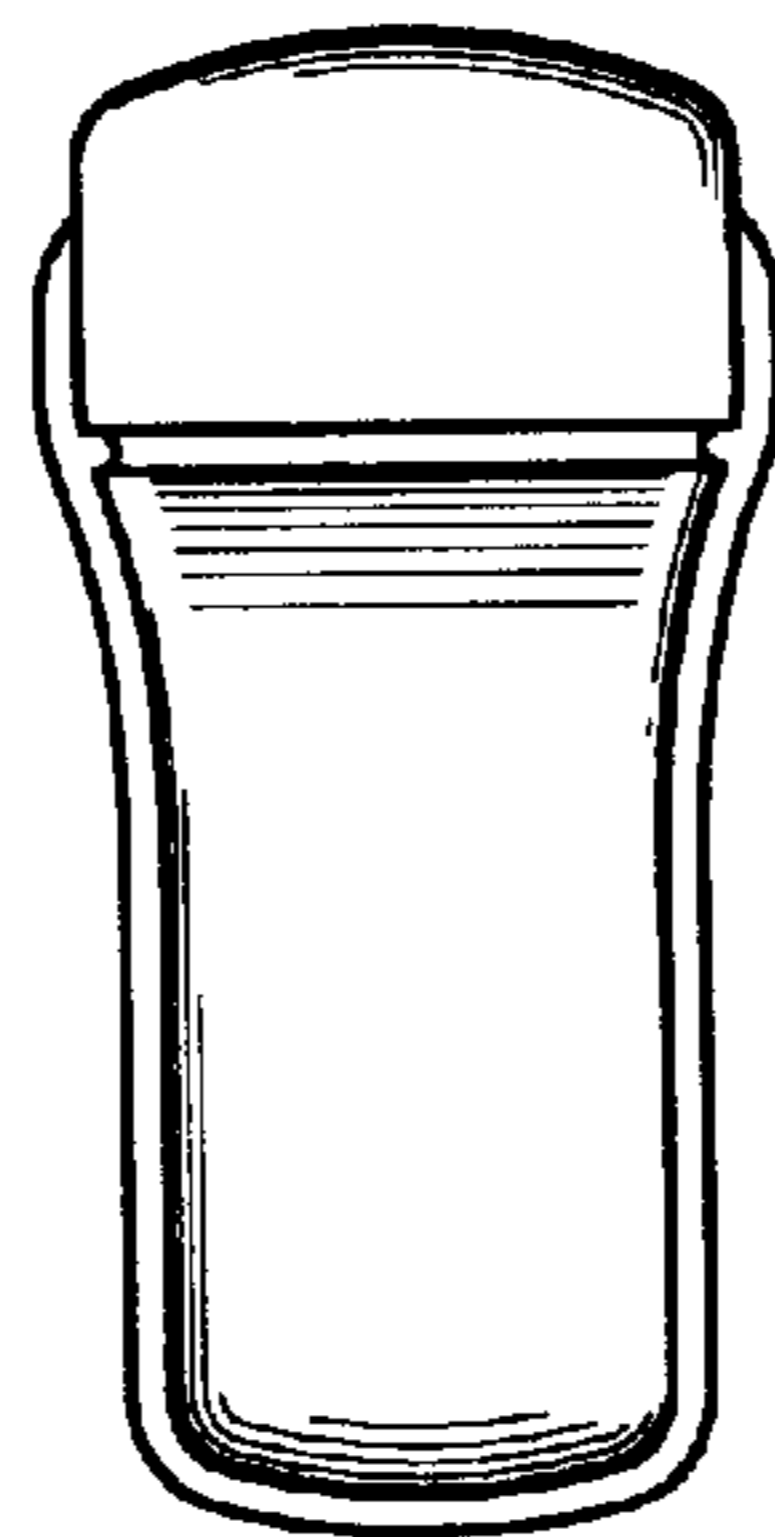


FIG. 2

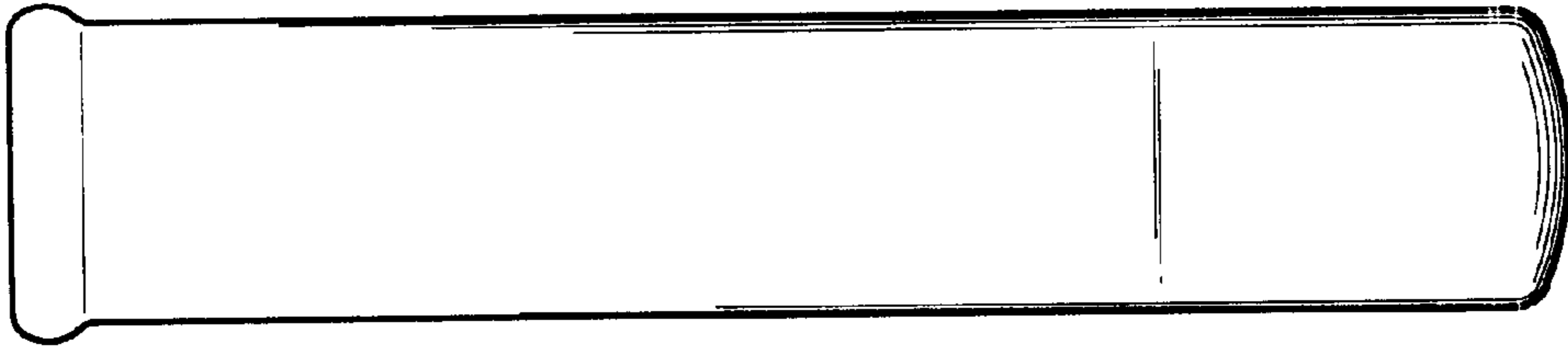


FIG. 3

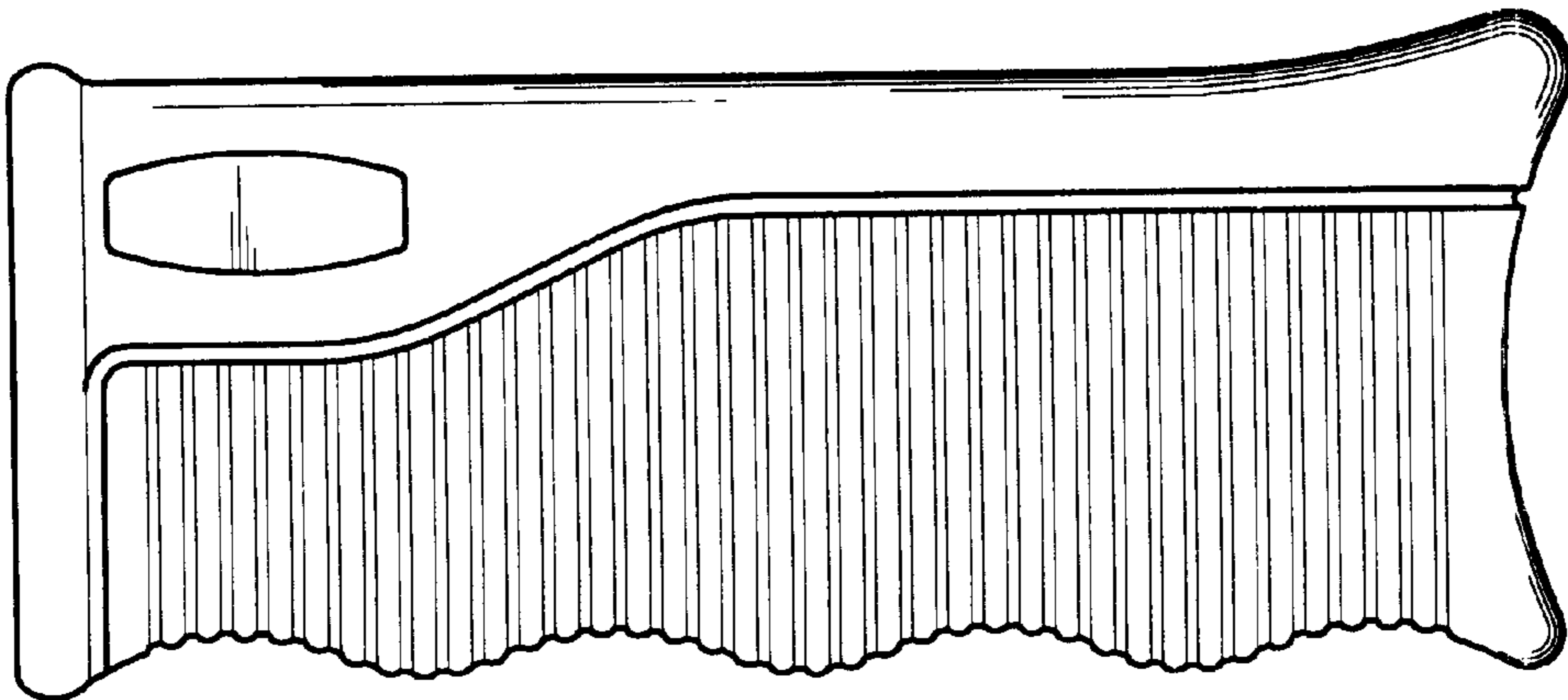


FIG. 4

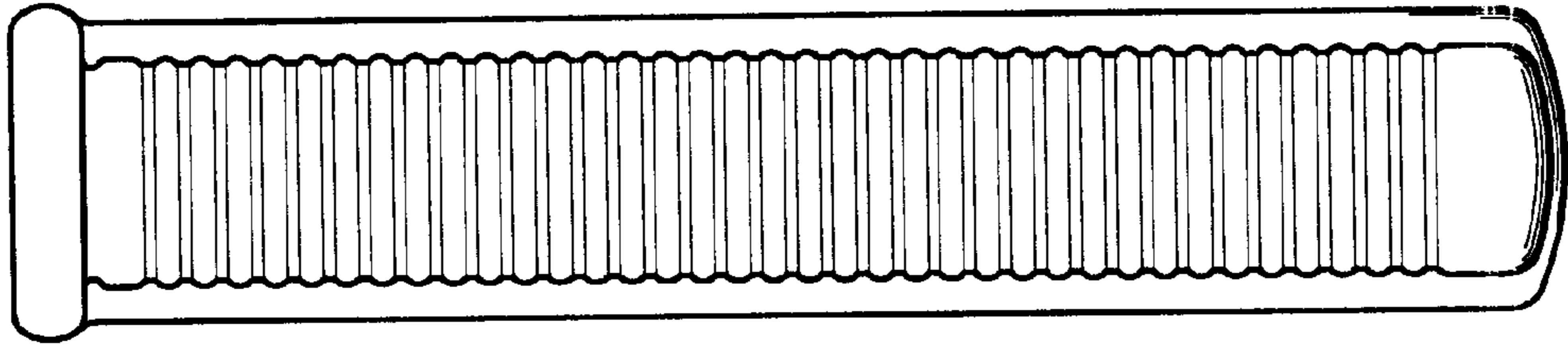


FIG. 5

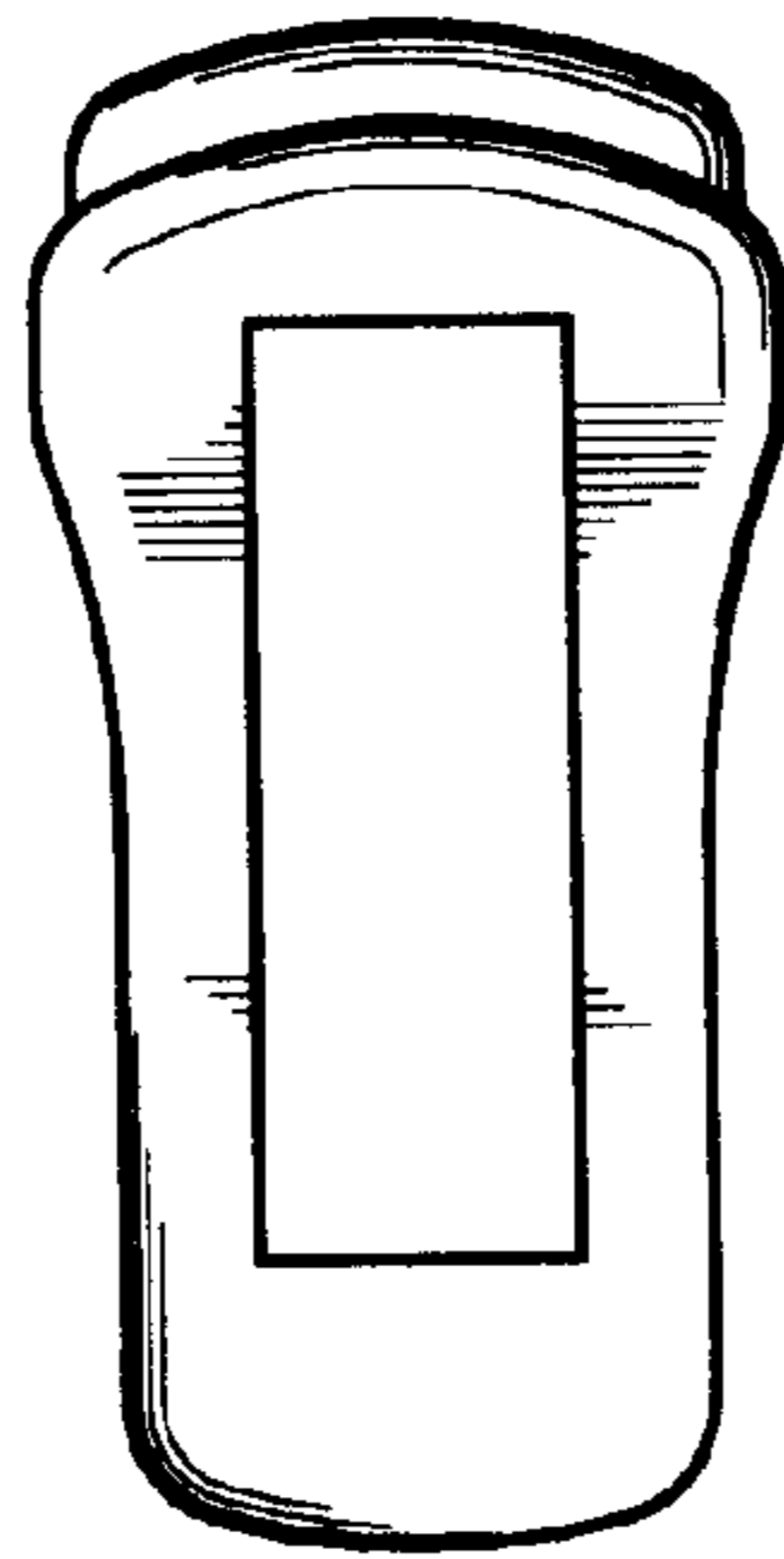


FIG. 6

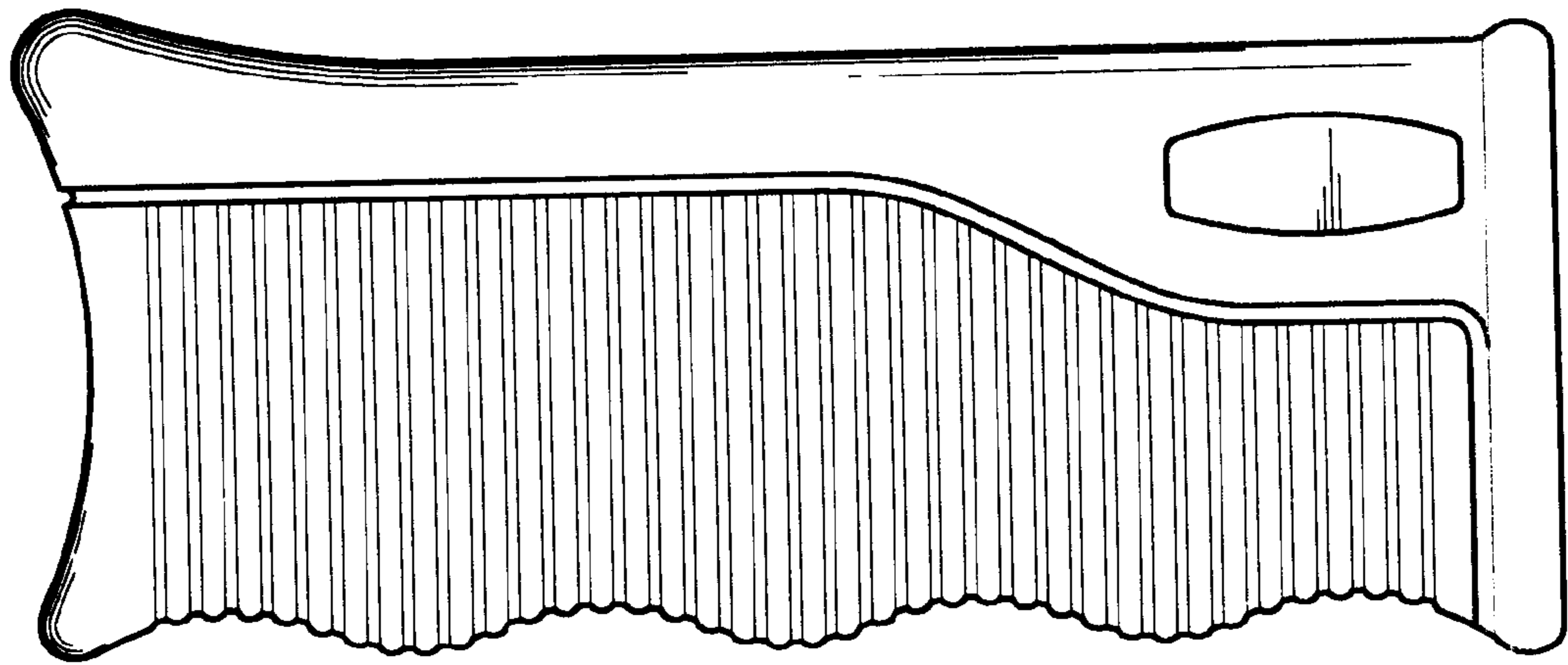


FIG. 7