



US00D453463S

(12) **United States Design Patent**  
**Chang**

(10) **Patent No.:** **US D453,463 S**

(45) **Date of Patent:** **\*\* Feb. 12, 2002**

(54) **HANDLE**

(76) **Inventor:** **Jung-Hsien Chang**, 7F-2, No. 5, Fu An 7<sup>th</sup> St., Fu An Li, Shitun Chu, Taichung (TW)

(\*\*) **Term:** **14 Years**

(21) **Appl. No.:** **29/123,404**

(22) **Filed:** **May 15, 2000**

(51) **LOC (7) Cl.** ..... **12-11**

(52) **U.S. Cl.** ..... **D8/107**

(58) **Field of Search** ..... D8/107, DIG. 4, D8/303, 98, 75, 80, 83, 87, 300; D22/118; D7/395, 649; 30/340, 343, 344; 16/110.1, 431; 81/489, 427.5; D4/138; D32/51, 52

(56) **References Cited**

**U.S. PATENT DOCUMENTS**

1,054,823	A	*	3/1913	Burks	
D99,313	S	*	4/1936	Shafter	
4,964,192	A	*	10/1990	Marui	81/489 X
5,425,176	A	*	6/1995	Brainerd et al.	30/308.1
5,887,937	A	*	3/1999	Searfoss	296/122
D427,135	S	*	6/2000	Searfoss	D12/223

D428,788 S \* 8/2000 Ryu ..... D8/80

\* cited by examiner

*Primary Examiner*—Alan P. Douglas

*Assistant Examiner*—Clare E. Heflin

(74) *Attorney, Agent, or Firm*—W. Wayne Liauh

(57) **CLAIM**

The ornamental design for a handle, as shown.

**DESCRIPTION**

The present design relates to a handle of a streamlined design.

The handle has a grip portion of a slight arcuate profile to facilitate the easy holding of the grip portion with hand. The grip portion has an octagonal cross section, which is different from the cross sections of the conventional handles. The handle of the present design is provided with an overall esthetic effect to gain simplicity and marketability.

FIG. 1. Shows a front elevational view of the present design.

FIG. 2. Shows a rear elevational view of the present design.

FIG. 3. Shows a left elevational view of the present design.

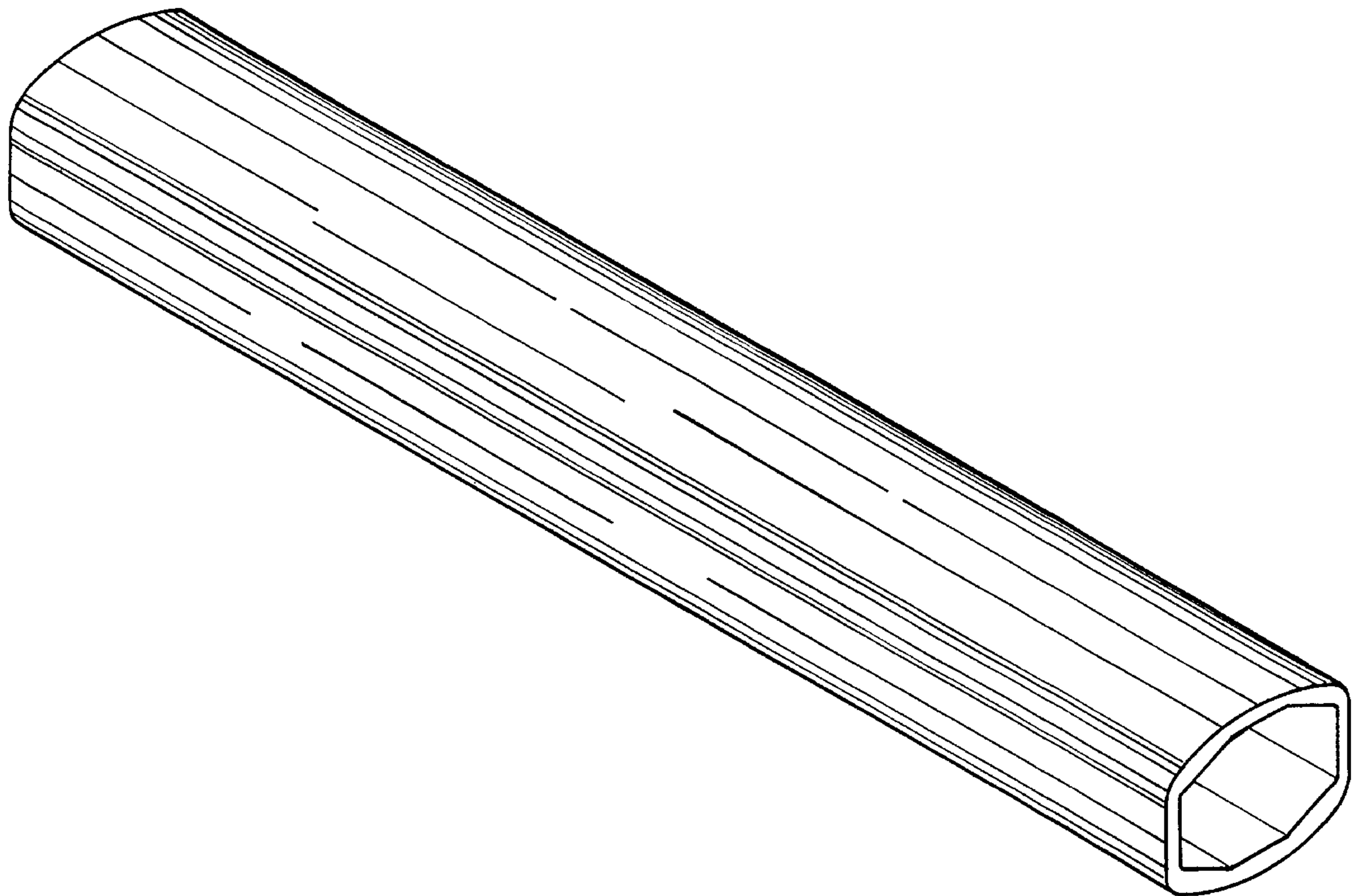
FIG. 4. Shows a right elevational view of the present design.

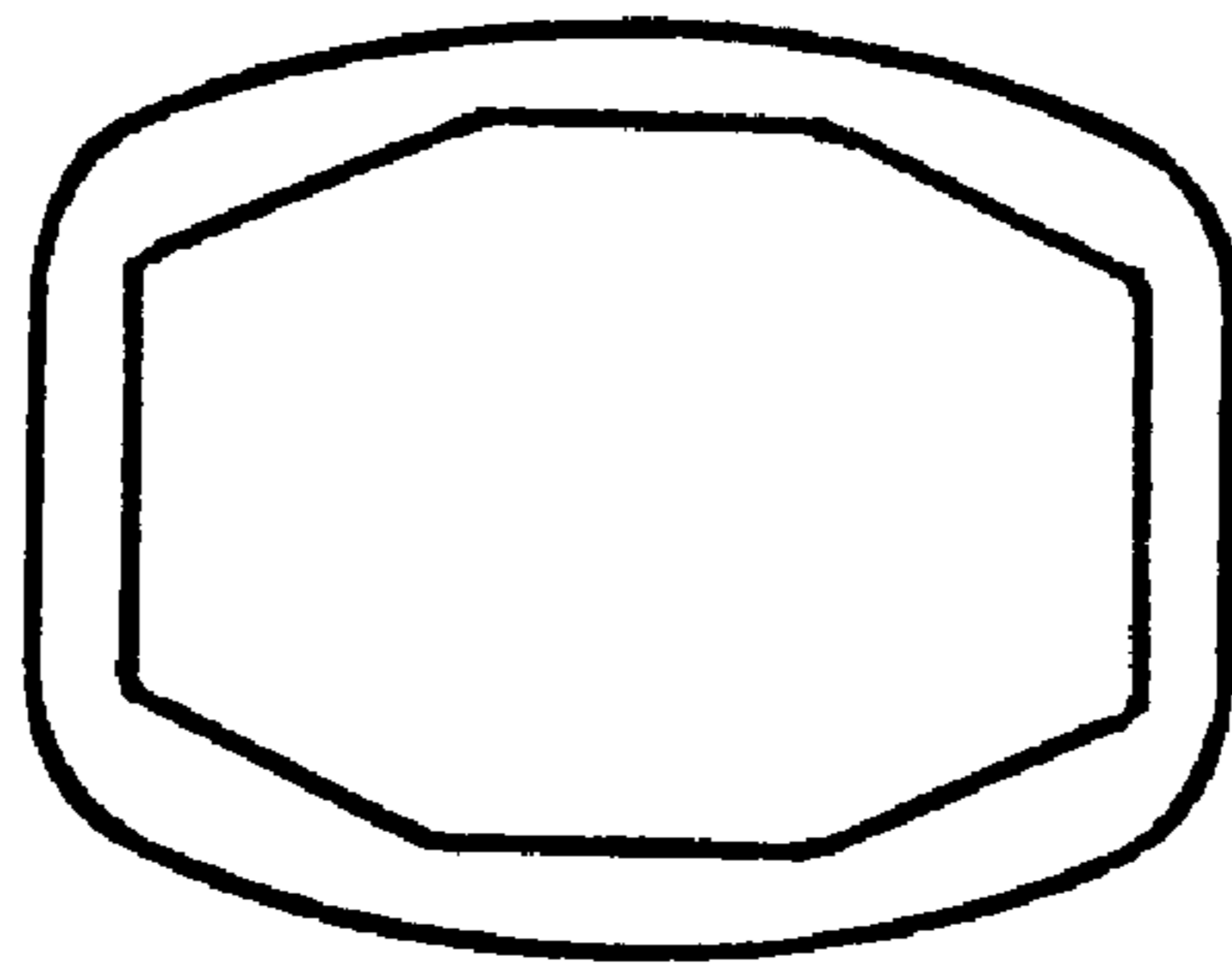
FIG. 5. Shows a top plan view of the present design.

FIG. 6. Shows a bottom plan view of the present design; and,

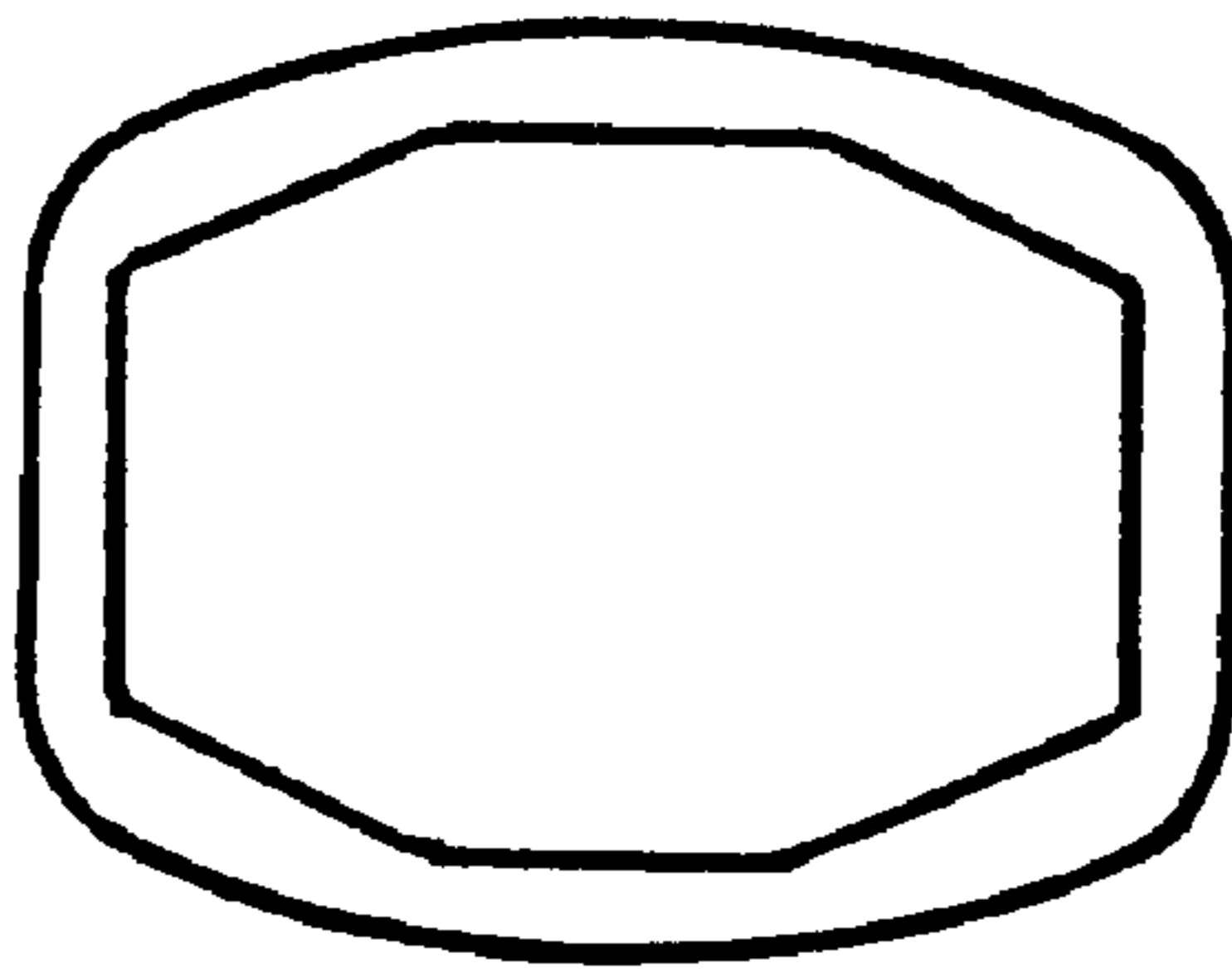
FIG. 7. Shows a perspective view of the present design.

**1 Claim, 7 Drawing Sheets**

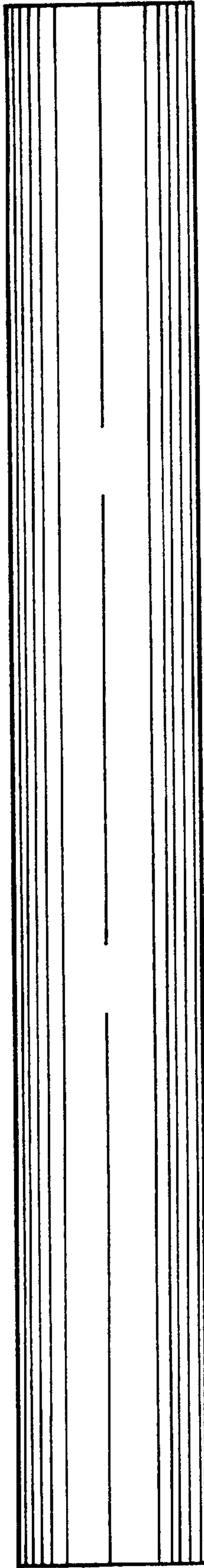




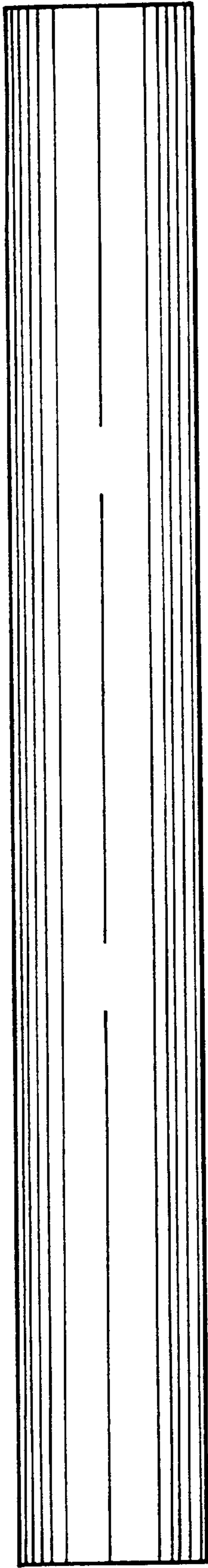
**FIG.1.**



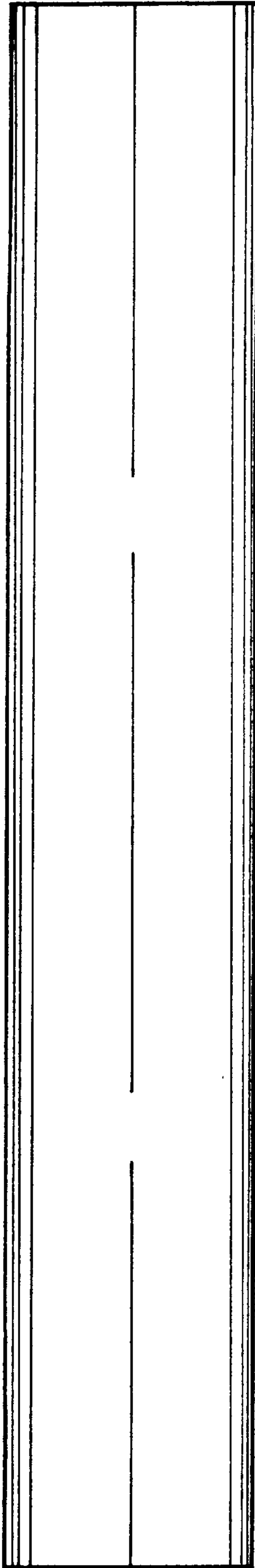
**FIG.2.**



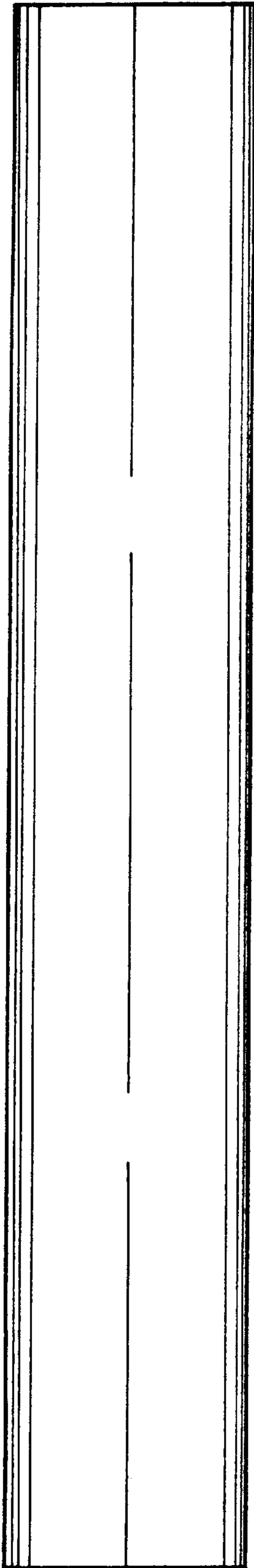
**FIG.3.**



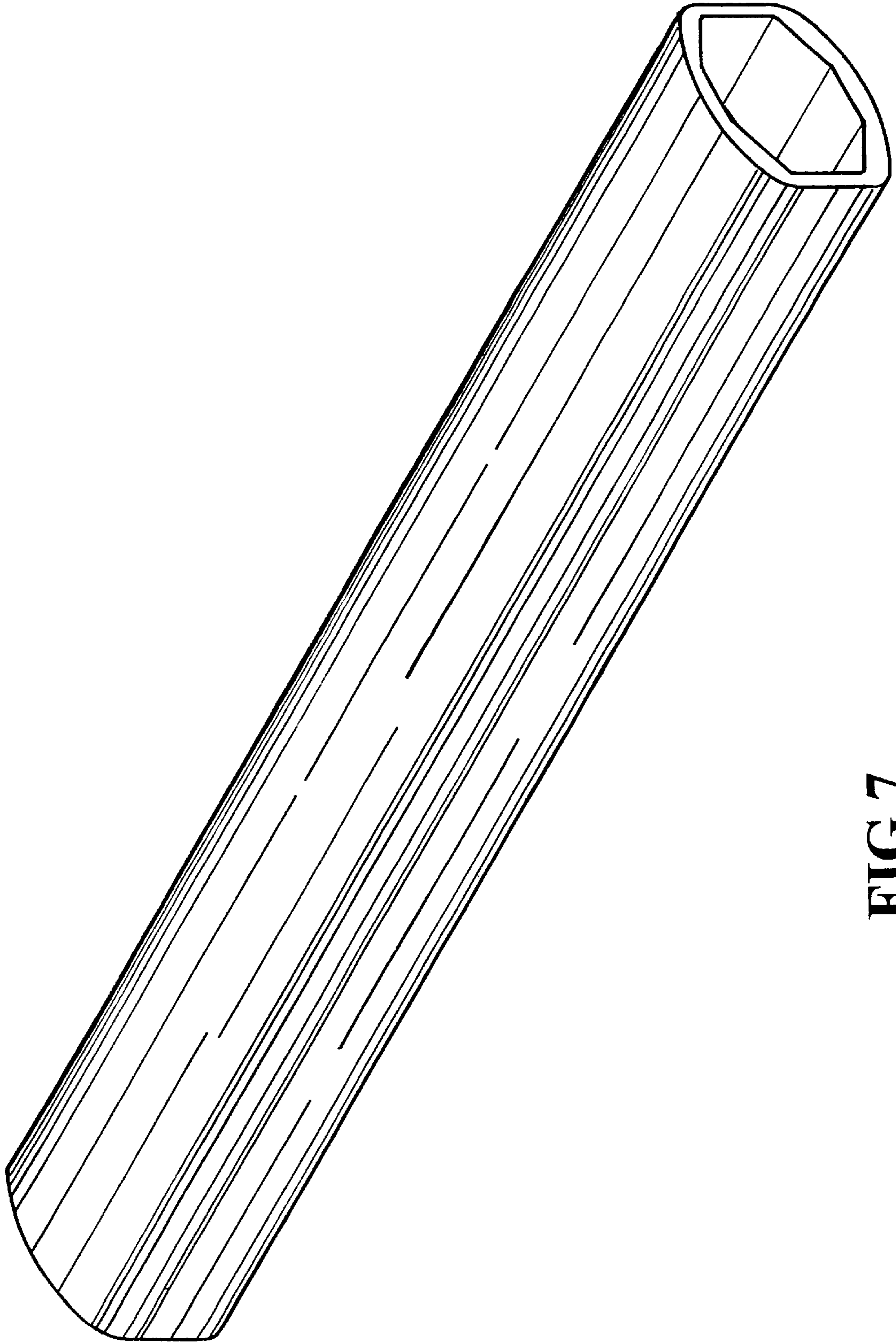
**FIG.4.**



**FIG.5.**



**FIG.6.**



**FIG. 7.**