



US00D453460S

(12) **United States Design Patent**
Lui

(10) **Patent No.:** **US D453,460 S**

(45) **Date of Patent:** **** Feb. 12, 2002**

(54) **ELECTRIC SANDER**

(75) **Inventor:** **Tat Nin Lui, Hong Kong (HK)**

(73) **Assignee:** **Choon Nang Electrical Appliance Mfy., Ltd., Aberdeen (HK)**

(**) **Term:** **14 Years**

(21) **Appl. No.:** **29/144,067**

(22) **Filed:** **Jun. 26, 2001**

(30) **Foreign Application Priority Data**

Dec. 28, 2000 (GB) 2098425

(51) **LOC (7) Cl.** **08-01**

(52) **U.S. Cl.** **D8/62**

(58) **Field of Search** D8/61, 62, 63,
D8/64, 66, 67, 68, 69; 310/50; 408/124;
451/344, 356, 357, 358, 359

(56) **References Cited**

U.S. PATENT DOCUMENTS

- D343,104 S * 1/1994 Hoshino D8/62
- D366,406 S * 1/1996 Kikuchi D8/62
- D385,467 S * 10/1997 Schweizer D8/62

- D386,378 S * 11/1997 Henssler et al. D8/62
- 5,743,791 A * 4/1998 Boston et al. 451/344
- D404,273 S * 1/1999 Somers D8/62
- D447,397 S * 9/2001 Netzler D8/62

* cited by examiner

Primary Examiner—Doris V. Coles

Assistant Examiner—Elizabeth A. Albert

(74) *Attorney, Agent, or Firm*—Leydig, Voit & Mayer, Ltd.

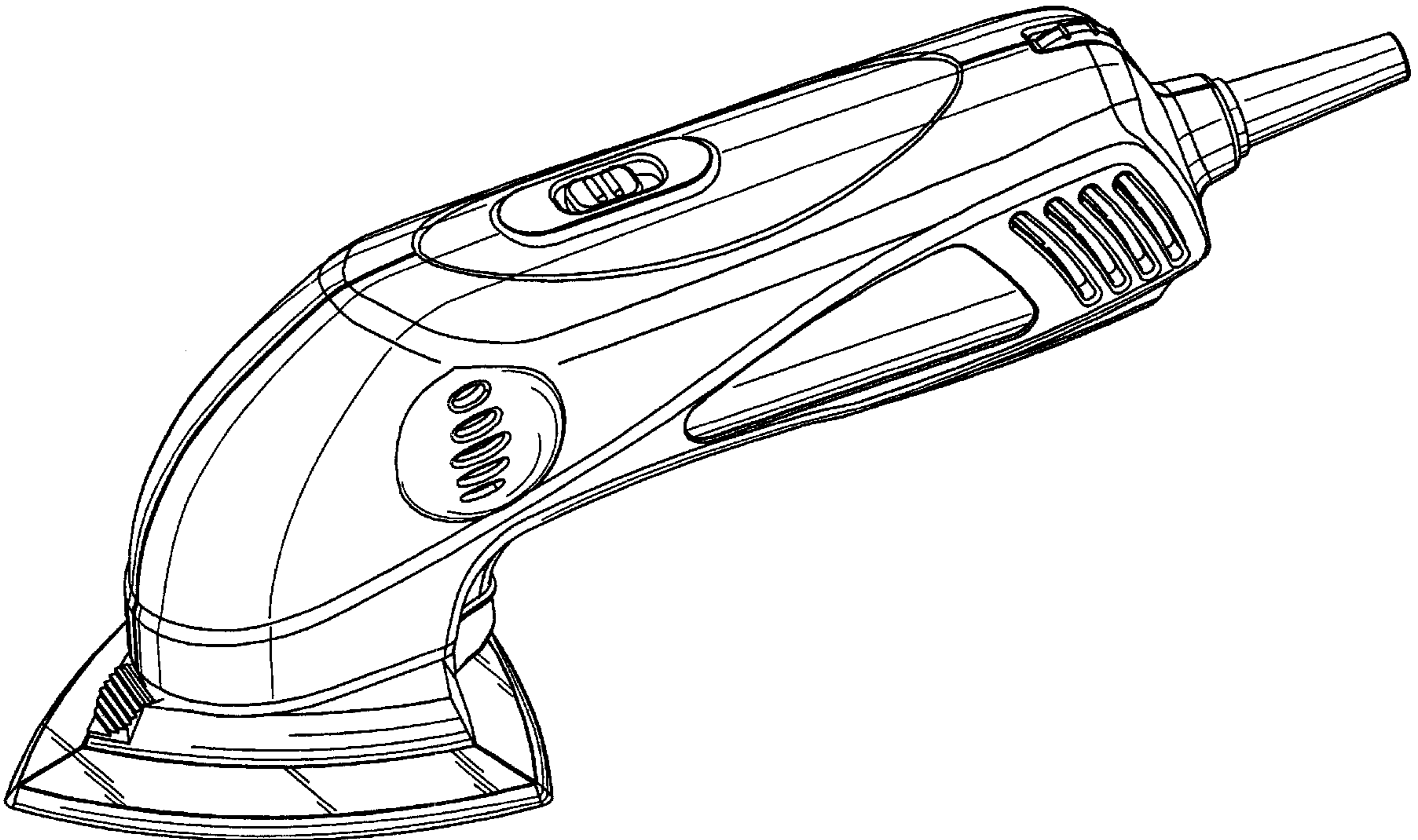
(57) **CLAIM**

The ornamental design for an electric sander, as shown and described.

DESCRIPTION

FIG. 1 is a front end, left side and top perspective view of an electric sander showing my new design;
 FIG. 2 is a right side and top perspective view thereof;
 FIG. 3 is a left side elevational view thereof;
 FIG. 4 is a right side elevational view thereof;
 FIG. 5 is a front end elevational view thereof;
 FIG. 6 is a rear end elevational view thereof;
 FIG. 7 is a top plan view thereof; and,
 FIG. 8 is a bottom plan view thereof.

1 Claim, 7 Drawing Sheets



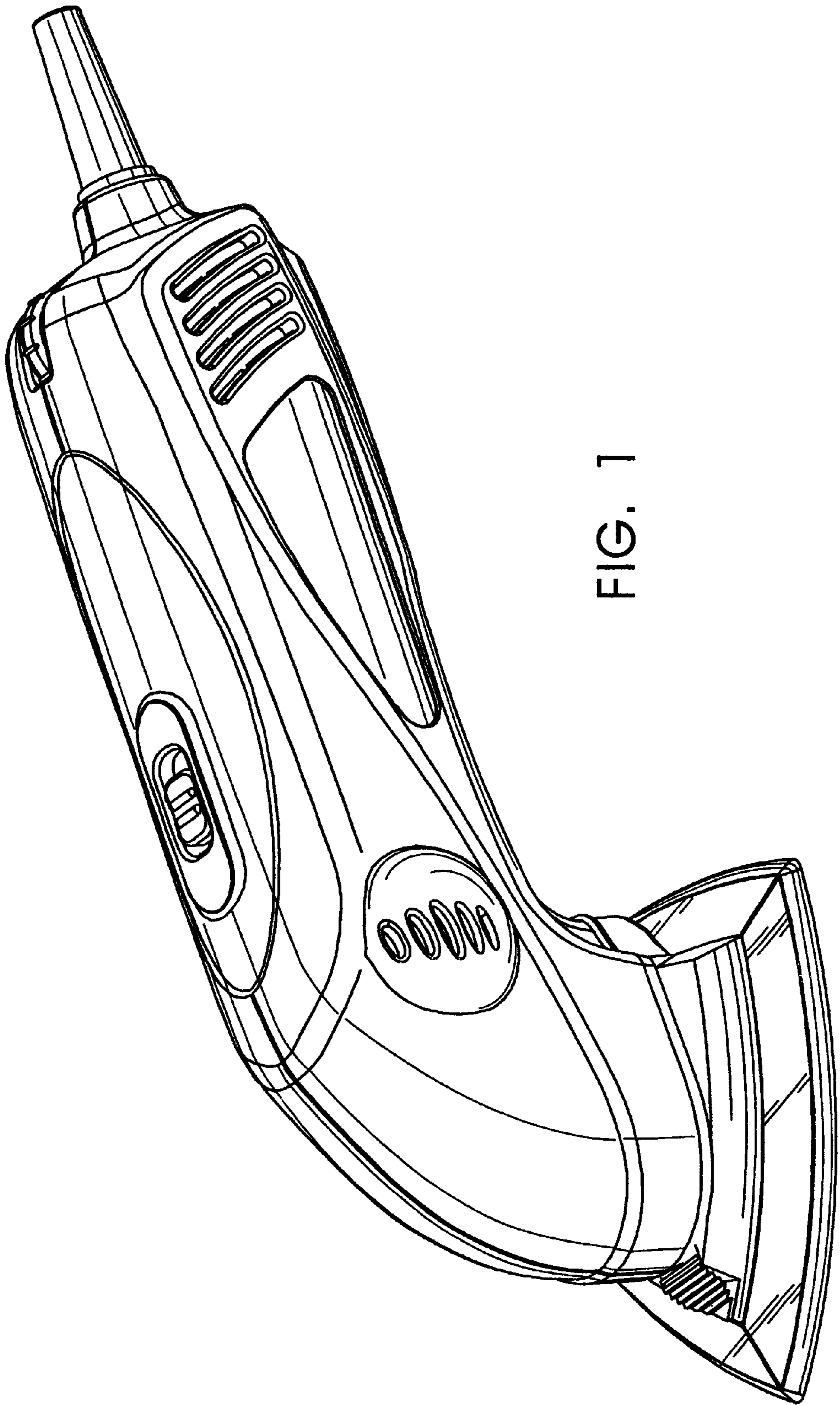


FIG. 1

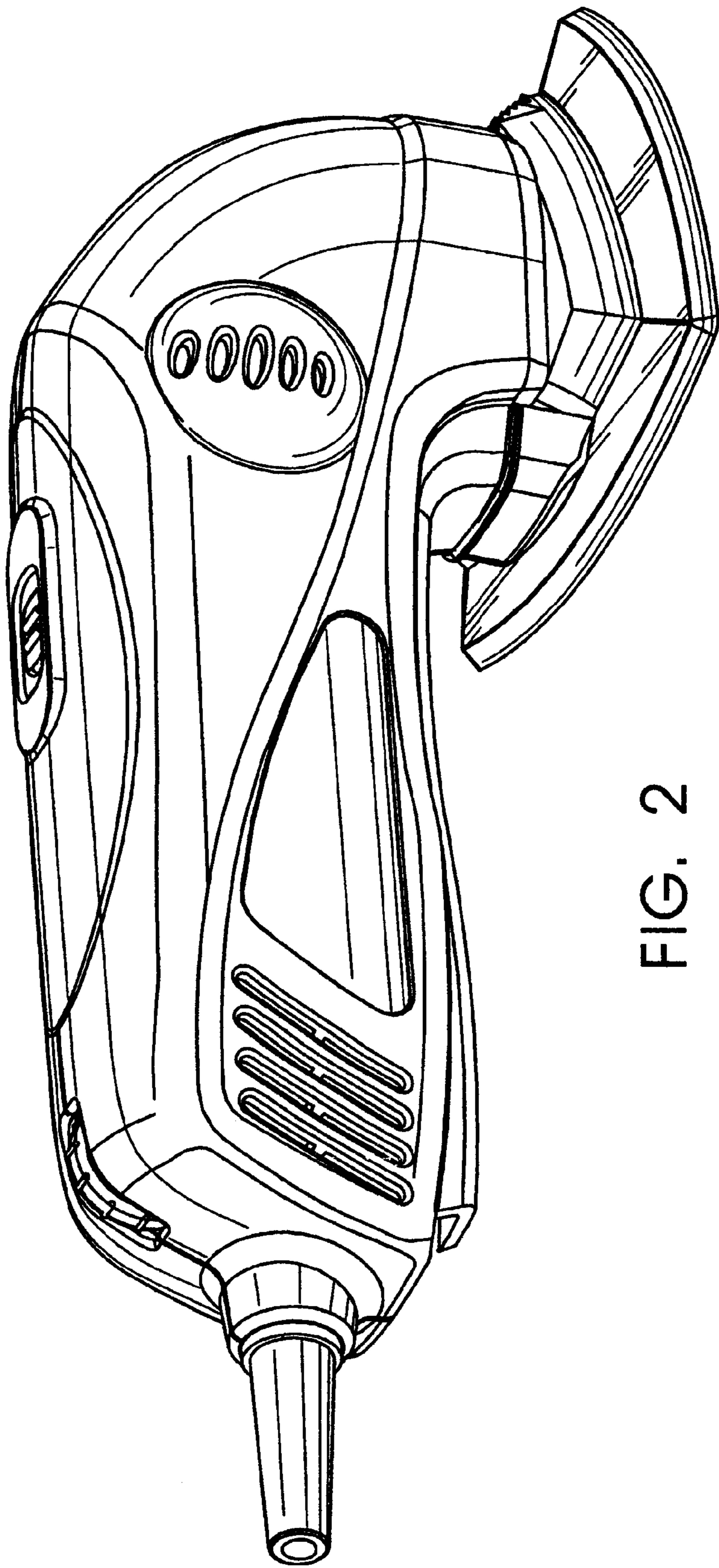


FIG. 2

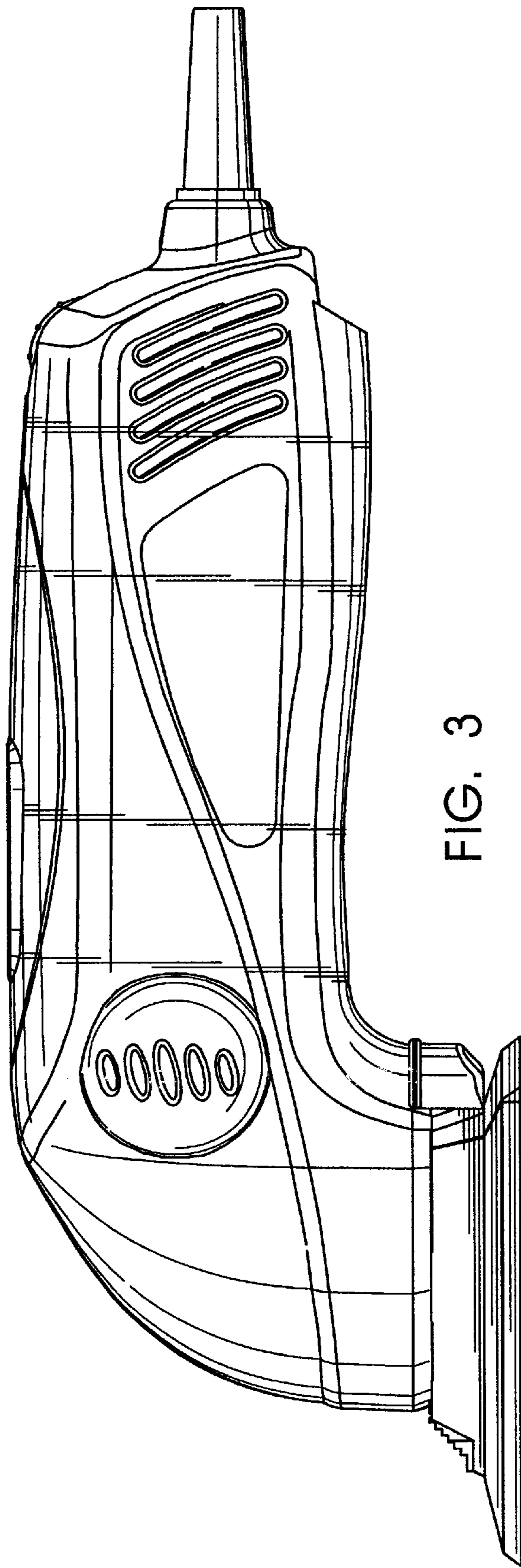


FIG. 3

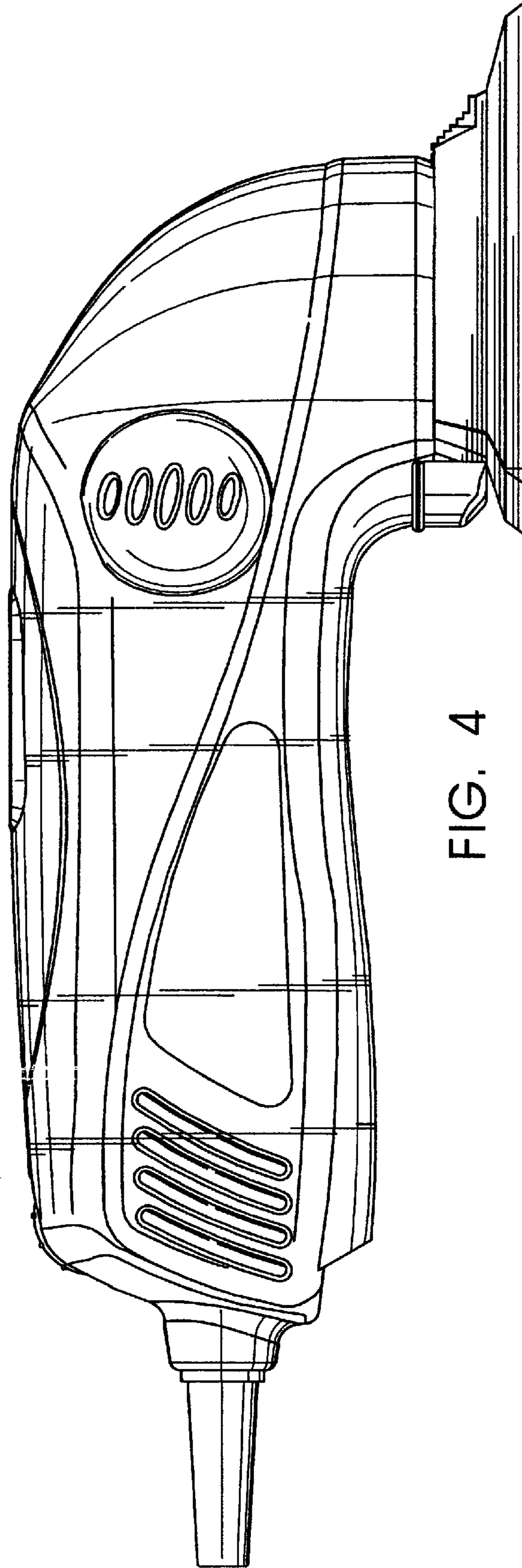


FIG. 4

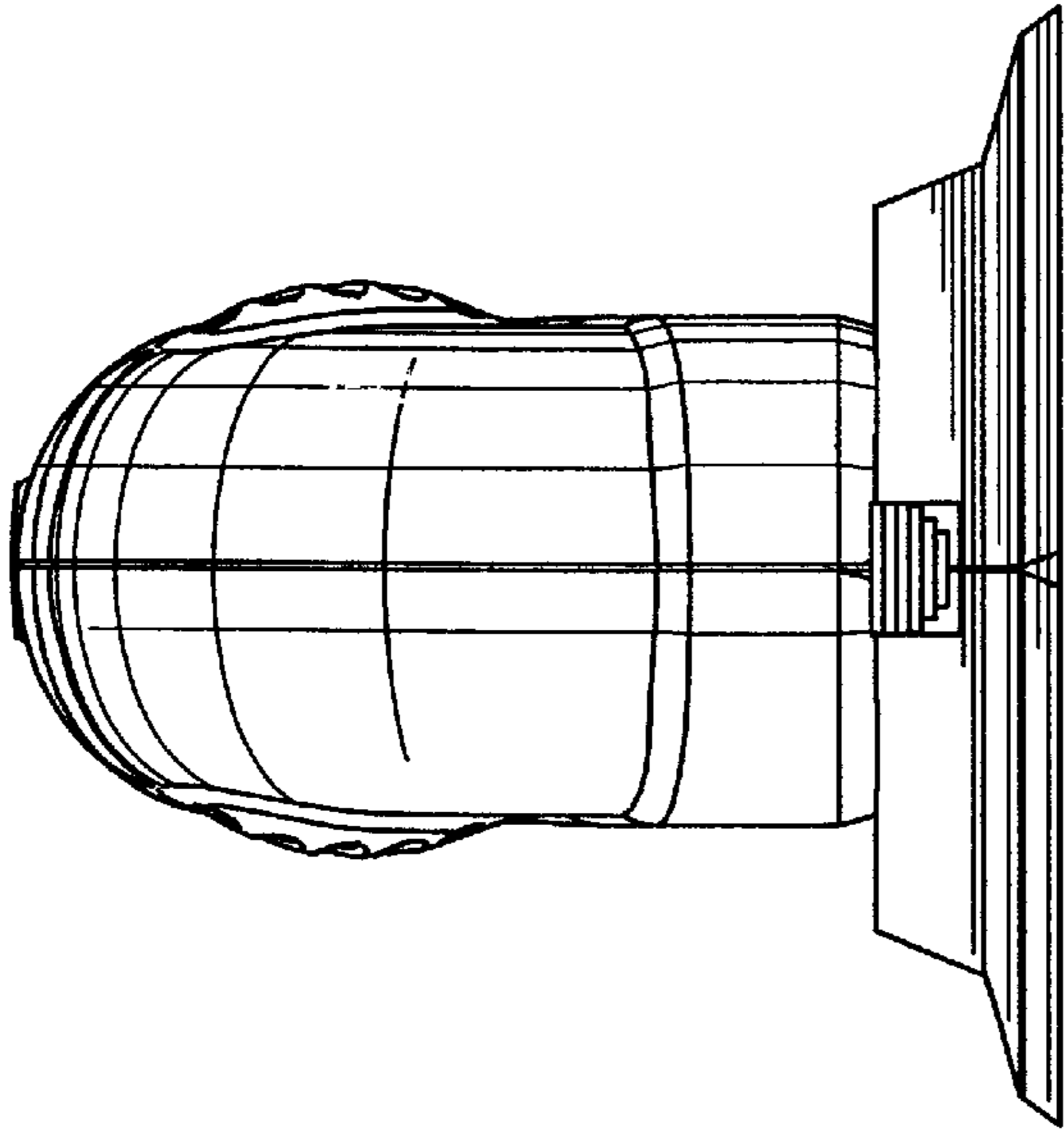


FIG. 5

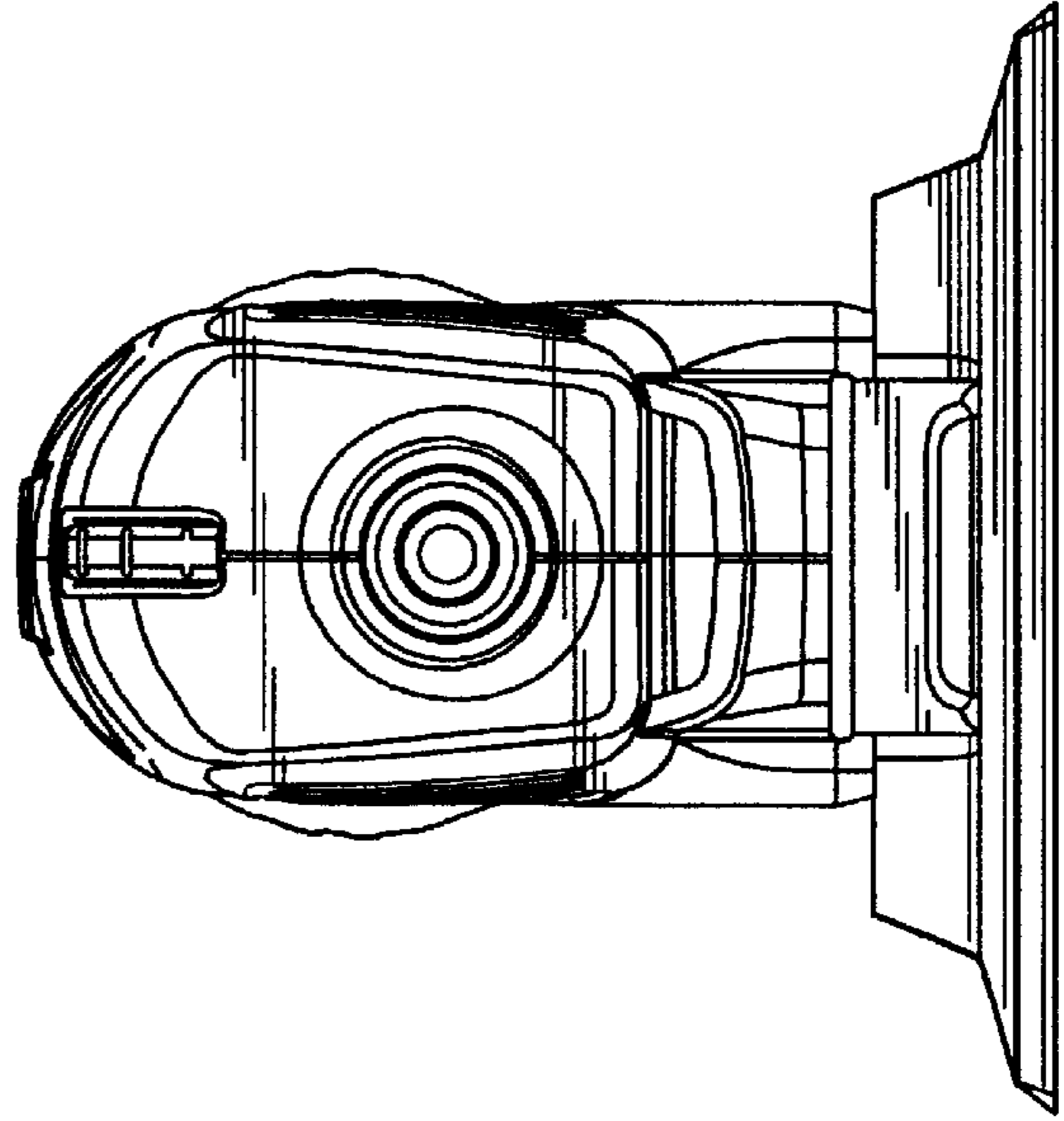


FIG. 6

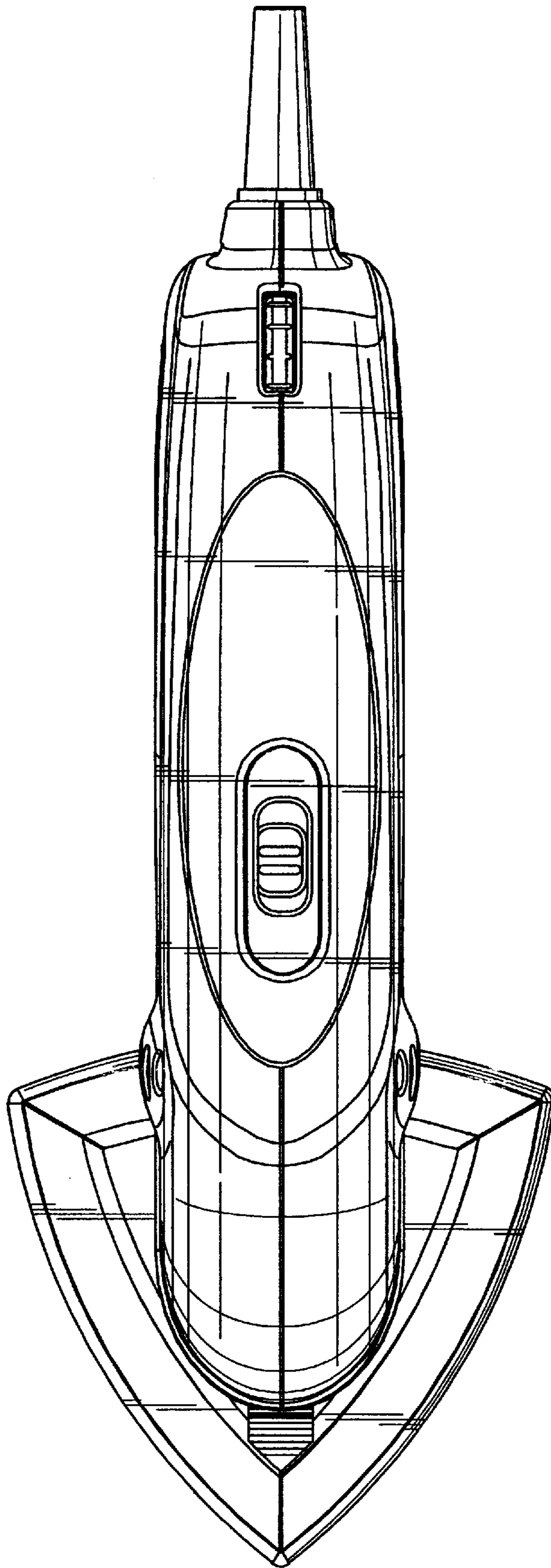


FIG. 7

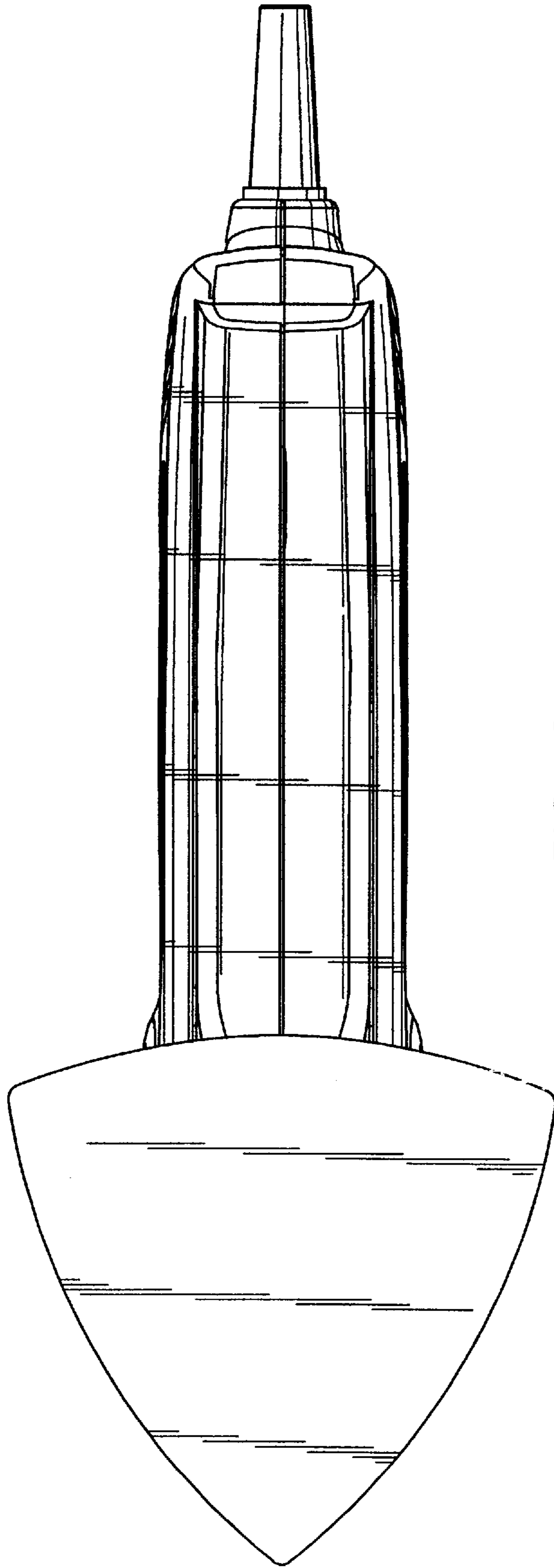


FIG. 8