



US00D453455S

(12) **United States Design Patent**
Kelleghan

(10) **Patent No.:** **US D453,455 S**

(45) **Date of Patent:** **** Feb. 12, 2002**

(54) **LANTERN SHAPED BOTTLE OPENER**

DESCRIPTION

- (75) Inventor: **Brian James Kelleghan**, Longmont, CO (US)
- (73) Assignee: **Bison Designs, L.L.C.**, Longmont, CO (US)
- (**) Term: **14 Years**
- (21) Appl. No.: **29/138,552**
- (22) Filed: **Mar. 15, 2001**
- (51) **LOC (7) Cl.** **07-99**
- (52) **U.S. Cl.** **D8/38**
- (58) **Field of Search** D8/18, 33-43;
7/151-156; 81/3.07-3.49

FIG. 1 is a top side plan view of the of my new design for a lantern shaped bottle opener.

FIG. 2 is a bottom side plan view of the bottle opener shown in FIG. 1.

FIG. 3 is a right and a left side plan view, which are identical, of the bottle opener shown in FIG. 1.

FIG. 4 is a front side plan view of the bottle opener shown in FIG. 1.

FIG. 5 is a rear side plan view of the bottle opener shown in FIG. 1.

FIG. 6 is a top perspective view of the bottle opener shown in FIG. 1.

FIG. 7 is a plan view of the top side of an alternate embodiment for a lantern shaped bottle opener shown in FIG. 1, the only difference being the shape of the flame shield.

FIG. 8 is a bottom side plan view of the bottle opener shown in FIG. 7.

FIG. 9 is a right and a left side plan view, which are identical, of the bottle opener shown in FIG. 7.

FIG. 10 is a front side plan view of the bottle opener shown in FIG. 7.

FIG. 11 is a rear side plan view of the bottle opener shown in FIG. 7; and,

FIG. 12 is a top perspective view of the bottle opener shown in FIG. 7.

(56) **References Cited**

U.S. PATENT DOCUMENTS

D172,833 S	*	8/1954	Kaufman	D8/38
D267,521 S	*	1/1983	Mathieson	D8/43
D275,442 S	*	9/1984	Hayes	D8/18
4,967,622 A	*	11/1990	Philips	81/3.09

* cited by examiner

Primary Examiner—Caron D. Veynar
 (74) *Attorney, Agent, or Firm*—Rick Martin; Patent Law Offices of Rick Martin, P.C.

(57) **CLAIM**

The ornamental design for a lantern shaped bottle opener, as shown and described.

1 Claim, 2 Drawing Sheets

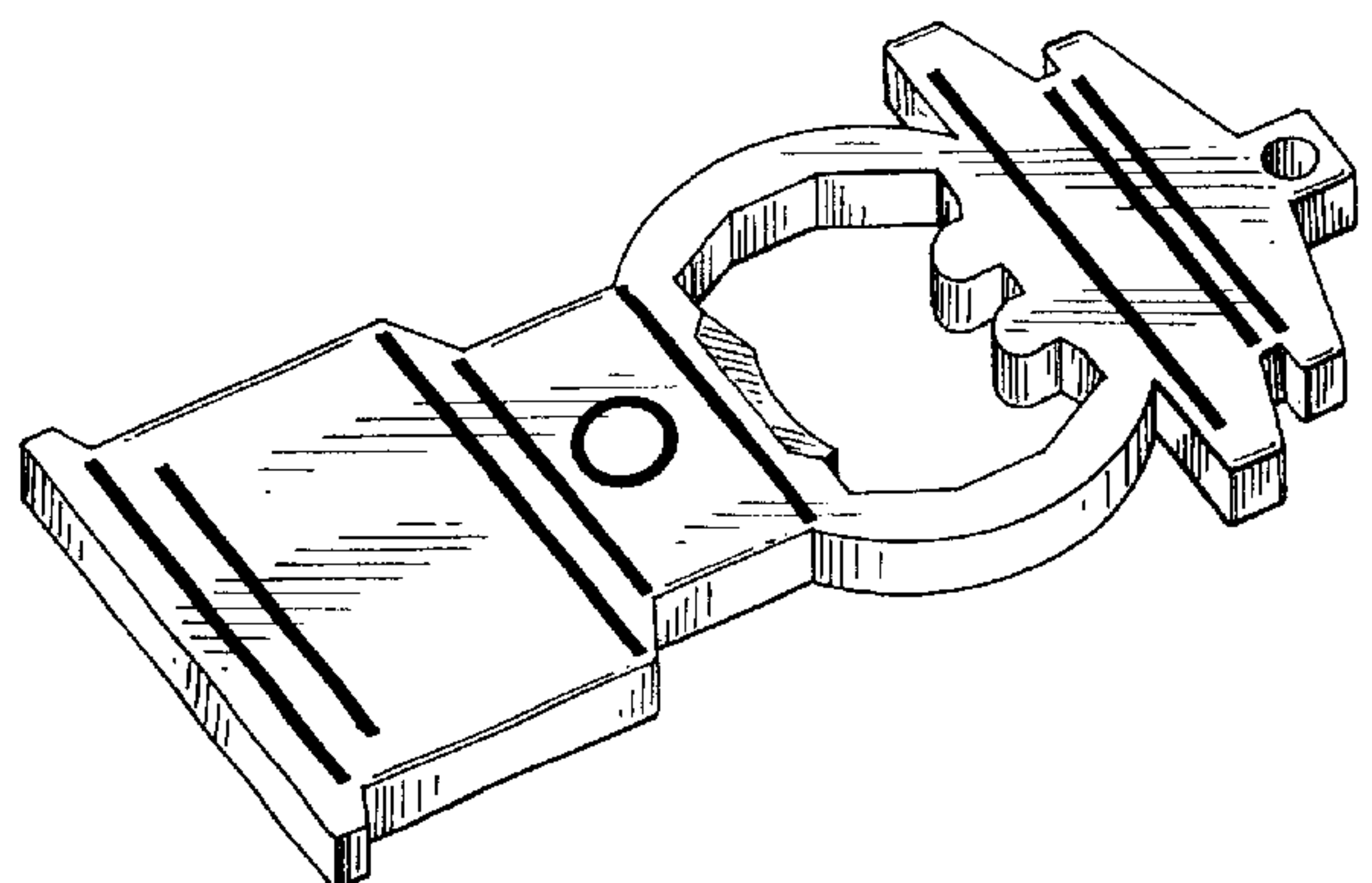
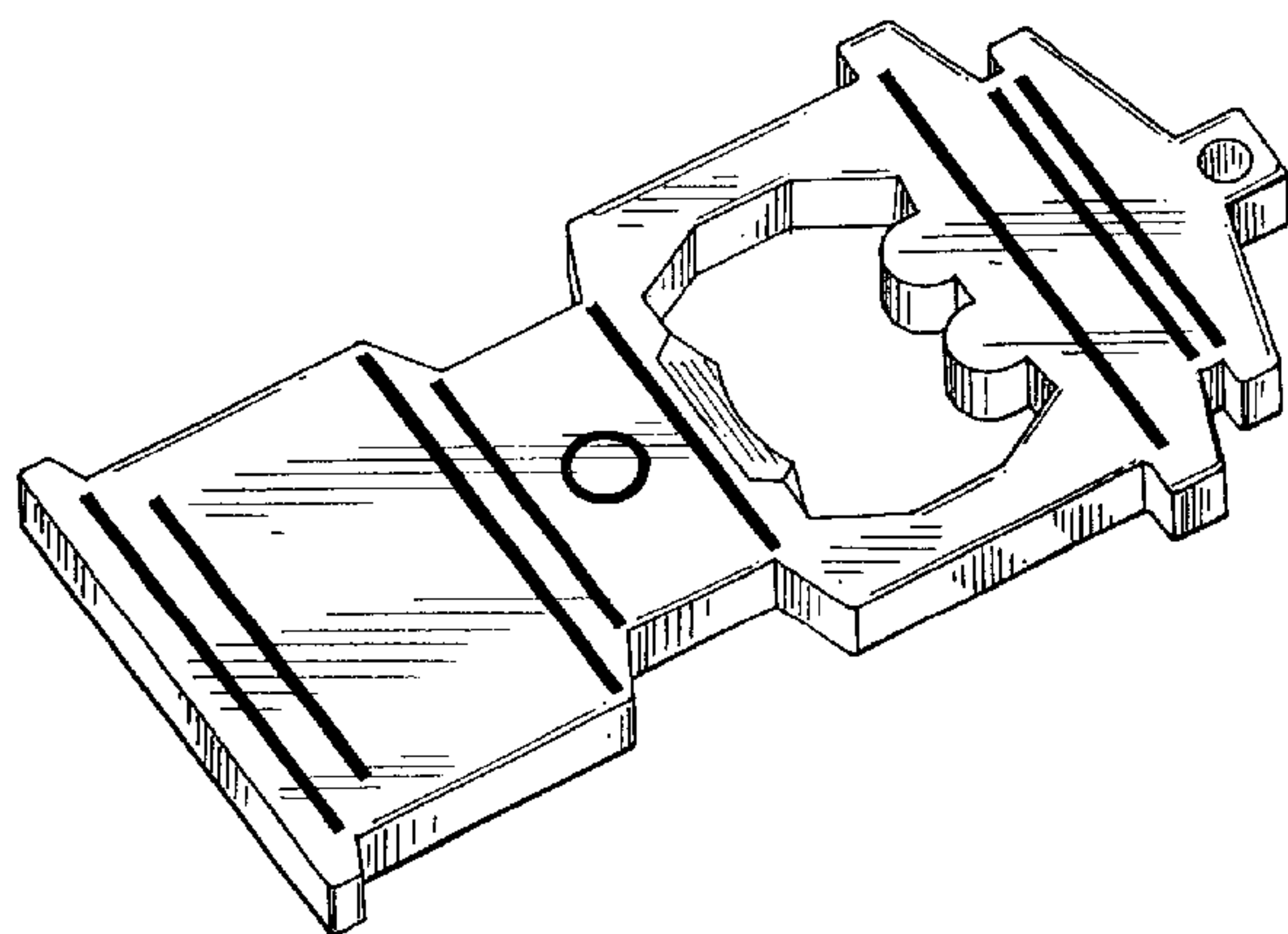




FIG. 4

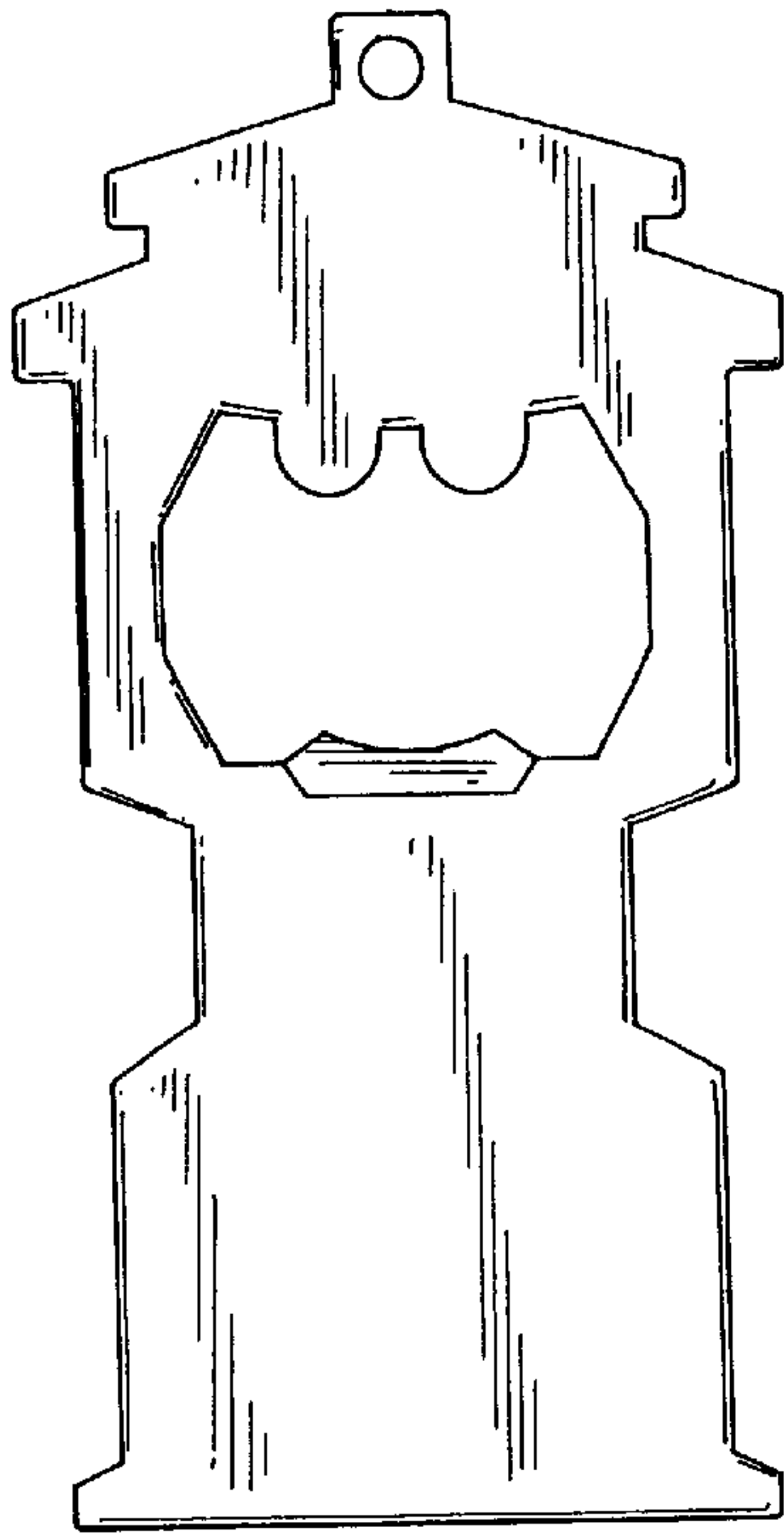


FIG. 2

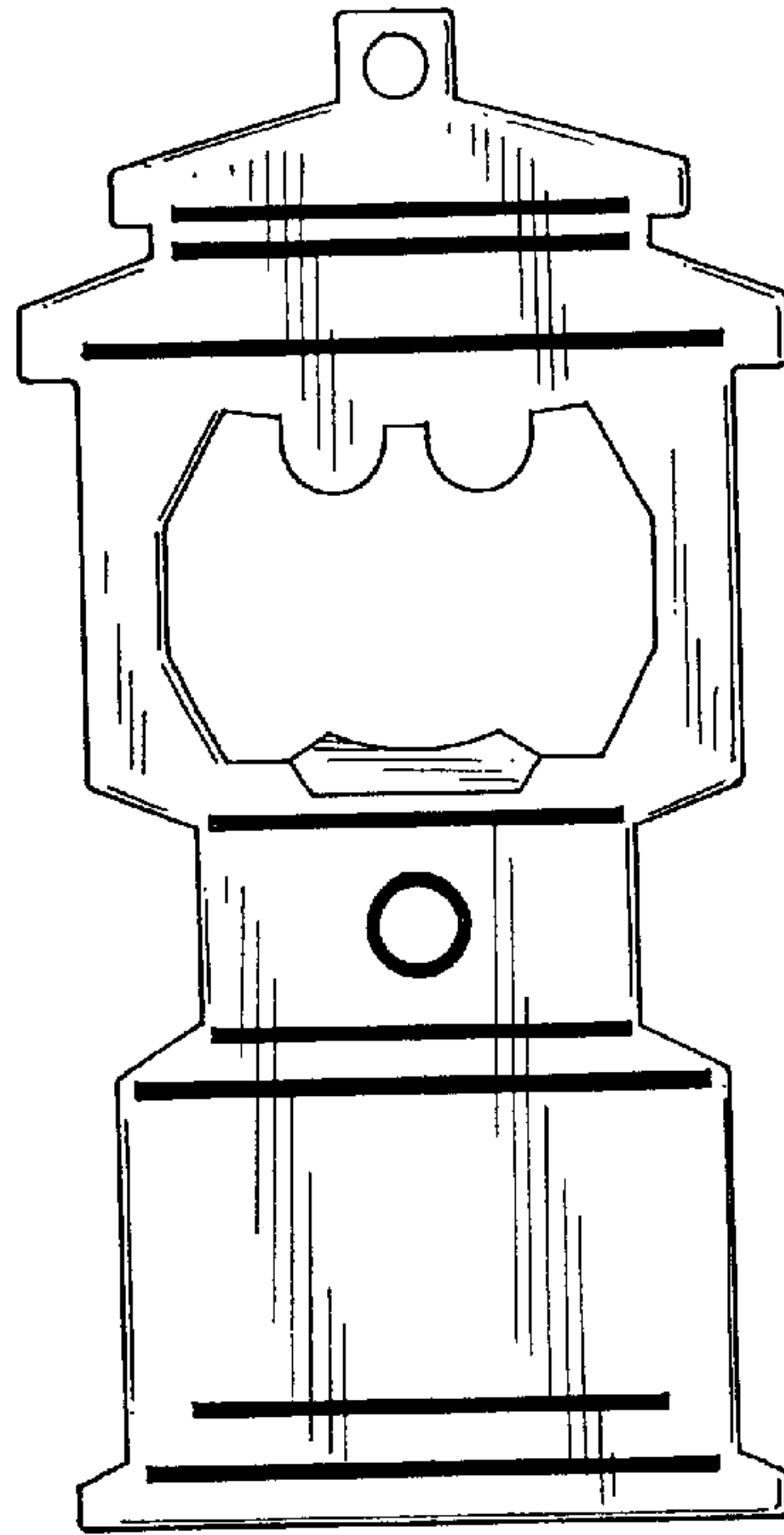


FIG. 1

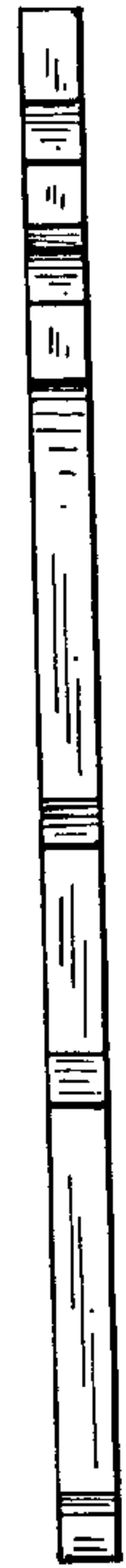


FIG. 3

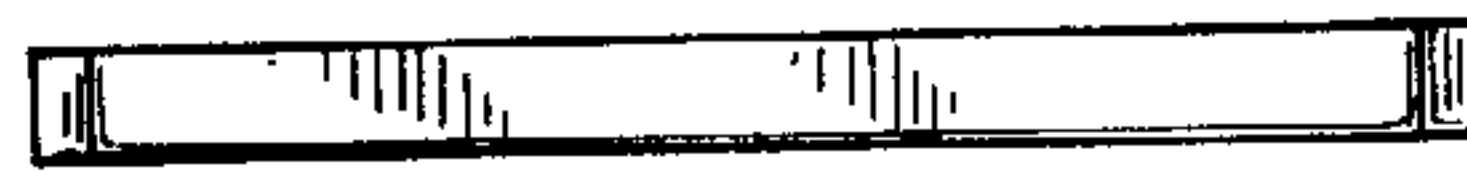


FIG. 5

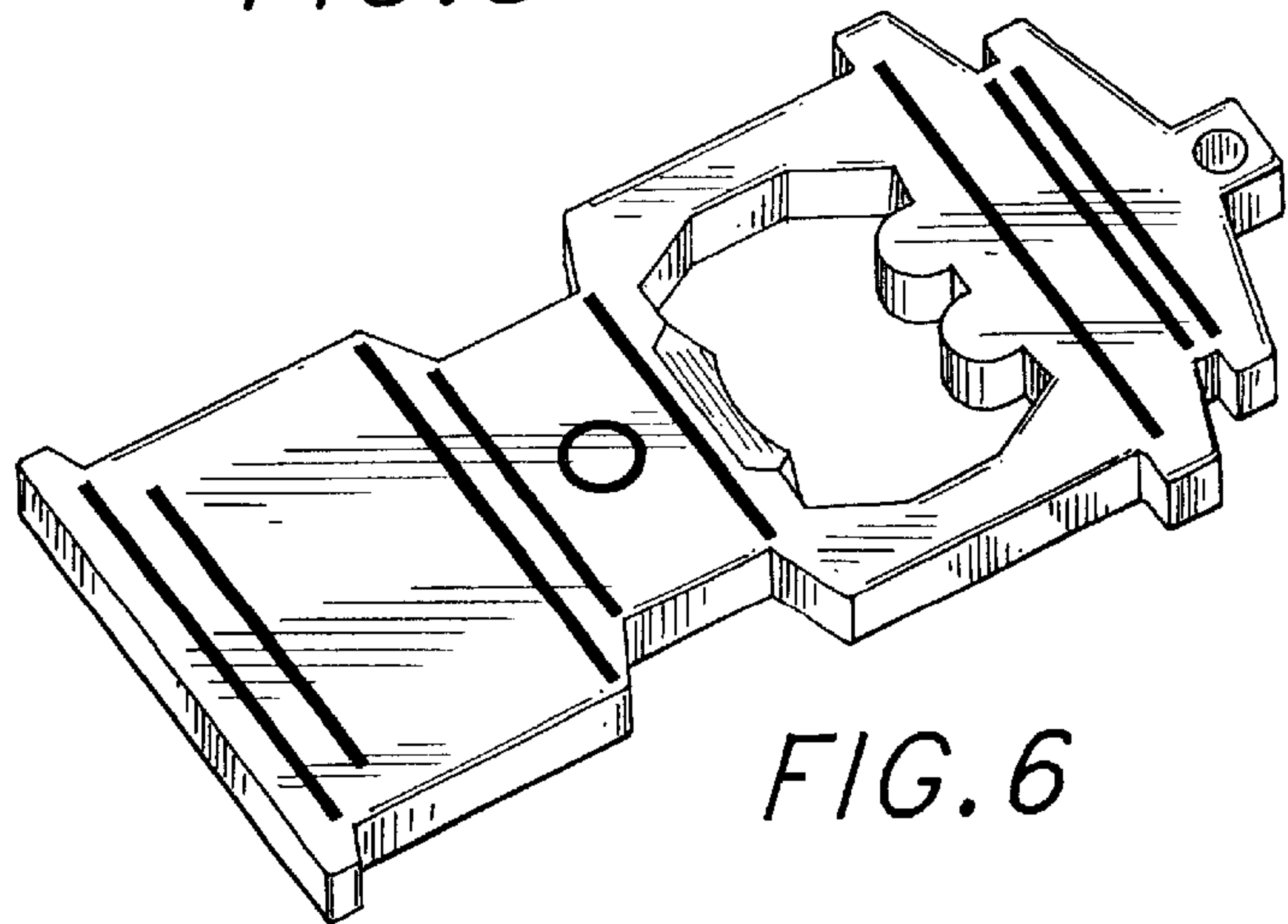


FIG. 6



FIG. 10

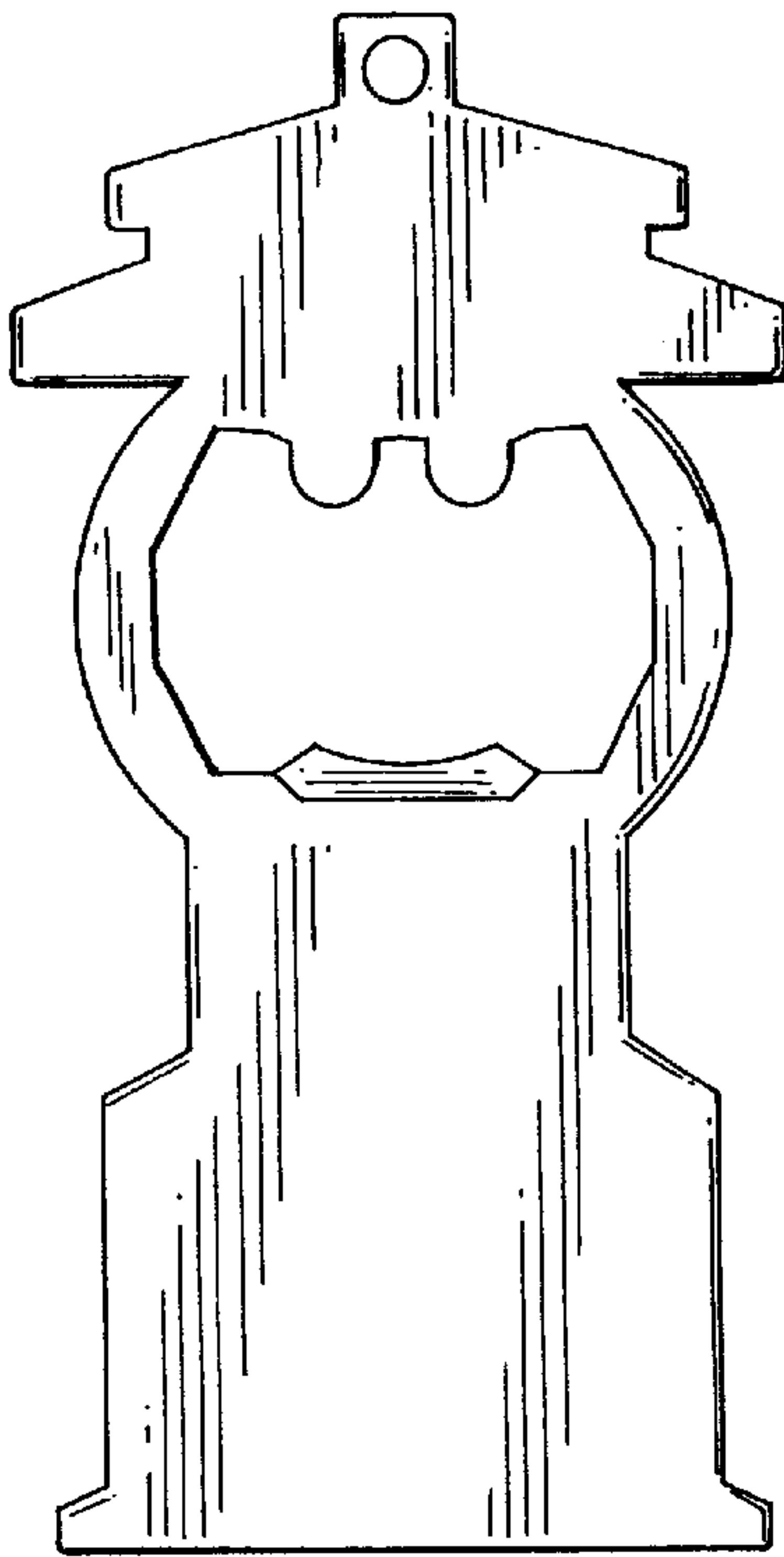


FIG. 8

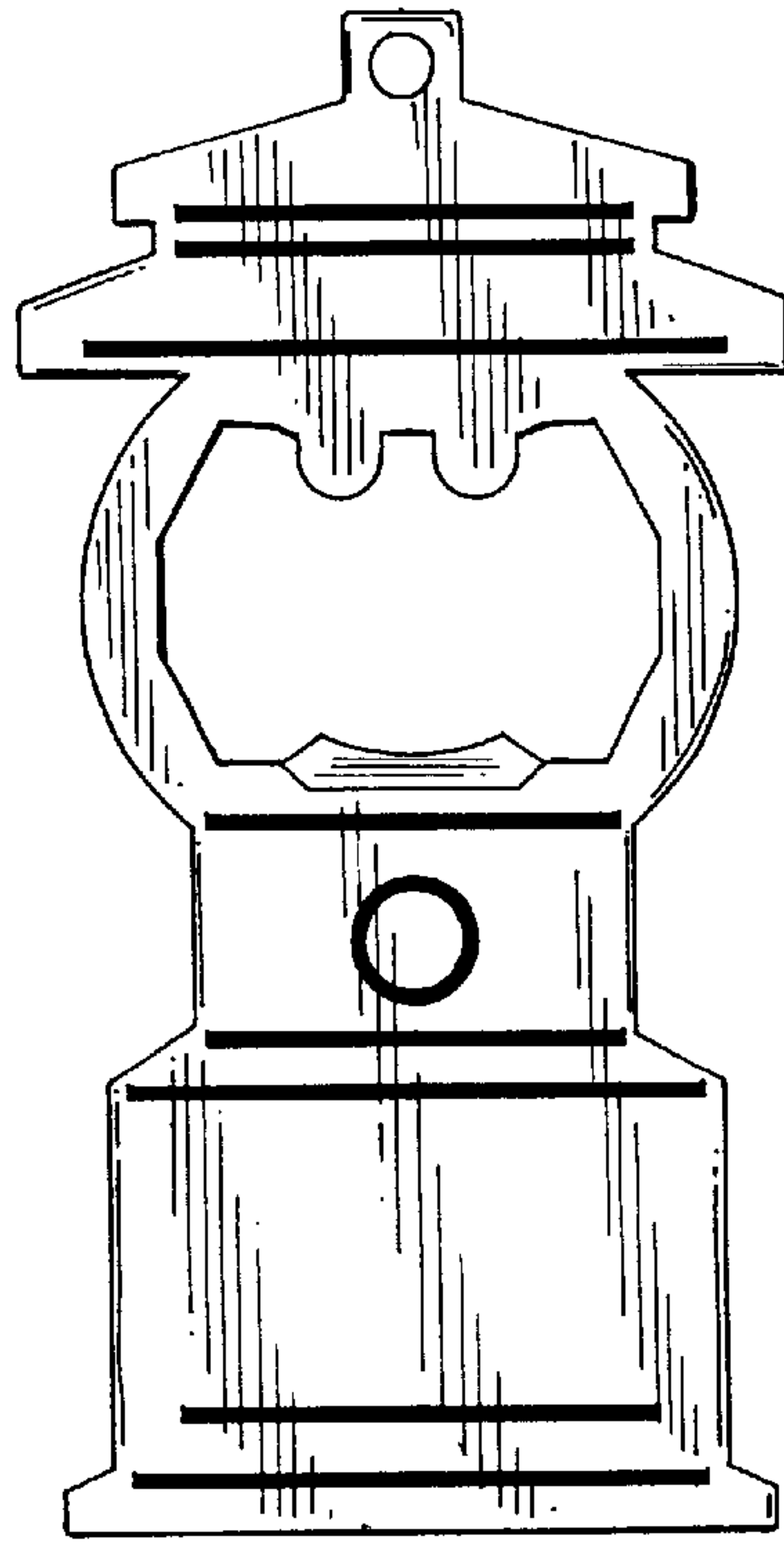


FIG. 7



FIG. 9

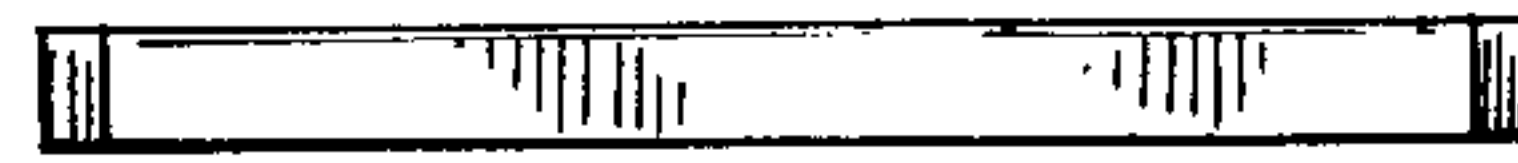


FIG. 11

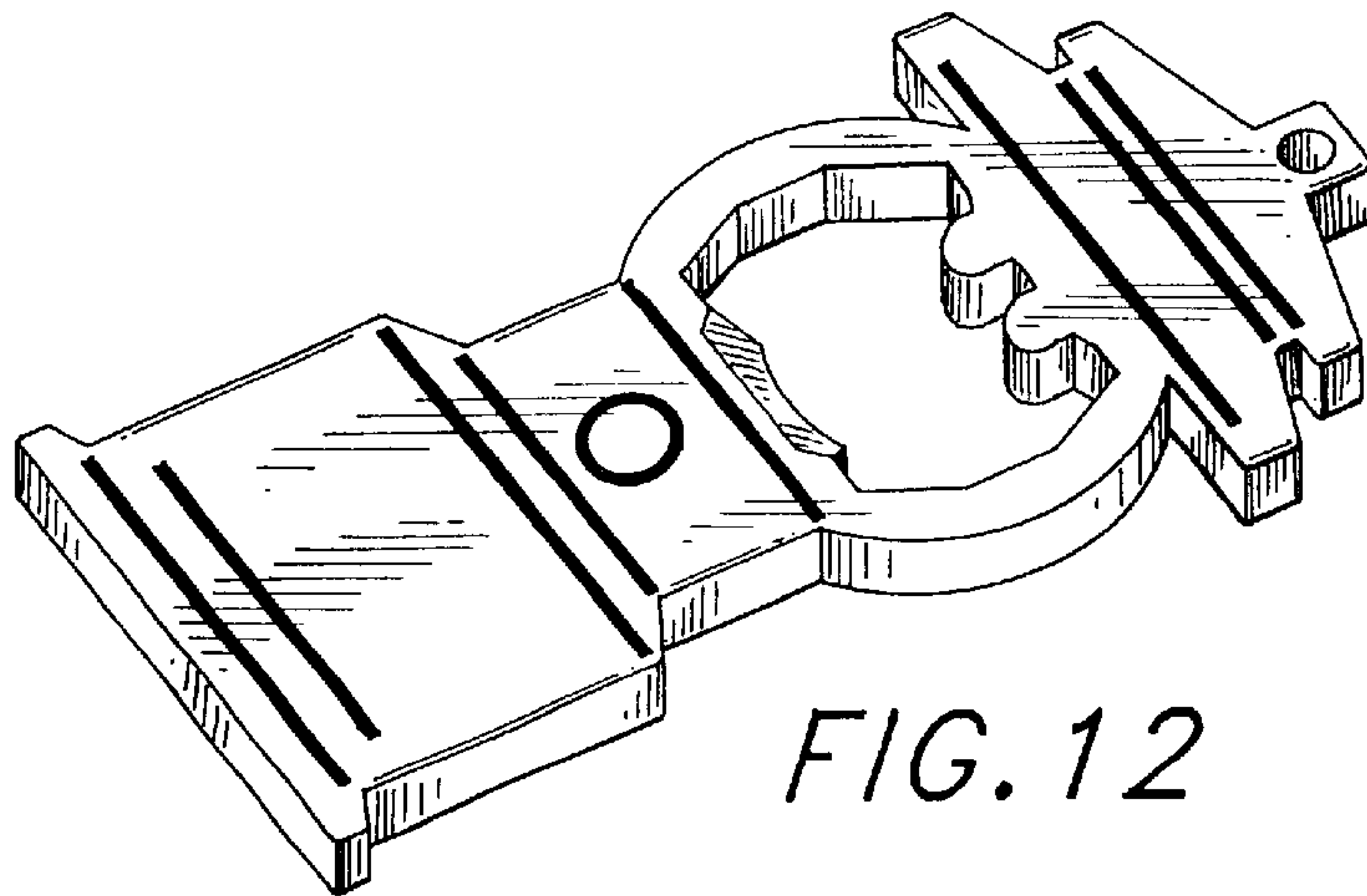


FIG. 12