



US00D453451S

(12) **United States Design Patent**  
**Yu**

(10) **Patent No.:** **US D453,451 S**

(45) **Date of Patent:** **\*\* Feb. 12, 2002**

(54) **COOKIE GUN**

D363,405 S \* 10/1995 Elliot ..... D7/669  
D369,283 S \* 4/1996 Finlay ..... D7/672

(75) Inventor: **Wing Sheung Yu, Kowloon (HK)**

\* cited by examiner

(73) Assignee: **Keysun Industrial Company Limited, Kowloon (HK)**

*Primary Examiner*—Terry A. Wallace

(74) *Attorney, Agent, or Firm*—Rabin & Berdo, P.C.

(\*\*) Term: **14 Years**

(57) **CLAIM**

(21) Appl. No.: **29/140,963**

The ornamental design for a cookie gun, as shown and described.

(22) Filed: **Apr. 30, 2001**

**DESCRIPTION**

(51) **LOC (7) Cl.** ..... **07-04**

(52) **U.S. Cl.** ..... **D7/699**

(58) **Field of Search** ..... D7/669, 672, 677;  
D8/14.1; 222/386, 391, 392, 256, 257,  
260, 325-327; 425/87, 183, 190, 191, 376.1

FIG. 1 is a perspective view of a cookie gun showing my new design;

FIG. 2 is a front view thereof;

FIG. 3 is a rear view thereof;

FIG. 4 is a left side view thereof;

FIG. 5 is a right view thereof;

FIG. 6 is a top view thereof; and,

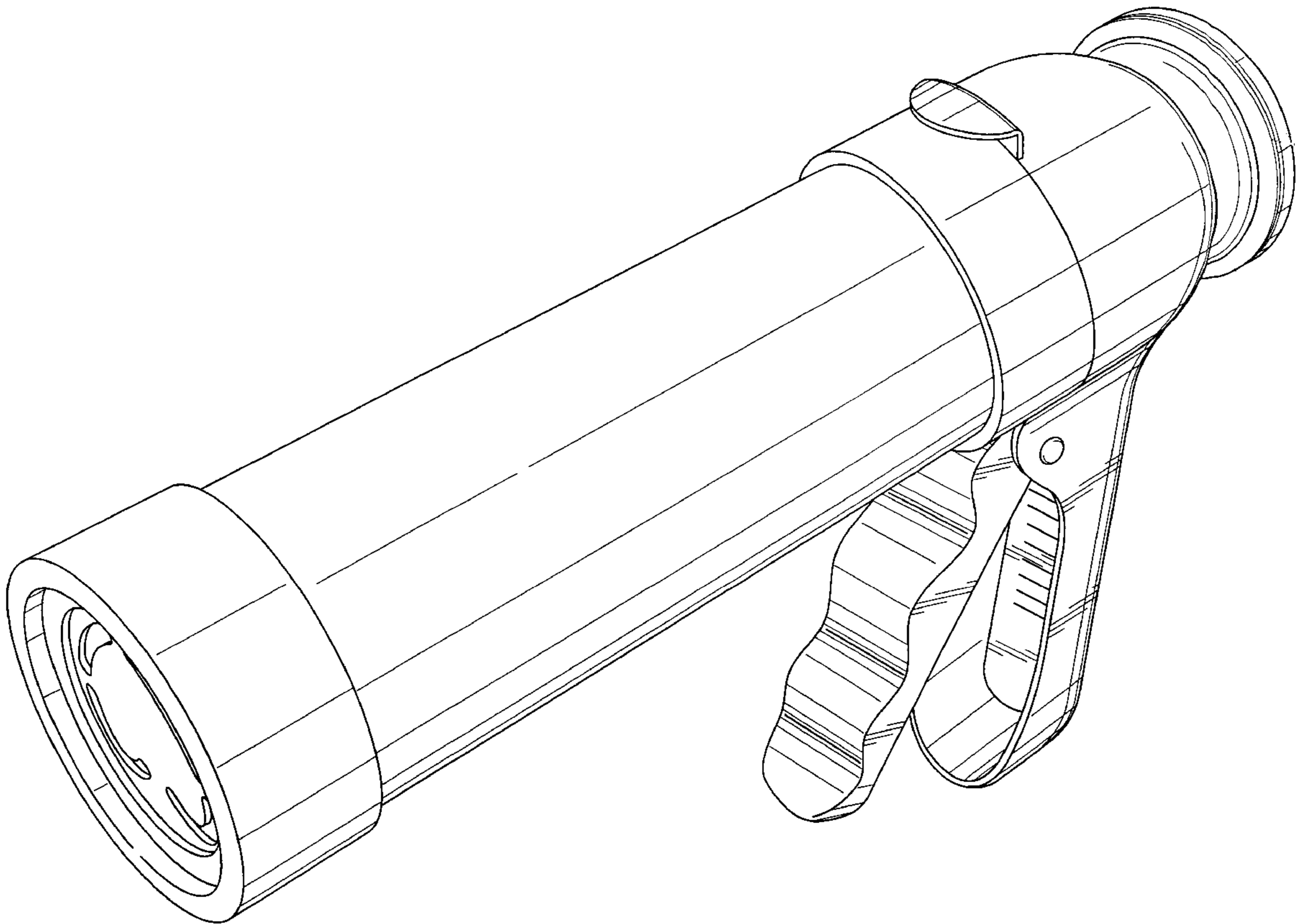
FIG. 7 is a bottom view thereof.

(56) **References Cited**

**U.S. PATENT DOCUMENTS**

2,634,692 A \* 4/1953 Sherbondy ..... 222/391 X  
4,330,070 A \* 5/1982 Doubleday ..... 222/391 X

**1 Claim, 5 Drawing Sheets**



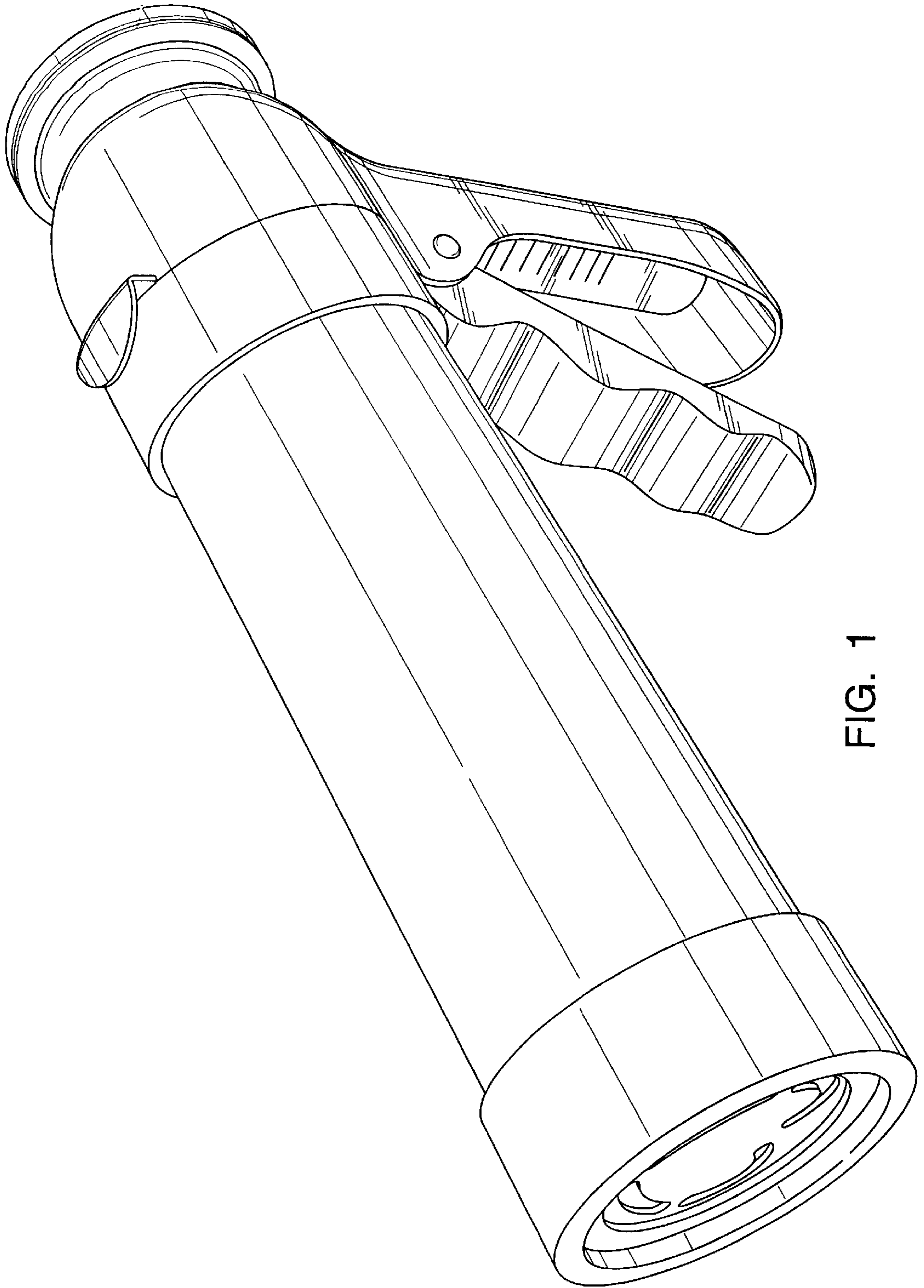


FIG. 1

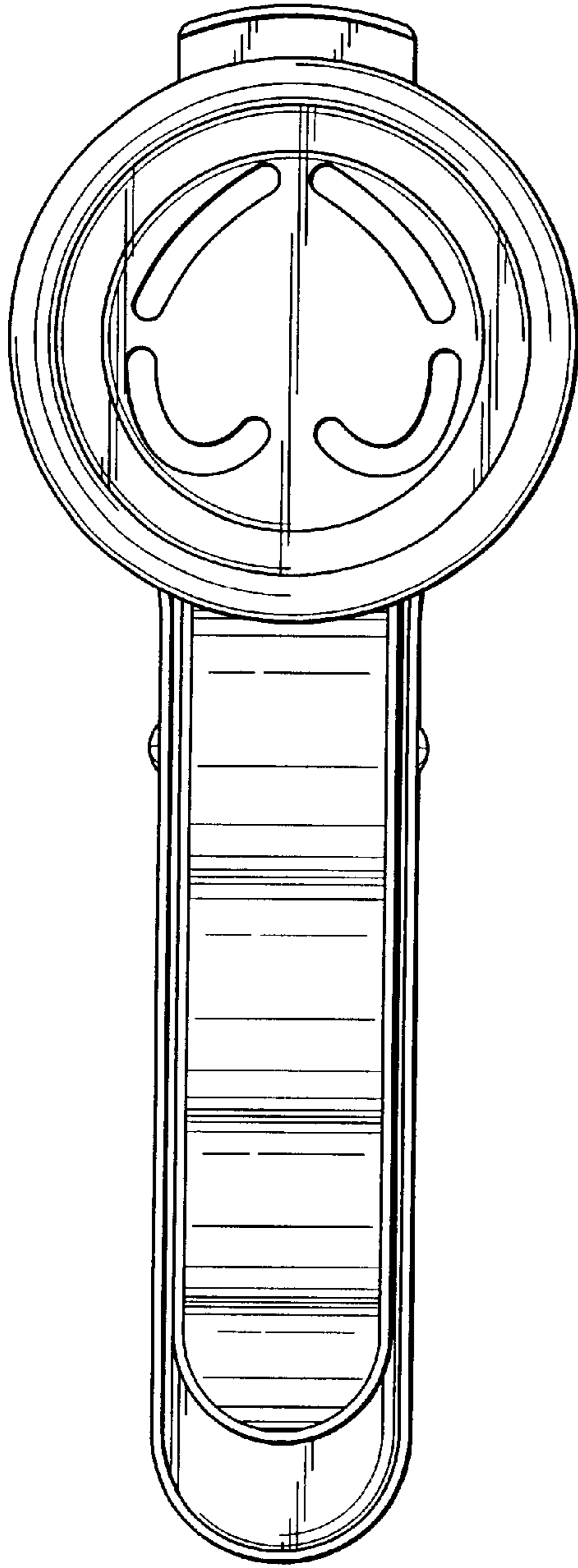


FIG. 2

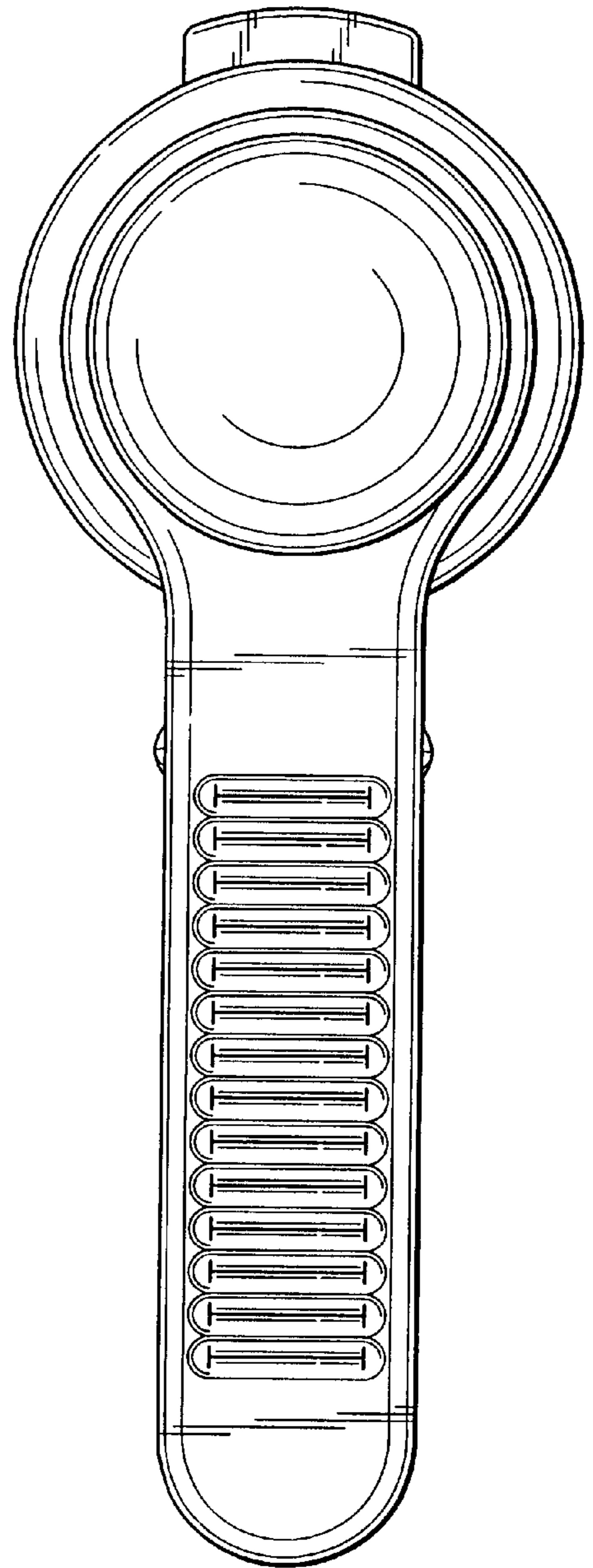


FIG. 3

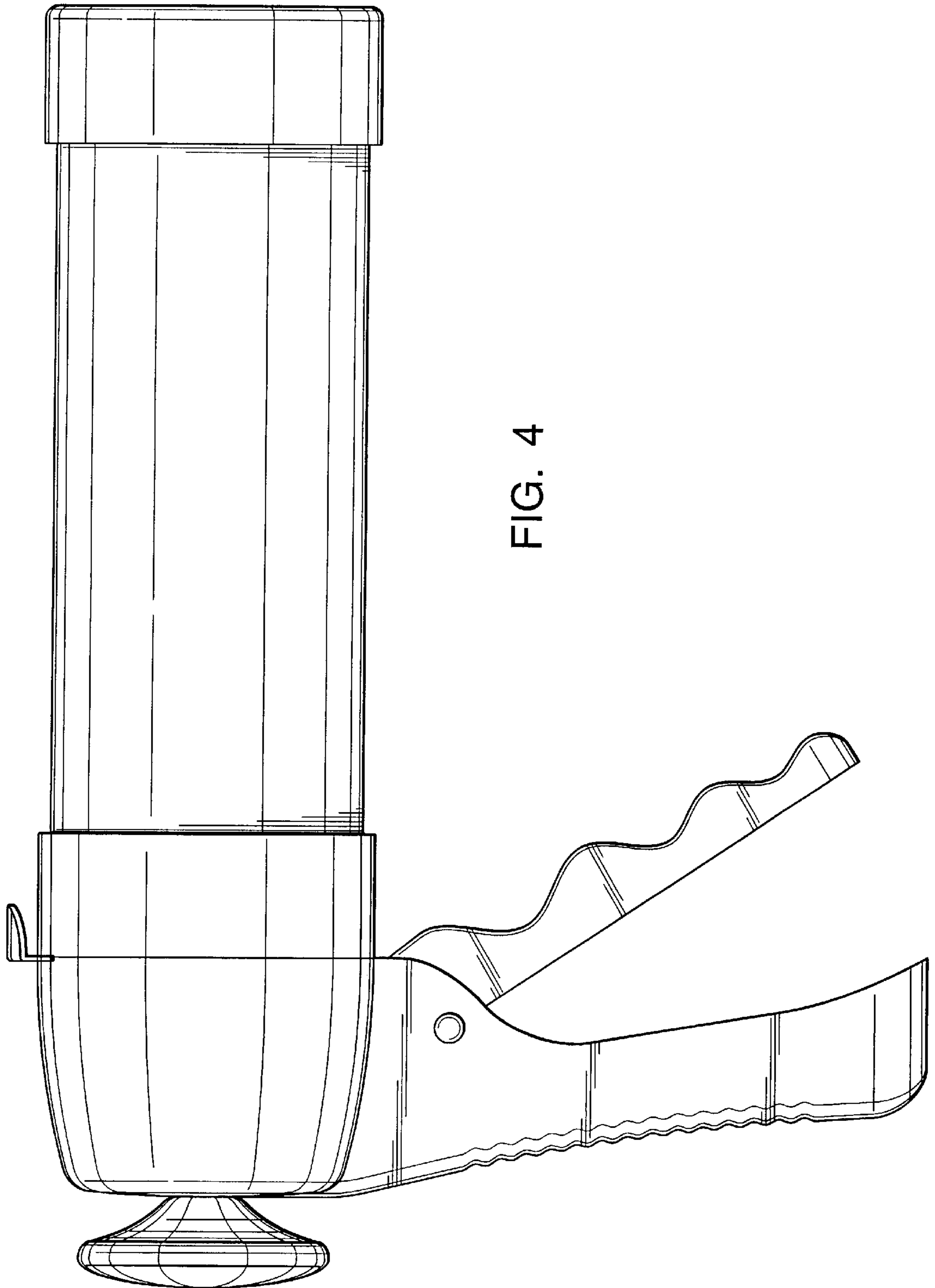


FIG. 4



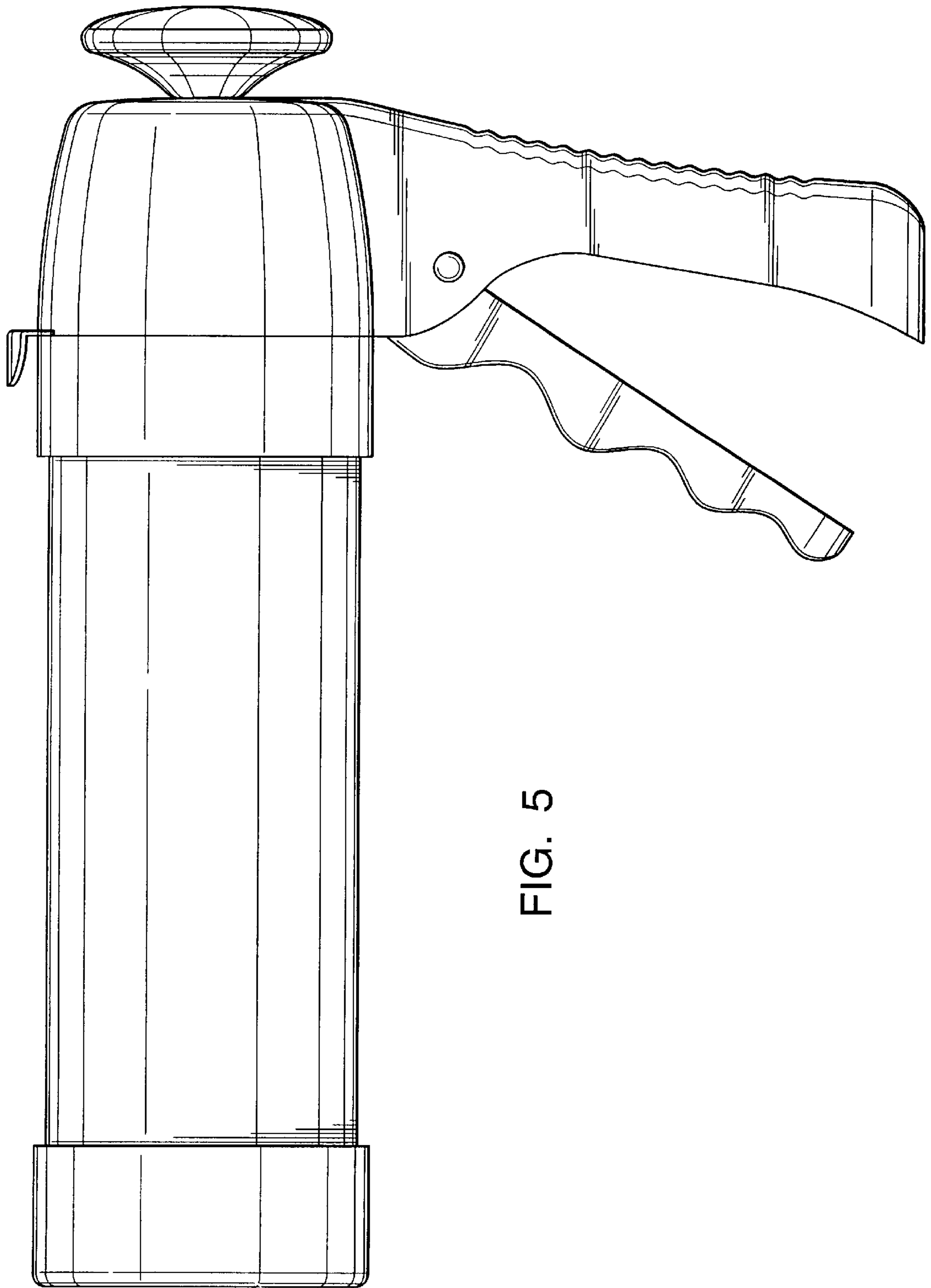


FIG. 5

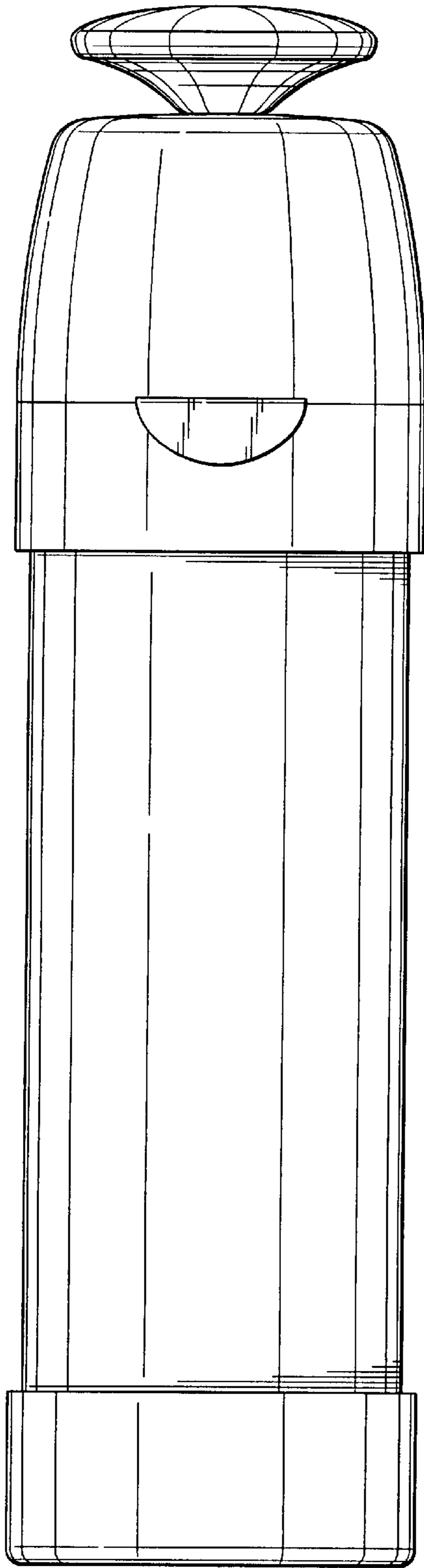


FIG. 6

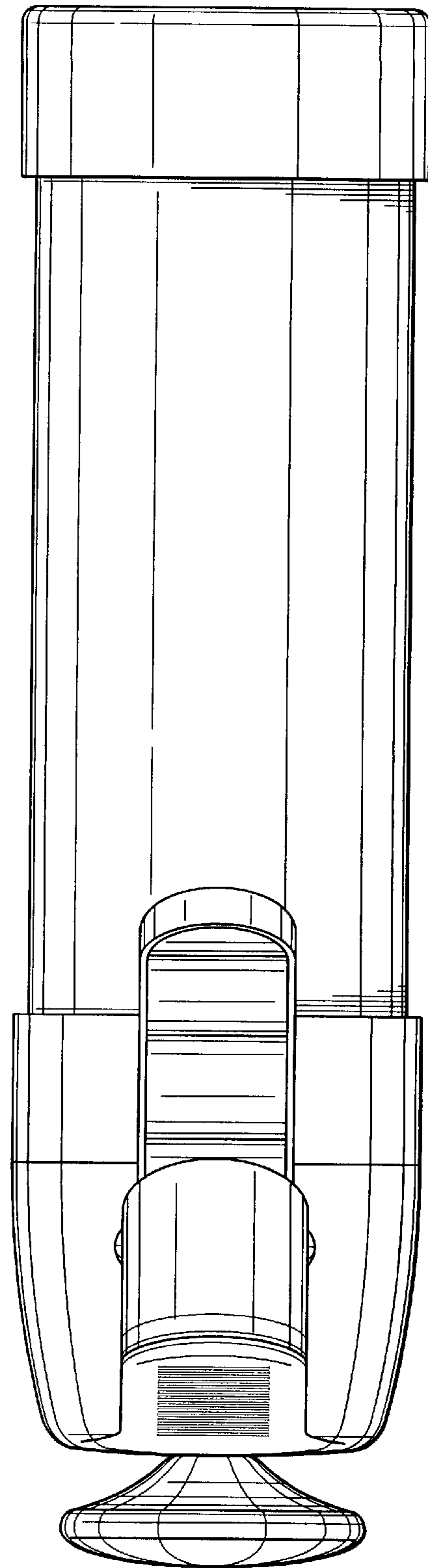


FIG. 7