



US00D453450S

(12) **United States Design Patent**  
**Drummond**

(10) **Patent No.:** **US D453,450 S**

(45) **Date of Patent:** **\*\* Feb. 12, 2002**

(54) **FRUIT PEELER**

(75) **Inventor:** **George Drummond**, 18521 Whirlaway Rd., Eagle River, AK (US) 99577

(73) **Assignee:** **George Drummond**, Eagle River, AK (US)

(\*\*) **Term:** **14 Years**

(21) **Appl. No.:** **29/136,051**

(22) **Filed:** **Jan. 23, 2001**

(51) **LOC (7) Cl.** ..... **07-04**

(52) **U.S. Cl.** ..... **D7/693**

(58) **Field of Search** ..... D7/693; D30/158, D30/159; 30/115, 123.5, 123.6, 123.7

(56) **References Cited**

**U.S. PATENT DOCUMENTS**

D23,872 S \* 12/1894 Kellogg ..... D30/159  
1,850,438 A \* 3/1932 Yaw ..... D7/393 X  
2,092,878 A \* 9/1937 Hess ..... D7/692 X

2,912,787 A \* 11/1959 Knight ..... D7/693 X  
D267,075 S \* 11/1982 Wadstrom ..... D7/395 X  
5,533,442 A \* 7/1996 Tateno ..... 30/123.5

\* cited by examiner

*Primary Examiner*—Terry A. Wallace

(74) *Attorney, Agent, or Firm*—Skjerven Morrill MacPherson LLP; David W. Heid

(57) **CLAIM**

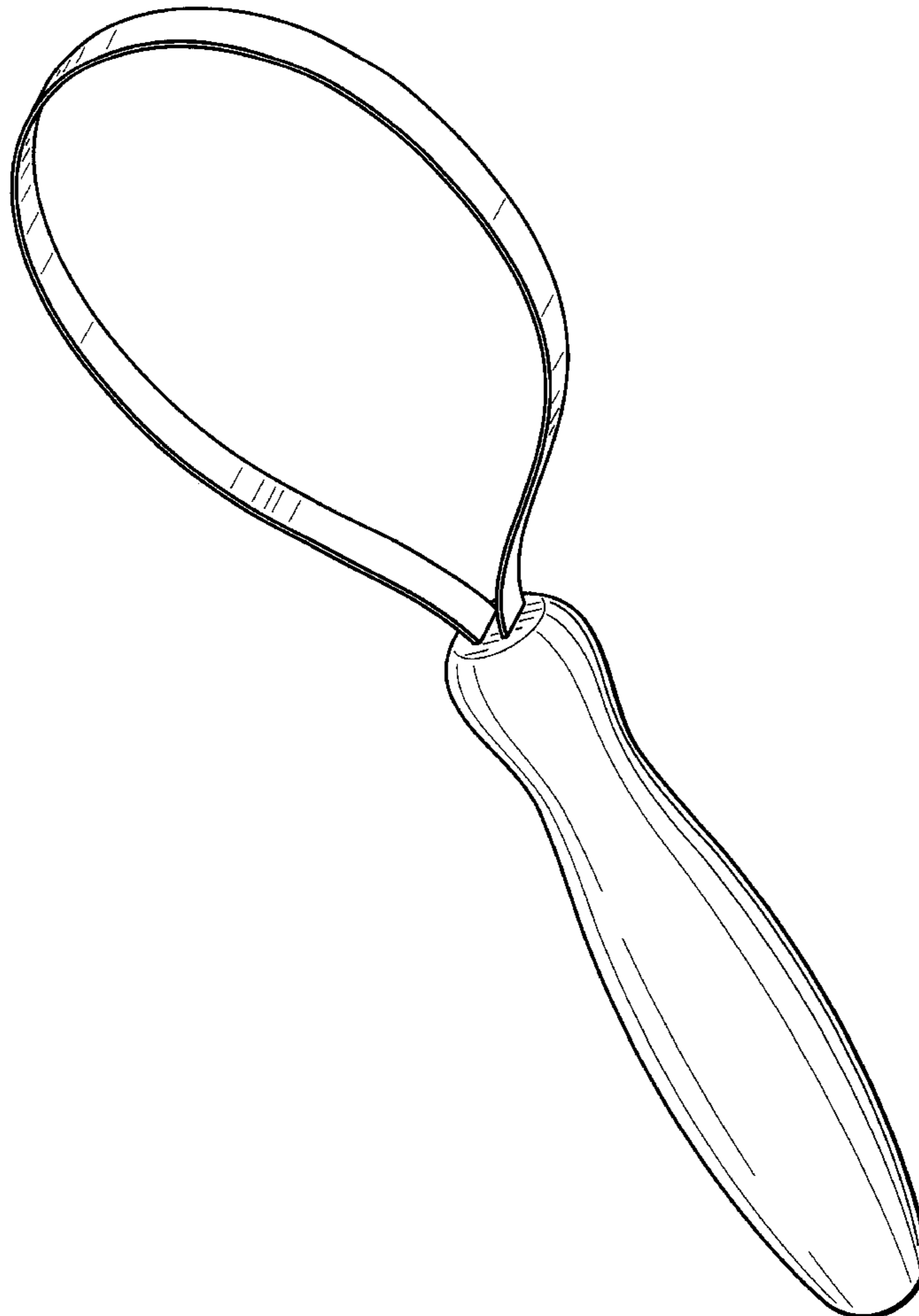
I claim the ornamental design for a fruit peeler, as shown and described.

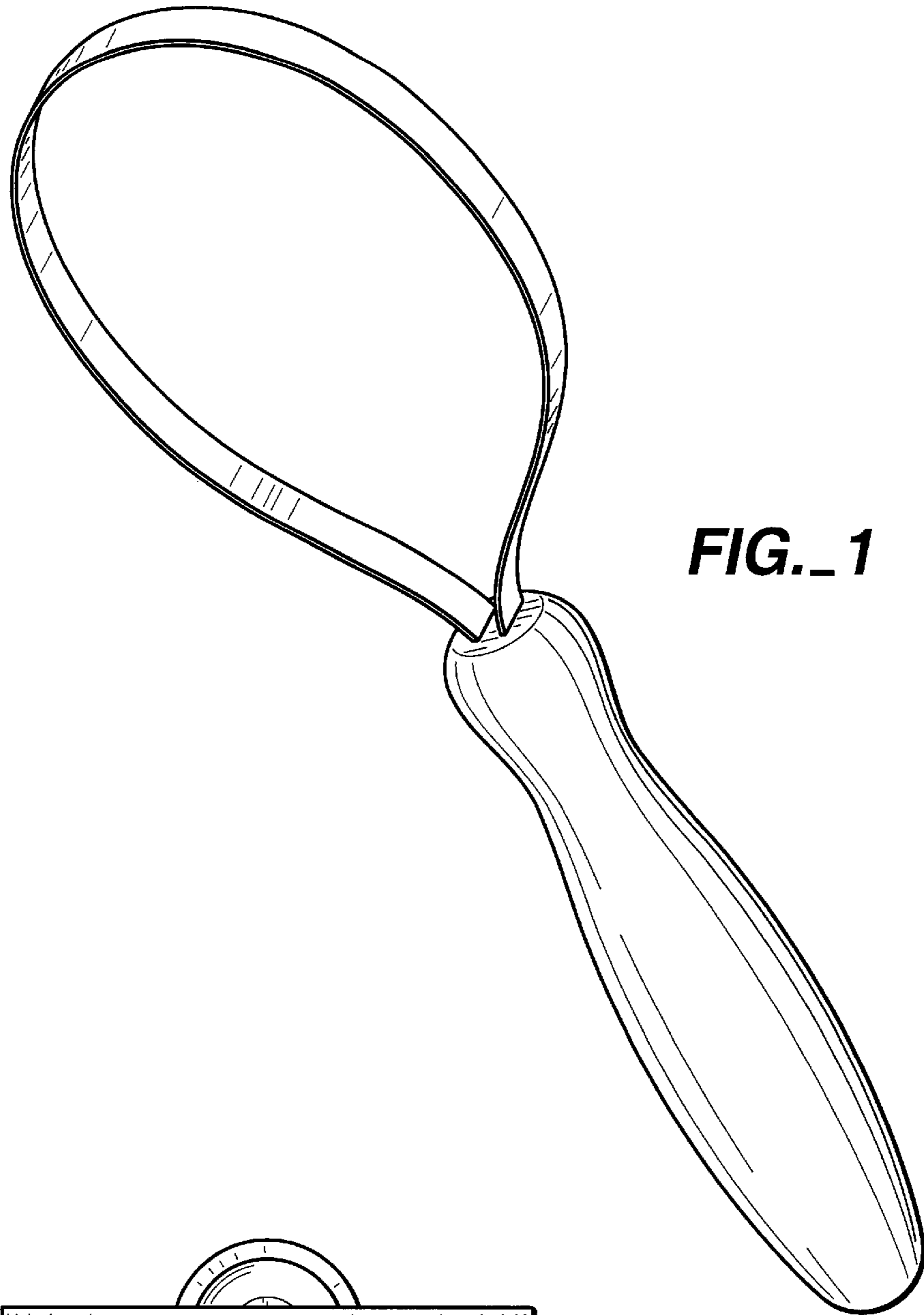
**DESCRIPTION**

This application relates to Disclosure Document No. 468452, which is entitled "Kitchen Gadget" and was received in the USPTO on Feb. 1, 2000.

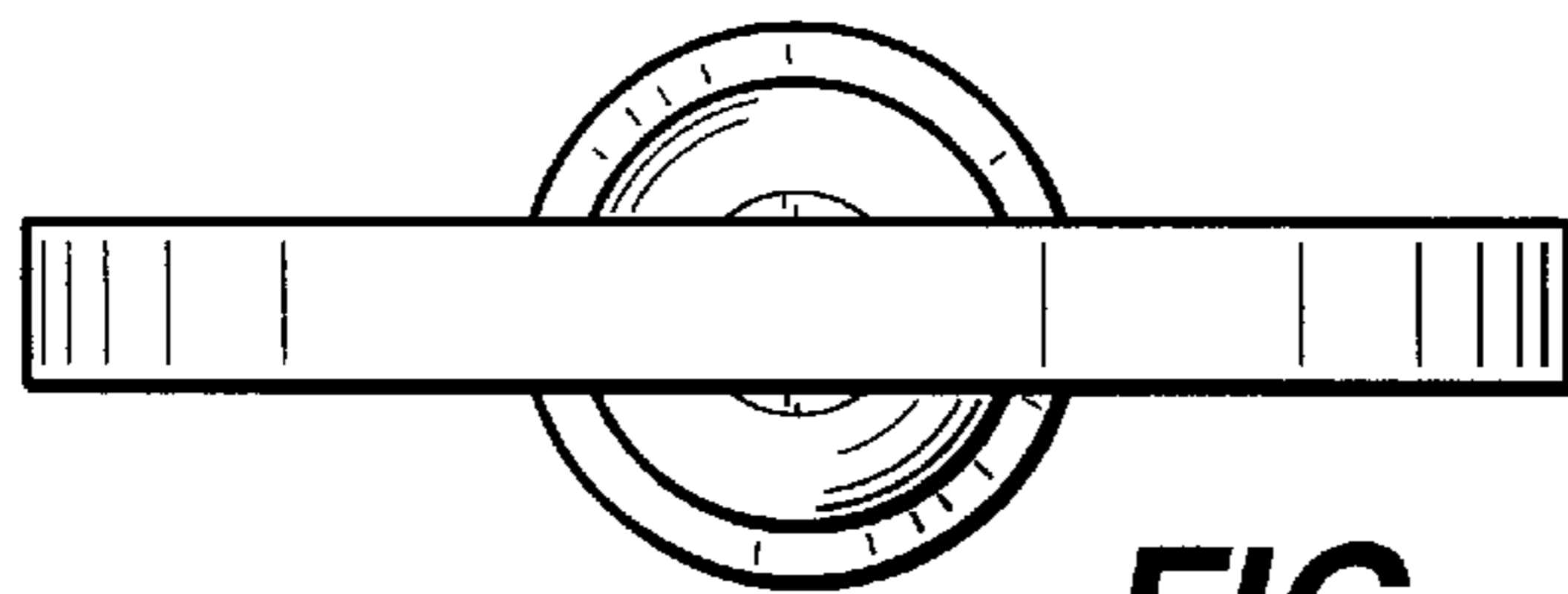
FIG. 1 is a perspective view;  
FIG. 2 is a front view; the back view is identical;  
FIG. 3 is a left side view; the right side view is identical;  
FIG. 4 is a top view; and,  
FIG. 5 is a bottom view.

**1 Claim, 2 Drawing Sheets**

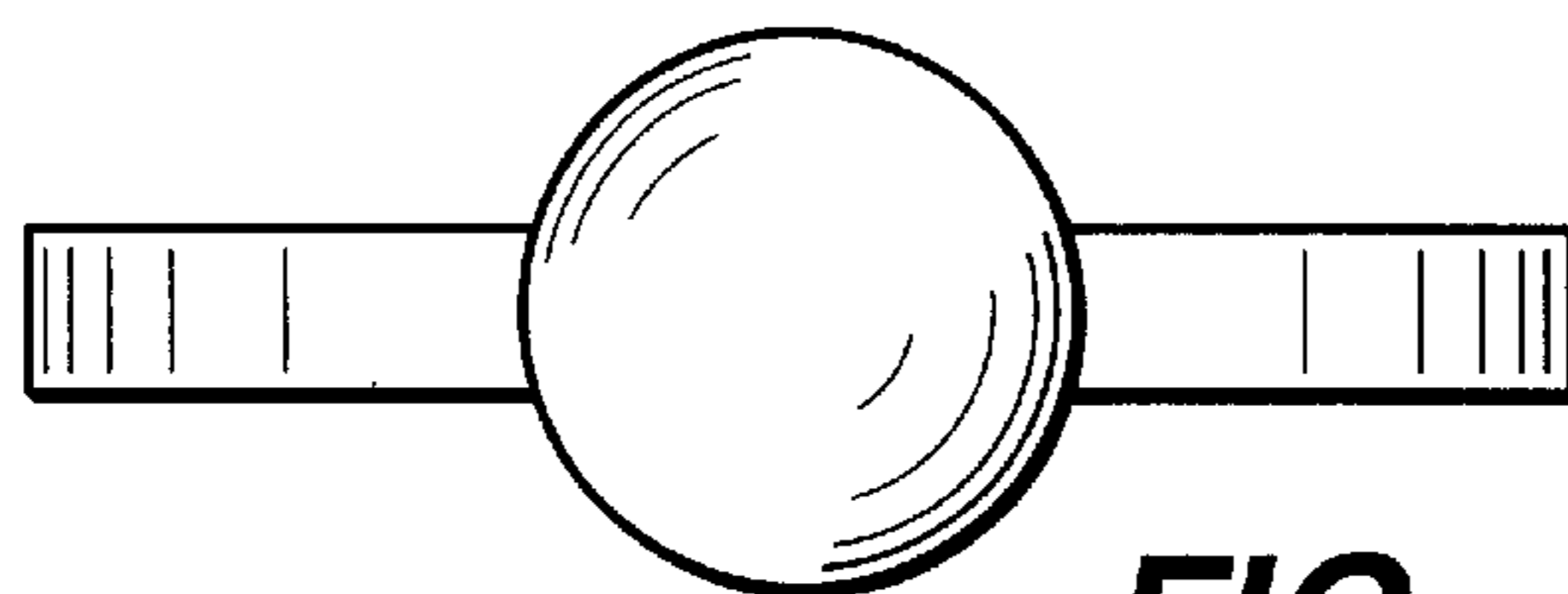




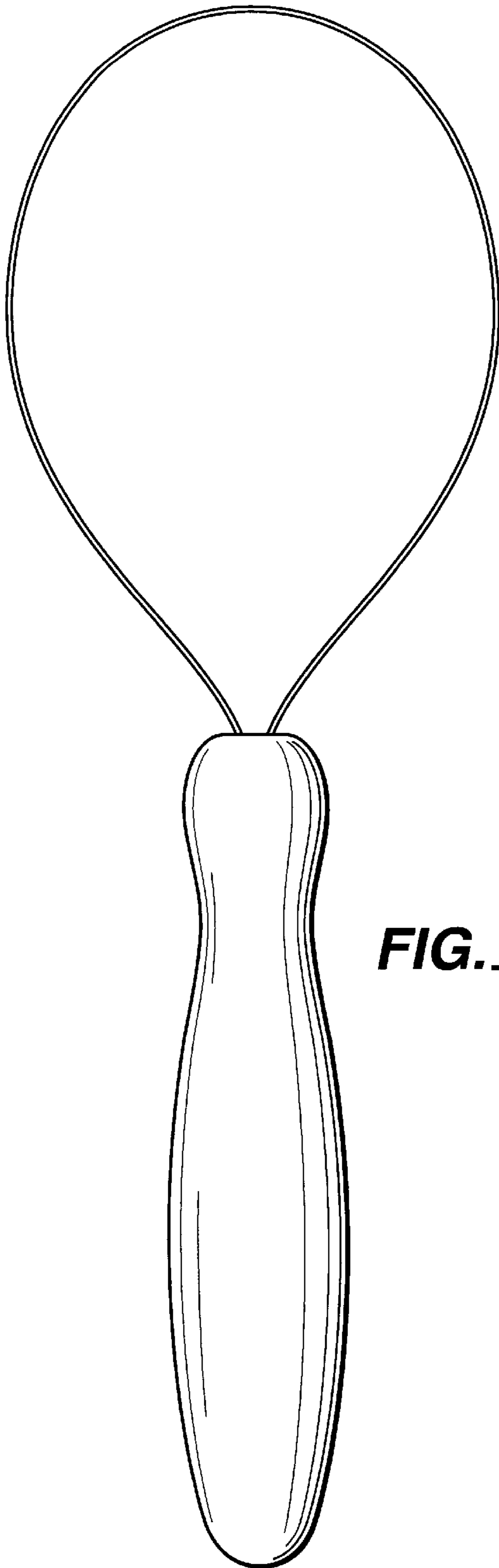
**FIG.\_1**



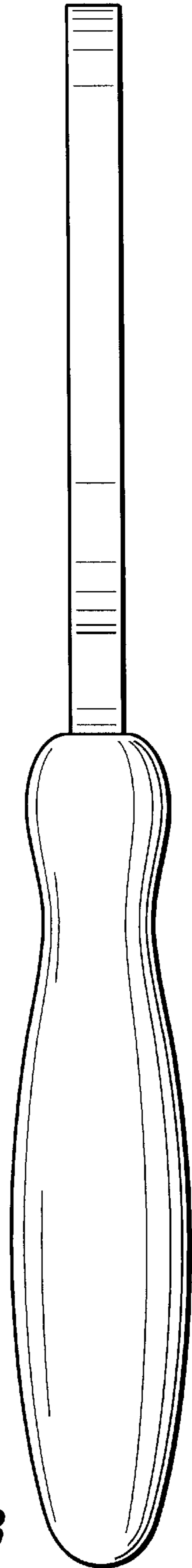
**FIG.\_4**



**FIG.\_5**



**FIG. 2**



**FIG. 3**