



US00D453443S

(12) **United States Design Patent**  
**Hoare et al.**

(10) **Patent No.:** **US D453,443 S**

(45) **Date of Patent:** **\*\* Feb. 12, 2002**

(54) **FOOD PROCESSING APPARATUS**

D373,504 S \* 9/1996 Leverrier ..... D7/378

D387,948 S \* 12/1997 Leverrier ..... D7/378

D412,809 S \* 8/1999 Toro et al. .... D7/378

(75) Inventors: **Richard Lehonde Hoare**, Campsie;  
**Ian James Allan**, Darlinghurst, both of  
(AU)

\* cited by examiner

(73) Assignee: **Sunbeam Corporation Limited**,  
Campsie (AU)

*Primary Examiner*—Caron D. Veynar

(74) *Attorney, Agent, or Firm*—Frommer Lawrence &  
Haug LLP; William S. Frommer

(\*\*) Term: **14 Years**

(57) **CLAIM**

(21) Appl. No.: **29/130,568**

The ornamental design for “a food processing apparatus”, as shown.

(22) Filed: **Oct. 4, 2000**

(30) **Foreign Application Priority Data**

**DESCRIPTION**

Apr. 6, 2000 (AU) ..... 1116/00

FIG. 1 is a perspective view of a food processing apparatus showing our new design;

(51) **LOC (7) Cl.** ..... **31-00**

FIG. 2 is a front view thereof;

(52) **U.S. Cl.** ..... **D7/378**

FIG. 3 is a rear view thereof;

(58) **Field of Search** ..... D7/376–386; 366/197,  
366/199, 204, 241, 242, 251, 314; 241/33,  
101.01

FIG. 4 is a right side view thereof;

FIG. 5 is left side view thereof;

FIG. 6 is a top view thereof; and,

FIG. 7 is a bottom view thereof.

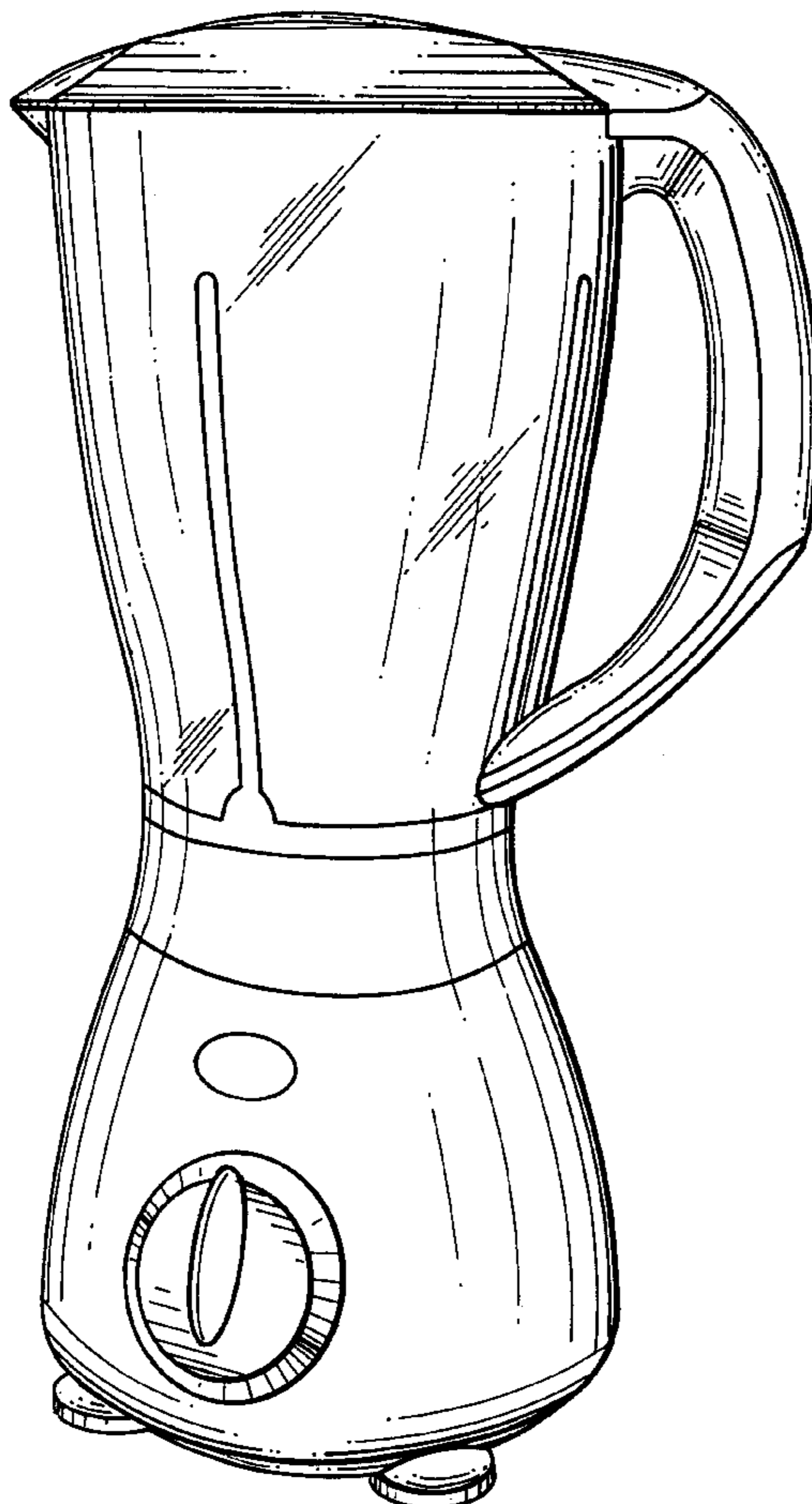
(56) **References Cited**

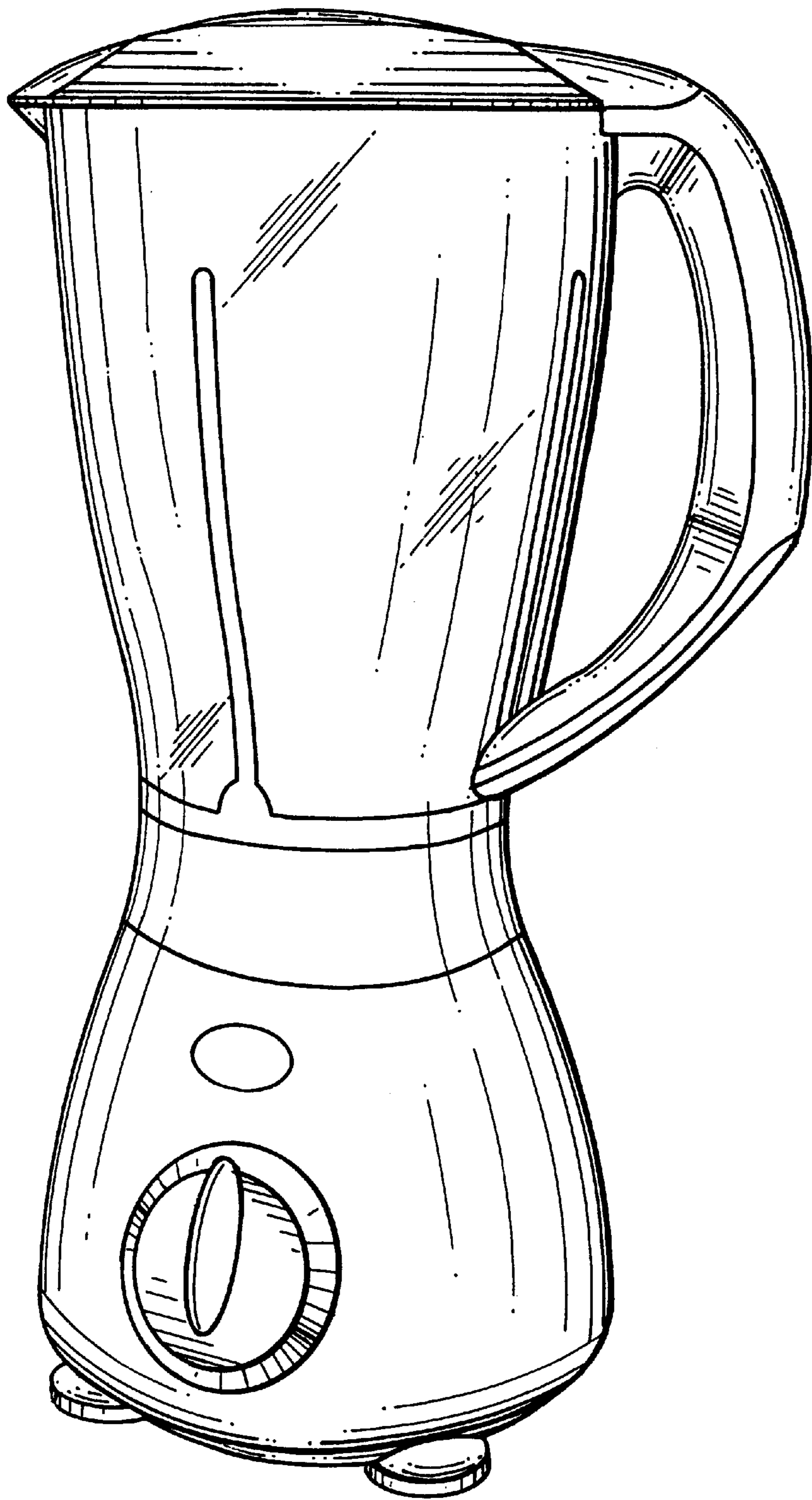
The broken lines shown in FIGS. 6 and 7 are for illustrative purposes only and form no part of the claimed design.

**U.S. PATENT DOCUMENTS**

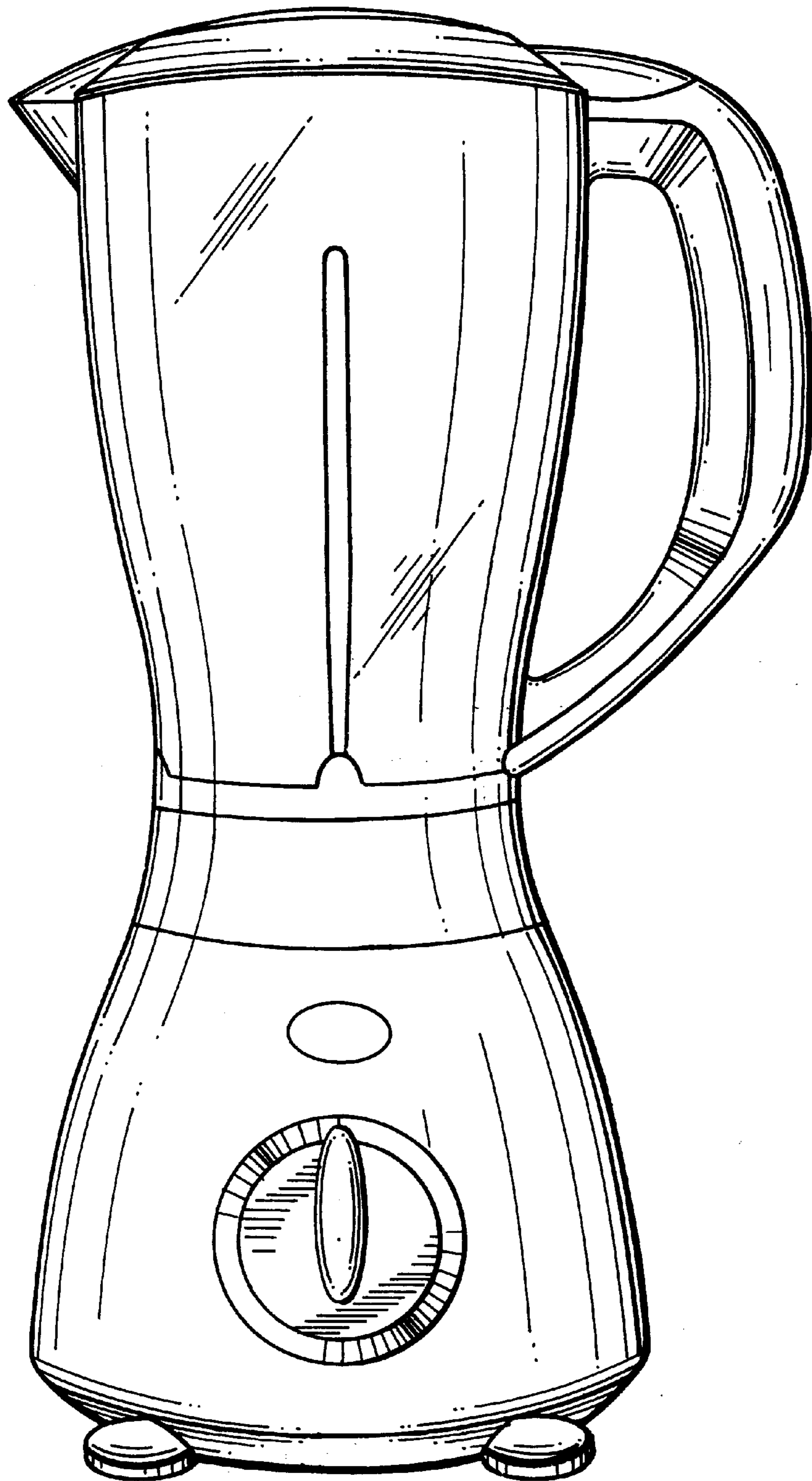
D213,938 S \* 4/1969 Morris ..... D7/378

**1 Claim, 7 Drawing Sheets**

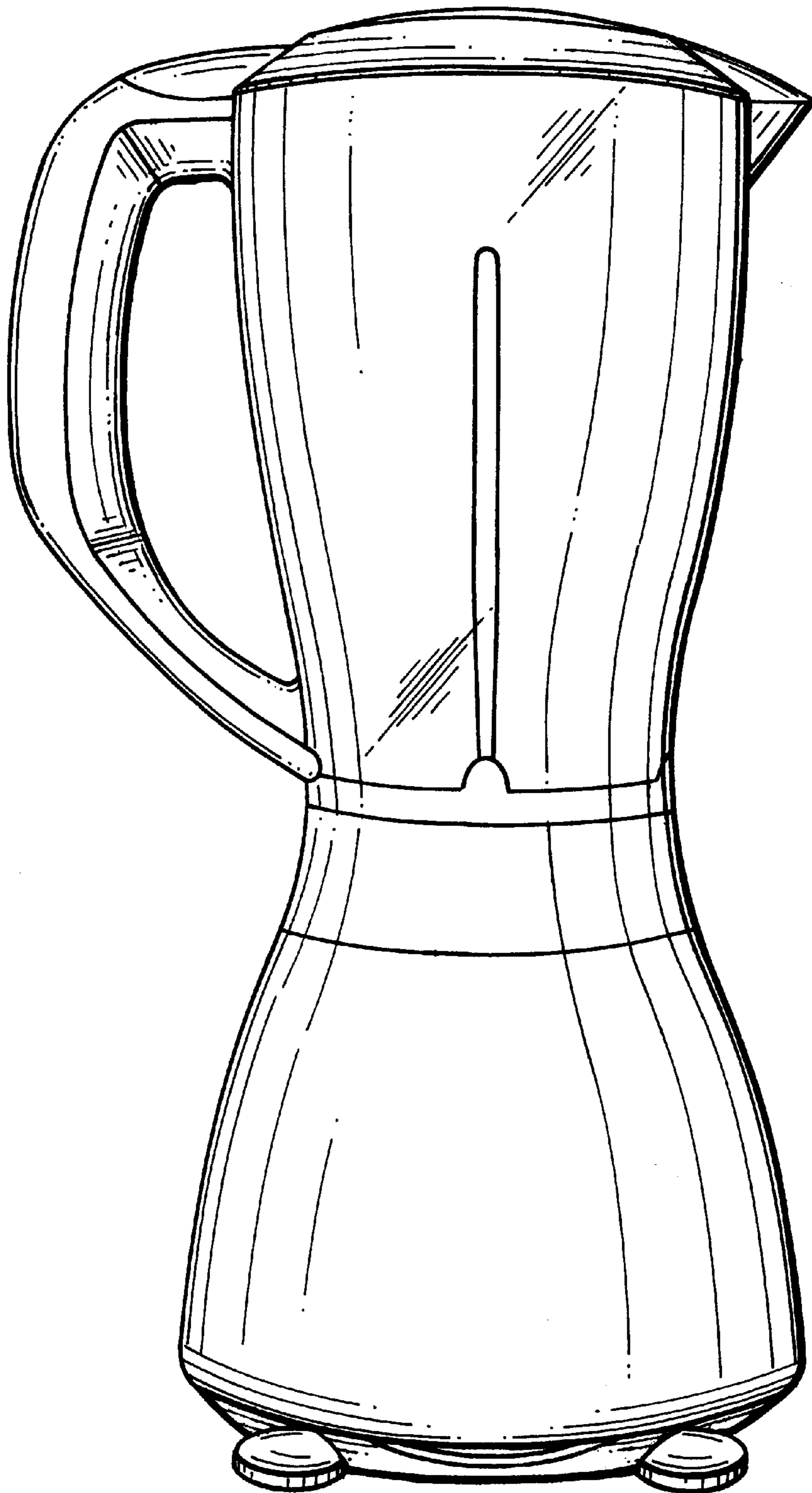




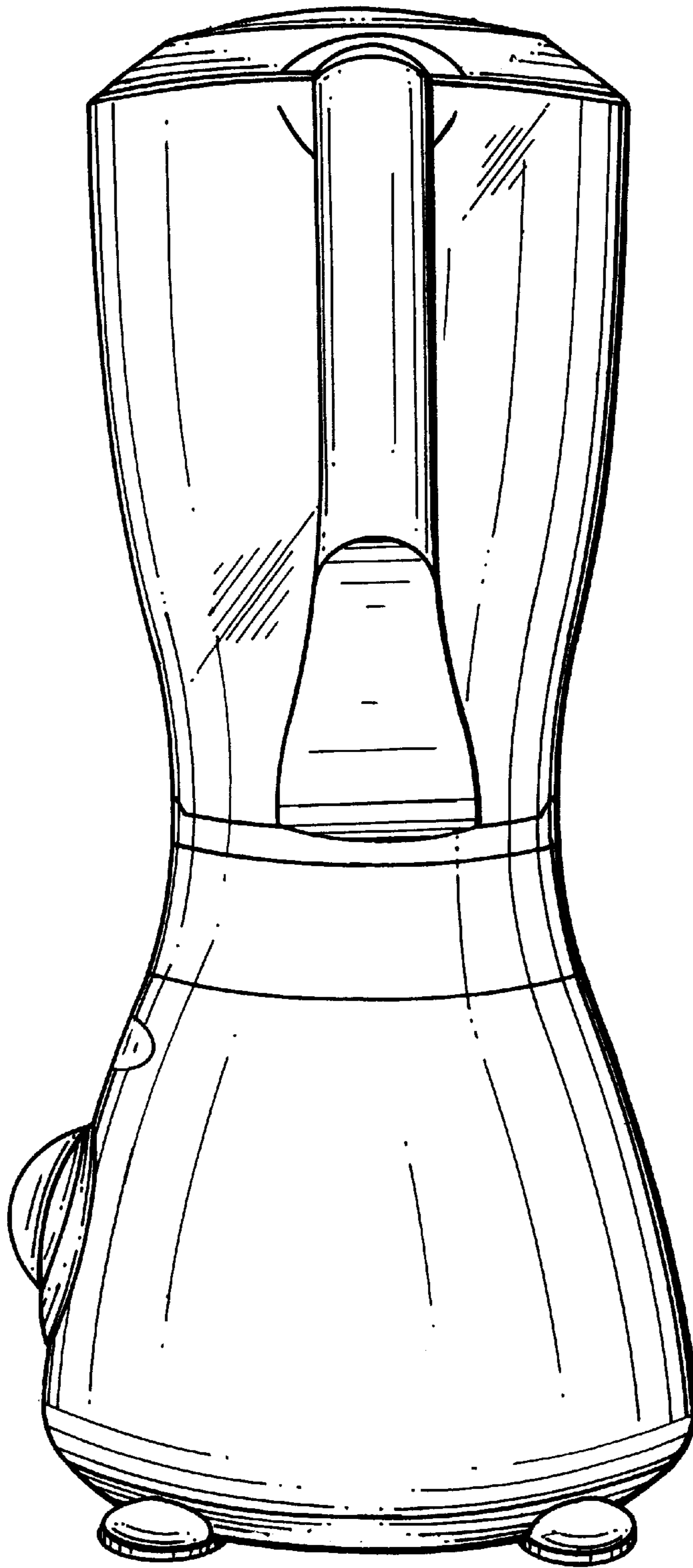
*FIG. 1*



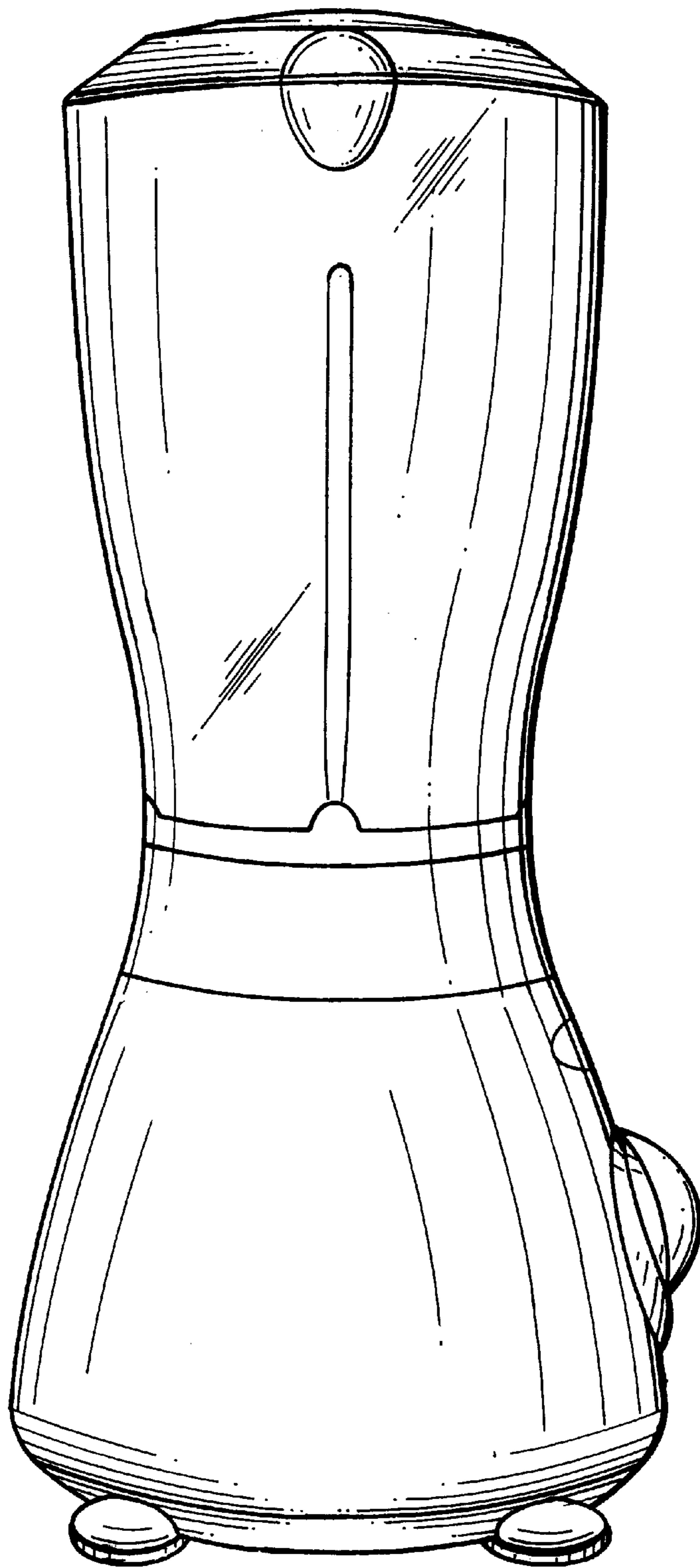
*FIG. 2*



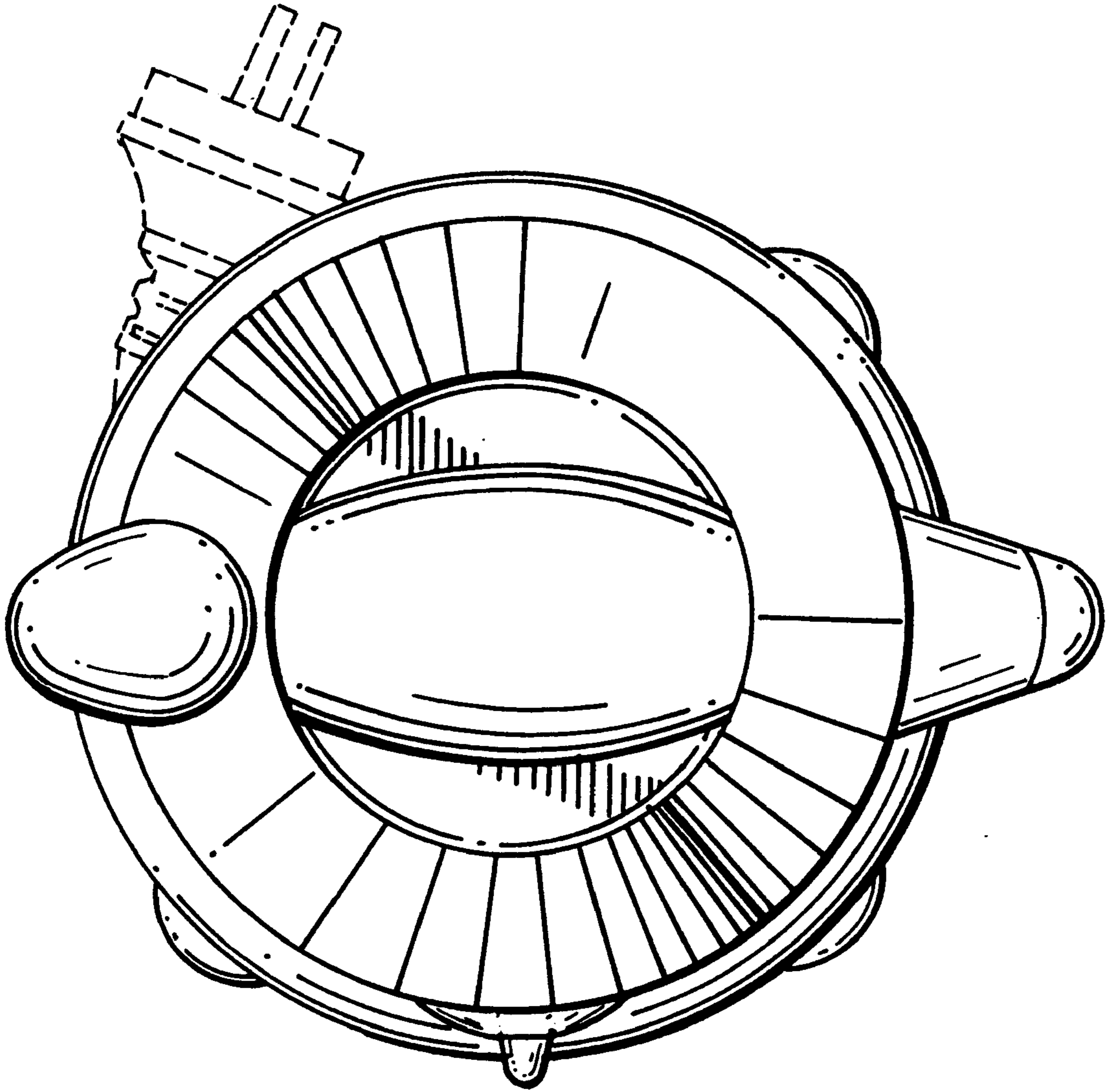
*FIG. 3*



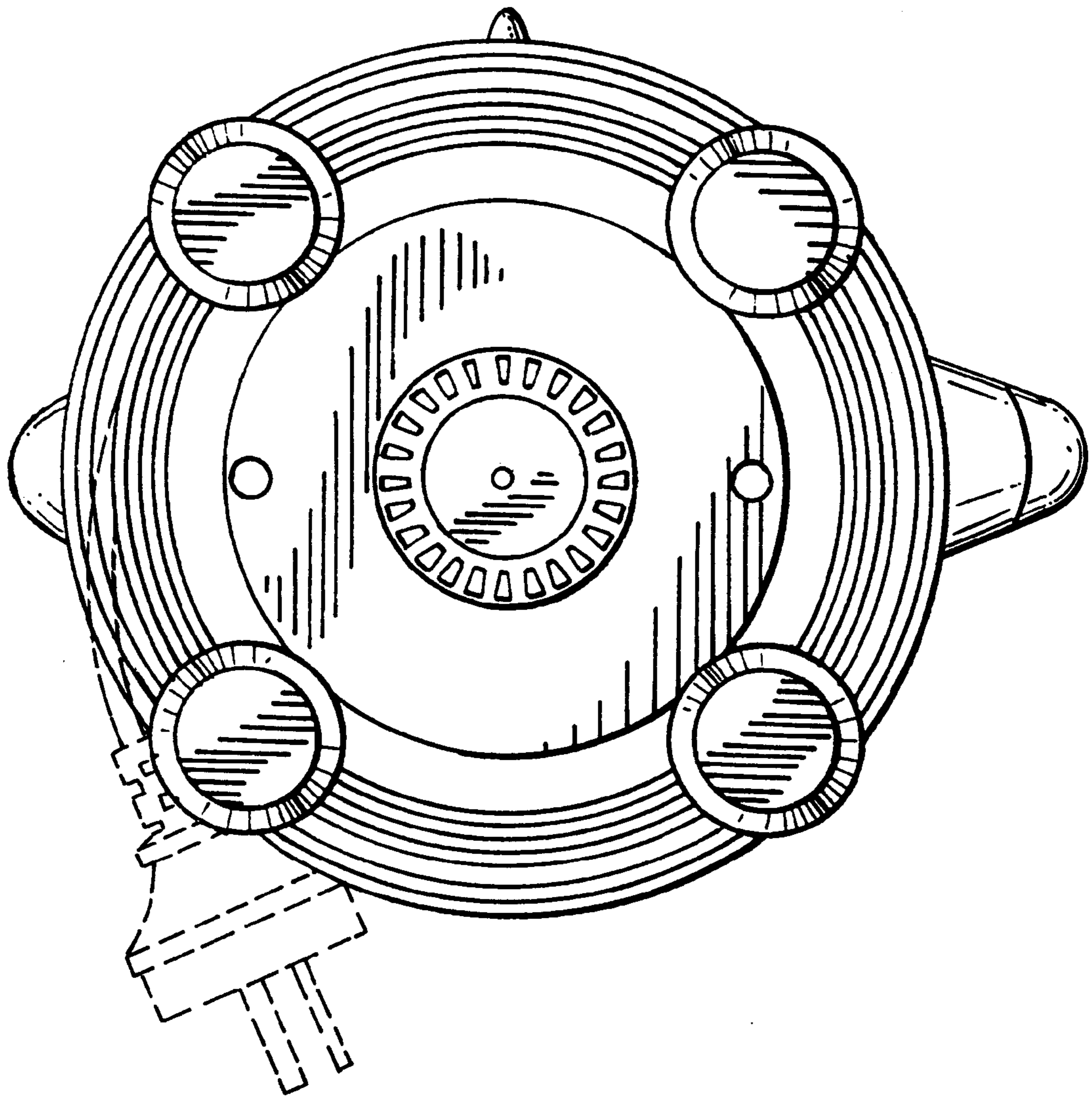
*FIG. 4*



*FIG. 5*



*FIG. 6*



*FIG. 7*