



US00D453441S

(12) **United States Design Patent**
Li

(10) **Patent No.:** **US D453,441 S**

(45) **Date of Patent:** **** Feb. 12, 2002**

(54) **COFFEE MAKER**

(76) **Inventor:** **Yuan-Hong Li**, No.73, Zhong-Xing Road, Chang-Hua City (TW)

(**) **Term:** **14 Years**

(21) **Appl. No.:** **29/147,104**

(22) **Filed:** **Aug. 23, 2001**

(51) **LOC (7) Cl.** **07-01**

(52) **U.S. Cl.** **D7/309; D7/310; D7/311**

(58) **Field of Search** **D2/309, 300, 310, D2/311, 312, 313, 307; 99/285, 282, 280, 289 R, 284, 279, 293, 295, 292, 303, 317; 210/481; 248/145; 220/23.83**

(56) **References Cited**

U.S. PATENT DOCUMENTS

D85,966 S	*	1/1932	Wolcott	D7/313
2,496,237 A	*	1/1950	Smith	99/284
2,551,219 A	*	5/1951	Peters et al.	99/282
D167,454 S	*	8/1952	Games	D7/310
2,912,921 A	*	11/1959	Ellison	99/292

D190,247 S	*	5/1961	Brinkman	D7/310
3,670,641 A	*	6/1972	Mancioli	99/293
3,998,351 A	*	12/1976	Smith et al.	220/23.83
4,759,275 A	*	7/1988	Lee	99/317
D324,149 S	*	2/1992	Beeren	D7/309
D429,109 S	*	8/2000	Ohu	D7/307

* cited by examiner

Primary Examiner—M. N. Pandozzi

(74) *Attorney, Agent, or Firm*—Troxell Law Office PLLC

(57) **CLAIM**

The ornamental design for a coffee maker, as shown.

DESCRIPTION

FIG. 1 is a front view of a coffee maker showing my new design;

FIG. 2 is a rear view thereof;

FIG. 3 is a left view thereof;

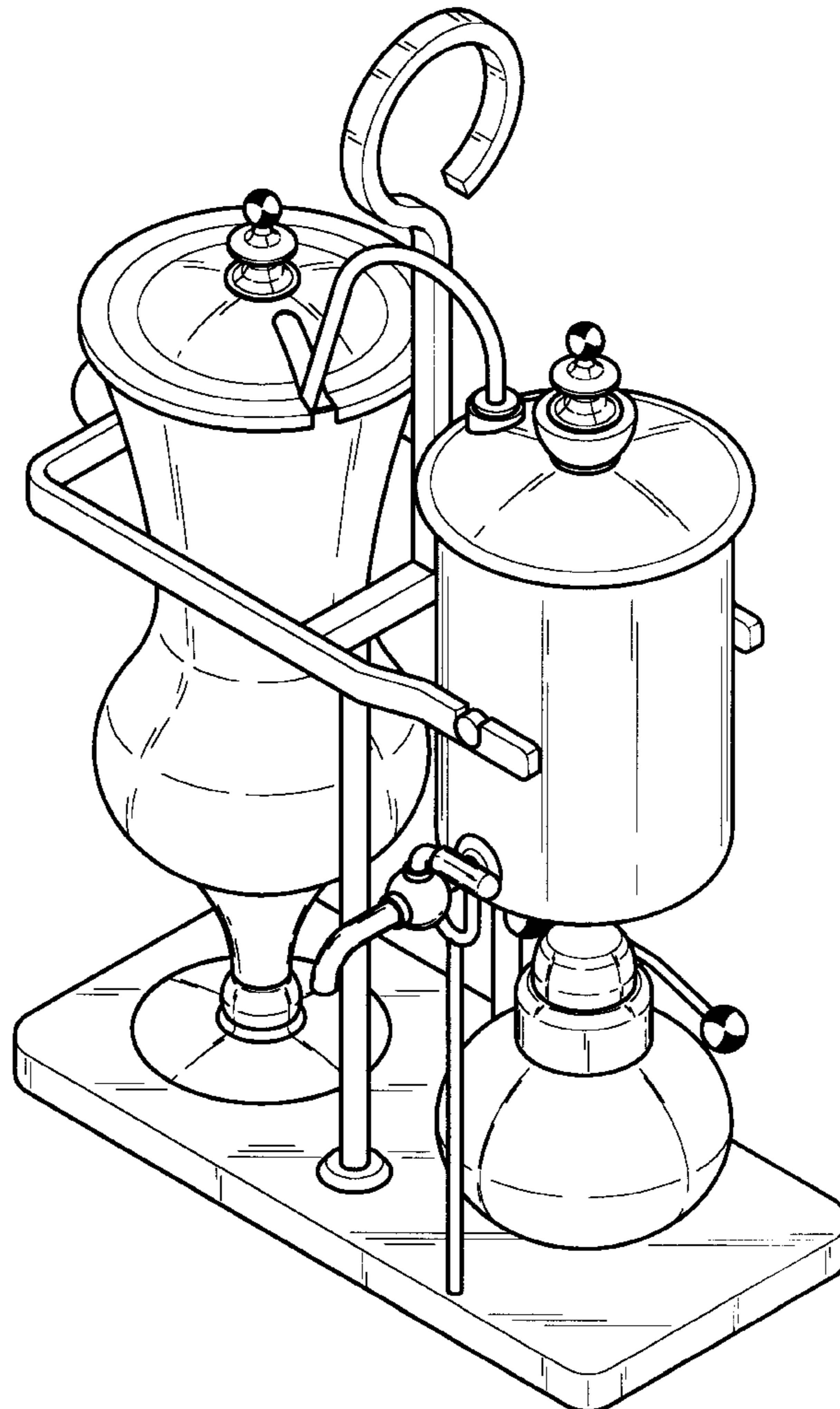
FIG. 4 is a right view thereof;

FIG. 5 is a top view thereof;

FIG. 6 is a bottom view thereof; and,

FIG. 7 is a perspective view thereof.

1 Claim, 7 Drawing Sheets



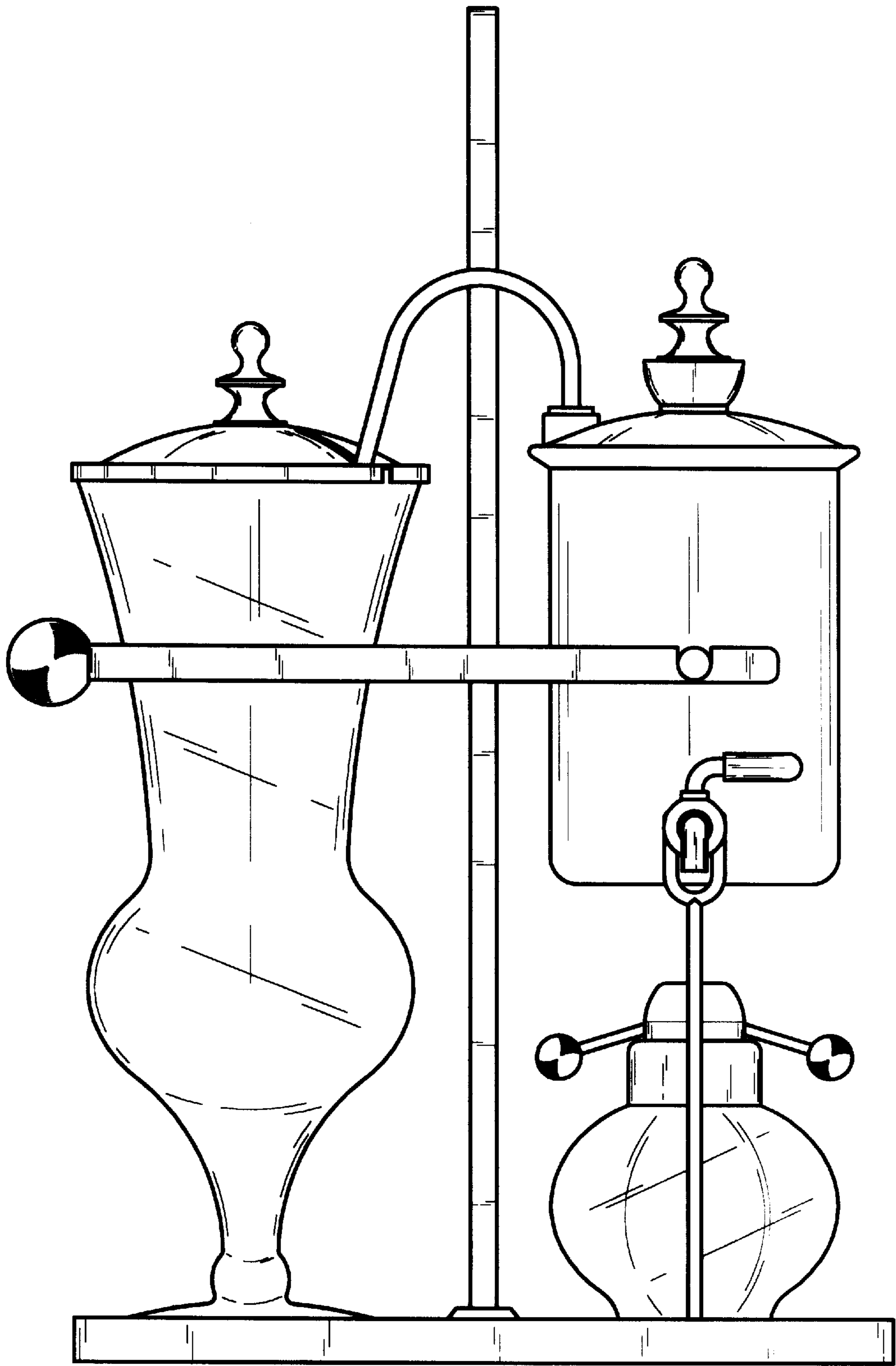


FIG1

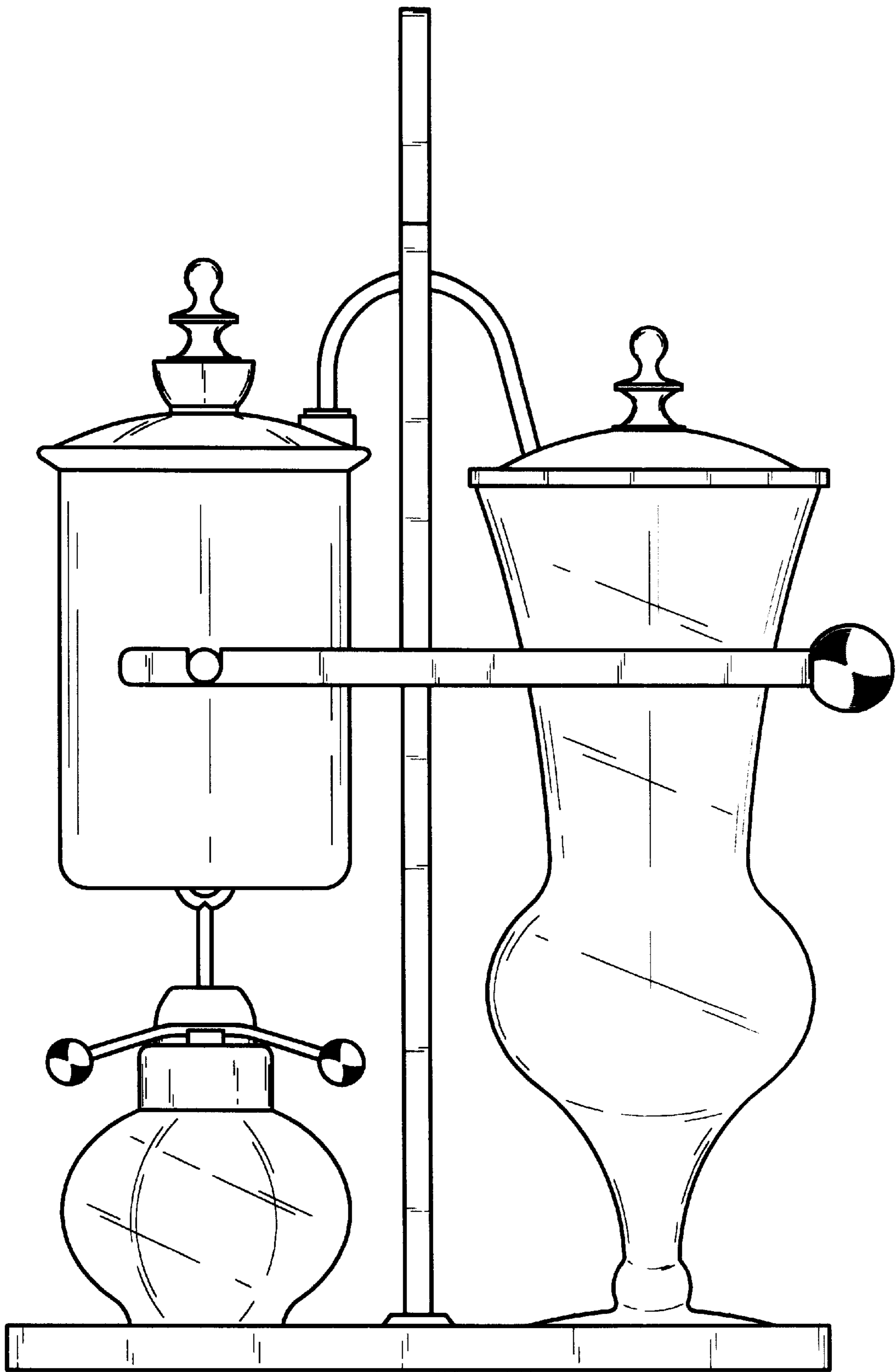


FIG 2

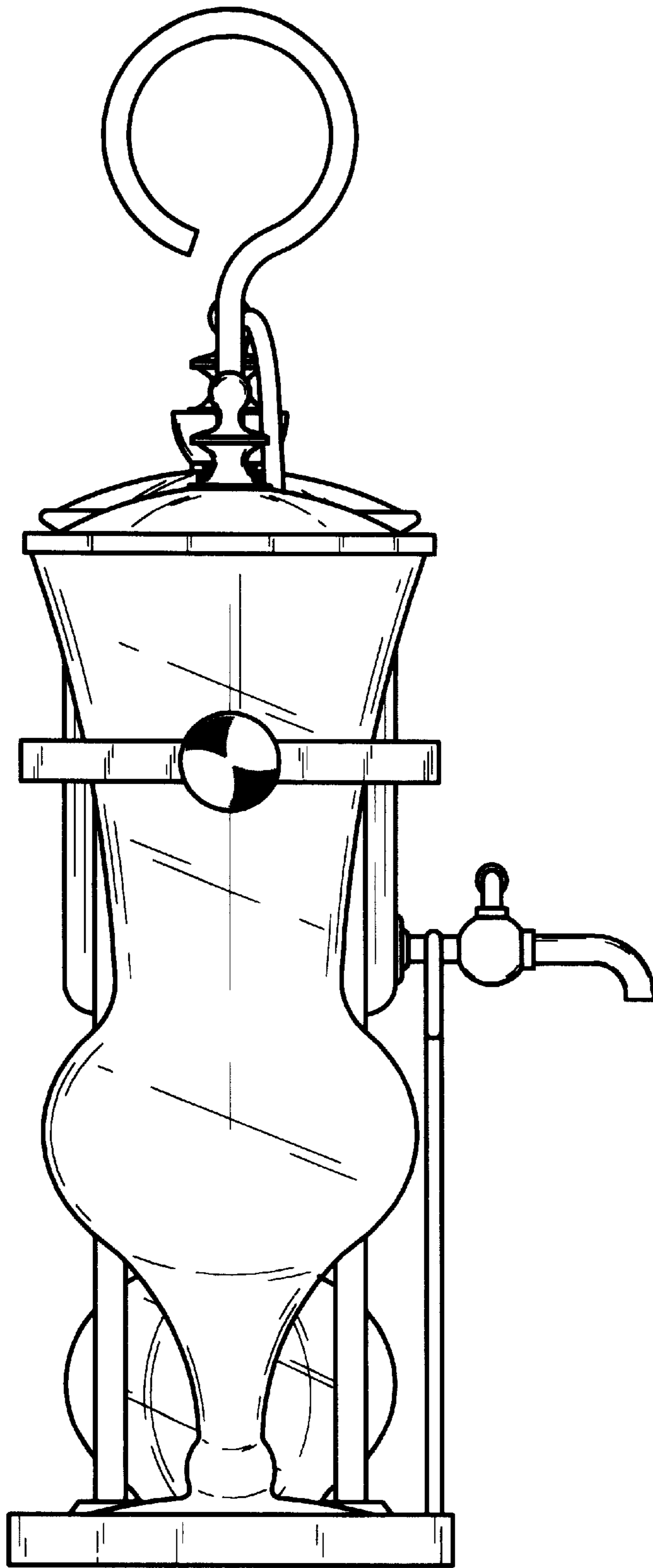


FIG3

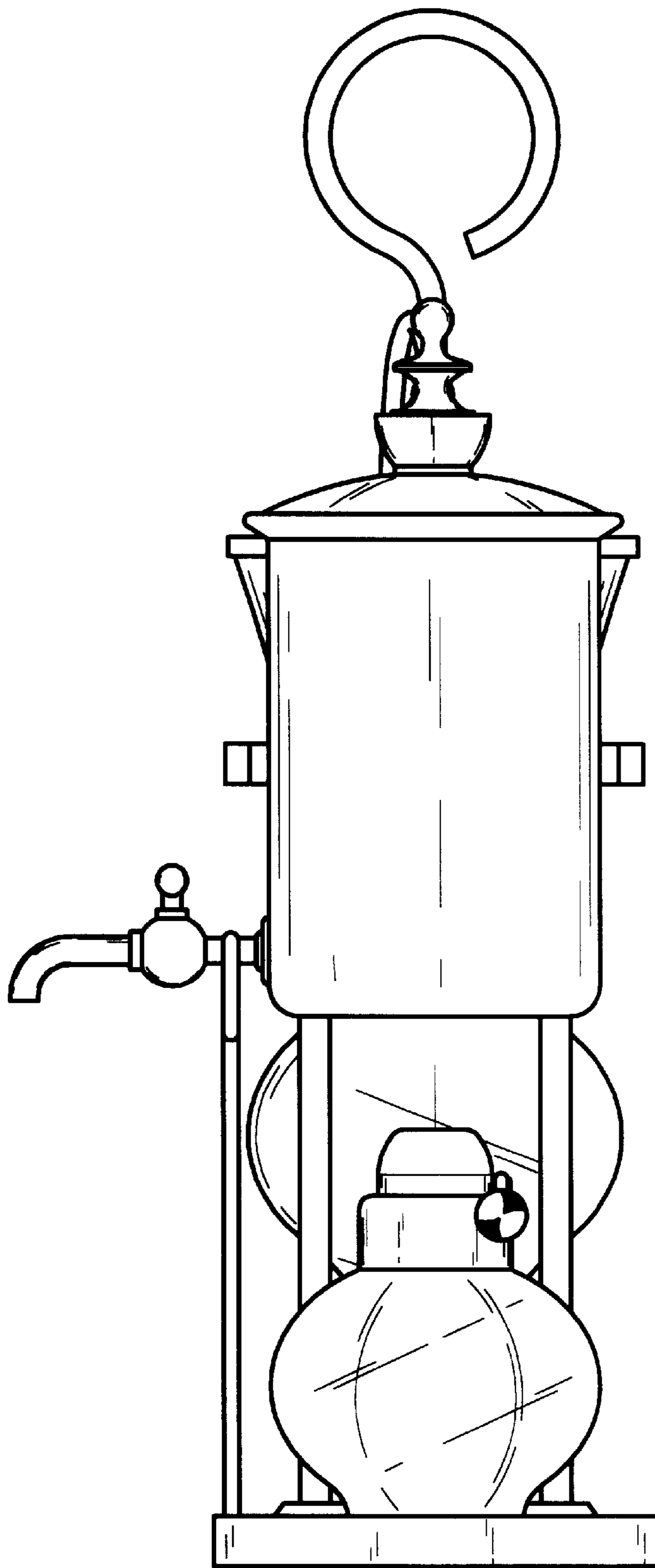


FIG4

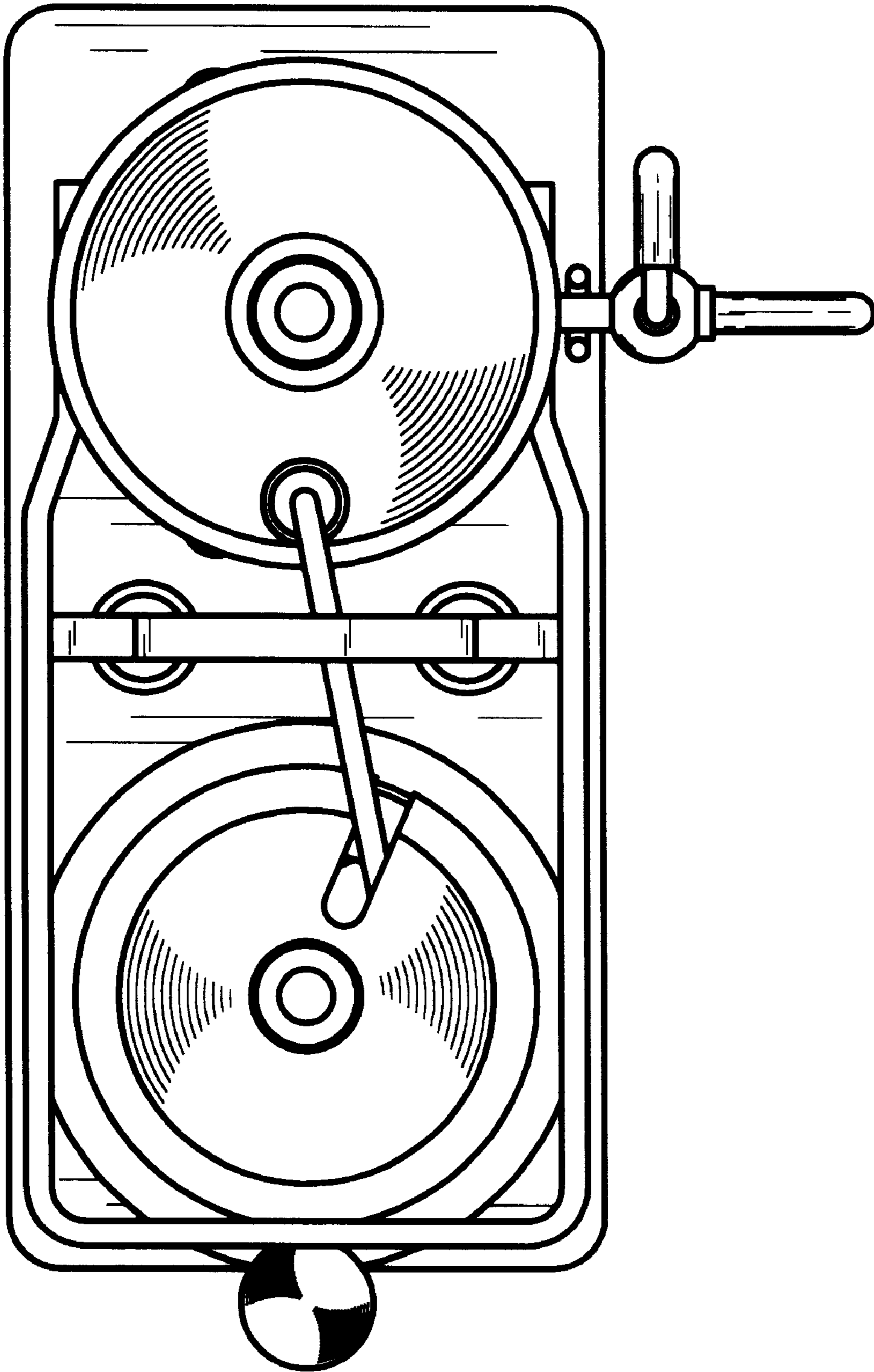


FIG5

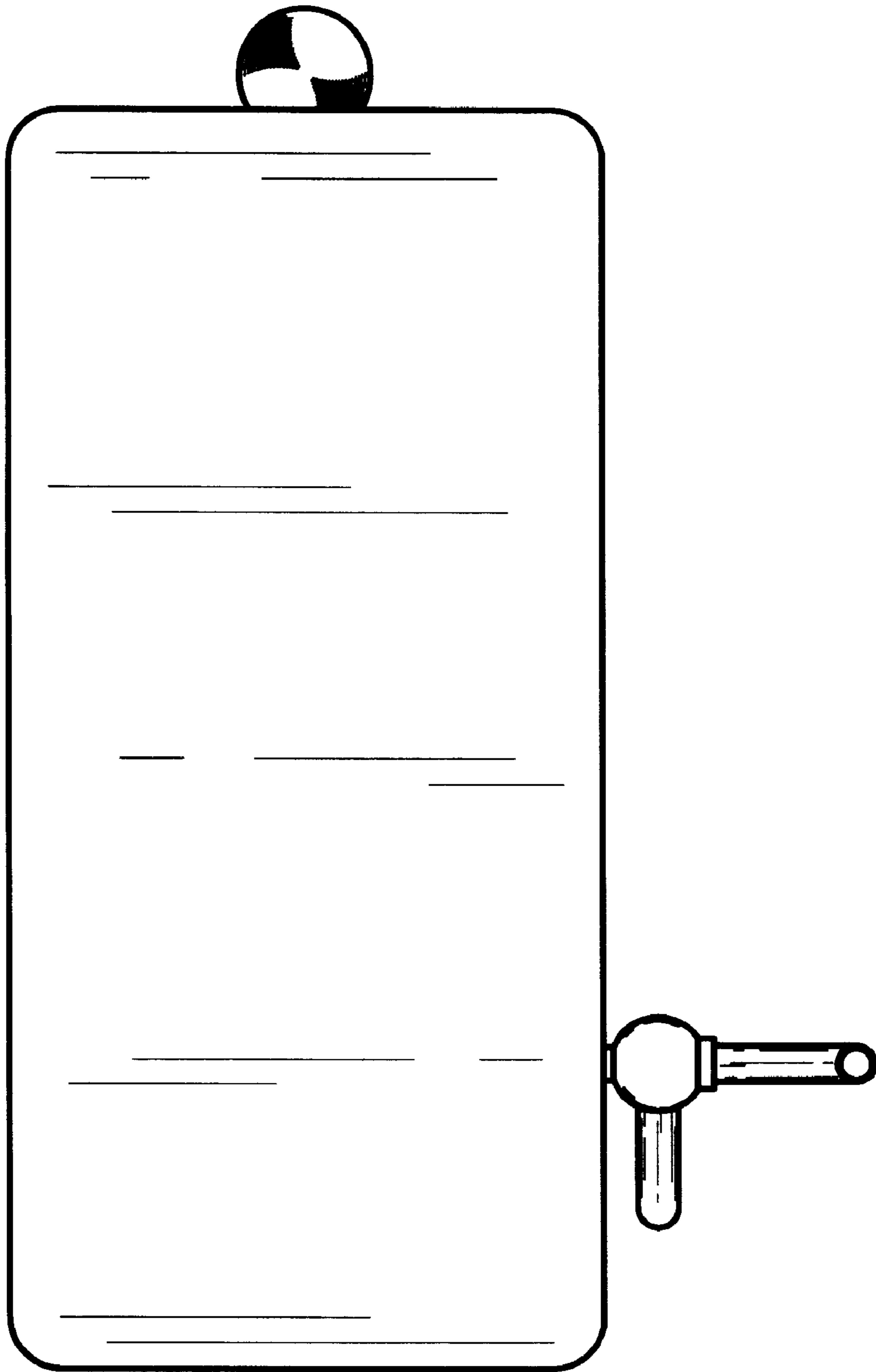


FIG6

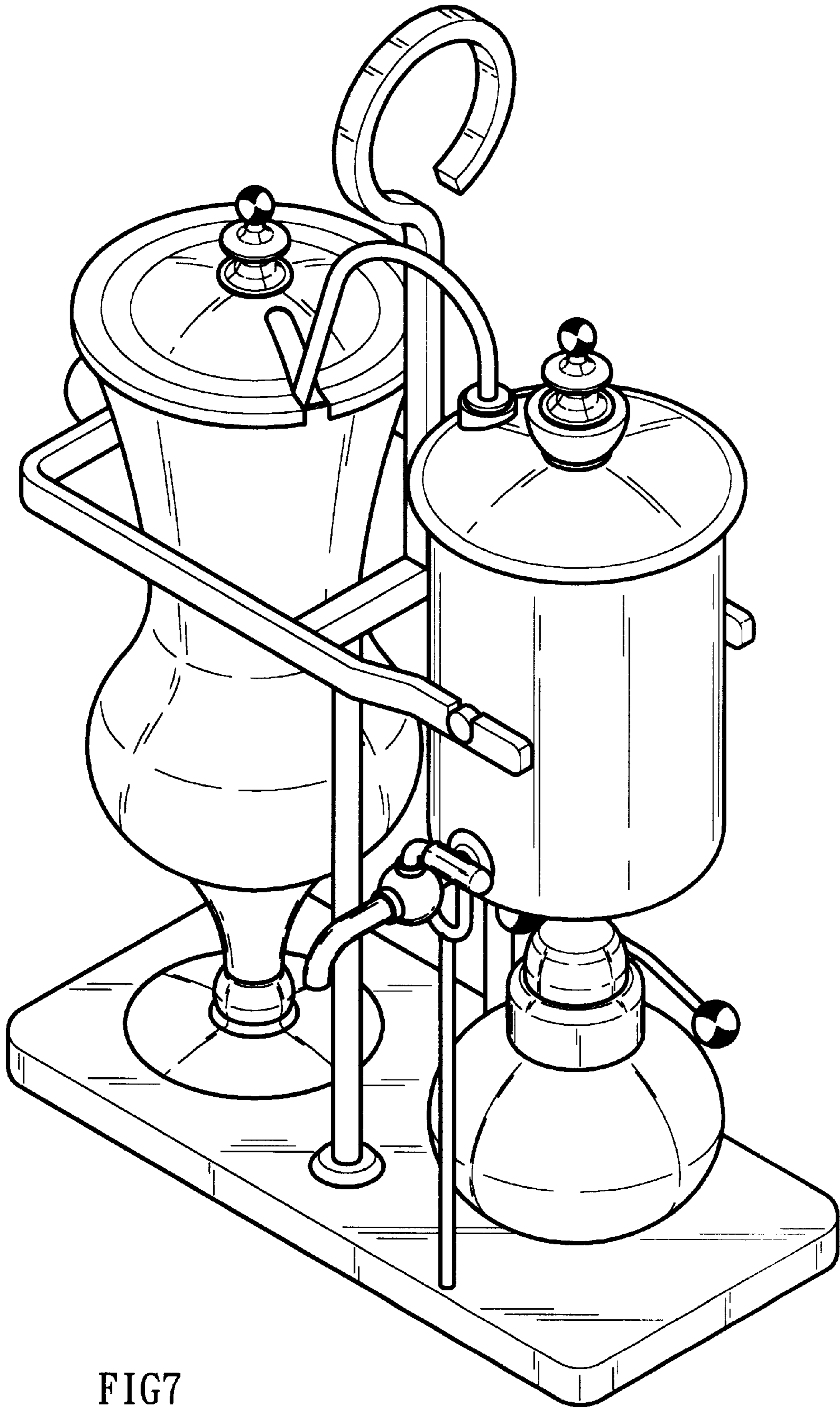


FIG 7