



US00D453437S

(12) **United States Design Patent**  
**Gilbert**

(10) **Patent No.:** **US D453,437 S**

(45) **Date of Patent:** **\*\* Feb. 12, 2002**

(54) **TOWEL BAR**

(75) **Inventor:** **Christopher Jon Gilbert**, Moreland Hills, OH (US)

(73) **Assignee:** **Moen Incorporated**, North Olmsted, OH (US)

(\*\*) **Term:** **14 Years**

(21) **Appl. No.:** **29/140,555**

(22) **Filed:** **Apr. 23, 2001**

(51) **LOC (7) Cl.** ..... **06-04**

(52) **U.S. Cl.** ..... **D6/549**

(58) **Field of Search** ..... D6/546-50, 518, D6/522-24; D8/300, 315-21, 354, 363, 373, 380; 108/28-29; 211/13.1, 16, 60.1, 86.01, 87.01, 88.04, 100, 105.1-105.2, 123, 181.1, 182; 248/175, 176.1, 251, 302; 16/110.1, 412, 415; 242/570, 590, 595-598; 206/389

(56) **References Cited**

**U.S. PATENT DOCUMENTS**

1,177,232	A	3/1916	Chisholm	
D75,496	S	6/1928	Hoegger	
D79,771	S	10/1929	Warner et al.	
1,891,048	A	12/1932	Keefe	
1,972,282	A	* 9/1934	Wittstein	..... 211/123
D216,458	S	1/1970	Nestrock	

D276,388	S	11/1984	Miller et al.	
D291,639	S	* 9/1987	Chap	..... D6/549
D305,863	S	2/1990	Gresens et al.	
D312,935	S	12/1990	Chap et al.	
5,026,012	A	6/1991	Wang	
D327,196	S	6/1992	Crook et al.	
D377,571	S	1/1997	Sharpe	
D388,272	S	12/1997	Moore	
D431,140	S	9/2000	Kuo	
D438,040	S	* 2/2001	Funk	..... D6/524

\* cited by examiner

*Primary Examiner*—Brian N. Vinson

(74) *Attorney, Agent, or Firm*—Cook, Alex, McFarron, Manzo, Cummings & Mehler, Ltd.

(57) **CLAIM**

The ornamental design for a towel bar, as shown and described.

**DESCRIPTION**

FIG. 1 is a top front perspective view of my new design for a towel bar;

FIG. 2 is a left side view thereof, the right side being the same as the left side;

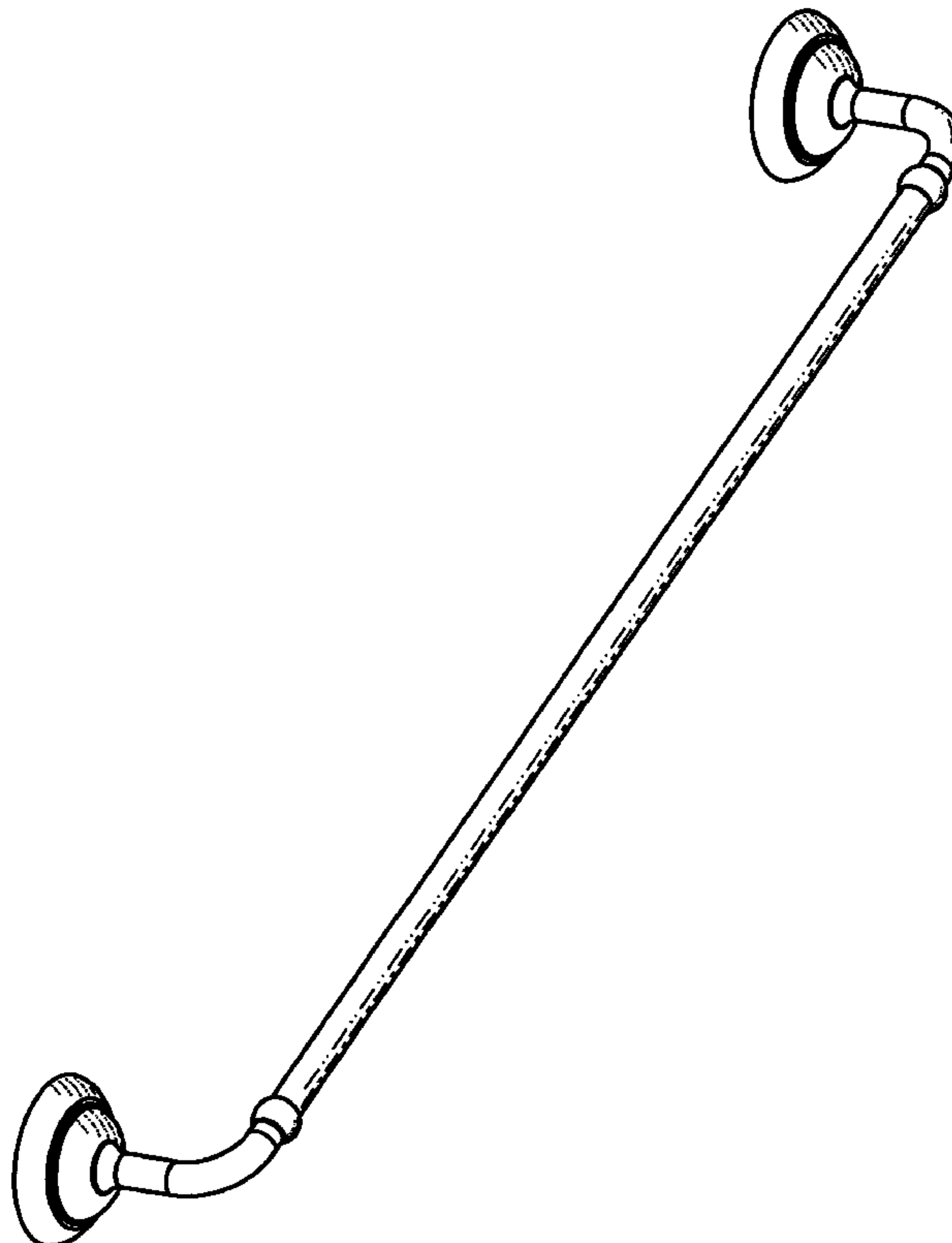
FIG. 3 is a front view thereof;

FIG. 4 is a bottom view thereof;

FIG. 5 is a rear view thereof; and,

FIG. 6 is a top view thereof.

**1 Claim, 2 Drawing Sheets**



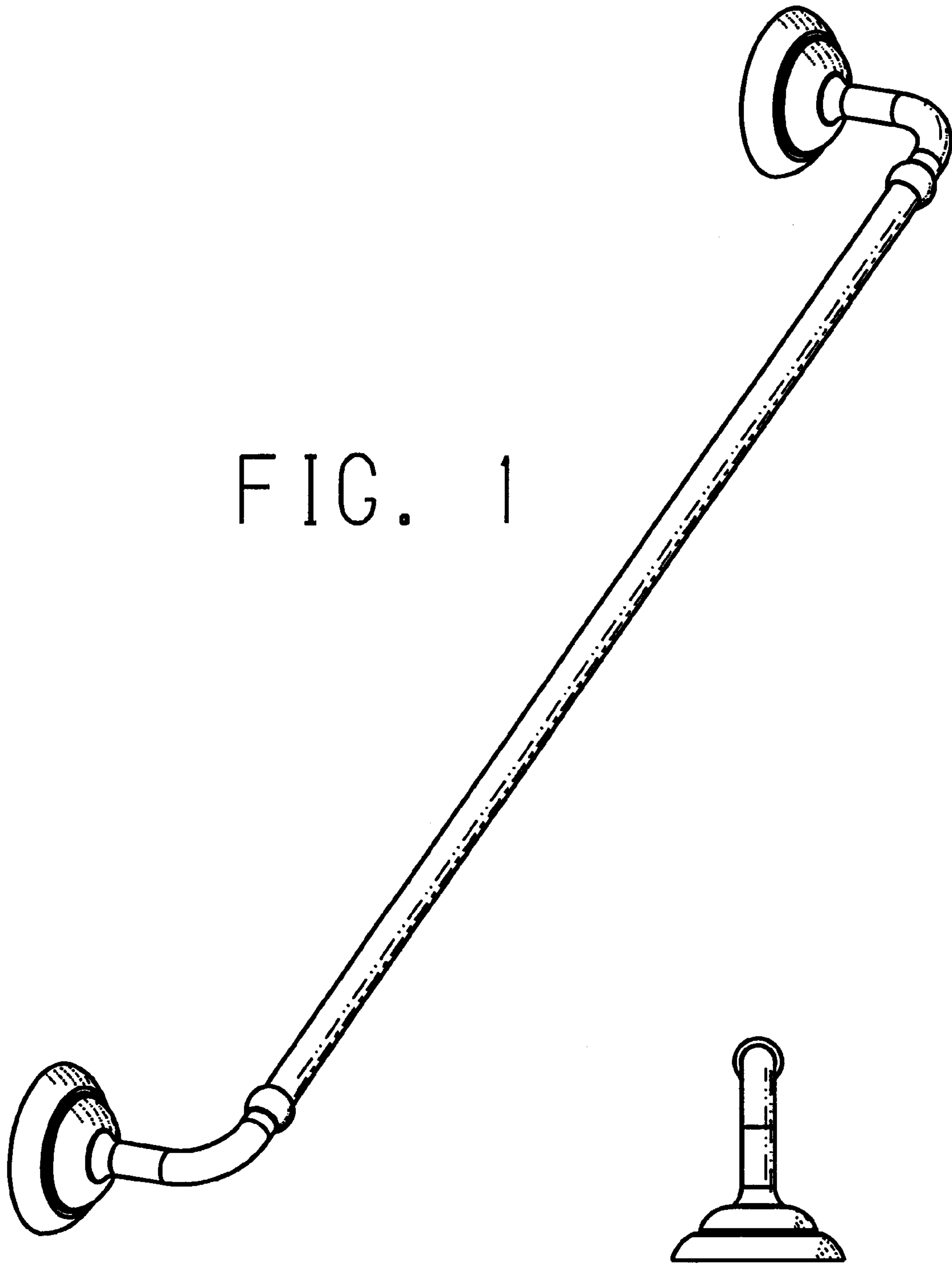


FIG. 1

FIG. 2

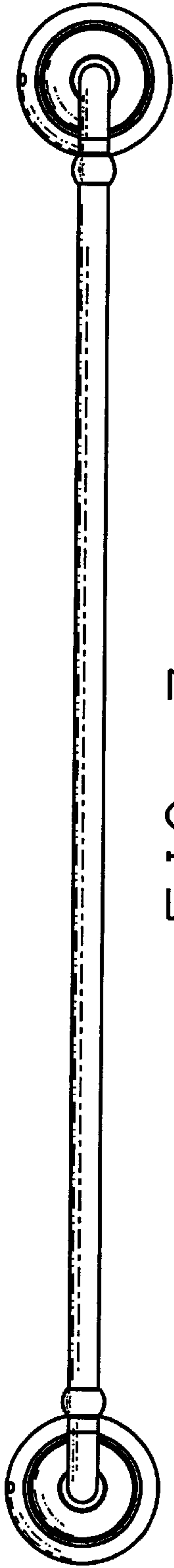


FIG. 3

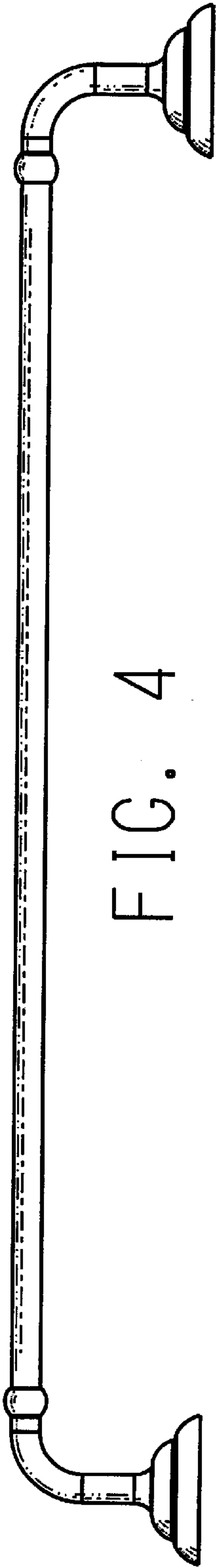


FIG. 4

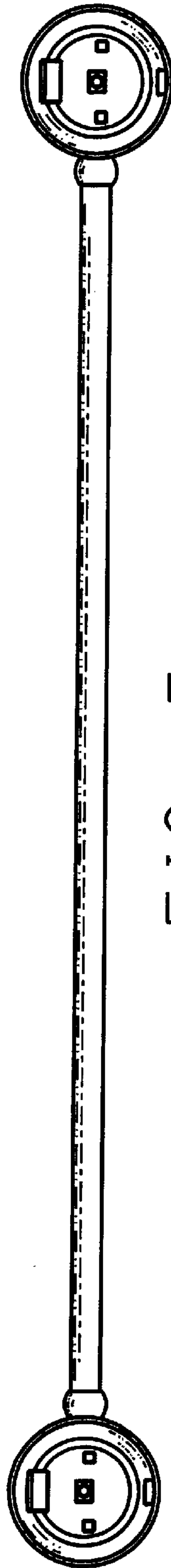


FIG. 5

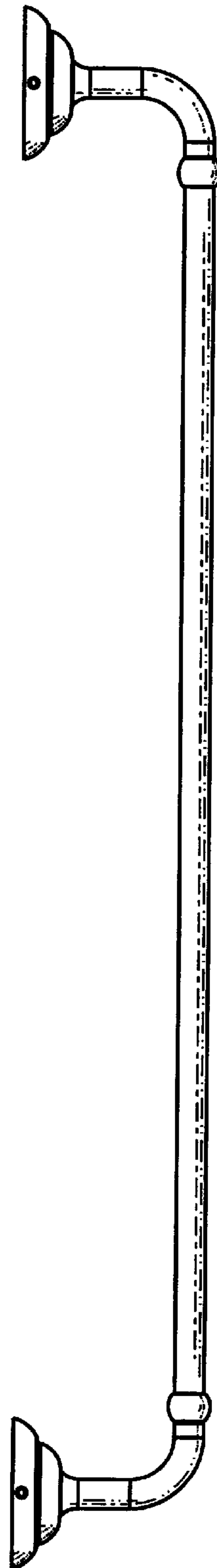


FIG. 6