



US00D453435S

(12) **United States Design Patent**
Hoernig

(10) **Patent No.:** **US D453,435 S**

(45) **Date of Patent:** **** Feb. 12, 2002**

(54) **TOWEL RING**

(75) **Inventor:** **Victor Hoernig**, Lowell, IN (US)

(73) **Assignee:** **Gusa, Inc.**, Fort Mill, SC (US)

(**) **Term:** **14 Years**

(21) **Appl. No.:** **29/142,640**

(22) **Filed:** **May 30, 2001**

(51) **LOC (7) Cl.** **06-04**

(52) **U.S. Cl.** **D6/546**

(58) **Field of Search** D6/546-50, 518,
D6/522-24; D8/300, 315-21, 354, 363,
373, 380; 108/28-29; 211/13.1, 16, 60.1,
86.01, 87.01, 88.04, 100, 105.1-105.2,
123, 181.1, 182; 248/175, 176.1, 251, 302;
16/110.1, 412, 415; 242/570, 590, 595-598;
206/389

(56) **References Cited**

U.S. PATENT DOCUMENTS

D234,990 S * 4/1975 Morgan D6/546

D238,733 S * 2/1976 Read D6/546
D317,386 S * 6/1991 McKeone D6/524
D328,849 S * 8/1992 Cornick et al. D6/546 X
D407,248 S * 3/1999 Scholpp D6/524

* cited by examiner

Primary Examiner—Brian N. Vinson

(74) *Attorney, Agent, or Firm*—Edgar A. Zarins; Lloyd D. Doigan

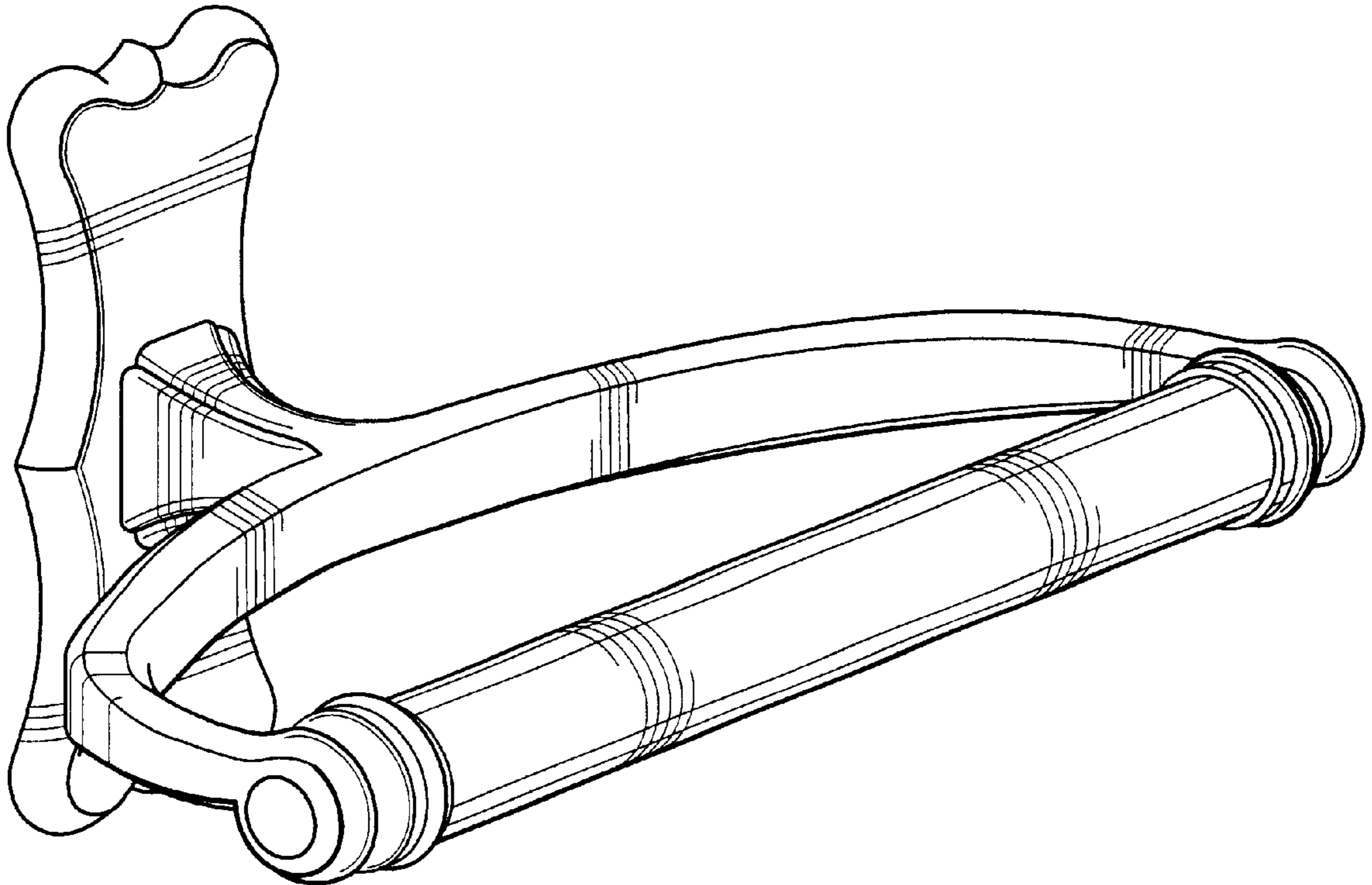
(57) **CLAIM**

The ornamental design for a towel ring, as shown and described.

DESCRIPTION

FIG. 1 is a perspective view of a towel ring showing my new design;
FIG. 2 is a front elevational view thereof;
FIG. 3 is a top plan view thereof;
FIG. 4 is a bottom plan view thereof;
FIG. 5 is a right side view thereof;
FIG. 6 is a left side view thereof; and,
FIG. 7 is a rear elevational view thereof.

1 Claim, 4 Drawing Sheets



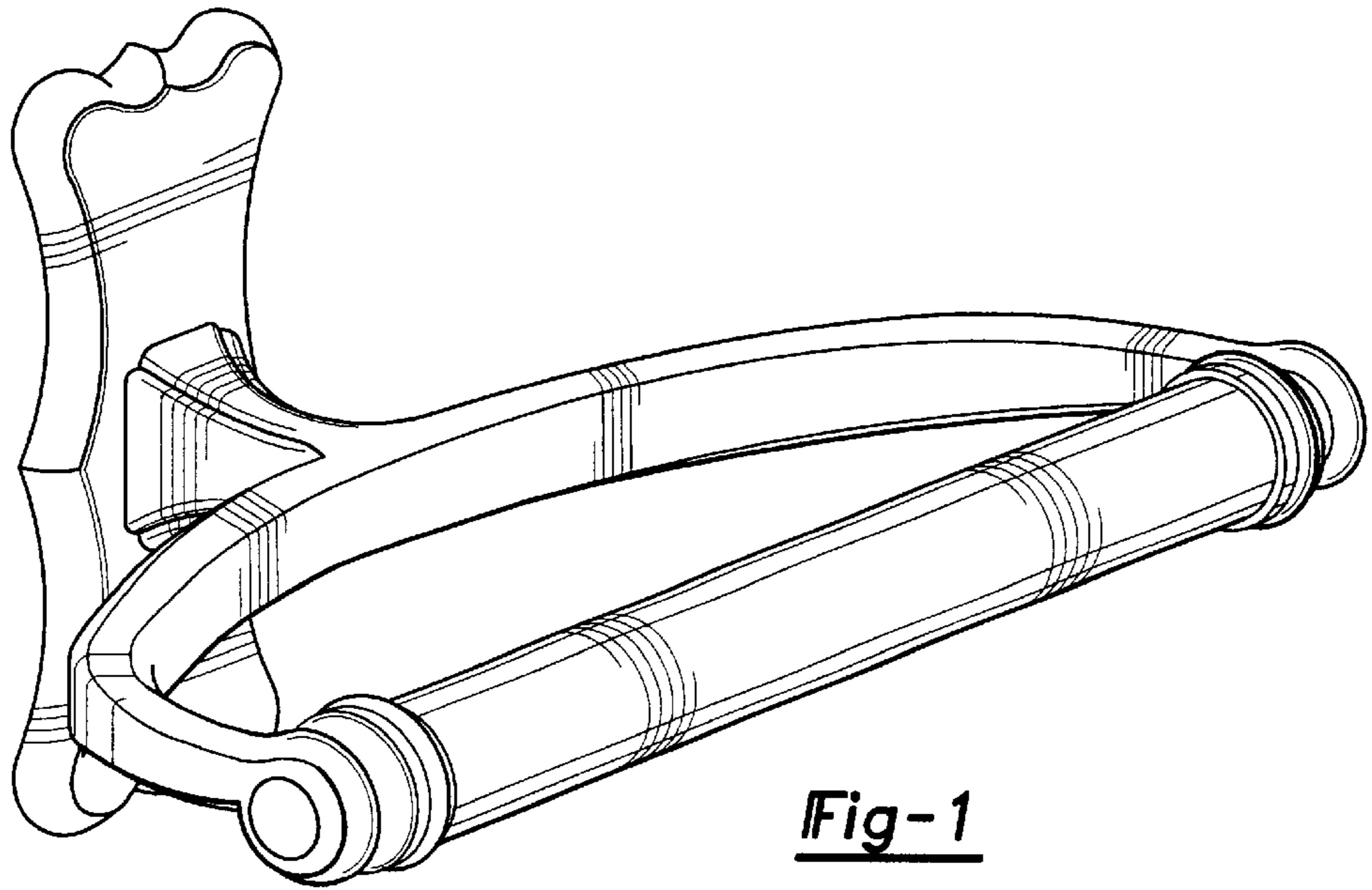


Fig-1

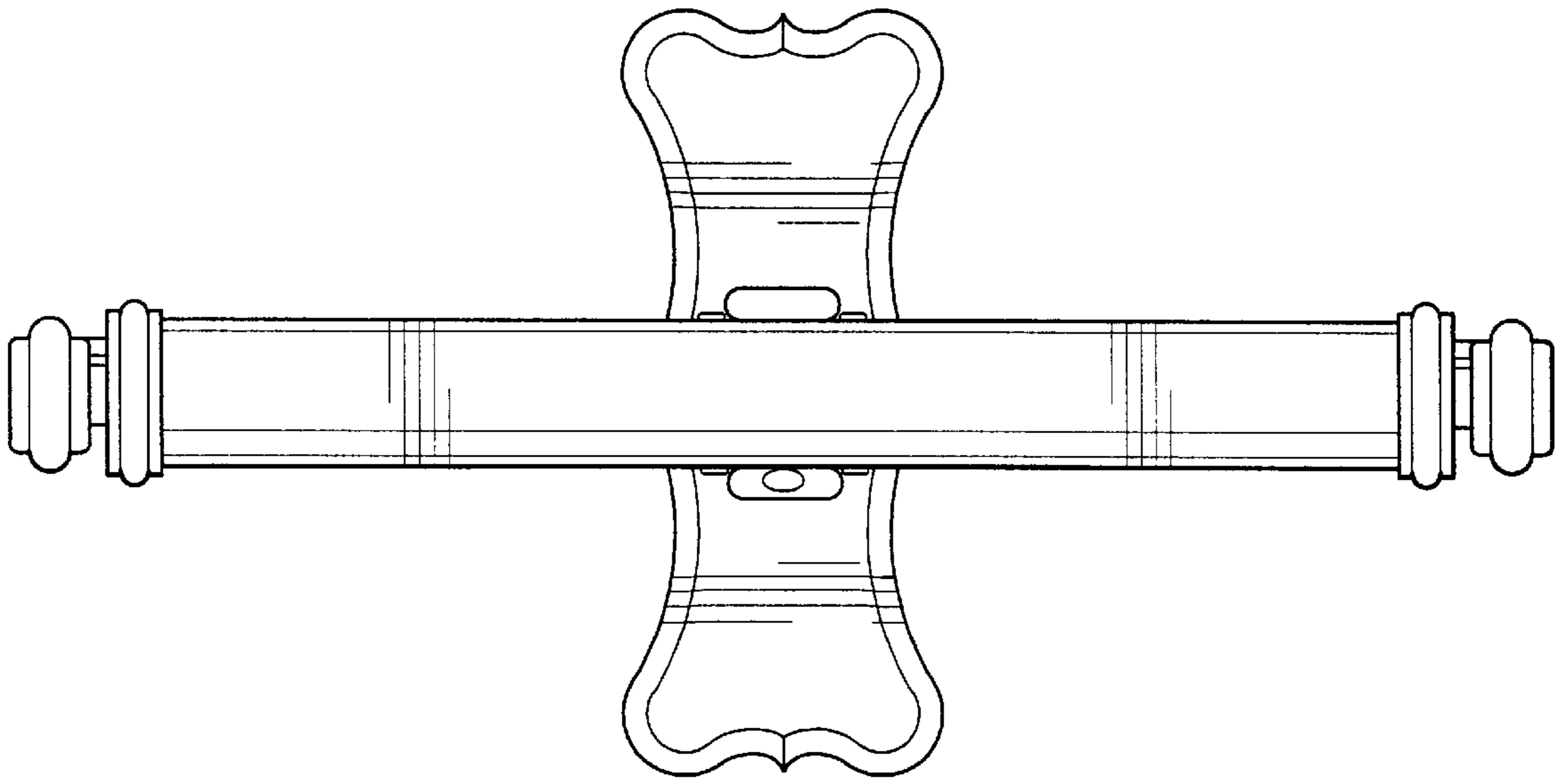


Fig-2

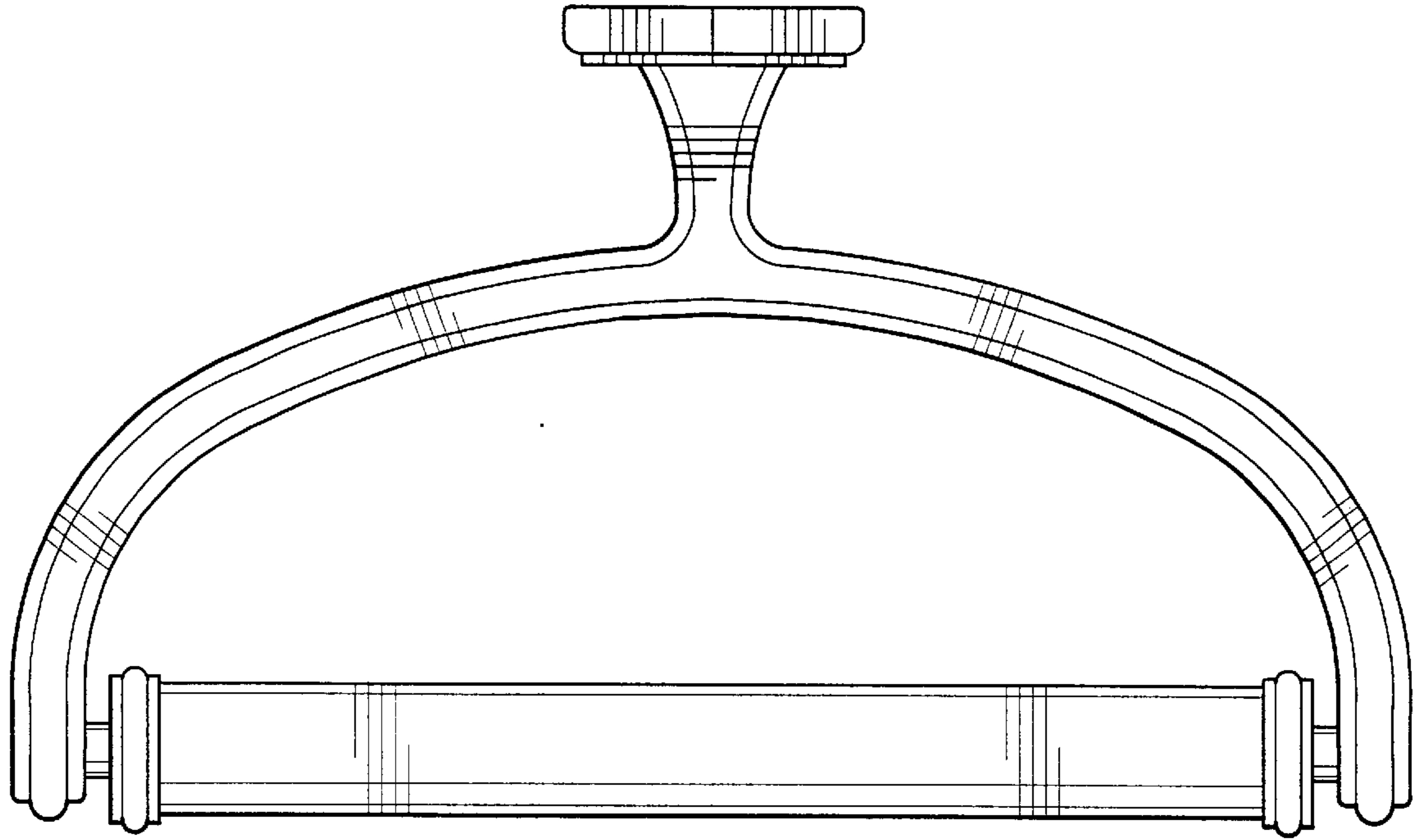


Fig-3

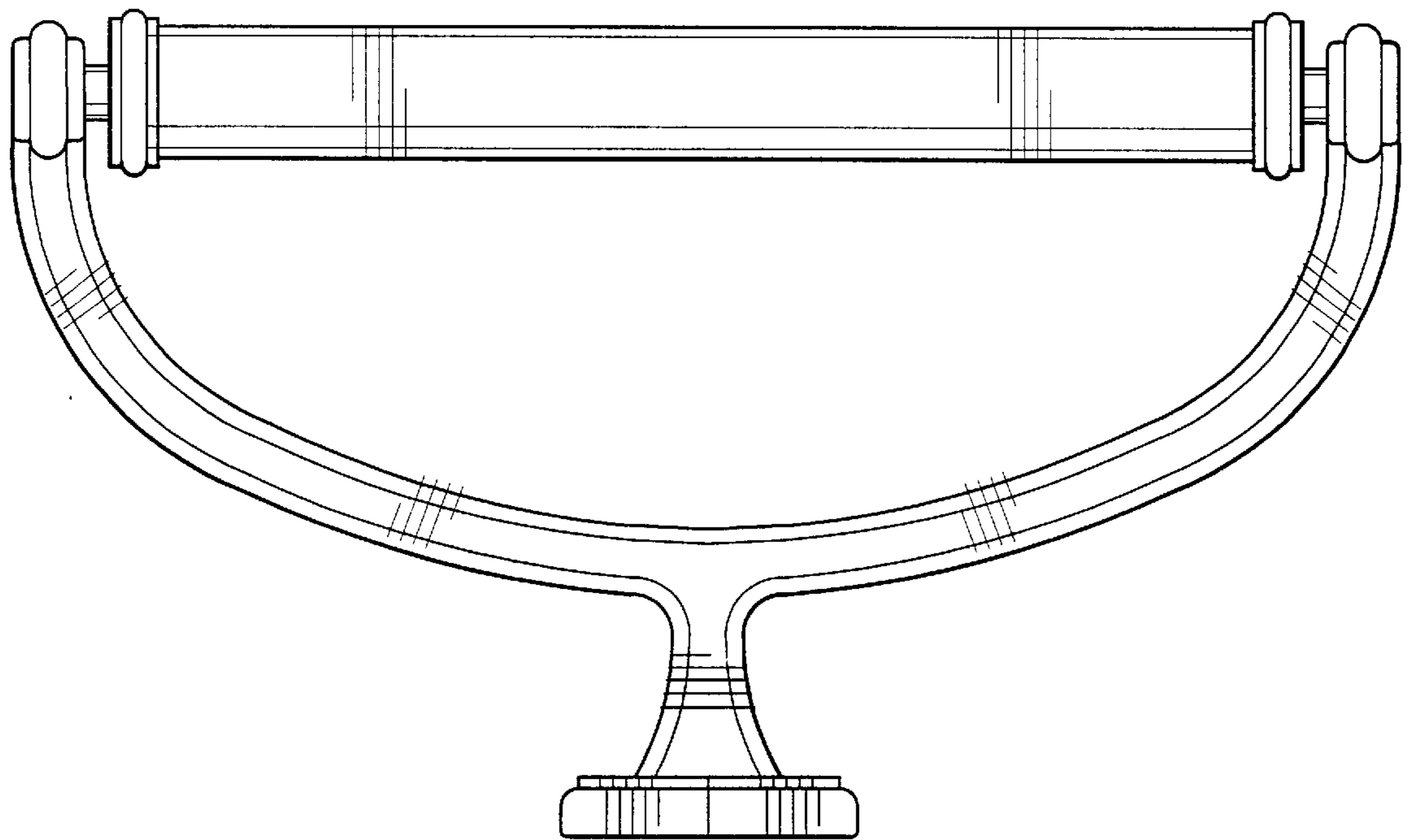
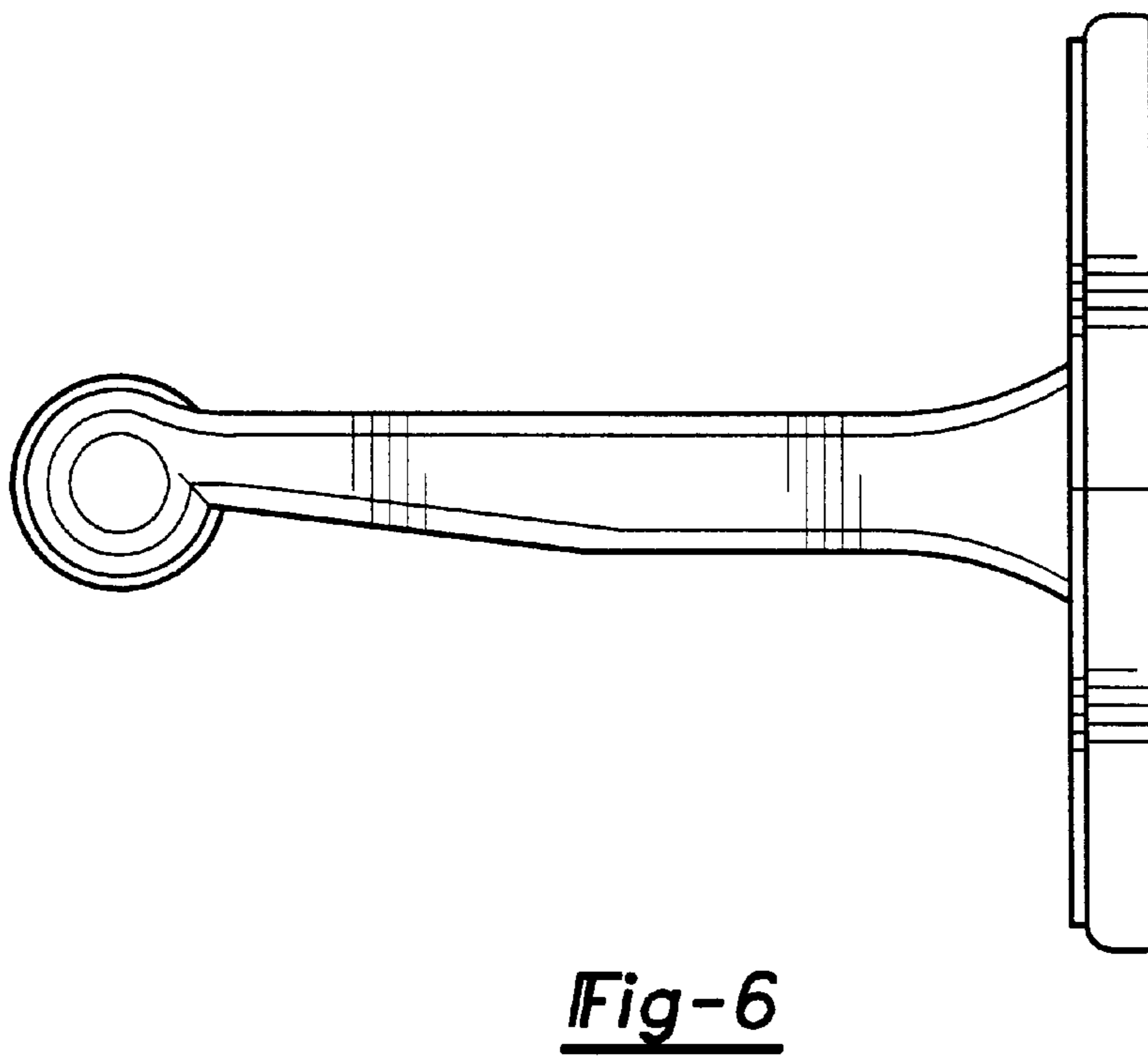
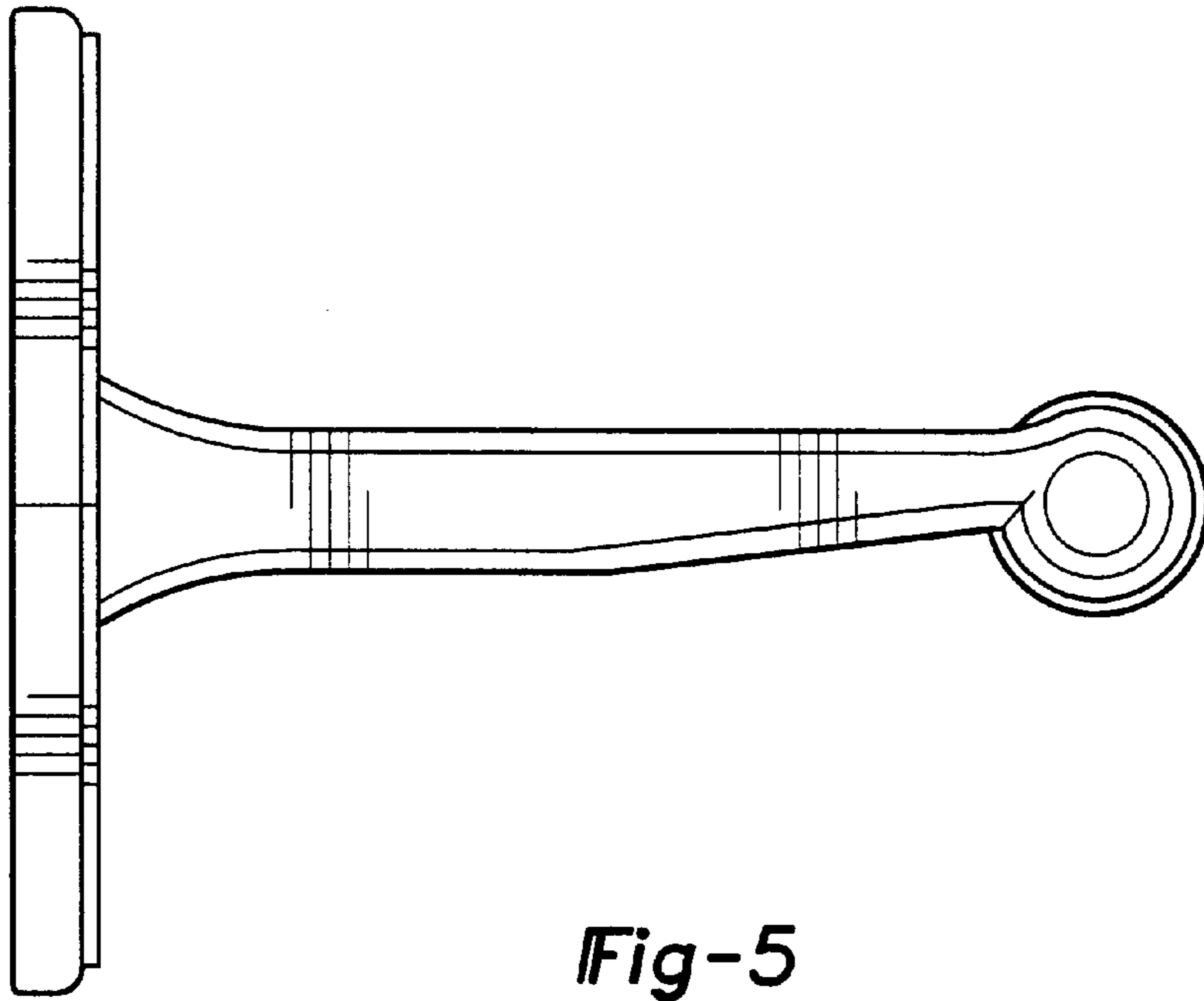


Fig-4



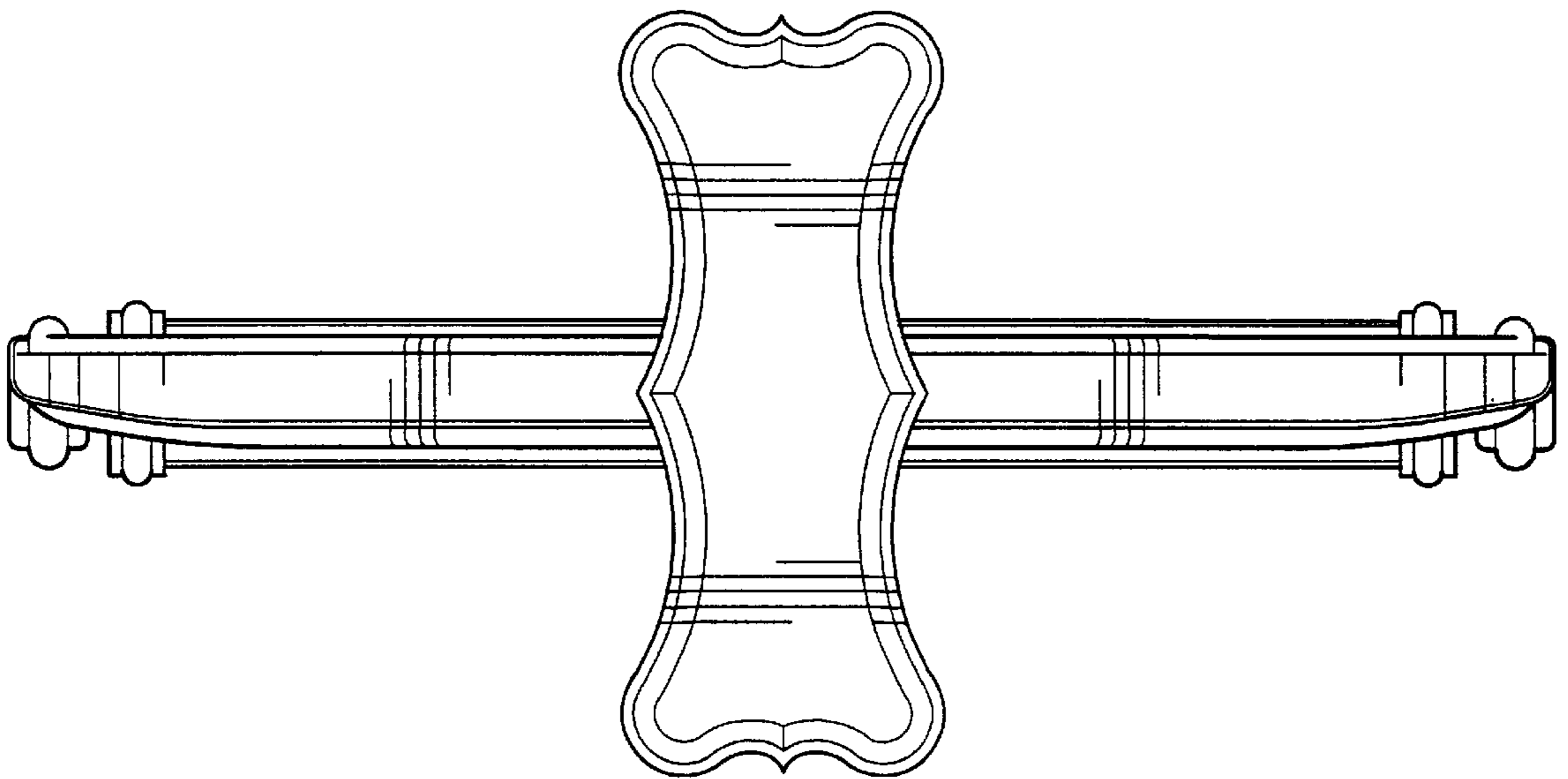


Fig-7