



US00D453434S

(12) **United States Design Patent**  
**Ou-Young**

(10) **Patent No.:** **US D453,434 S**

(45) **Date of Patent:** **\*\* Feb. 12, 2002**

(54) **TOWEL RING**

(75) **Inventor:** **Ming Ou-Young, Tai Chung (TW)**

(73) **Assignee:** **Globe Union America Corporation,**  
**Bolingbrook, IL (US)**

(\*\*) **Term:** **14 Years**

(21) **Appl. No.:** **29/136,913**

(22) **Filed:** **Feb. 9, 2001**

(51) **LOC (7) Cl. .... 06-04**

(52) **U.S. Cl. .... D6/546**

(58) **Field of Search** ..... D6/546, 550; 211/13.1,  
211/85.3, 86.01, 87.01, 95, 96, 123, 181.1,  
105.1, 105.2; 248/205.1, 302, 309.1, 315

(56) **References Cited**

**U.S. PATENT DOCUMENTS**

D259,754 S	*	7/1981	Fleischmann et al. ....	D6/546
D298,895 S		12/1988	Sharpe	
D357,378 S	*	4/1995	Lehn et al. ....	D6/546
D361,460 S		8/1995	Warshawsky	
D363,183 S		10/1995	Starck	
D363,630 S		10/1995	Starck	

D388,271 S	*	12/1997	Moore .....	D6/546
D408,188 S	*	4/1999	Kuo .....	D6/550
D409,030 S	*	5/1999	Sweetman .....	D6/546
D427,471 S		7/2000	Chen	
D434,934 S	*	12/2000	Solowiej .....	D6/546
D437,162 S	*	2/2001	Fiegl et al. ....	D6/546
D442,000 S	*	5/2001	Milrud et al. ....	D6/546

\* cited by examiner

*Primary Examiner*—Brian N. Vinson

(74) *Attorney, Agent, or Firm*—Brinks Hofer Gilson & Lione

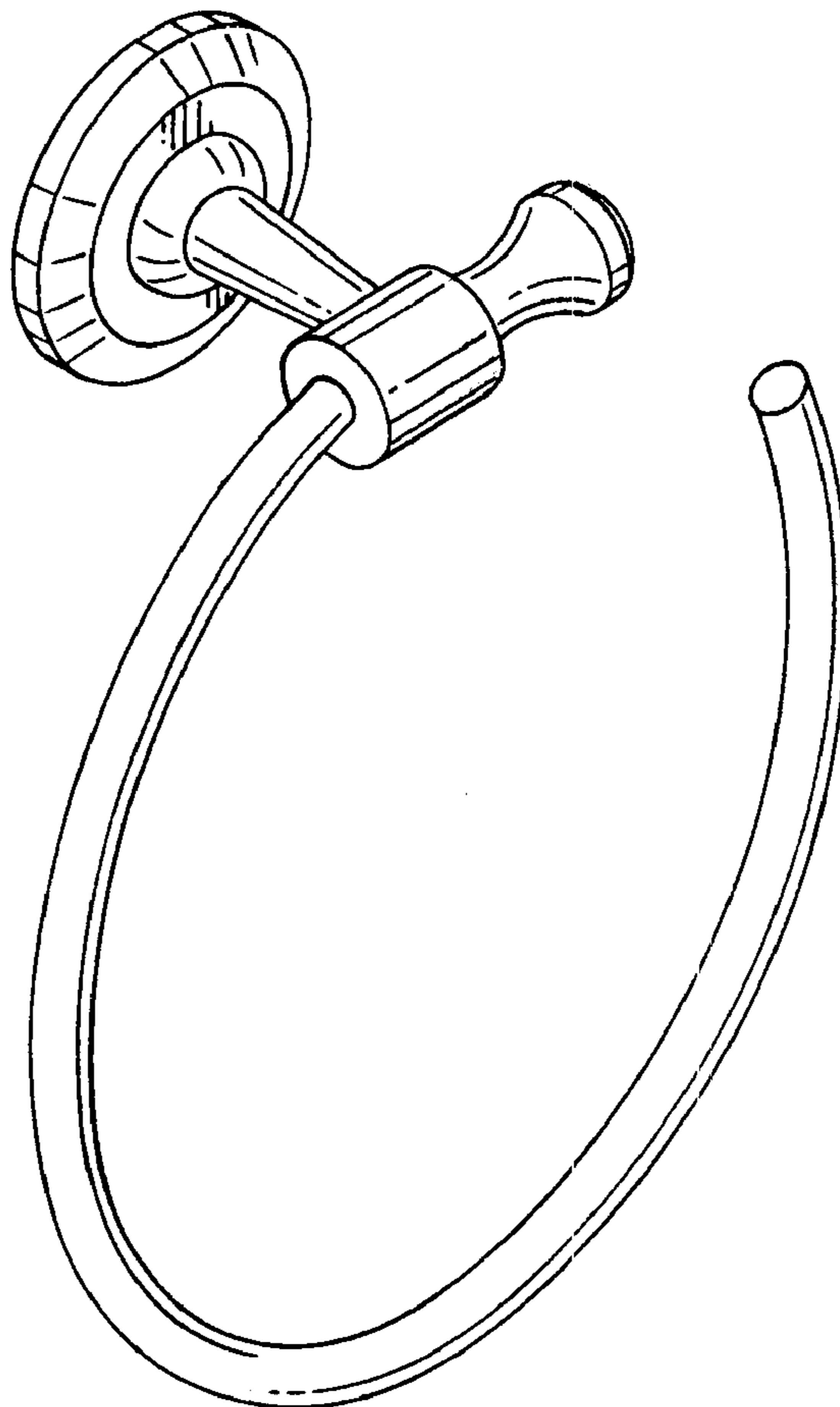
(57) **CLAIM**

The ornamental design for a towel ring, as shown and described.

**DESCRIPTION**

FIG. 1 is a perspective view showing my new design.  
FIG. 2 is a front view thereof.  
FIG. 3 is a top view thereof.  
FIG. 4 is a right side view thereof.  
FIG. 5 is a back view thereof; and,  
FIG. 6 is a bottom view thereof.

**1 Claim, 1 Drawing Sheet**



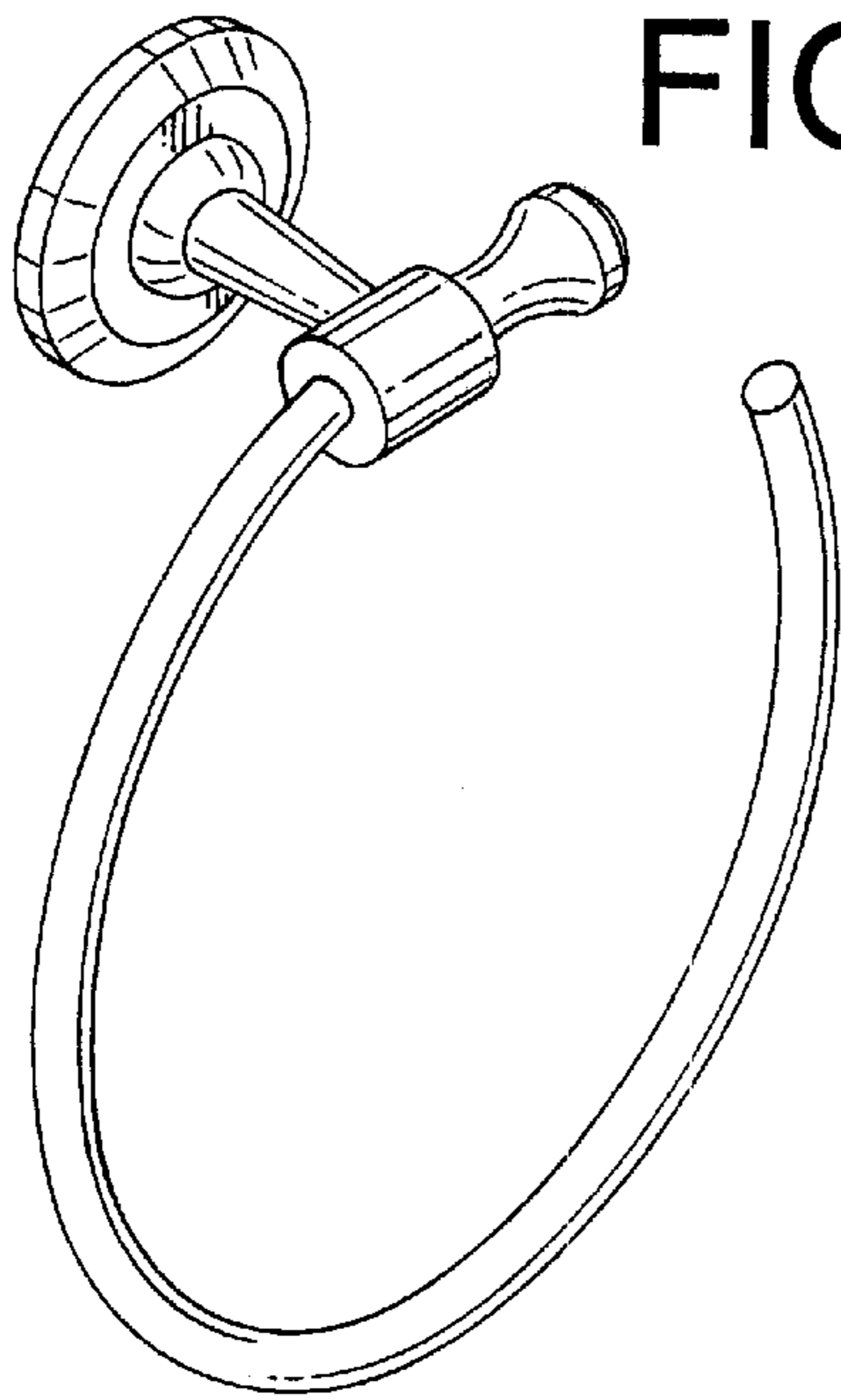


FIG. 1

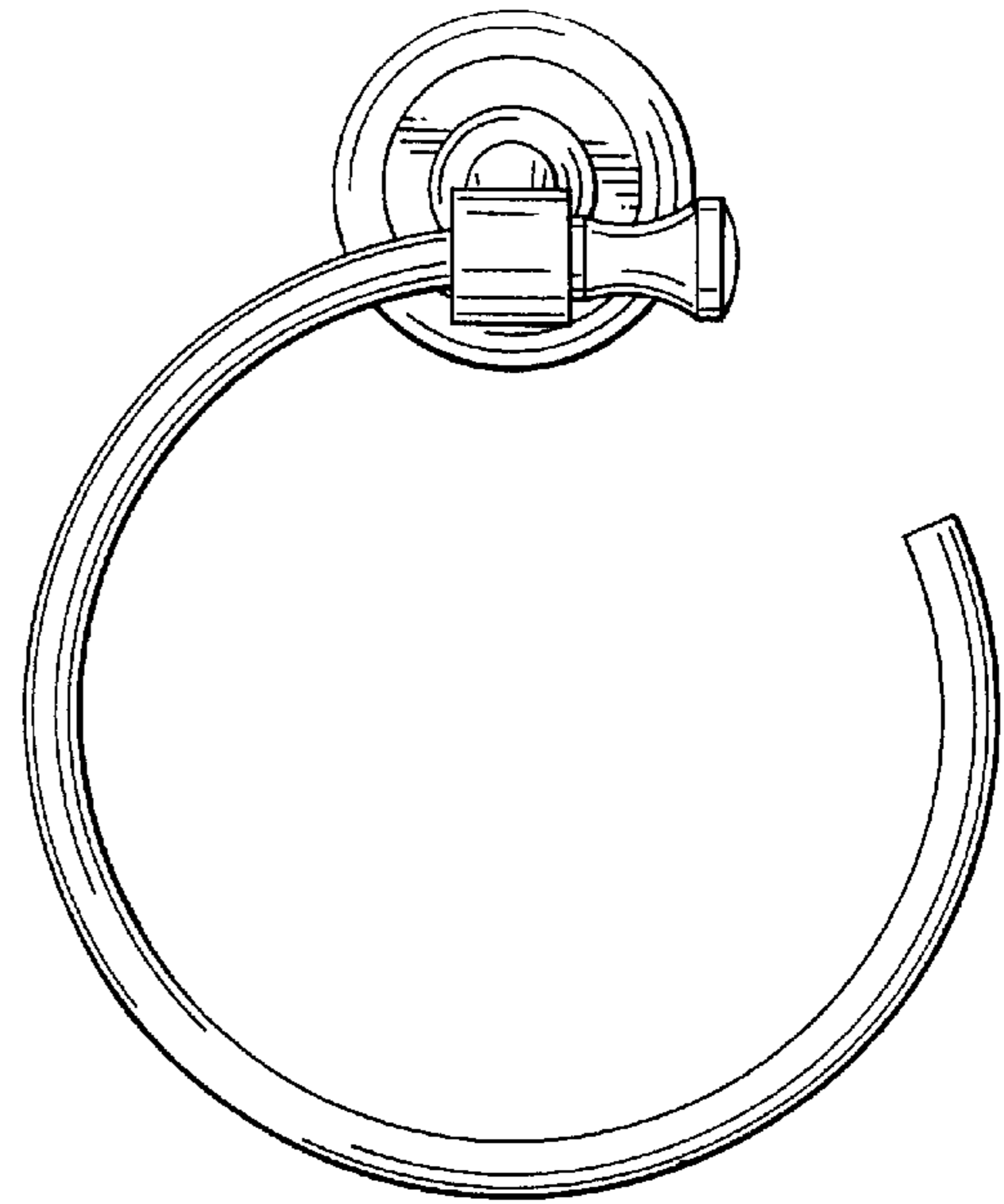


FIG. 2

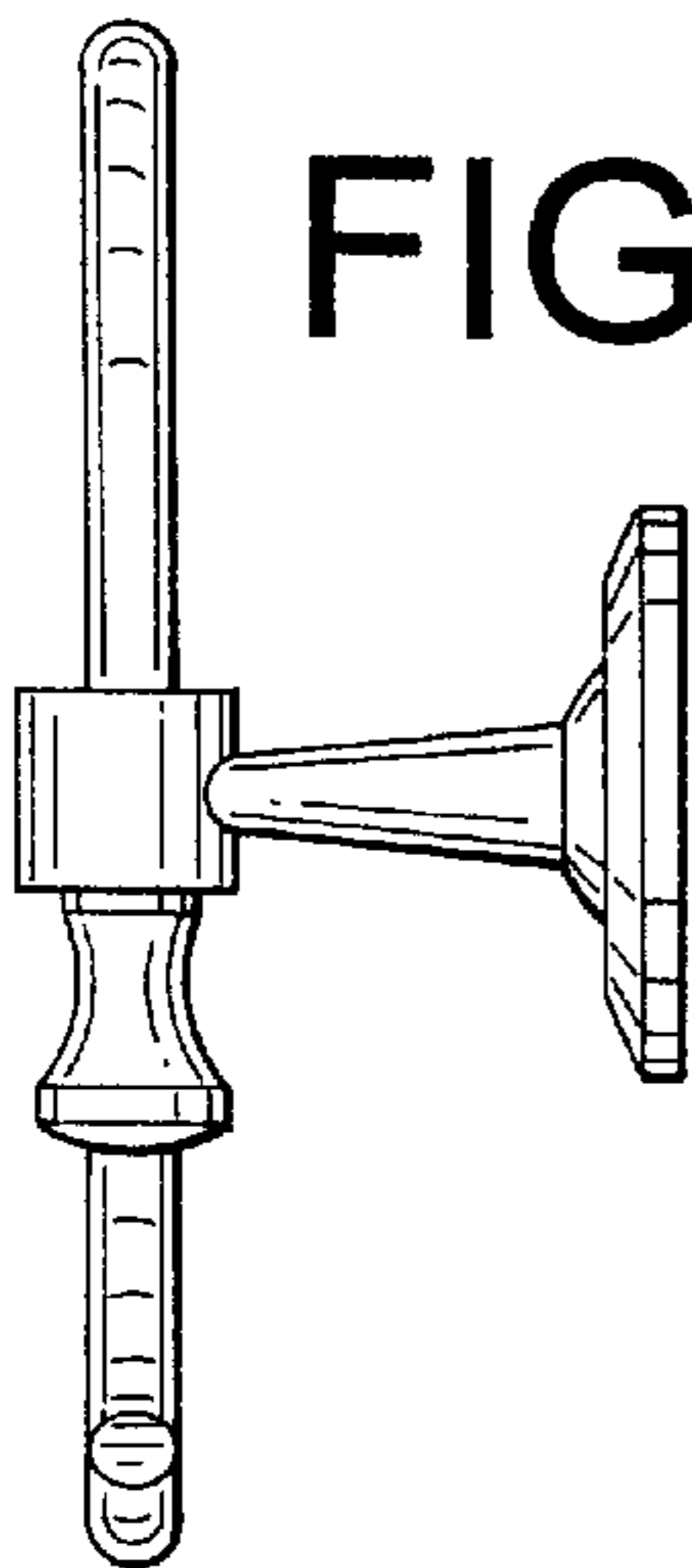


FIG. 3

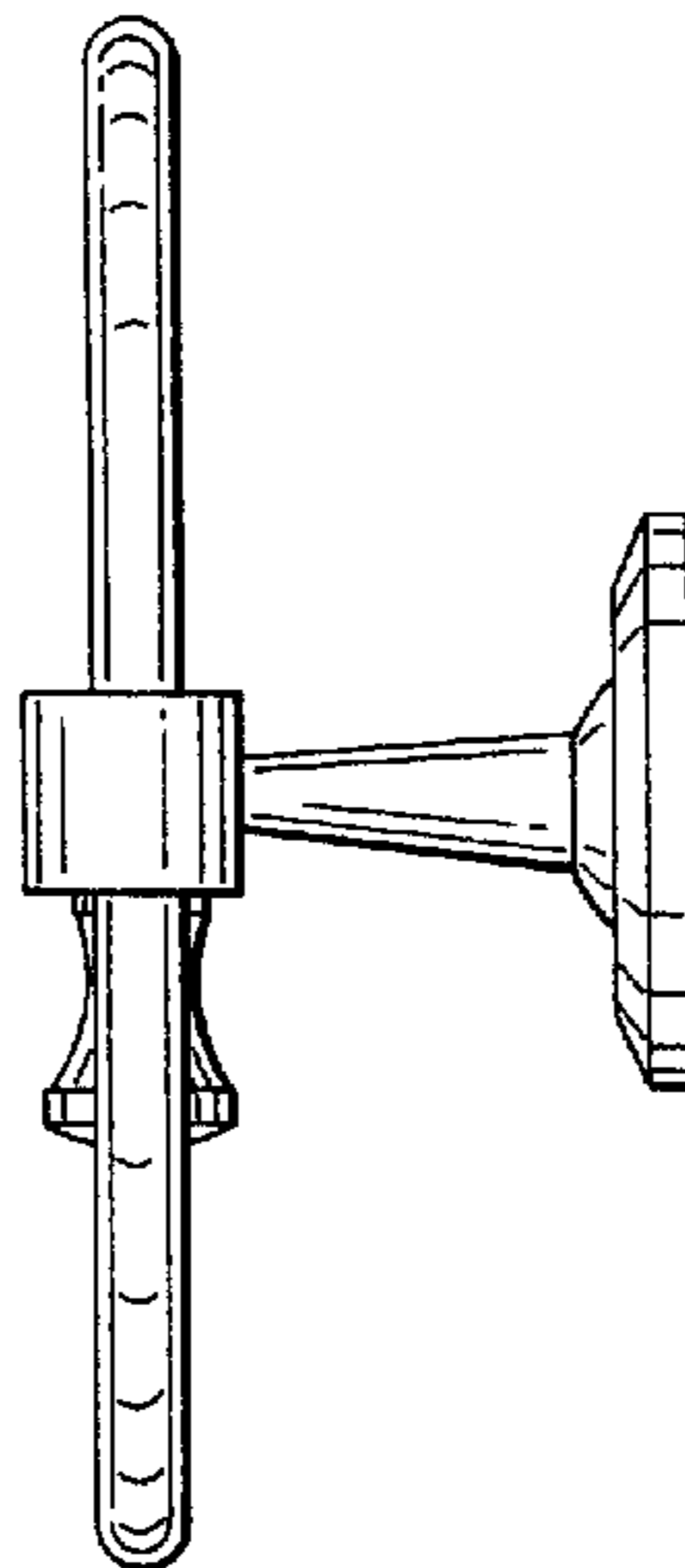


FIG. 6

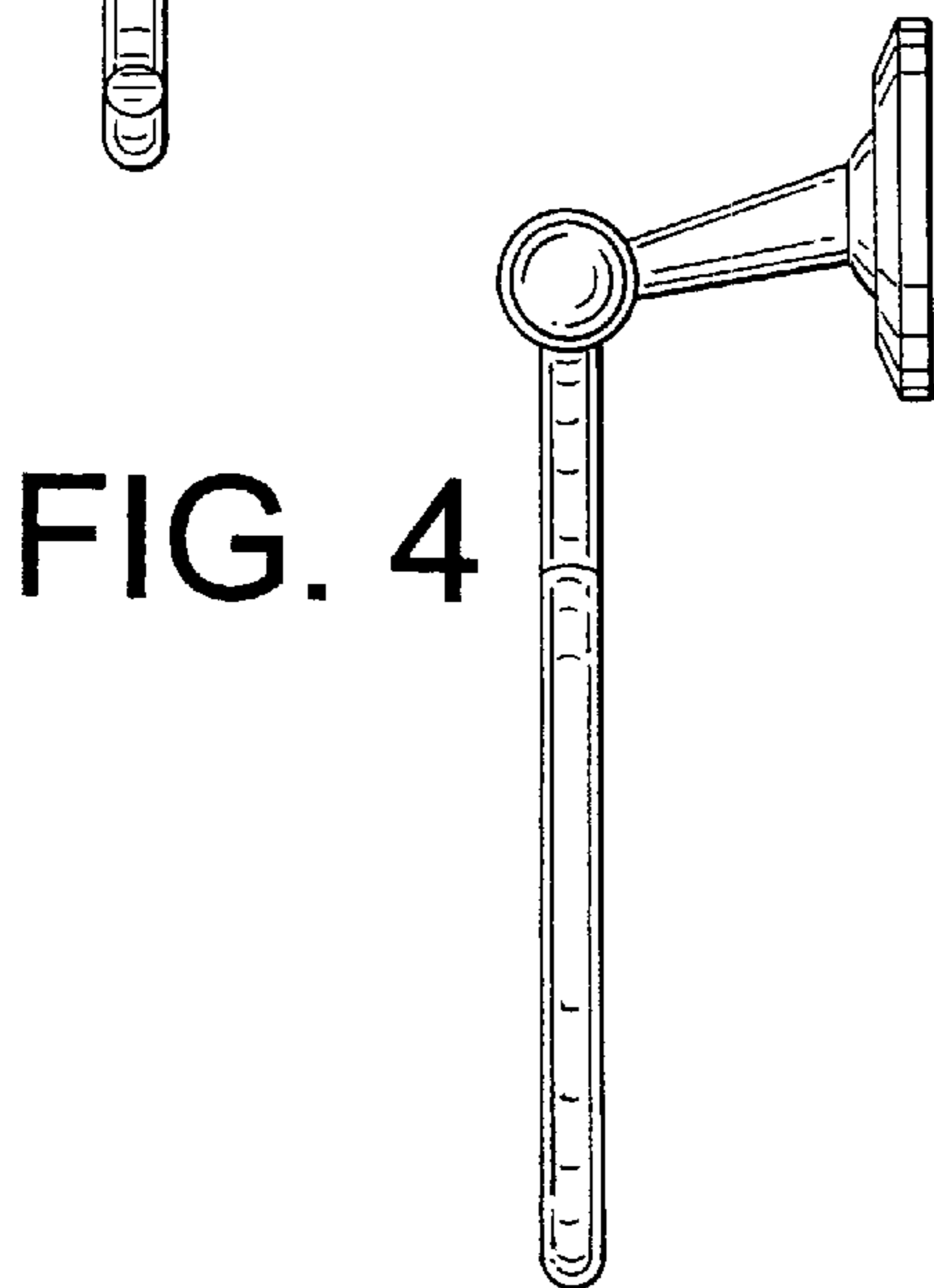


FIG. 4

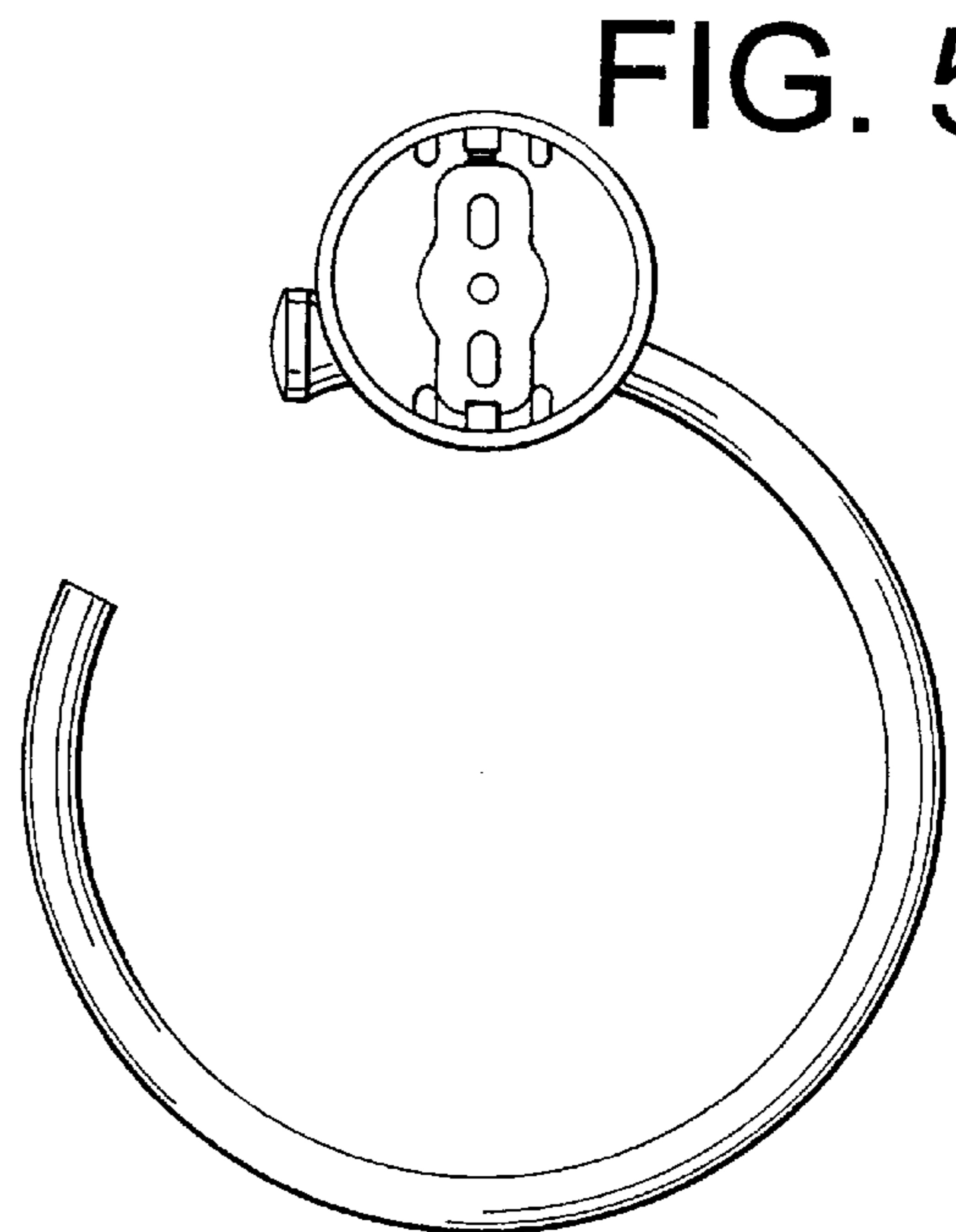


FIG. 5

UNITED STATES PATENT AND TRADEMARK OFFICE  
**CERTIFICATE OF CORRECTION**

PATENT NO. : Des. 453,434 S  
DATED : February 12, 2002  
INVENTOR(S) : Kuo-Chi Yen

Page 1 of 1

It is certified that error appears in the above-identified patent and that said Letters Patent is hereby corrected as shown below:

Title page,

Item [12], delete "**Ou-Young**" and substitute -- **Yen** -- in its place.

Item [75], delete "**Ming Ou-Young,**" and substitute -- **Kuo-Chi Yen,** -- in its place.

Signed and Sealed this

Twenty-fifth Day of February, 2003

A handwritten signature in black ink, appearing to read "James E. Rogan", with a horizontal line drawn underneath it.

JAMES E. ROGAN  
*Director of the United States Patent and Trademark Office*