



US00D453431S

(12) **United States Design Patent**  
**Volkman et al.**

(10) **Patent No.:** **US D453,431 S**

(45) **Date of Patent:** **\*\* Feb. 12, 2002**

(54) **STADIUM DESK**

(75) Inventors: **Robert P. Volkman**, Arlington Heights, IL (US); **Michael J. Volkman**, Aurora, CO (US)

(73) Assignee: **Paul Robby Associates, LLP**, Aurora, CO (US)

(\*\*) Term: **14 Years**

(21) Appl. No.: **29/143,312**

(22) Filed: **Jun. 12, 2001**

**Related U.S. Application Data**

(62) Division of application No. 29/120,051, filed on Mar. 13, 2000.

(51) **LOC (7) Cl.** ..... **06-06**

(52) **U.S. Cl.** ..... **D6/511; D21/355; D21/357; D6/450; D6/451**

(58) **Field of Search** ..... D6/422-428, 511, D6/450, 451, 493, 491; 312/194-196, 239, 208.1, 204; 108/50.01, 50.02; D21/318, 356, 357, 355

(56) **References Cited**

**U.S. PATENT DOCUMENTS**

D231,374 S \* 4/1974 Moe ..... D21/318  
D246,315 S \* 11/1977 Tongish ..... D6/420 X  
D298,890 S \* 12/1988 LaCour ..... D6/426

D322,527 S \* 12/1991 Barfield ..... D21/356  
D323,590 S \* 2/1992 Barfield ..... D21/355  
D325,135 S \* 4/1992 Barfield ..... D21/357  
D325,306 S \* 4/1992 Barfield ..... D21/355  
D423,839 S \* 5/2000 Reinmuth ..... D6/511

\* cited by examiner

*Primary Examiner*—Janice E. Seeger

(74) *Attorney, Agent, or Firm*—Leydig, Voit & Mayer, Ltd.

(57) **CLAIM**

The ornamental design of a stadium desk, as shown and described.

**DESCRIPTION**

FIG. 1 is a perspective view of a stadium desk, showing our new design;

FIG. 2 is a perspective view of a second embodiment of our new design;

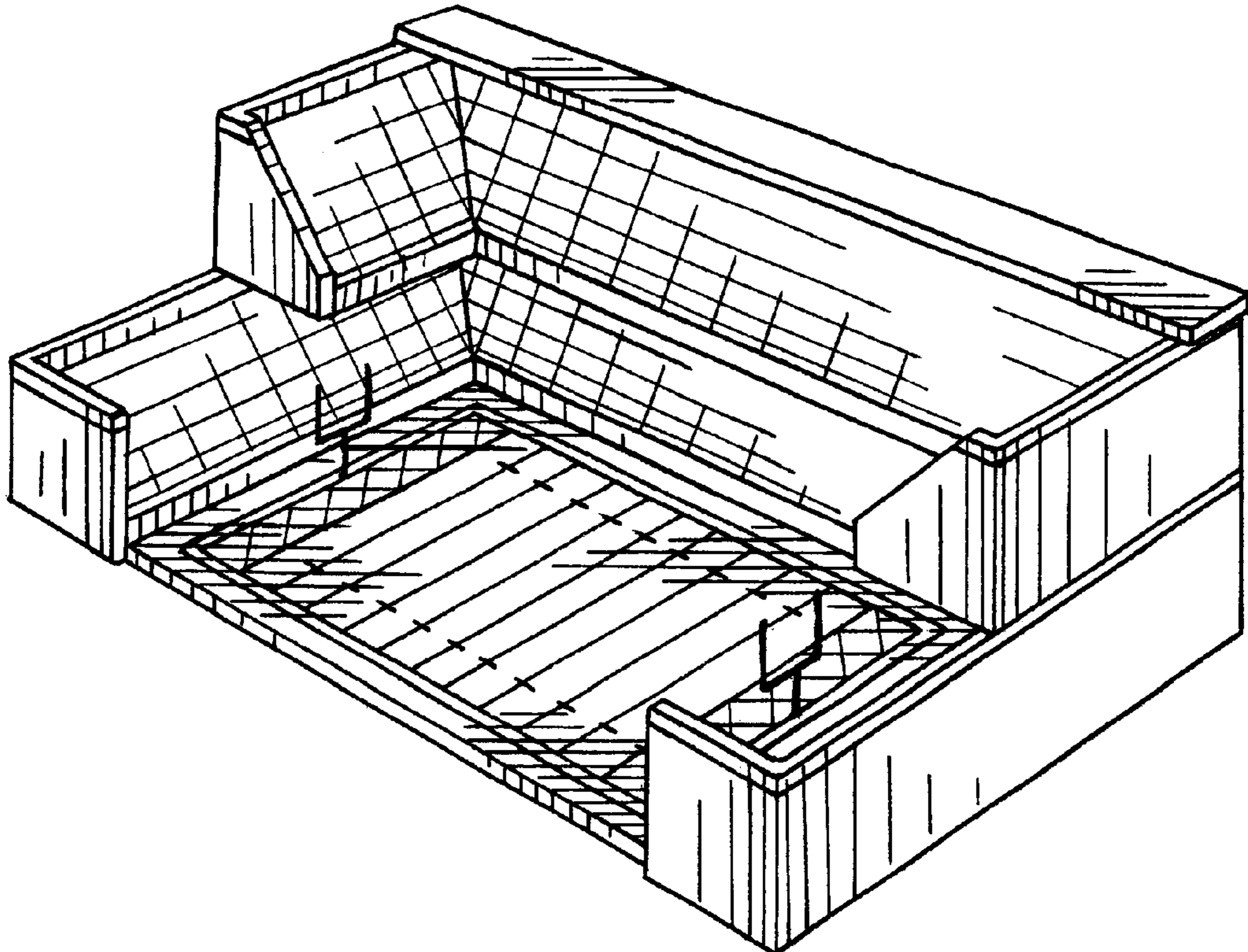
FIG. 3 is a perspective view of a third embodiment of our new design;

FIG. 4 is a perspective view of a fourth embodiment of our new design; and,

FIG. 5 is a perspective view of a fifth embodiment of our new design.

Those portions of the figures in broken lines represent an example of the environment in which the designs of the present invention may be located, e.g., a desk base. The broken lines, however, form no part of the inventive design claimed herein.

**1 Claim, 3 Drawing Sheets**



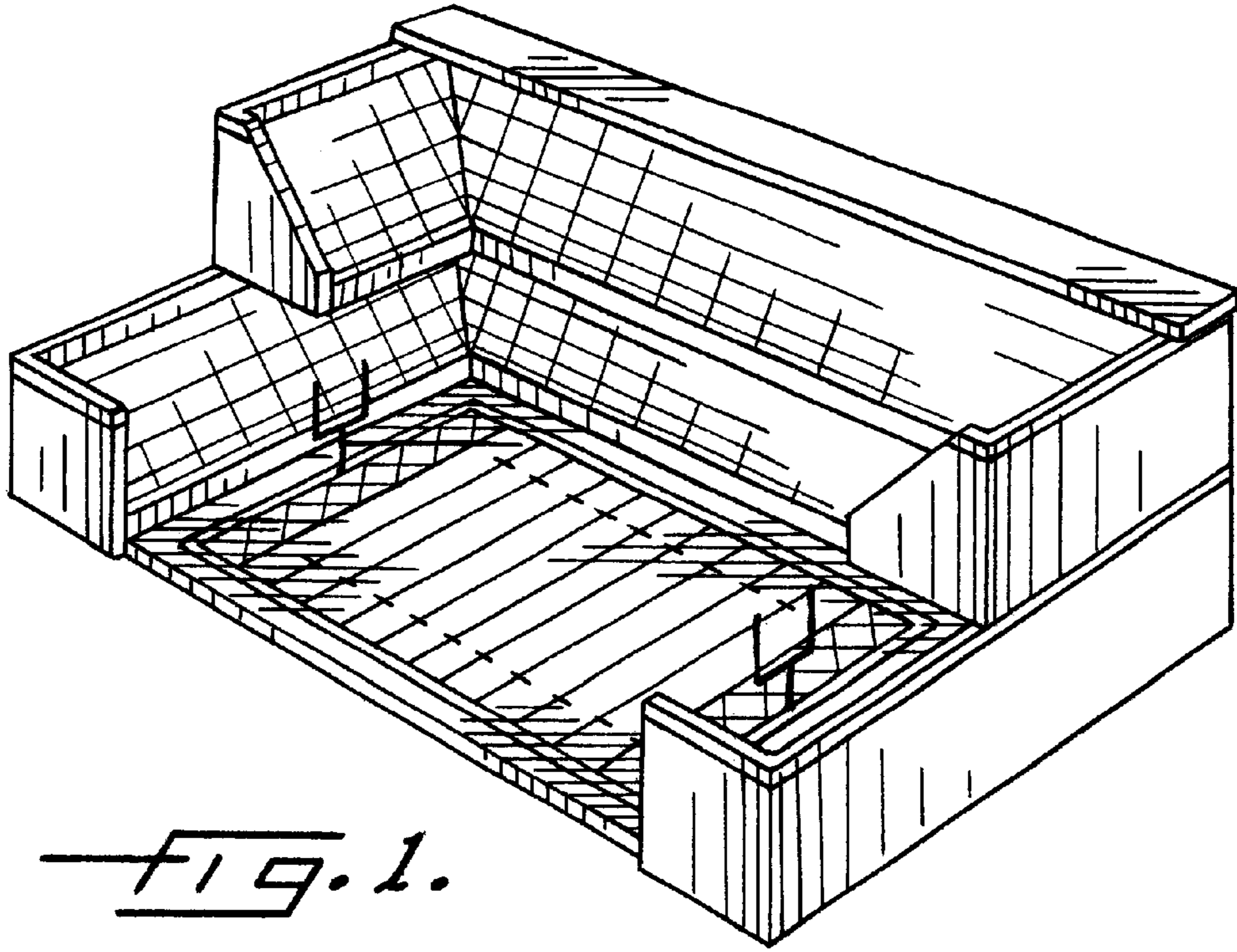


FIG. 1.

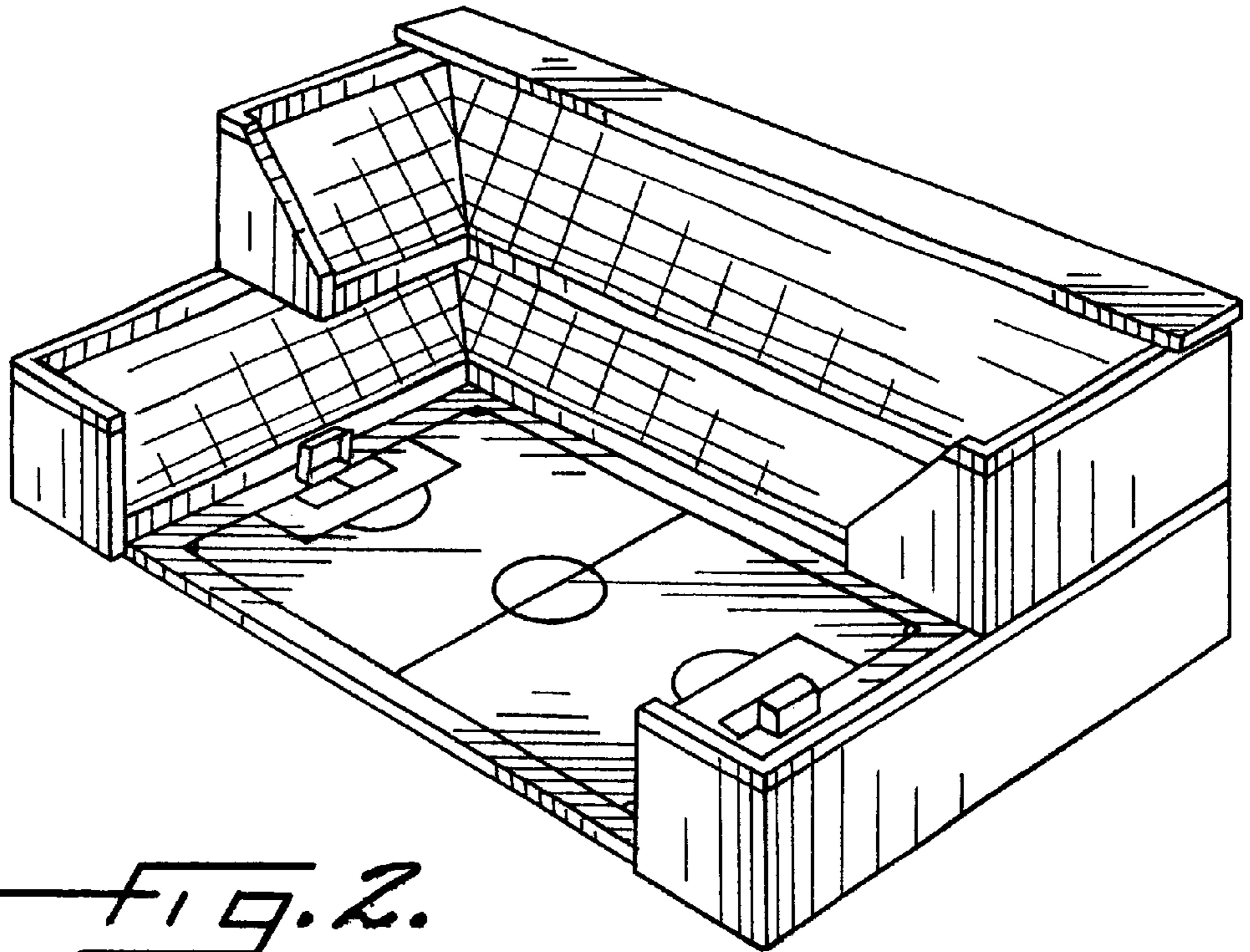
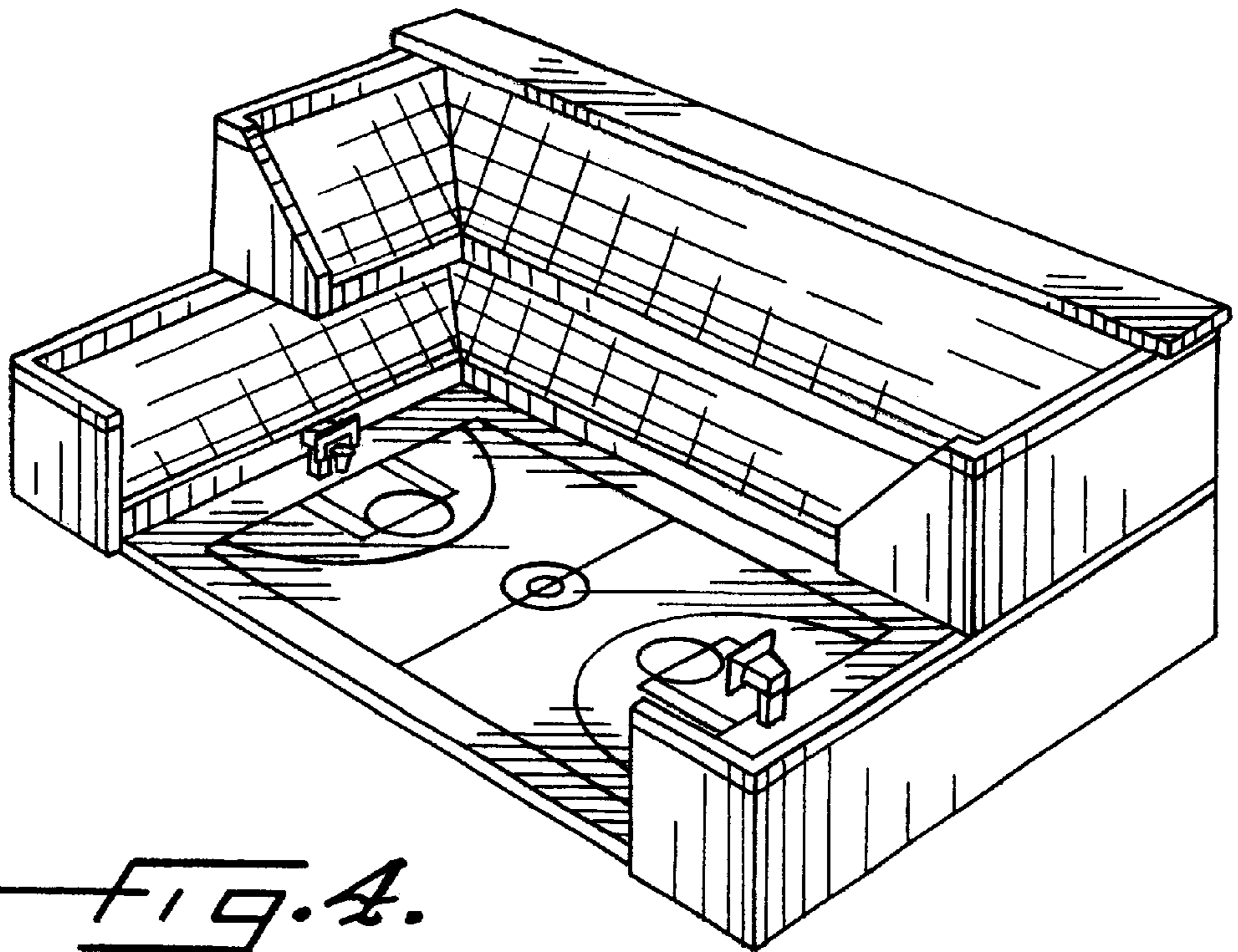
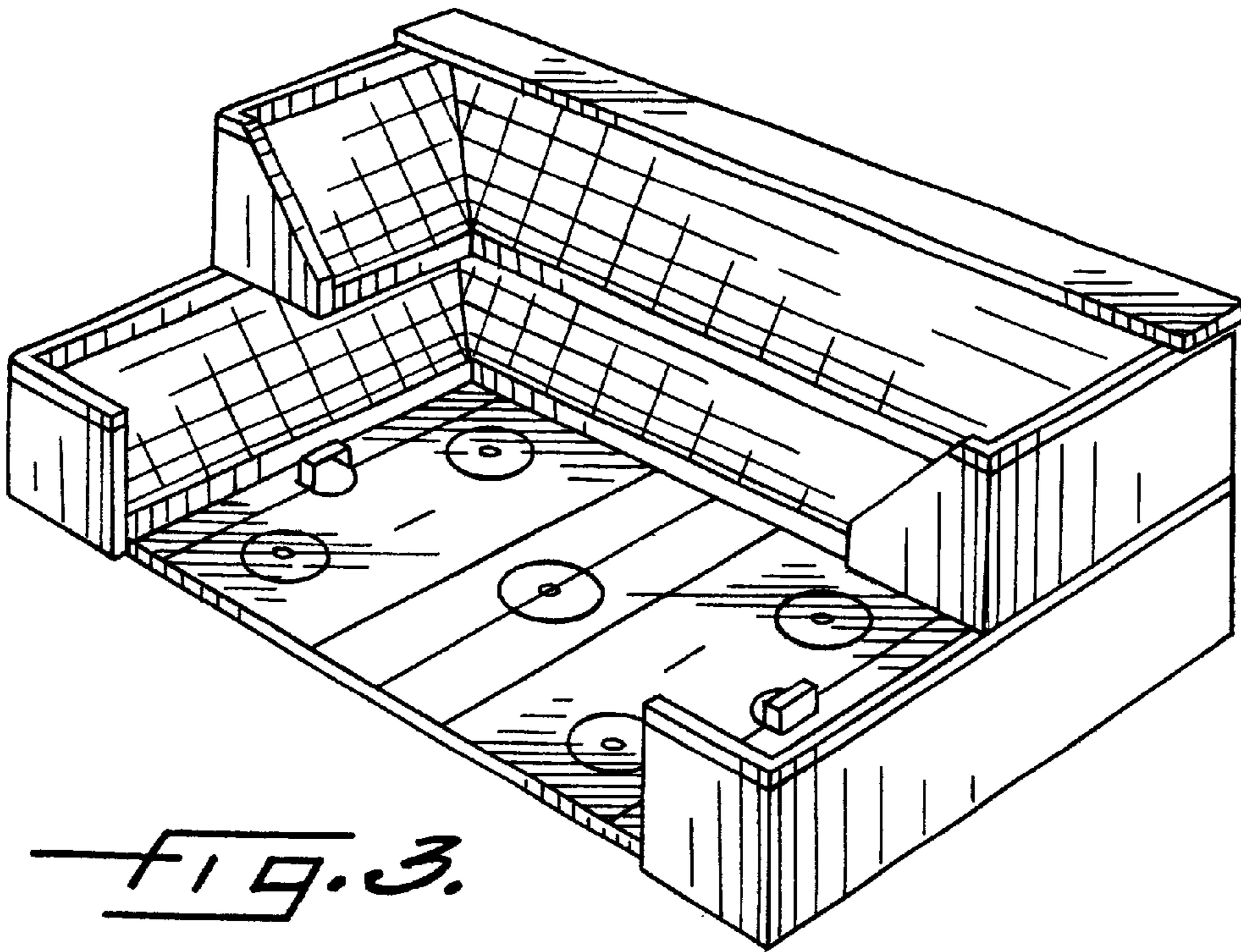


FIG. 2.



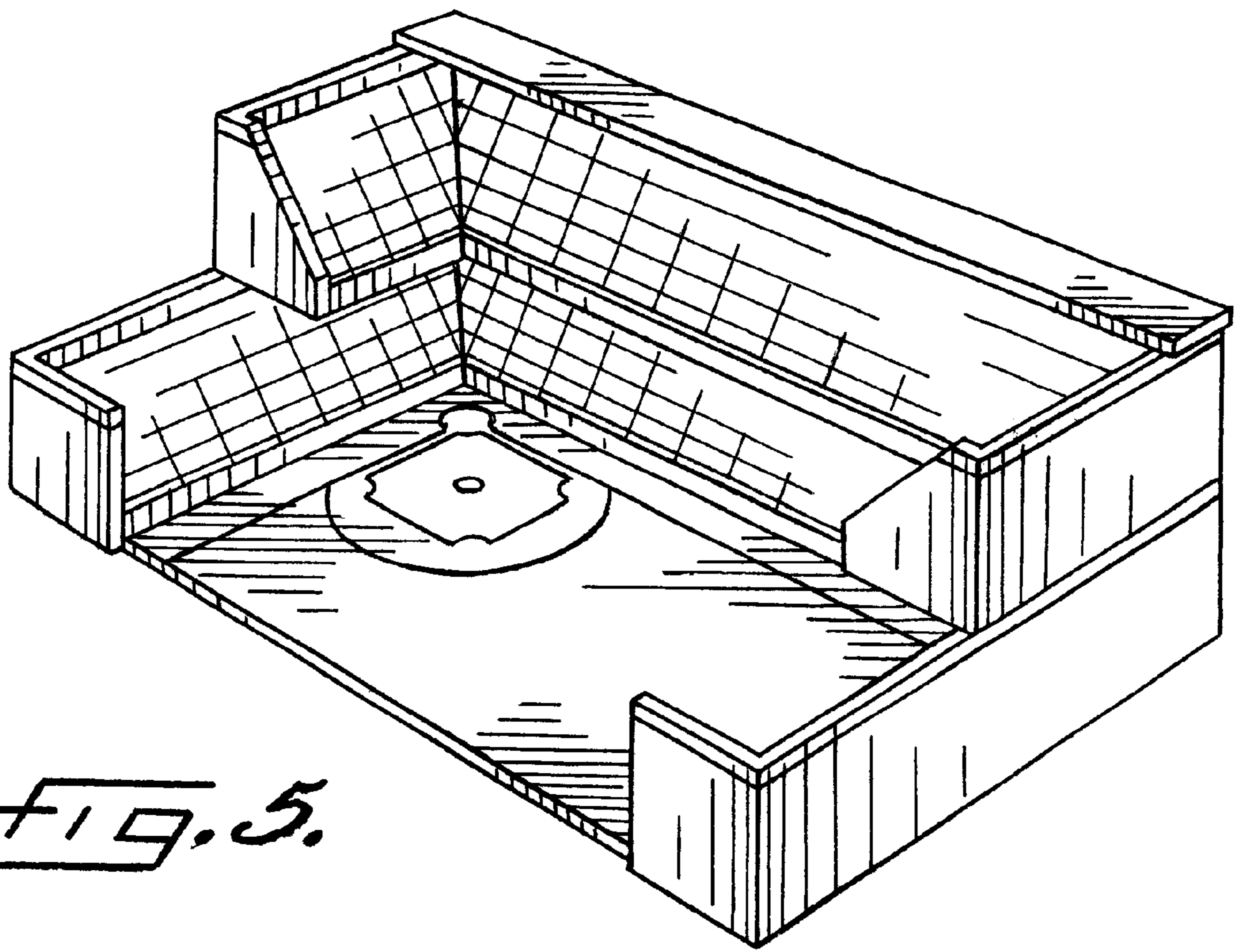


FIG. 5.