



US00D453424S

(12) **United States Design Patent**
Stewart

(10) **Patent No.:** **US D453,424 S**

(45) **Date of Patent:** **** Feb. 12, 2002**

(54) **SEAT**

D386,322 S 11/1997 Maury D6/370
D396,358 S * 7/1998 Geier D6/349

(75) Inventor: **Kipp Stewart**, Carmel, CA (US)

OTHER PUBLICATIONS

(73) Assignee: **Landscape Forms, Inc.**, Kalamazoo, MI (US)

Sling Console Table, Bradford Stewart & Company, Palo Alto, CA 1995, 2 pp.

(**) Term: **14 Years**

Poolside Collection, Bradford Stewart & Company, Oakland, CA 1996, 2 pp.

(21) Appl. No.: **29/149,123**

Landscape Forms Inc., 1995, bench at top, p. 11.

(22) Filed: **Oct. 3, 2001**

Dalvey Products, Aug. 15, 1995, Bench #A.

* cited by examiner

Related U.S. Application Data

Primary Examiner—Janice E. Seeger

(62) Division of application No. 29/130,232, filed on Sep. 29, 2000.

(74) *Attorney, Agent, or Firm*—Heslin Rothenberg Farley & Mesiti P.C.

(51) **LOC (7) Cl.** **06-01**

(57) **CLAIM**

(52) **U.S. Cl.** **D6/349**

The ornamental design for a seat, as shown and described.

(58) **Field of Search** D6/349, 350, 351, D6/352, 353, 370, 355, 381, 382; 297/195.11, 423.1, 423.11, 423.39, 423.41, 423.42, 423.43, 461, 462

DESCRIPTION

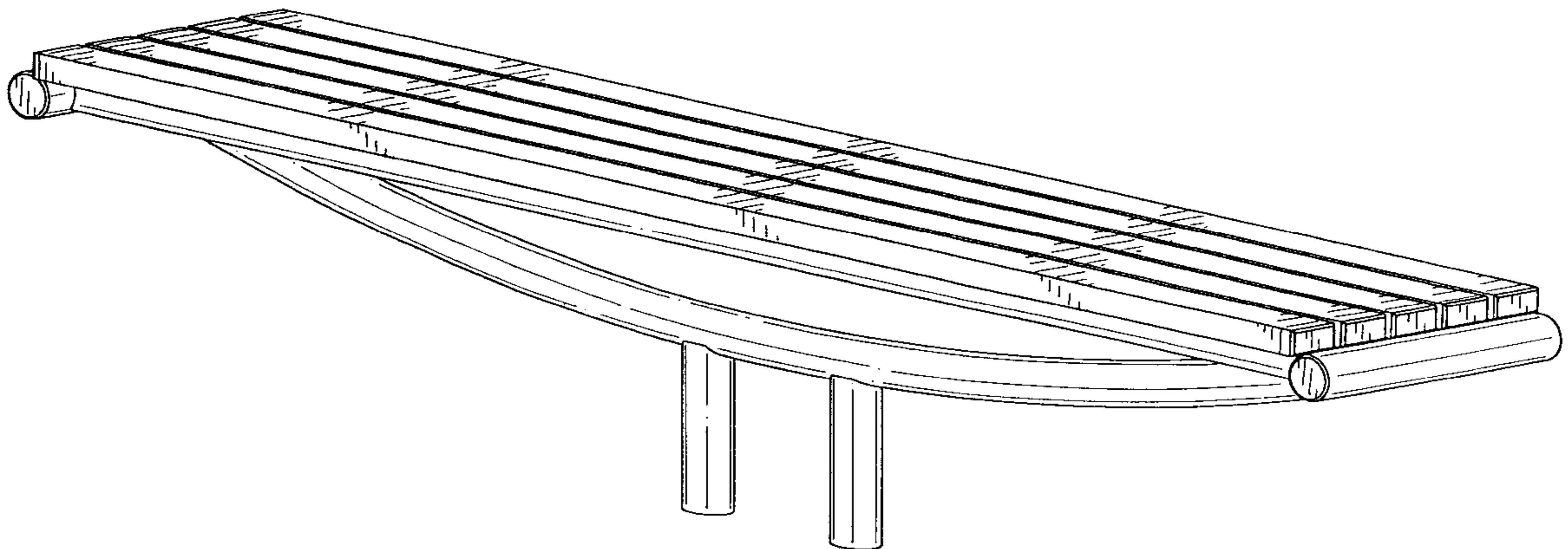
(56) **References Cited**

FIG. 1 is an isometric view of the seat of my new design; FIG. 2 is a top plan view thereof; FIG. 3 is a front elevational view thereof, the rear elevational view being a mirror image thereof; FIG. 4 is a left side elevational view thereof, the right side elevational view being a mirror image thereof; and, FIG. 5 is a bottom plan view thereof.

U.S. PATENT DOCUMENTS

D299,595 S 1/1989 Shields D6/335
D336,796 S 6/1993 Chang D6/370
D365,937 S * 1/1996 Skalka D6/370

1 Claim, 4 Drawing Sheets



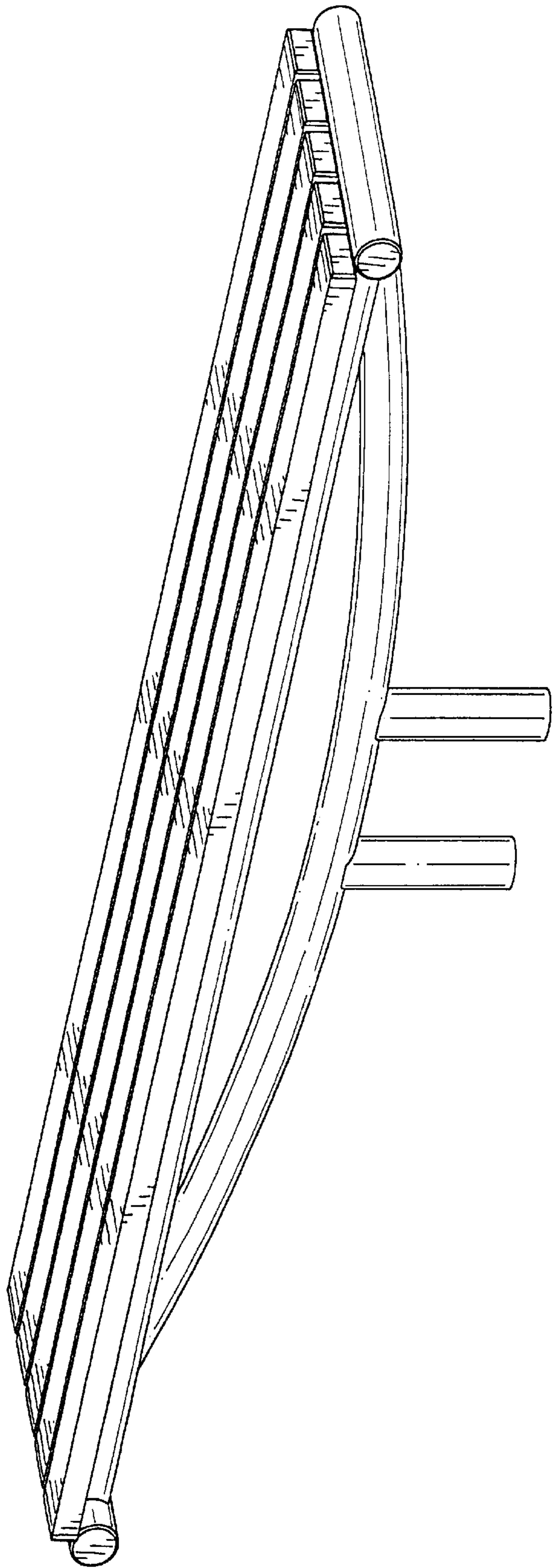


FIG. 1

FIG. 2

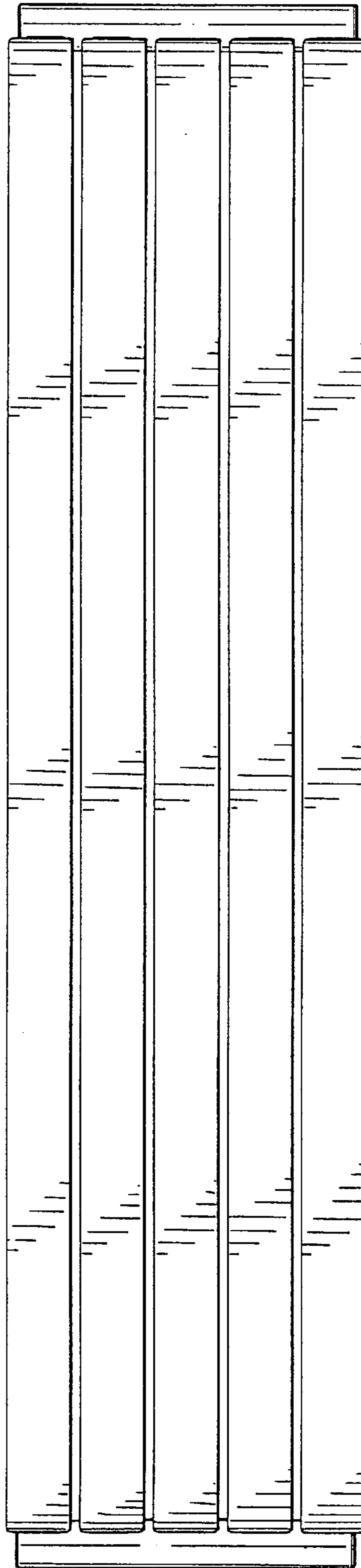
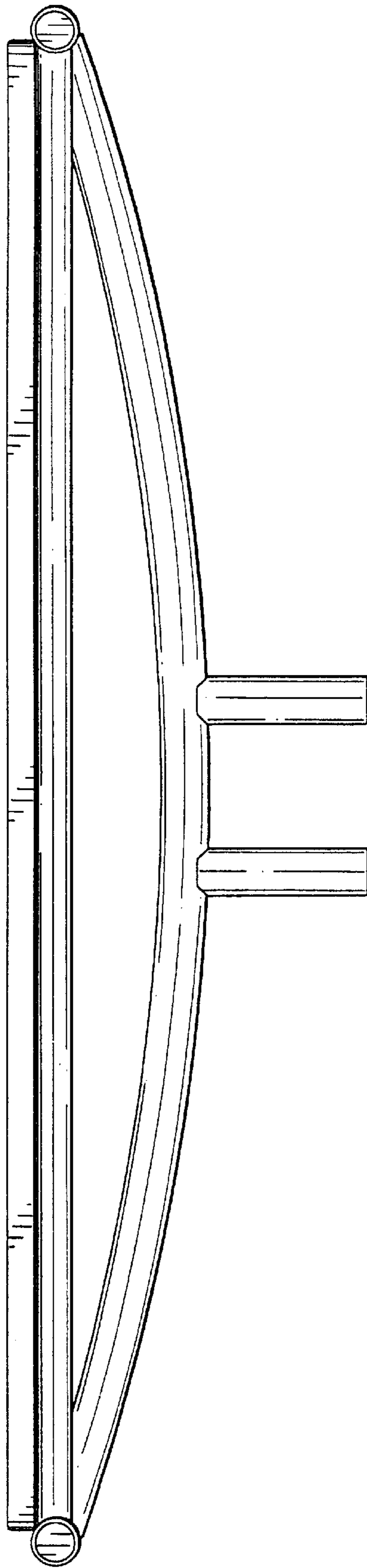


FIG. 3



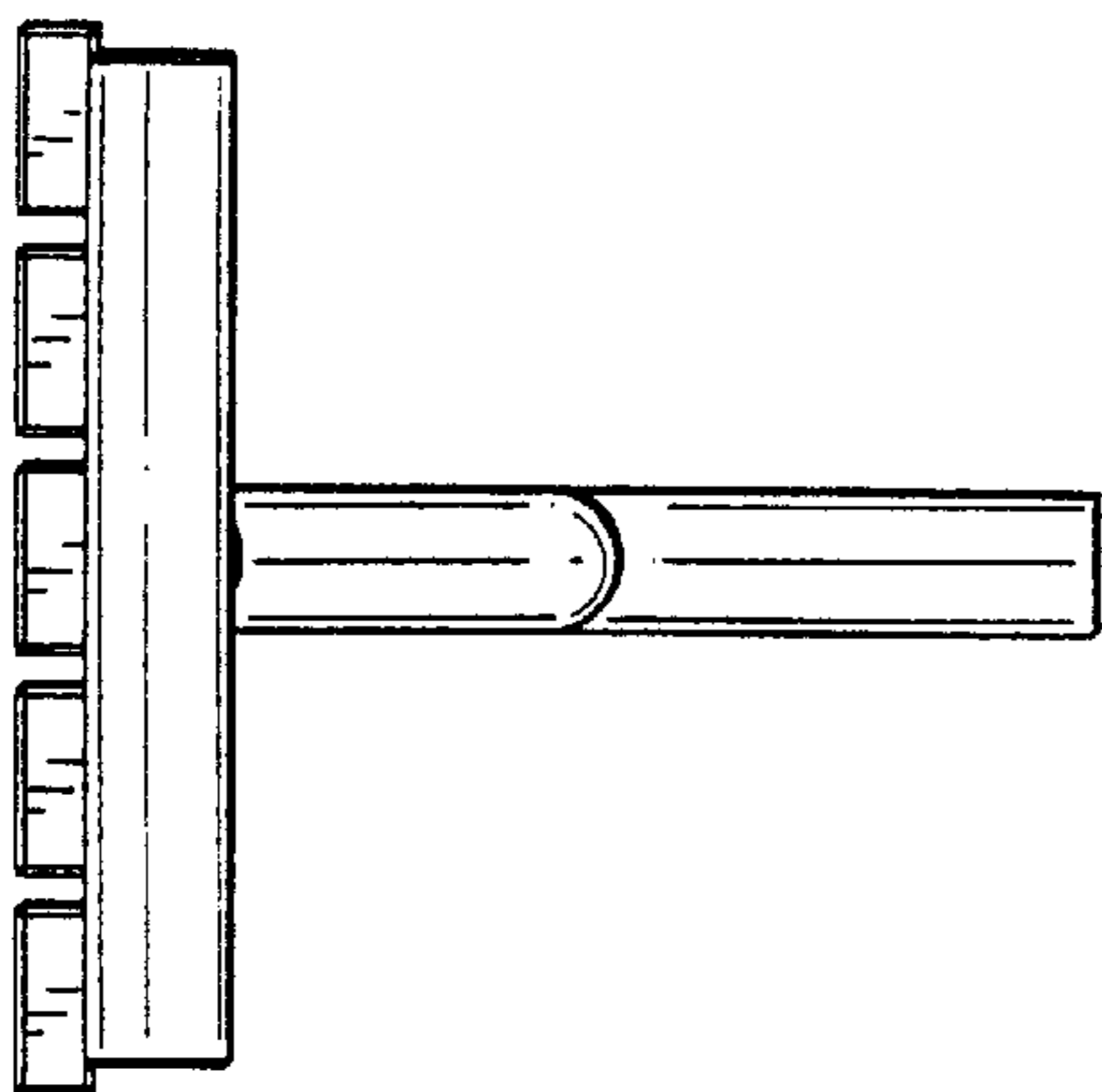


FIG. 4

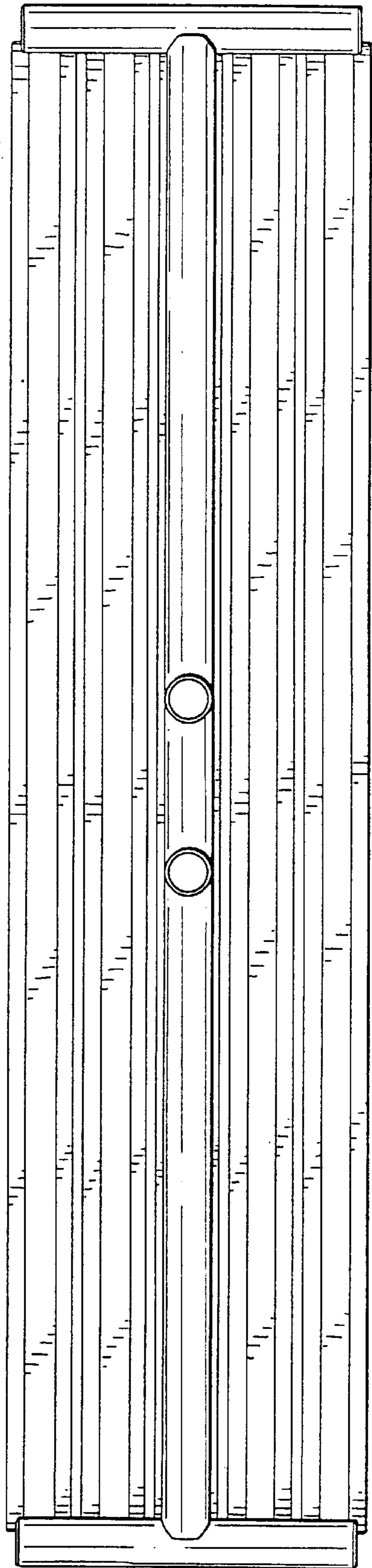


FIG. 5