



US00D453417S

(12) **United States Design Patent** (10) **Patent No.:** **US D453,417 S**  
**Badillo et al.** (45) **Date of Patent:** **\*\* Feb. 12, 2002**

(54) **CELLULAR PHONE CARRYING CASE WITH BUILT-IN ADJUSTABLE STAND**

(75) Inventors: **Paul Badillo; Sandra Martinez**, both of Littleton; **Richard N. Case**, Boulder, all of CO (US)

(73) Assignee: **Intelligent Designs 2000 Corp.**, Denver, CO (US)

(\*\*) Term: **14 Years**

(21) Appl. No.: **29/137,521**

(22) Filed: **Feb. 21, 2001**

(51) **LOC (7) Cl.** ..... **03-01**

(52) **U.S. Cl.** ..... **D3/218**

(58) **Field of Search** ..... D3/218, 215, 224, D3/226, 228, 232, 233, 299; 224/904, 901, 240, 236; D14/138, 251, 253

(56) **References Cited**

**U.S. PATENT DOCUMENTS**

D323,504 S	*	1/1992	Langton	.....	D14/253
D382,996 S	*	9/1997	Kopel	.....	D3/218
D395,748 S	*	7/1998	Akutsu	.....	D3/218
D416,132 S	*	11/1999	Tan	.....	D3/218
D435,722 S	*	1/2001	Pepping	.....	D3/218

\* cited by examiner

*Primary Examiner*—Catherine R. Oliver

(74) *Attorney, Agent, or Firm*—Sheridan Ross P.C.

(57) **CLAIM**

The ornamental design for a cellular phone carrying case with built-in adjustable stand, as shown and described.

**DESCRIPTION**

FIG. 1 is a left perspective view of cellular phone carrying case with built-in adjustable stand showing our new design;

FIG. 2 is a left perspective view of the invention illustrated in FIG. 1 shown with the cover open and the stand in the open position, the broken lines showing environment for illustrative purposes only and forming no part of the claimed design;

FIG. 3 is a rear elevation view of the invention illustrated in FIG. 1;

FIG. 4 is a right elevation view of the invention illustrated in FIG. 1 shown with the stand bent and in the open position, the broken lines showing environment for illustrative purposes only and forming no part of the claimed design;

FIG. 5 is right elevation view of the invention illustrated in FIG. 1 shown with the stand in the open position, the broken lines showing environment for illustrative purposes only and forming no part of the claimed design;

FIG. 6 is a top plan view of the invention illustrated in FIG. 1, the broken lines showing environment for illustrative purposes only and forming no part of the claimed design;

FIG. 7 is a left elevation view of the invention illustrated in FIG. 1, the broken lines showing environment for illustrative purposes only and forming no part of the claimed design;

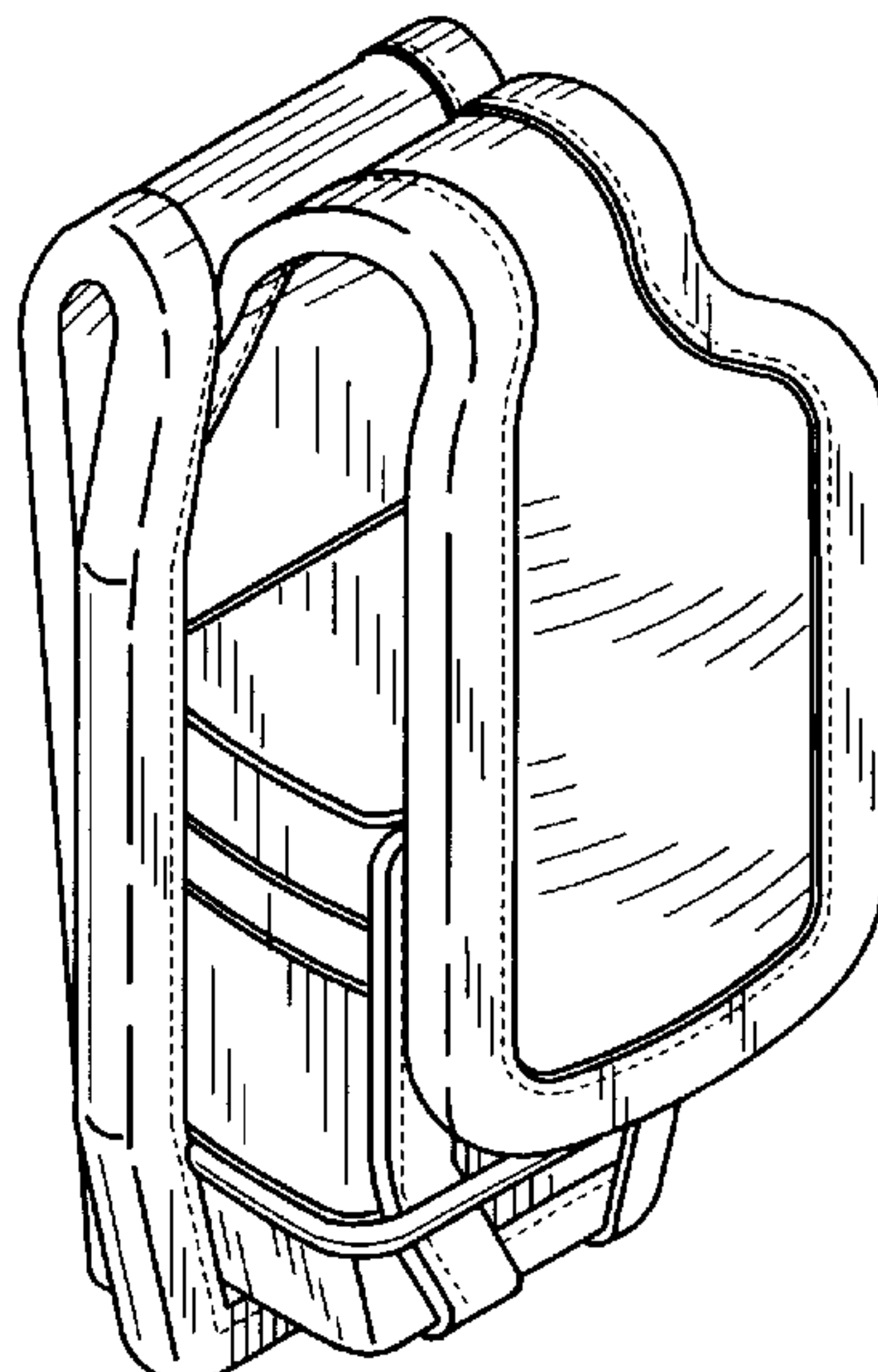
FIG. 8 is a front elevation view of the invention illustrated in FIG. 1;

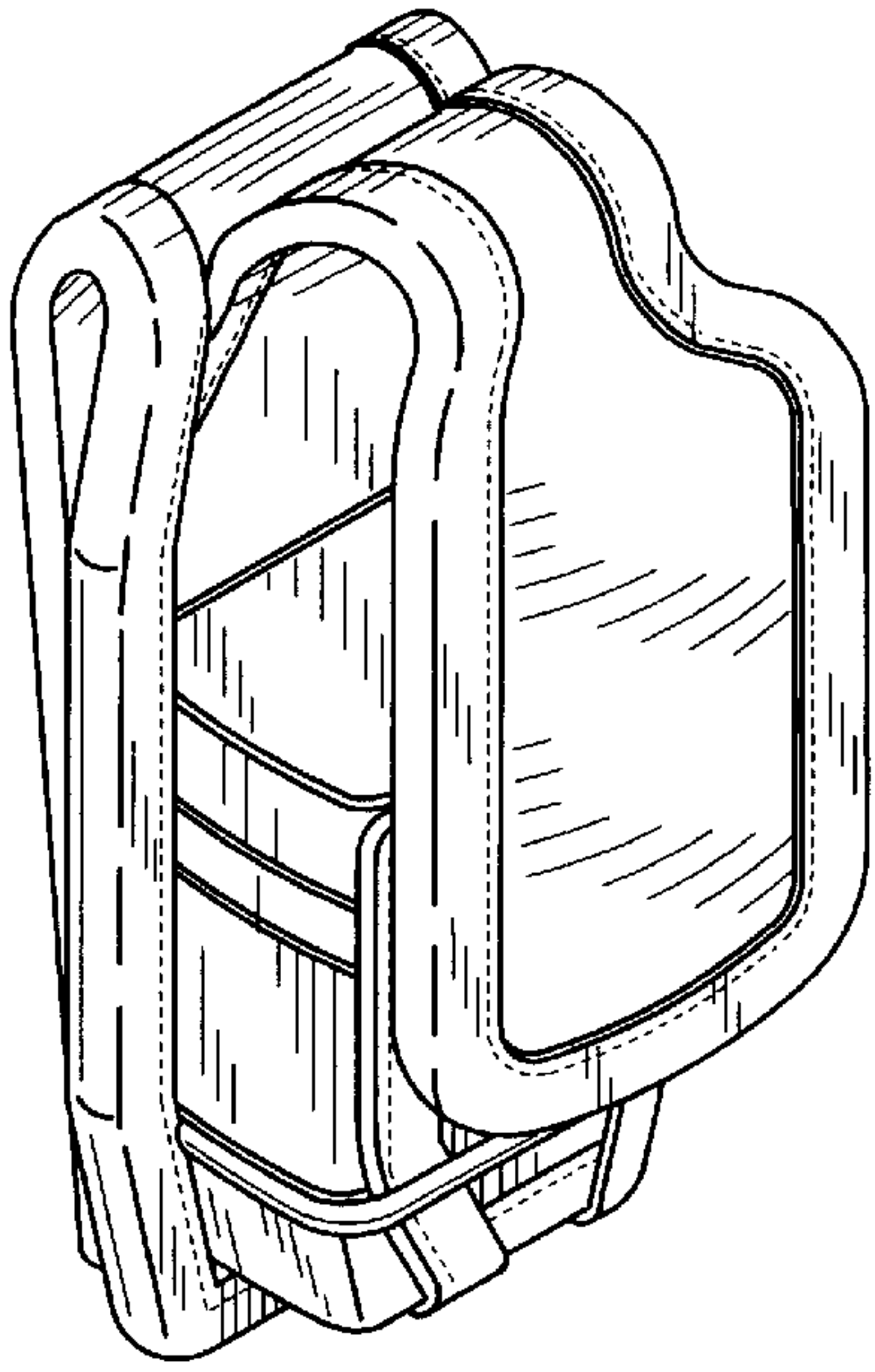
FIG. 9 is a right elevation view of the invention illustrated in FIG. 1, the broken lines showing environment for illustrative purposes only and forming no part of the claimed design; and,

FIG. 10 is a bottom plan view of the invention illustrated in FIG. 1.

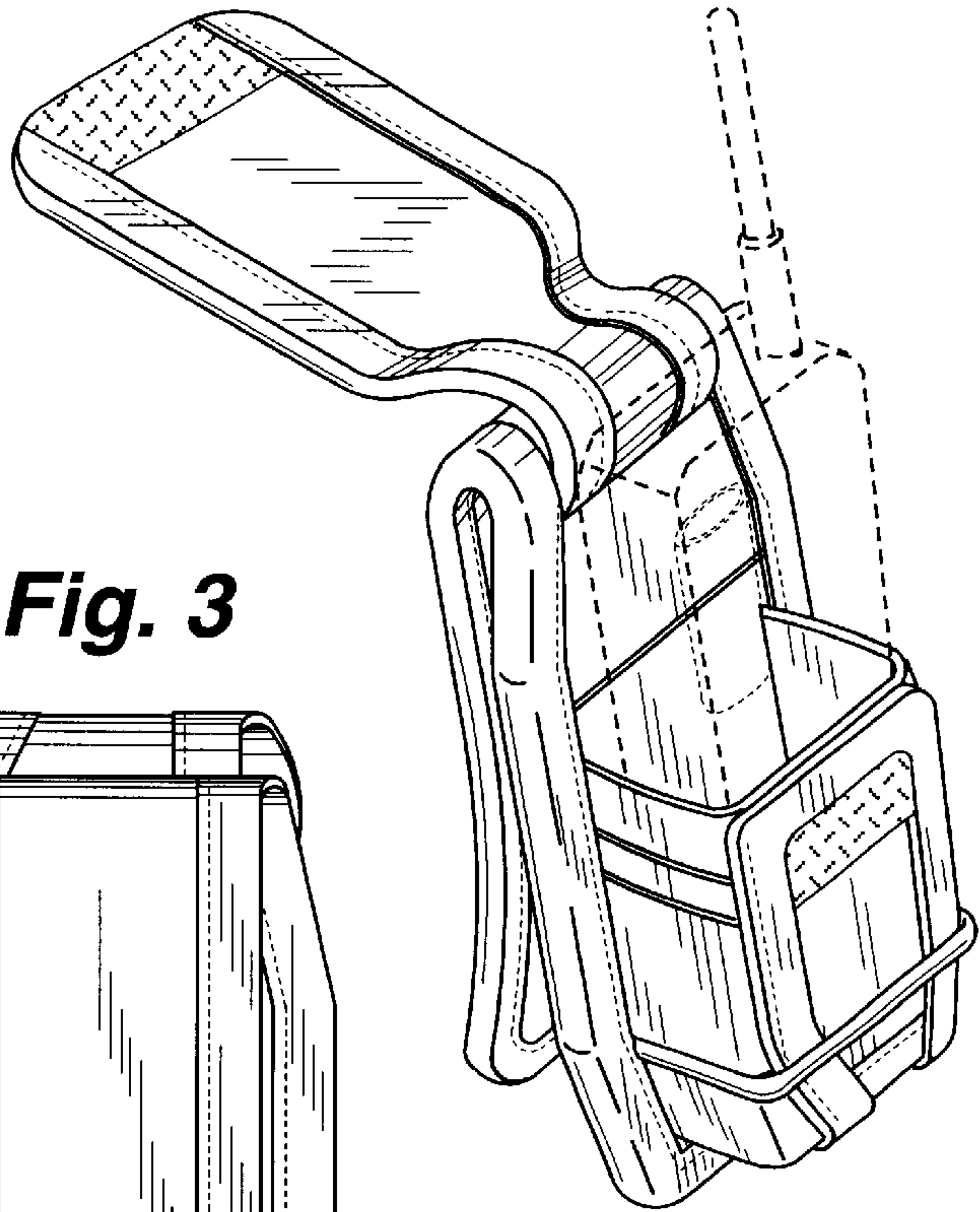
The dashed lines on the carrying case are understood to represent stitching.

**1 Claim, 2 Drawing Sheets**

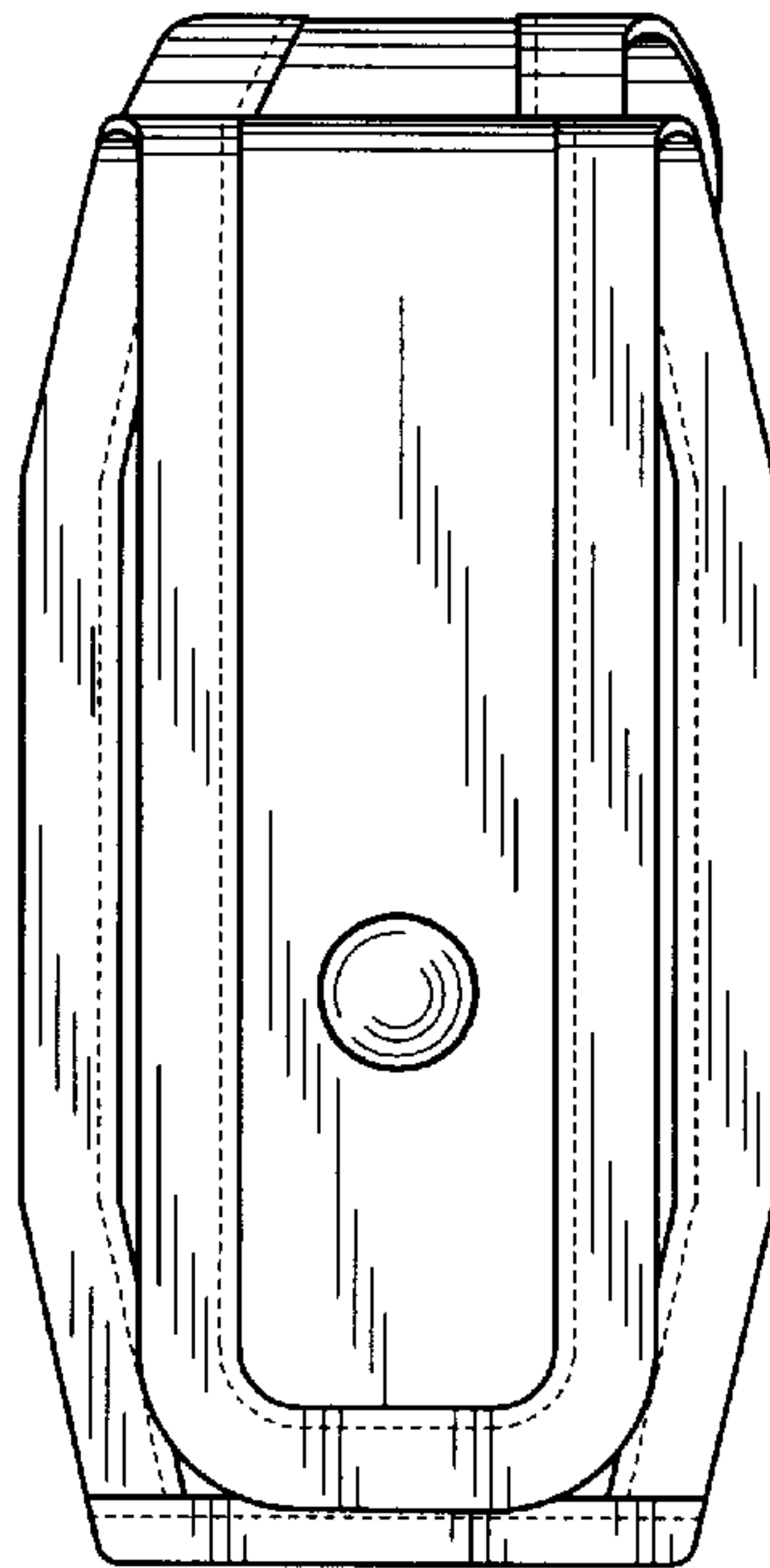




**Fig. 1**

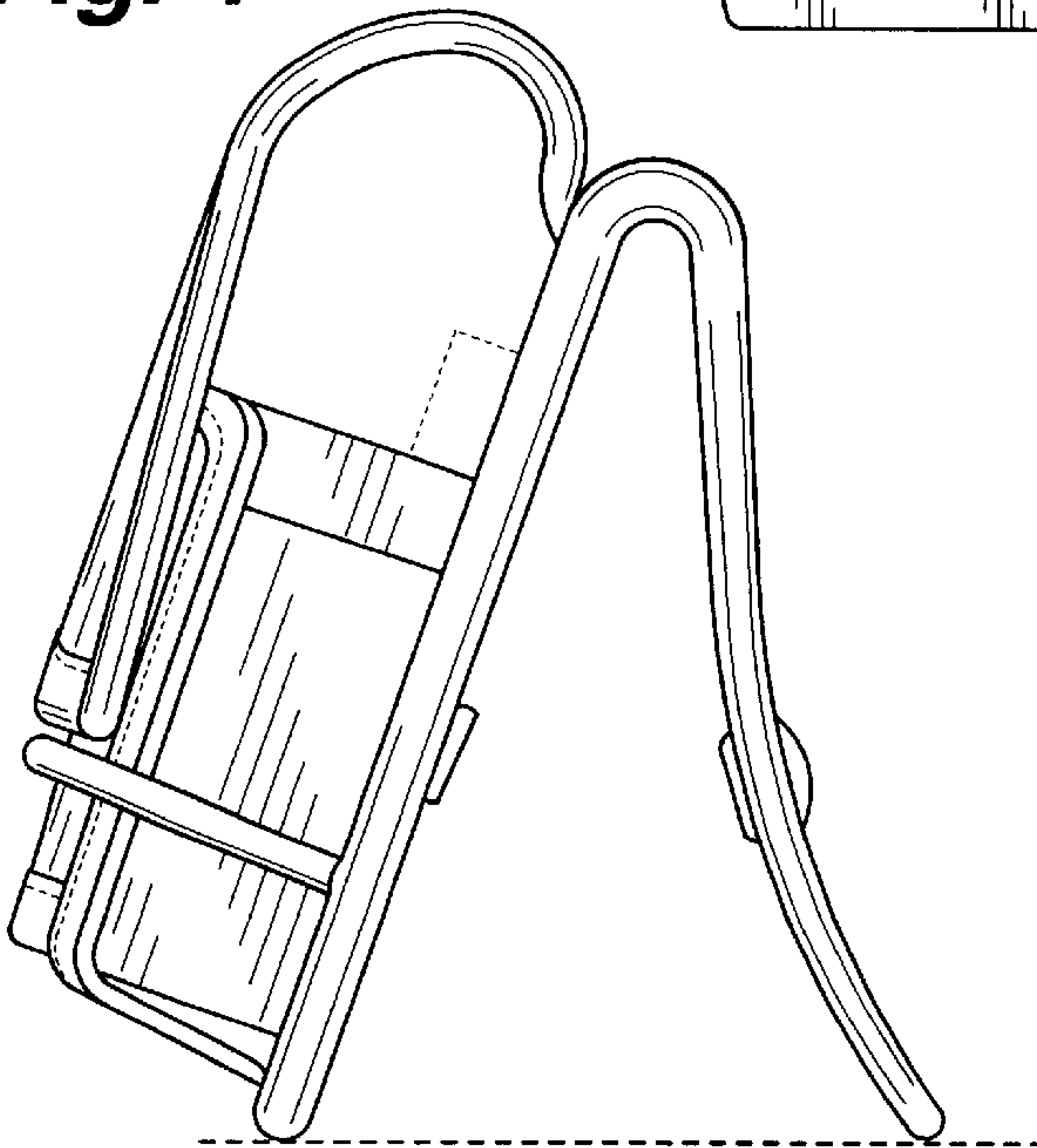


**Fig. 2**

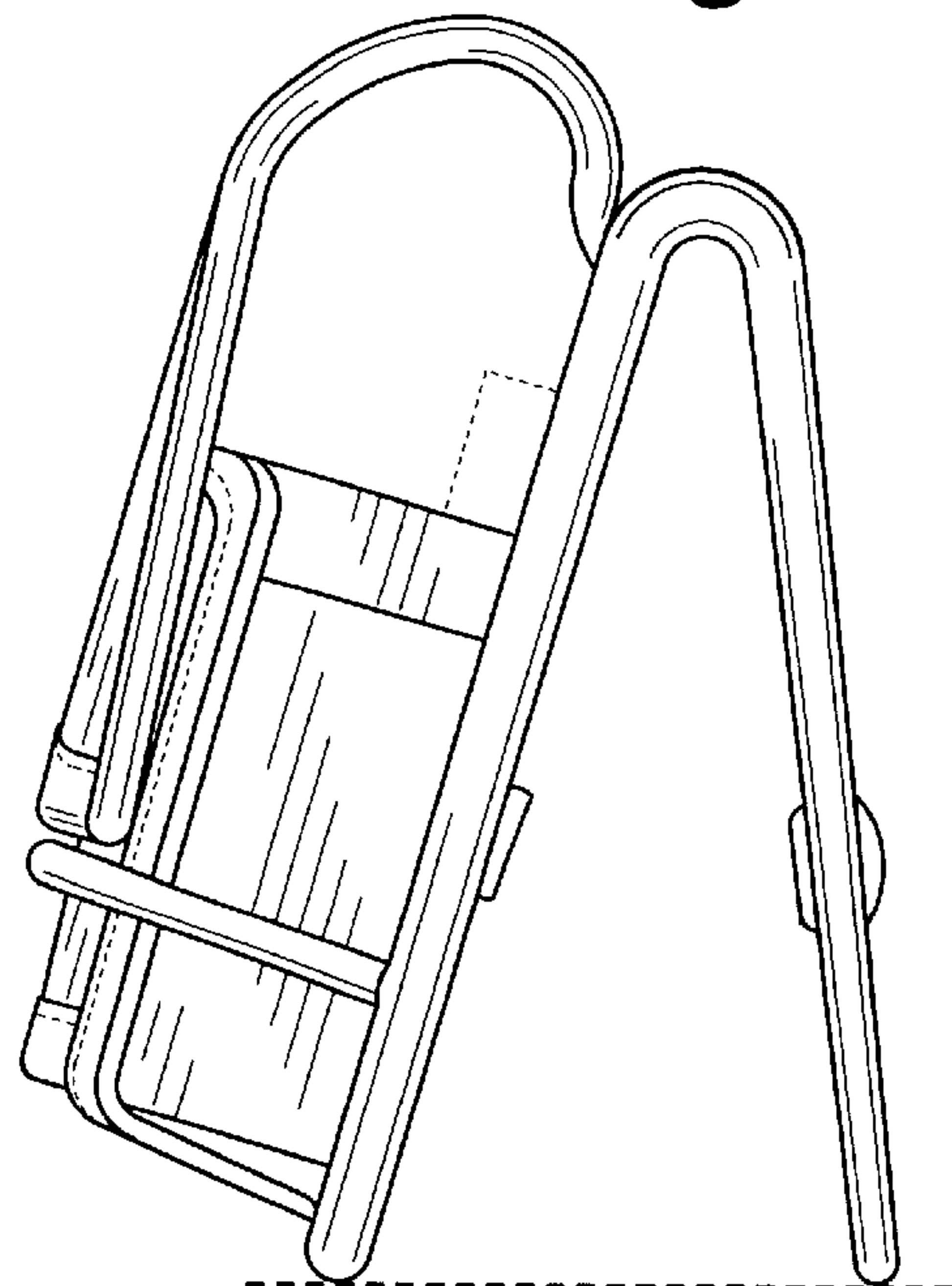


**Fig. 3**

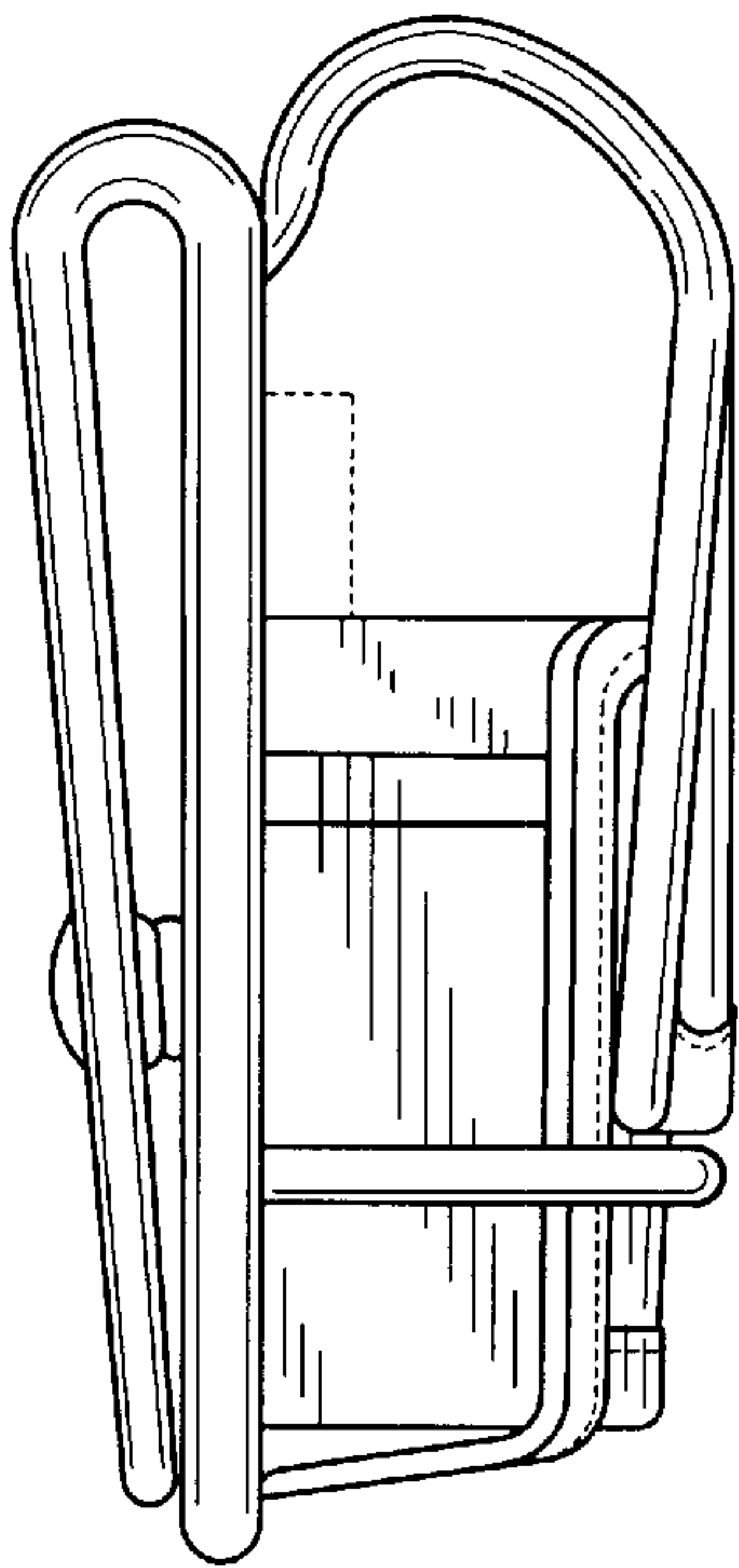
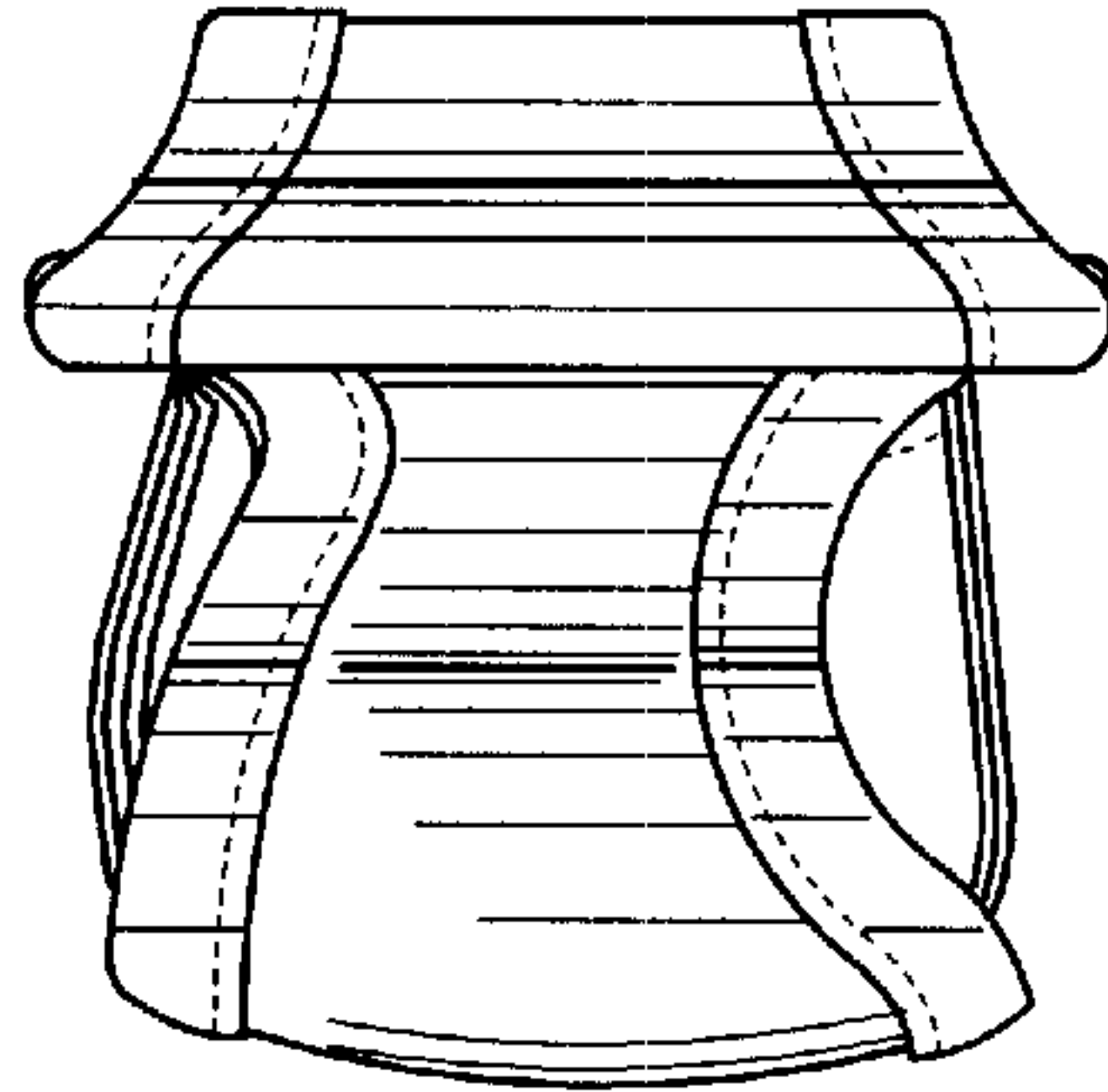
**Fig. 4**



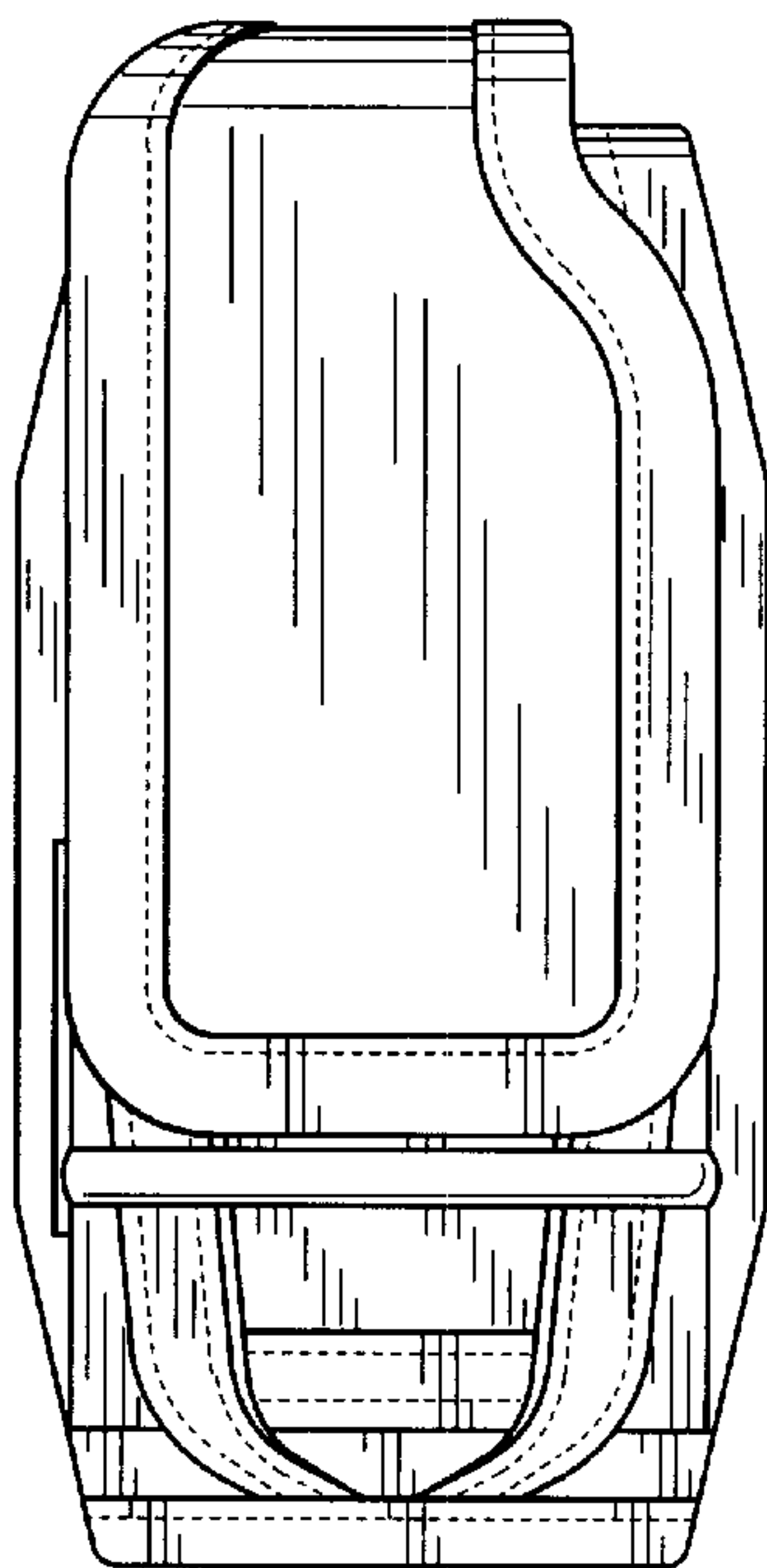
**Fig. 5**



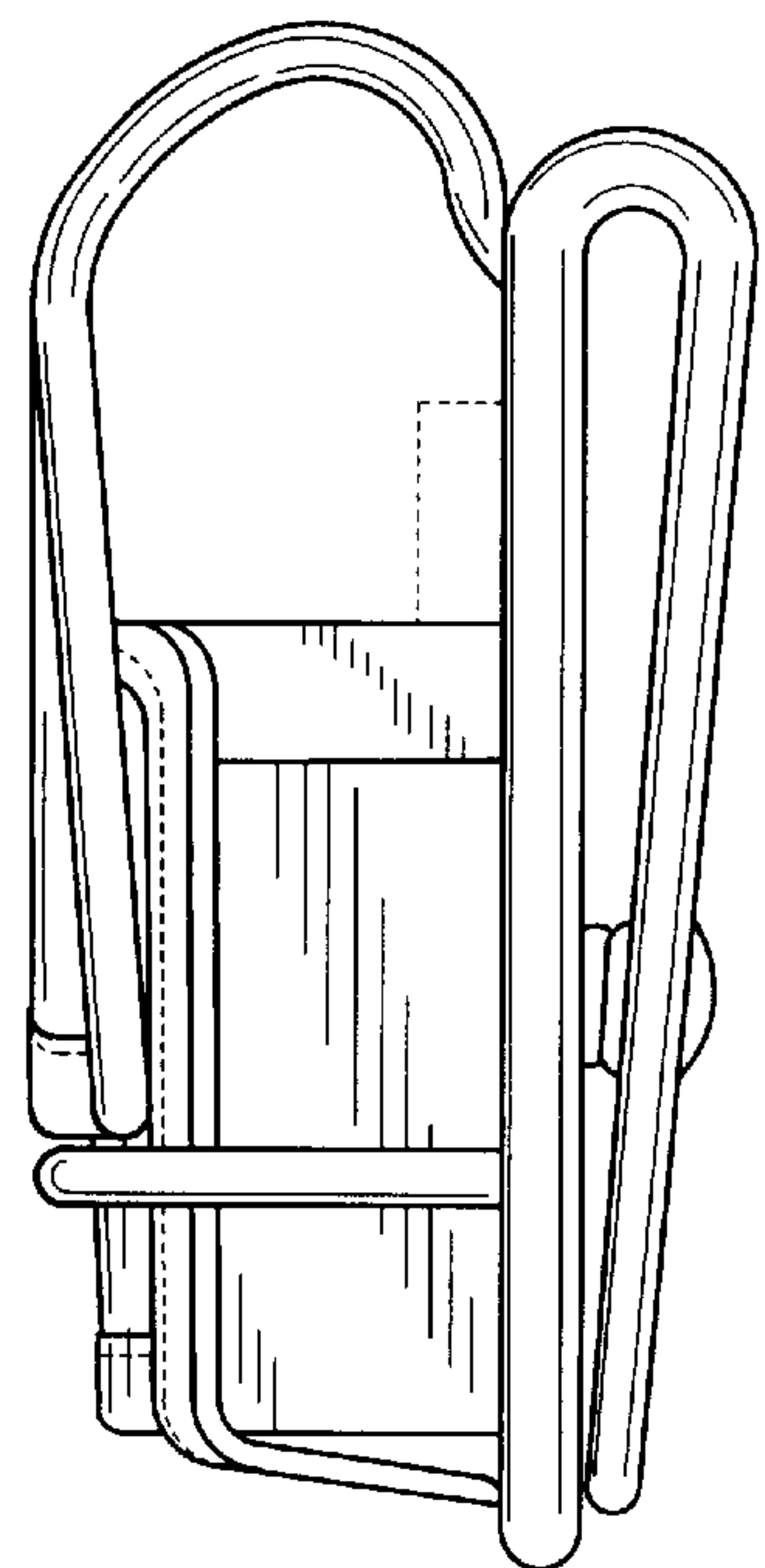
**Fig. 6**



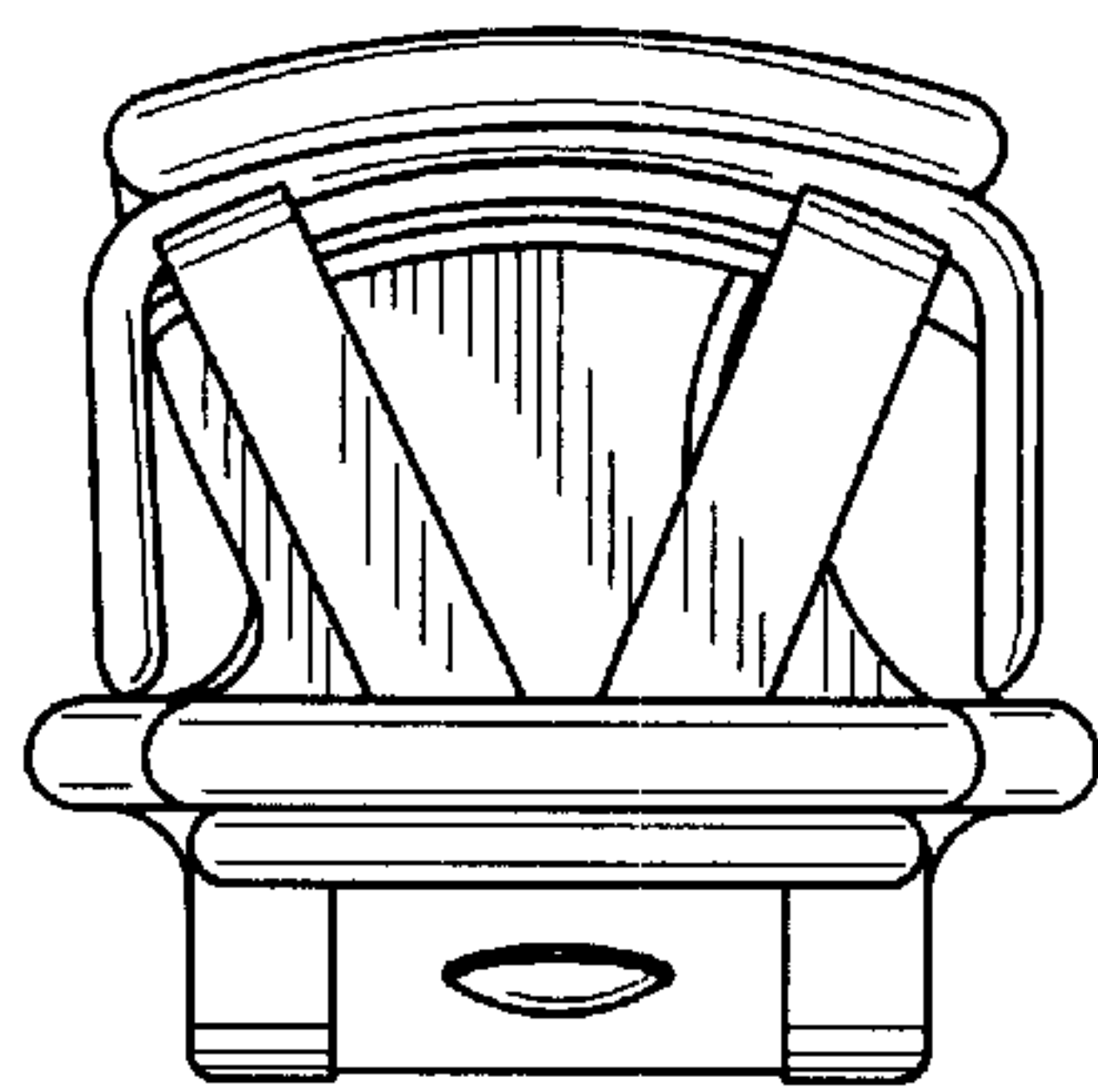
**Fig. 7**



**Fig. 8**



**Fig. 9**



**Fig. 10**