



US00D453416S

(12) **United States Design Patent**  
**Terry**

(10) **Patent No.:** **US D453,416 S**

(45) **Date of Patent:** **\*\* \*Feb. 12, 2002**

(54) **COSMETIC BAG**

(75) **Inventor:** **Katherine Klemmer Terry**, New York, NY (US)

(73) **Assignee:** **Revlon Consumer Products Corporation**, New York, NY (US)

(\* ) **Notice:** This patent is subject to a terminal disclaimer.

(\*\*) **Term:** **14 Years**

(21) **Appl. No.:** **29/120,519**

(22) **Filed:** **Mar. 20, 2000**

(51) **LOC (7) Cl.** ..... **03-01**

(52) **U.S. Cl.** ..... **D3/205**

(58) **Field of Search** ..... D3/232, 233, 245, D3/246, 301, 901; 150/100, 107, 117, 118, 109, 110, 112, 127; 190/100, 109, 111, 115, 118, 119, 903

(56) **References Cited**

**U.S. PATENT DOCUMENTS**

1,979,978 A \* 11/1934 Martin ..... 190/115

D125,508 S \* 2/1941 Pichel ..... D3/246  
2,512,101 A \* 6/1950 Hack ..... 150/107  
D263,897 S \* 4/1982 Thornton ..... D3/243  
D423,771 S \* 5/2000 Gomez et al. .... D3/205

\* cited by examiner

*Primary Examiner*—Louis S. Zarfaz

*Assistant Examiner*—Mark Weingart

(74) *Attorney, Agent, or Firm*—Julie Blackburn

(57) **CLAIM**

The ornamental design for a cosmetic bag, as shown and described.

**DESCRIPTION**

FIG. 1: is a front perspective view of the cosmetic bag in accordance with the invention.

FIG. 2: is a front view of the cosmetic bag.

FIG. 3: is a rear view of the cosmetic bag.

FIG. 4: is a right side view of the cosmetic bag.

FIG. 5: is a left side view of the cosmetic bag.

FIG. 6: is a top plan view of the cosmetic bag; and,

FIG. 7: is a bottom plan view of the cosmetic bag.

**1 Claim, 5 Drawing Sheets**

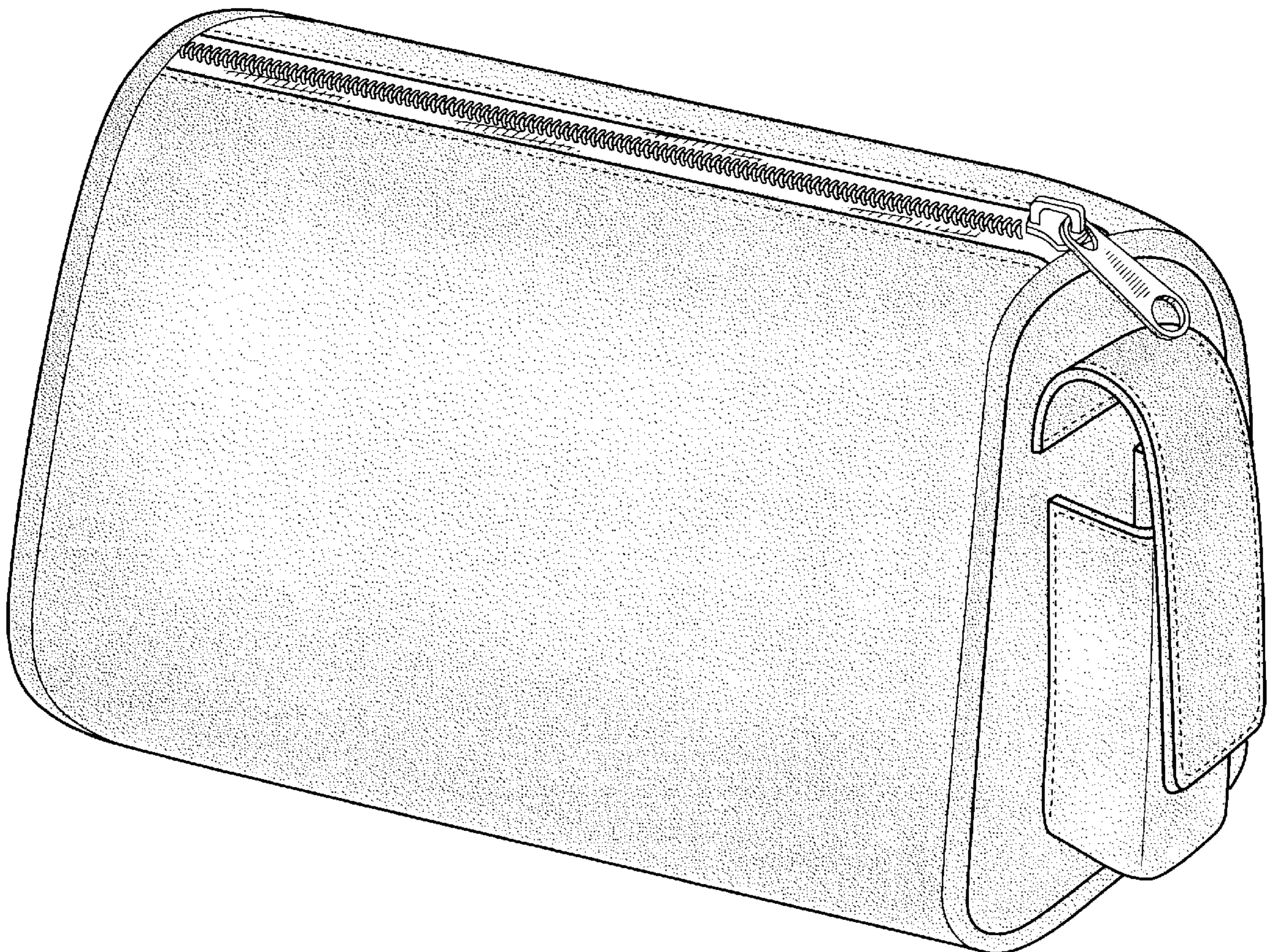


FIG. 1

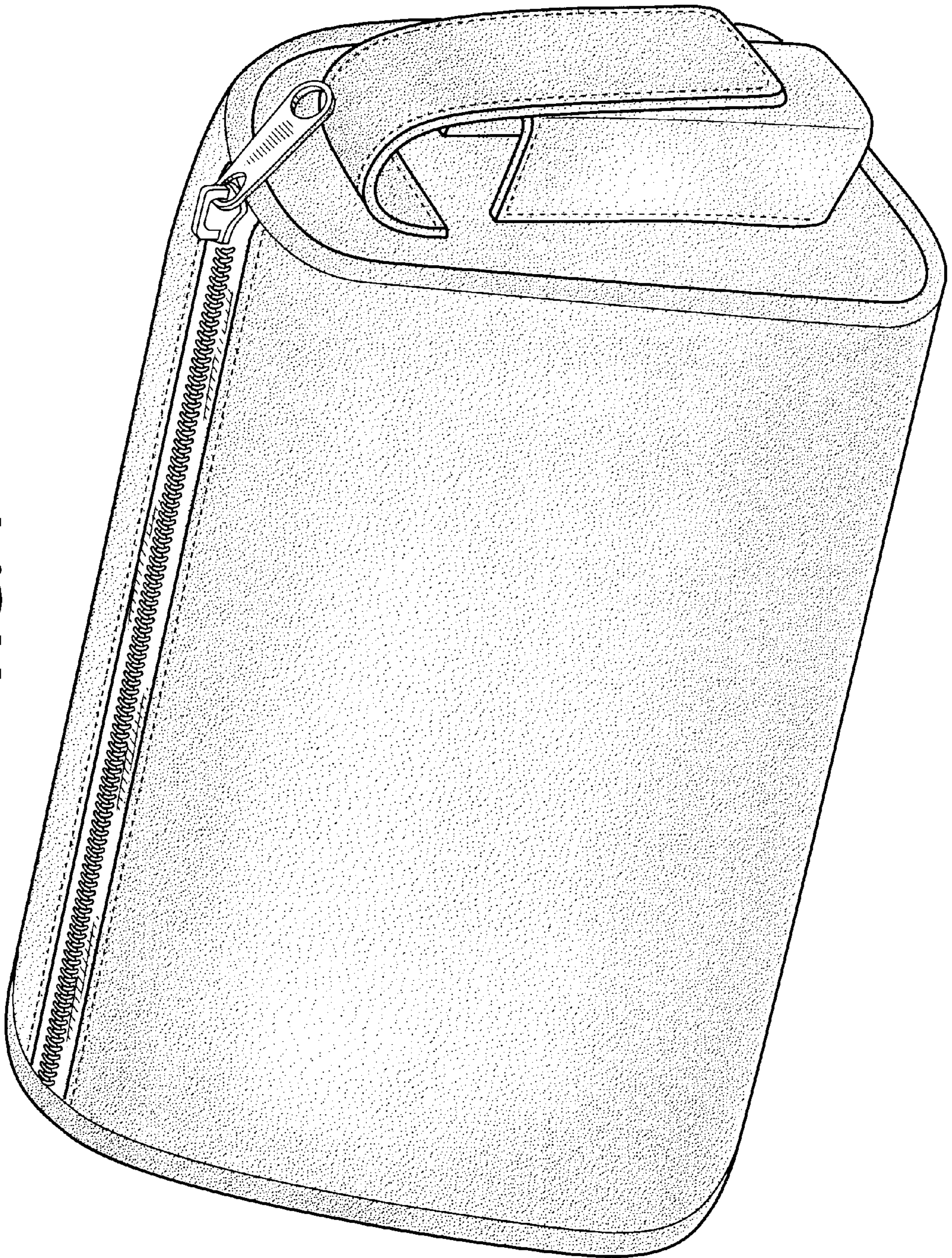


FIG. 2

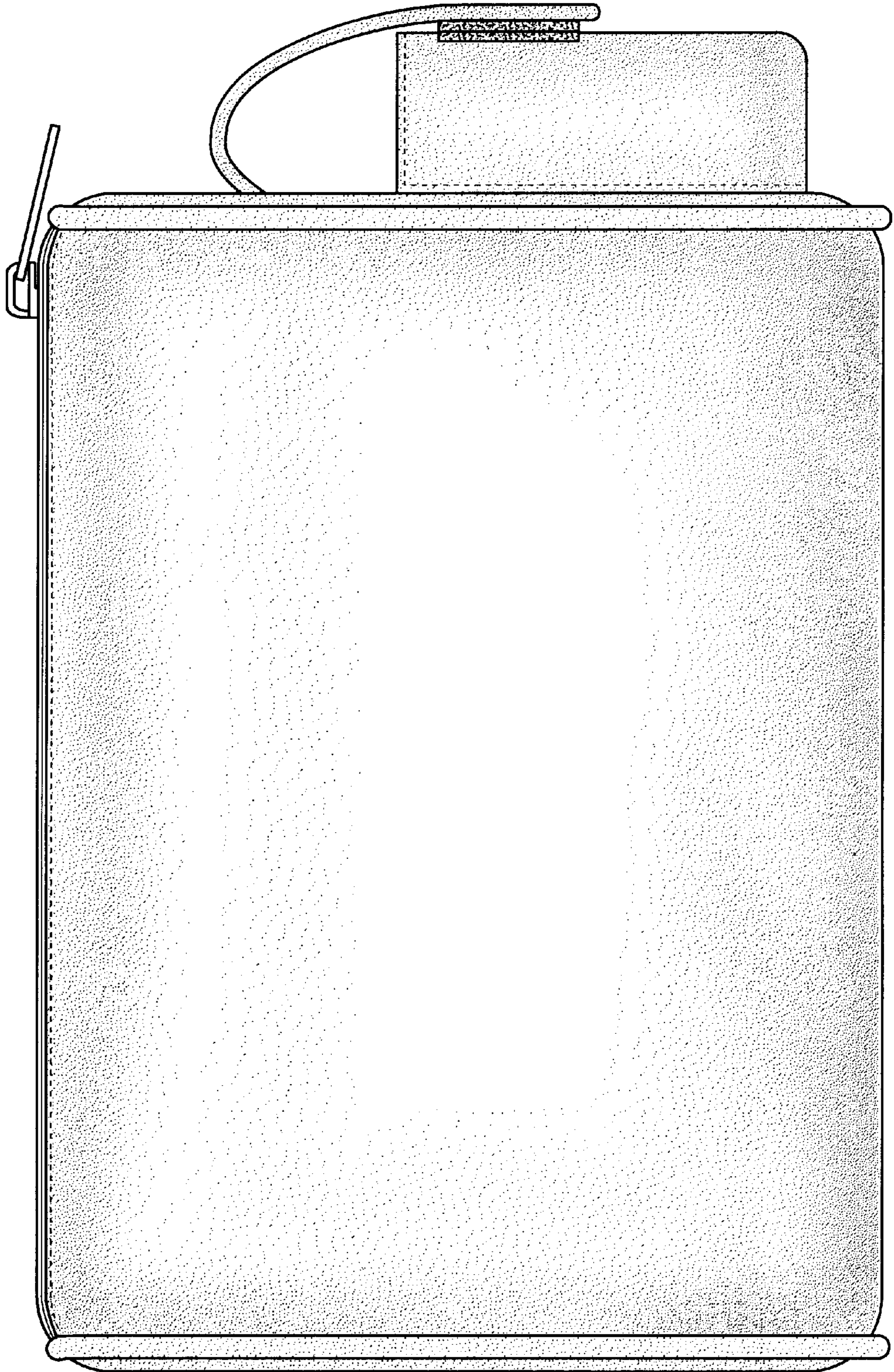


FIG. 3

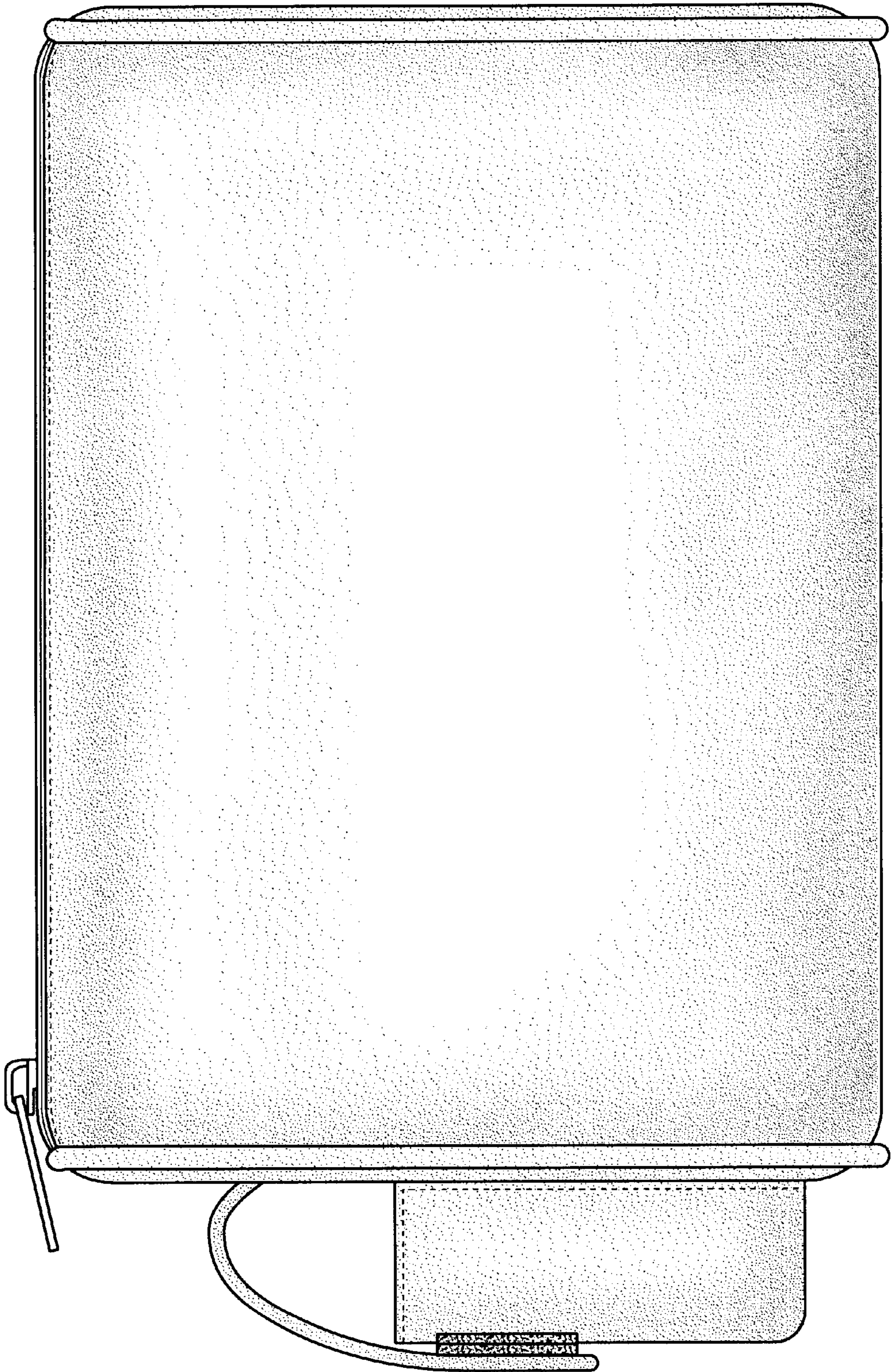


FIG. 5

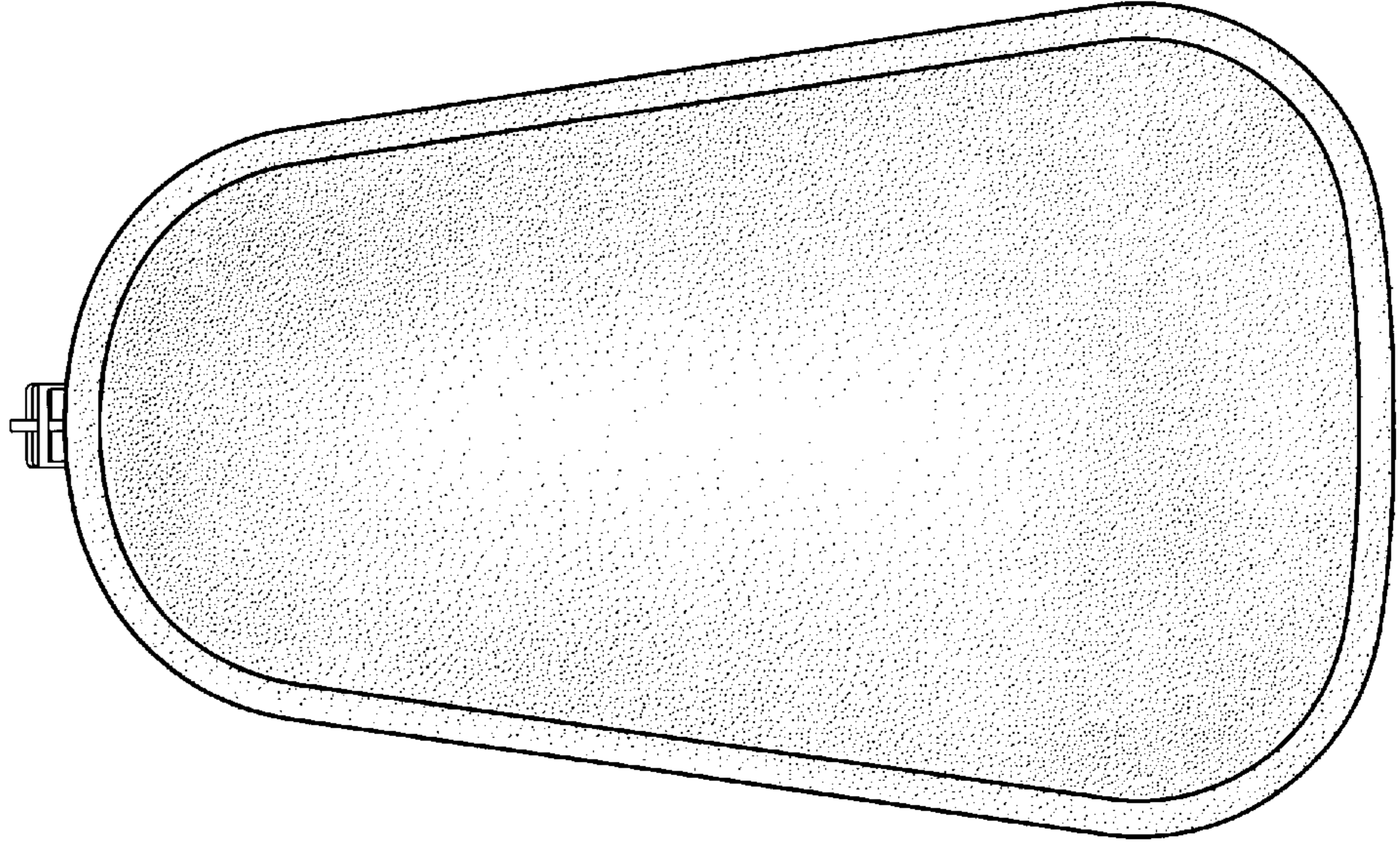
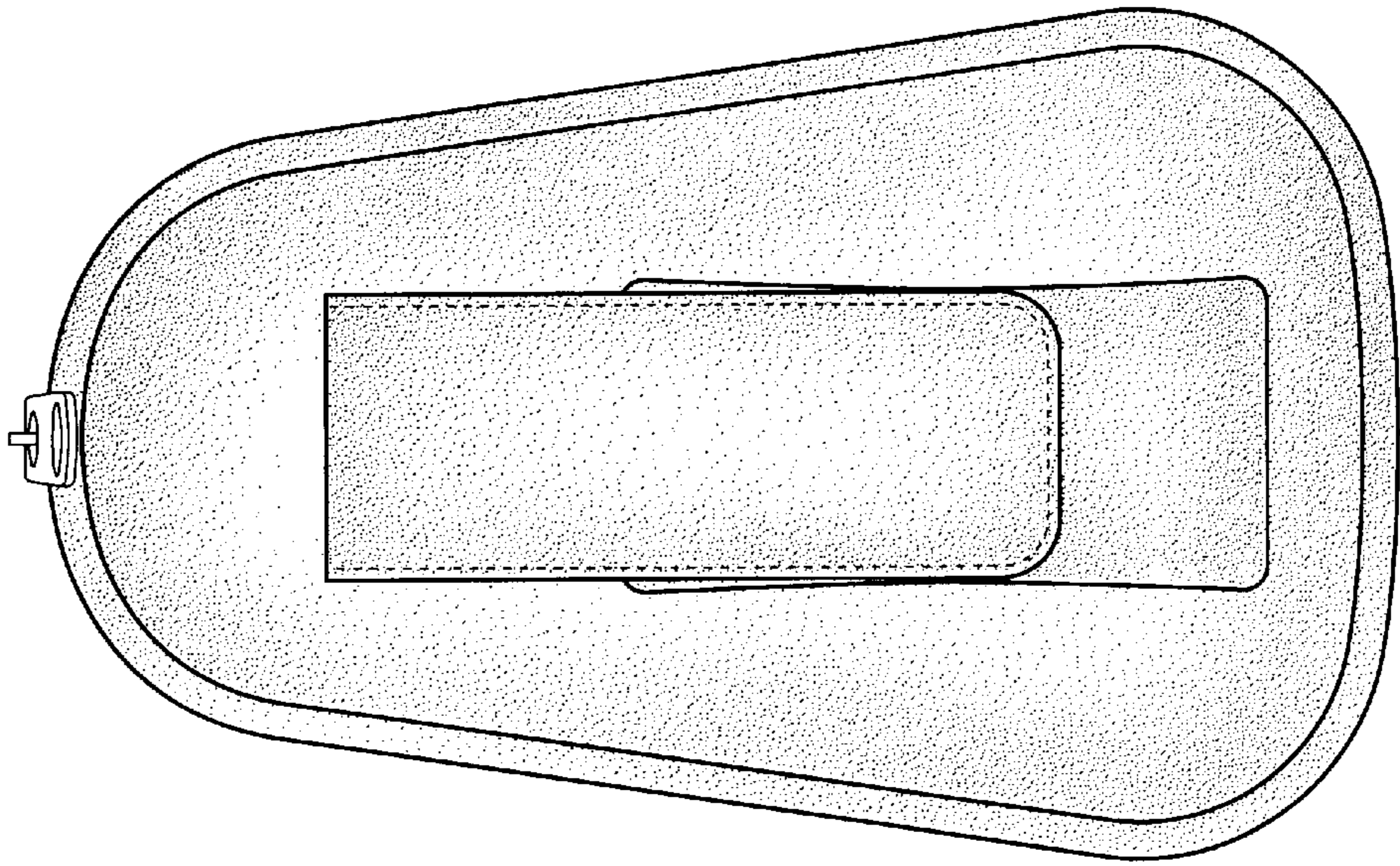


FIG. 4



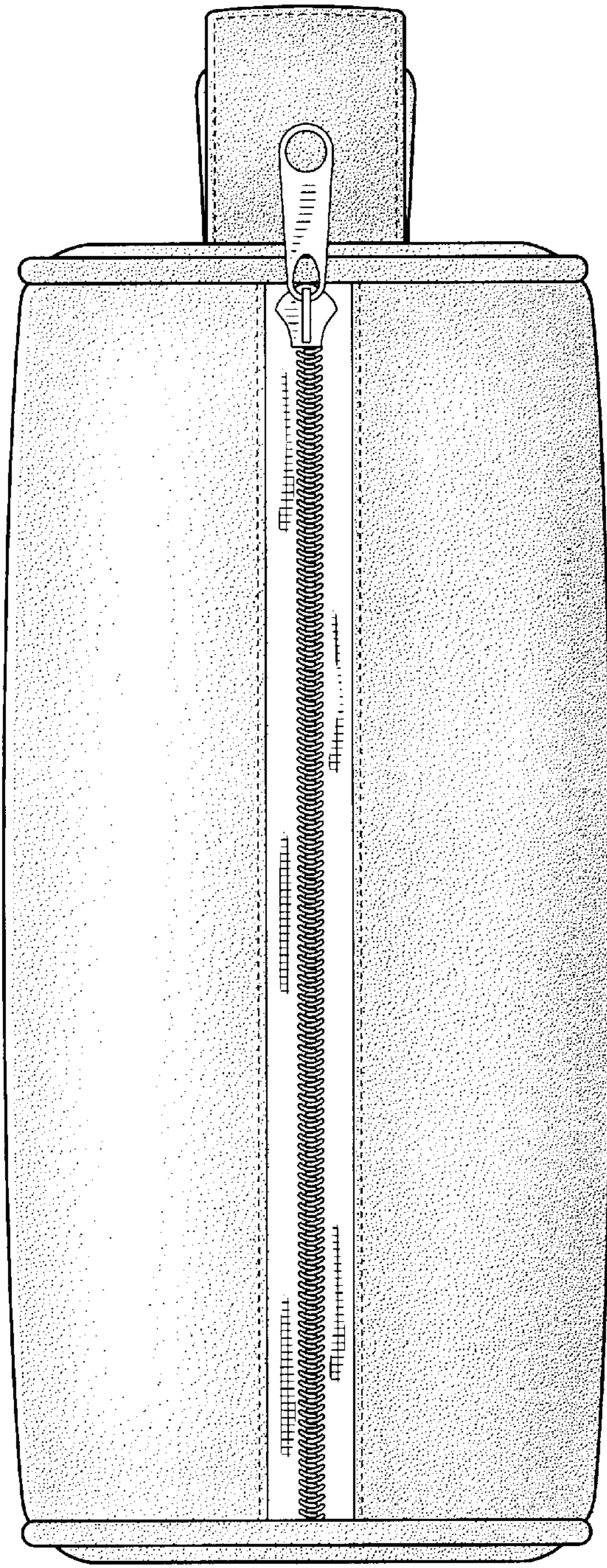


FIG. 6

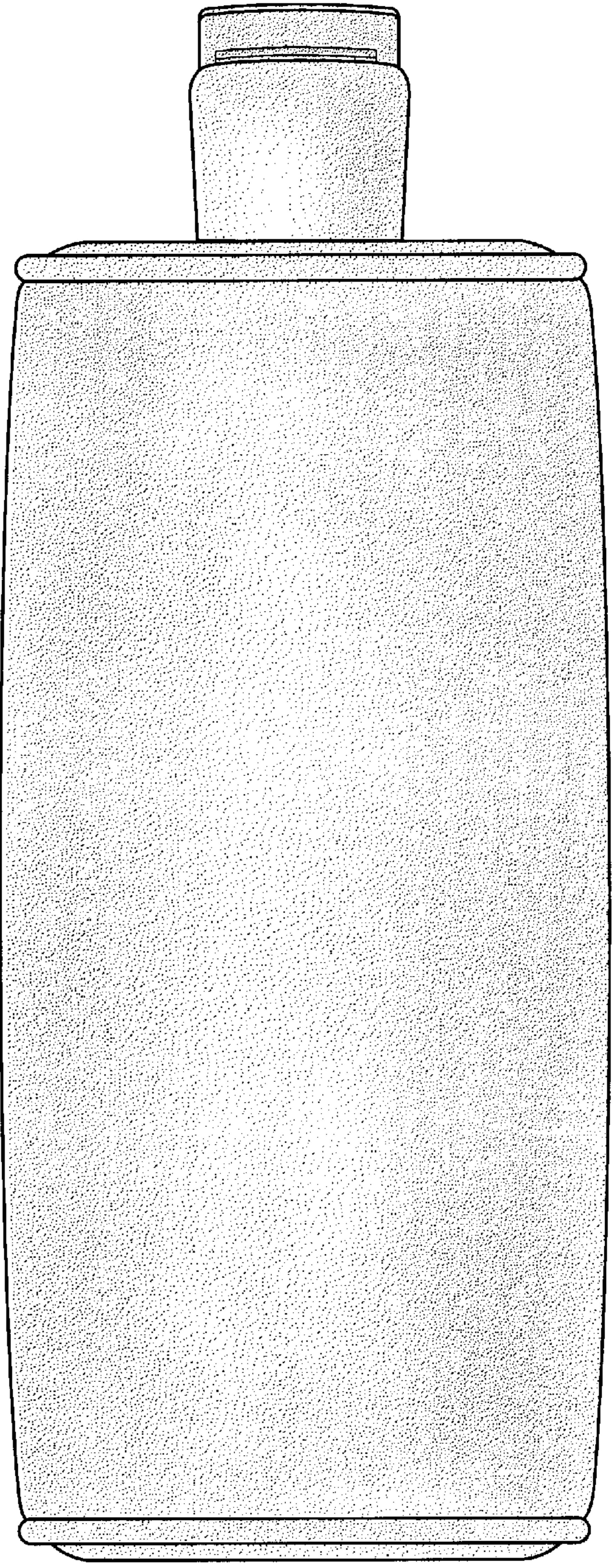


FIG. 7