



US00D453415S

(12) **United States Design Patent**
You

(10) **Patent No.:** **US D453,415 S**

(45) **Date of Patent:** **** Feb. 12, 2002**

(54) **UMBRELLA**

(76) **Inventor:** **Ching-Chuan You, c/o Percy International Patent Corp., P.O. Box 1-79, Taipei (TW)**

(**) **Term:** **14 Years**

(21) **Appl. No.:** **29/138,309**

(22) **Filed:** **Mar. 12, 2001**

(51) **LOC (7) Cl.** **03-03**

(52) **U.S. Cl.** **D3/5**

(58) **Field of Search** D3/5, 6, 10, 12, D3/13, 14, 16, 17; 135/15.1, 33.7, 16, 24, 22, 23, 25.4, 33.4

(56) **References Cited**

U.S. PATENT DOCUMENTS

4,865,063 A	*	9/1989	Williams	135/33.7
D336,982 S	*	7/1993	Johnson et al.	D3/5
D408,125 S	*	4/1999	Kupferman	D3/5
D413,198 S	*	8/1999	You	D3/5

6,024,109 A	*	2/2000	Lin et al.	135/33.7
6,039,063 A	*	3/2000	Lin et al.	135/33.7
6,089,244 A	*	7/2000	Ko	135/33.7
6,237,616 B1	*	5/2001	You	135/33.7

* cited by examiner

Primary Examiner—Lucy Lieberman

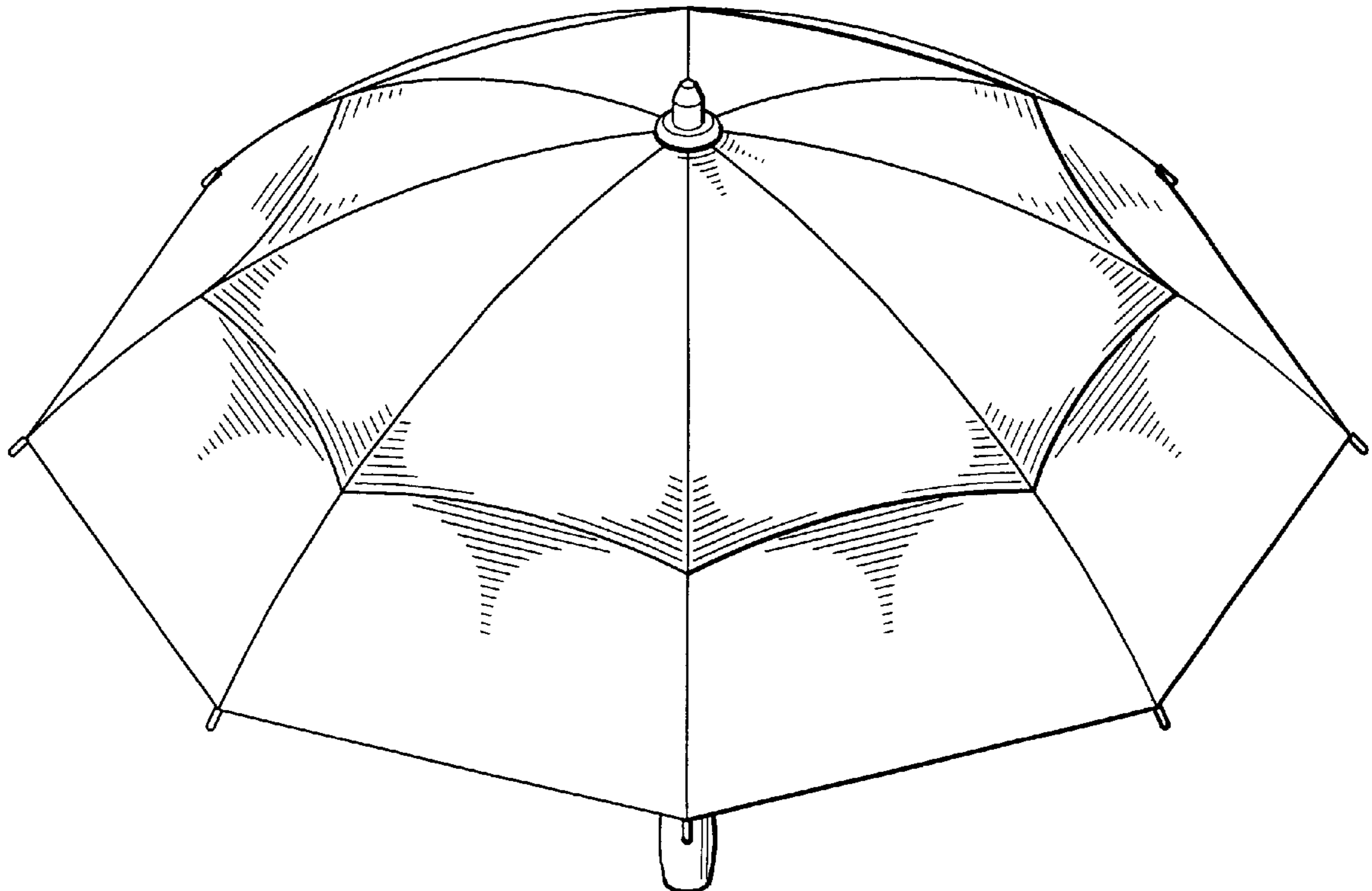
(57) **CLAIM**

The ornamental design for an umbrella, as shown and described.

DESCRIPTION

FIG. 1 is a perspective view of the umbrella of this invention;
 FIG. 2 is a front elevational view thereof; the rear elevational view, the right side elevational view and the left side elevational view being a mirror image thereof;
 FIG. 3 is a top plan view thereof;
 FIG. 4 is a bottom plan view thereof; and,
 FIG. 5 is a perspective view of the umbrella in the upright position.

1 Claim, 5 Drawing Sheets



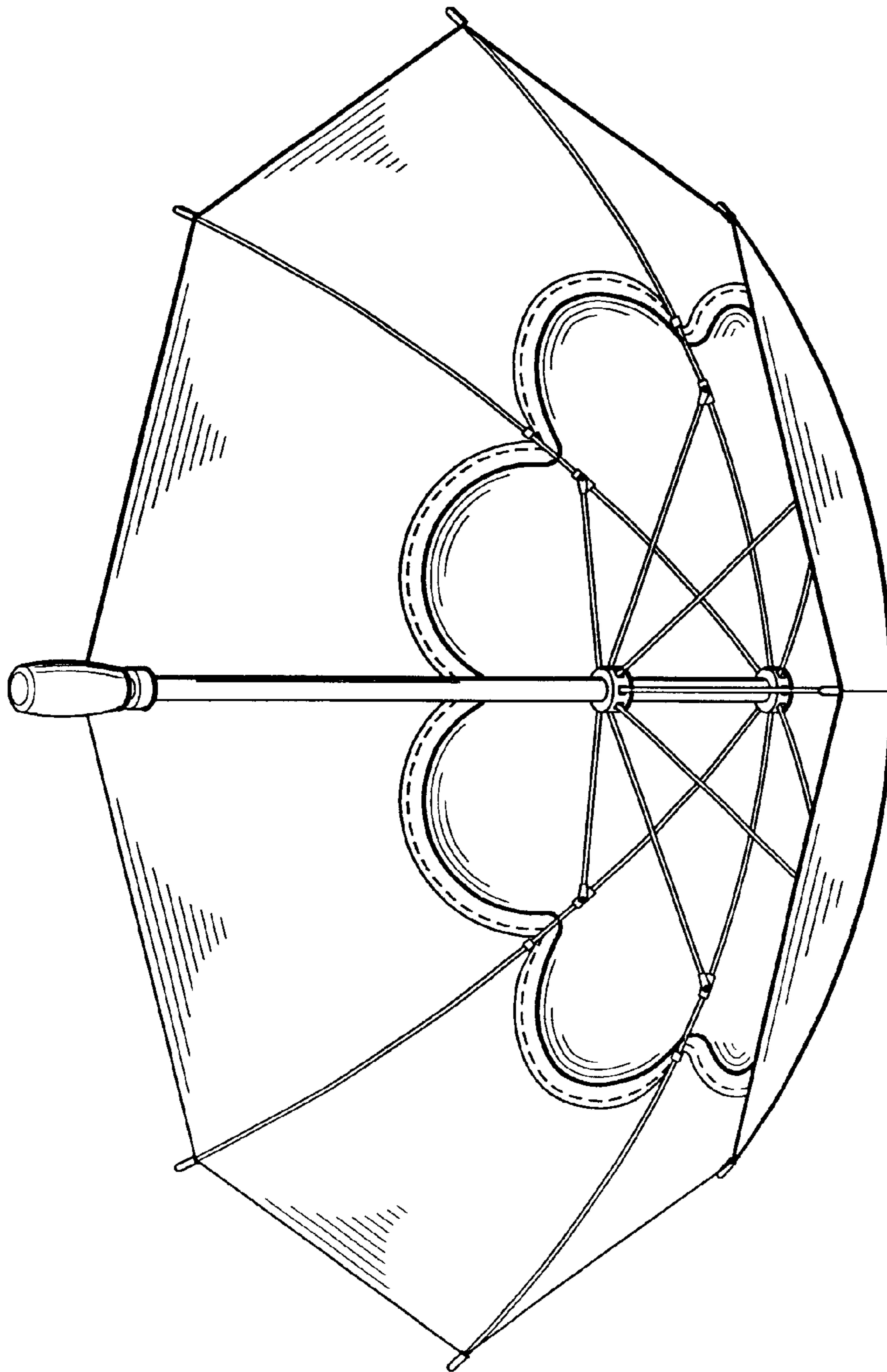


FIG. 1

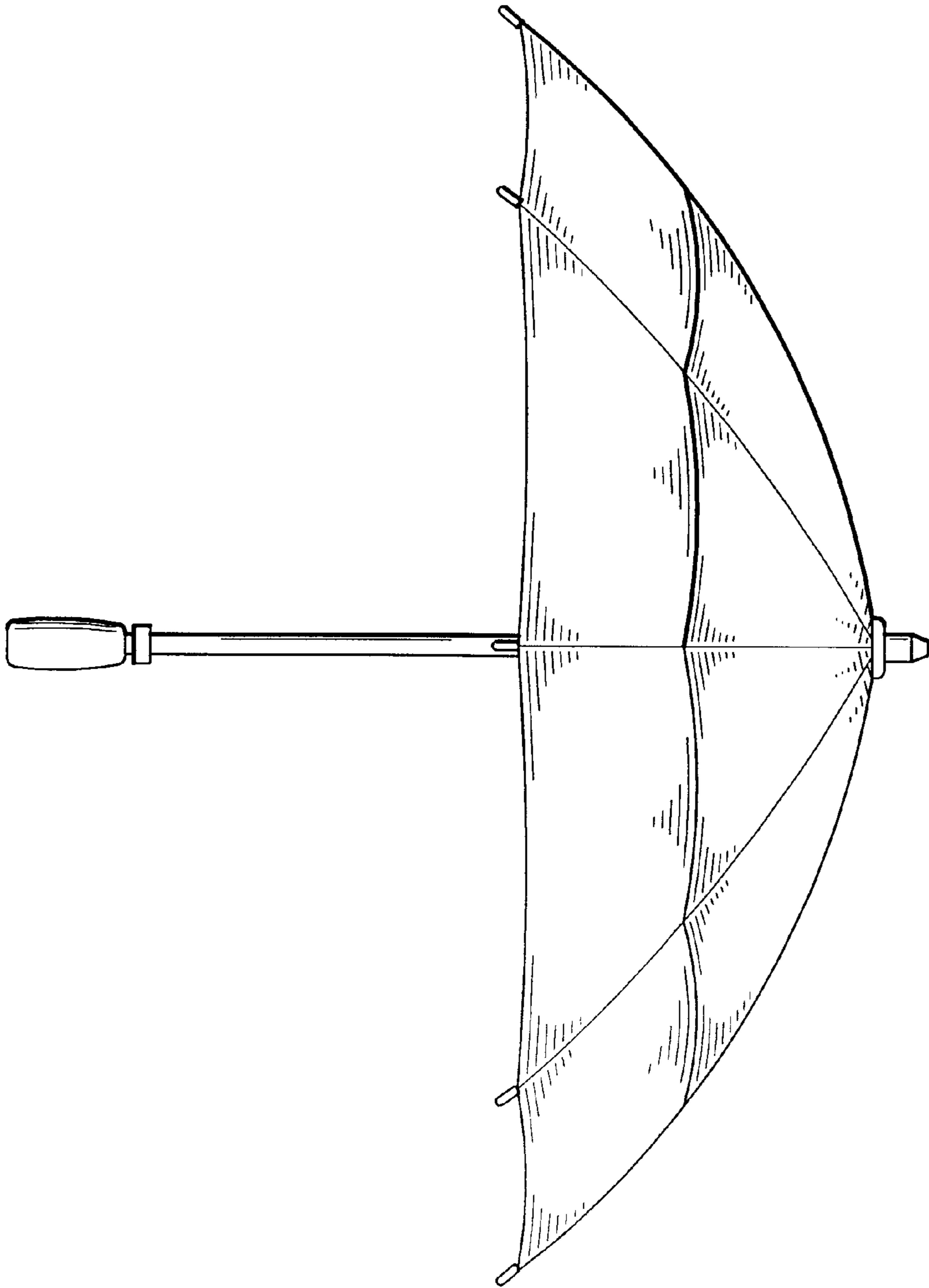


FIG. 2

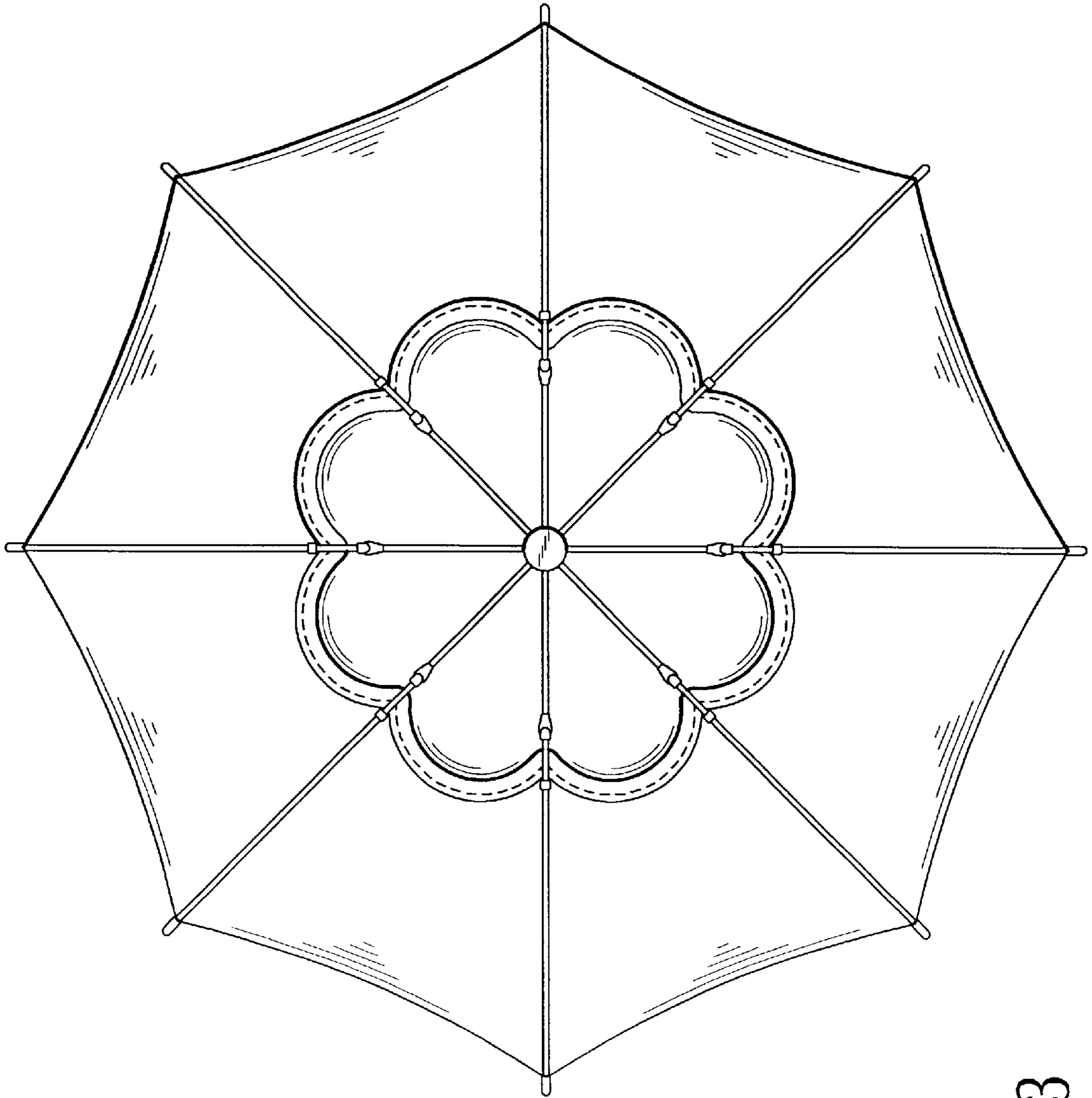


FIG. 3

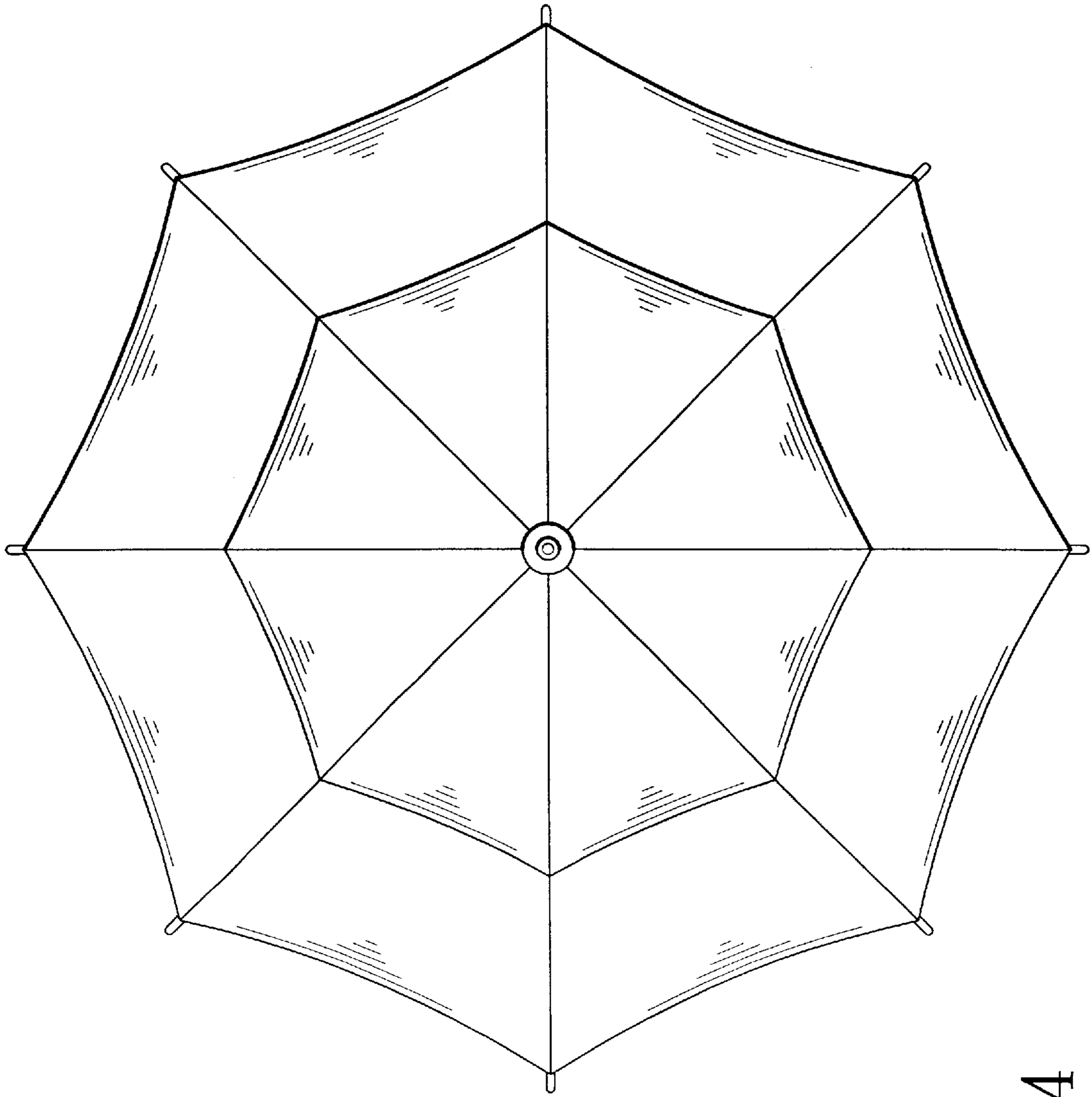


FIG. 4

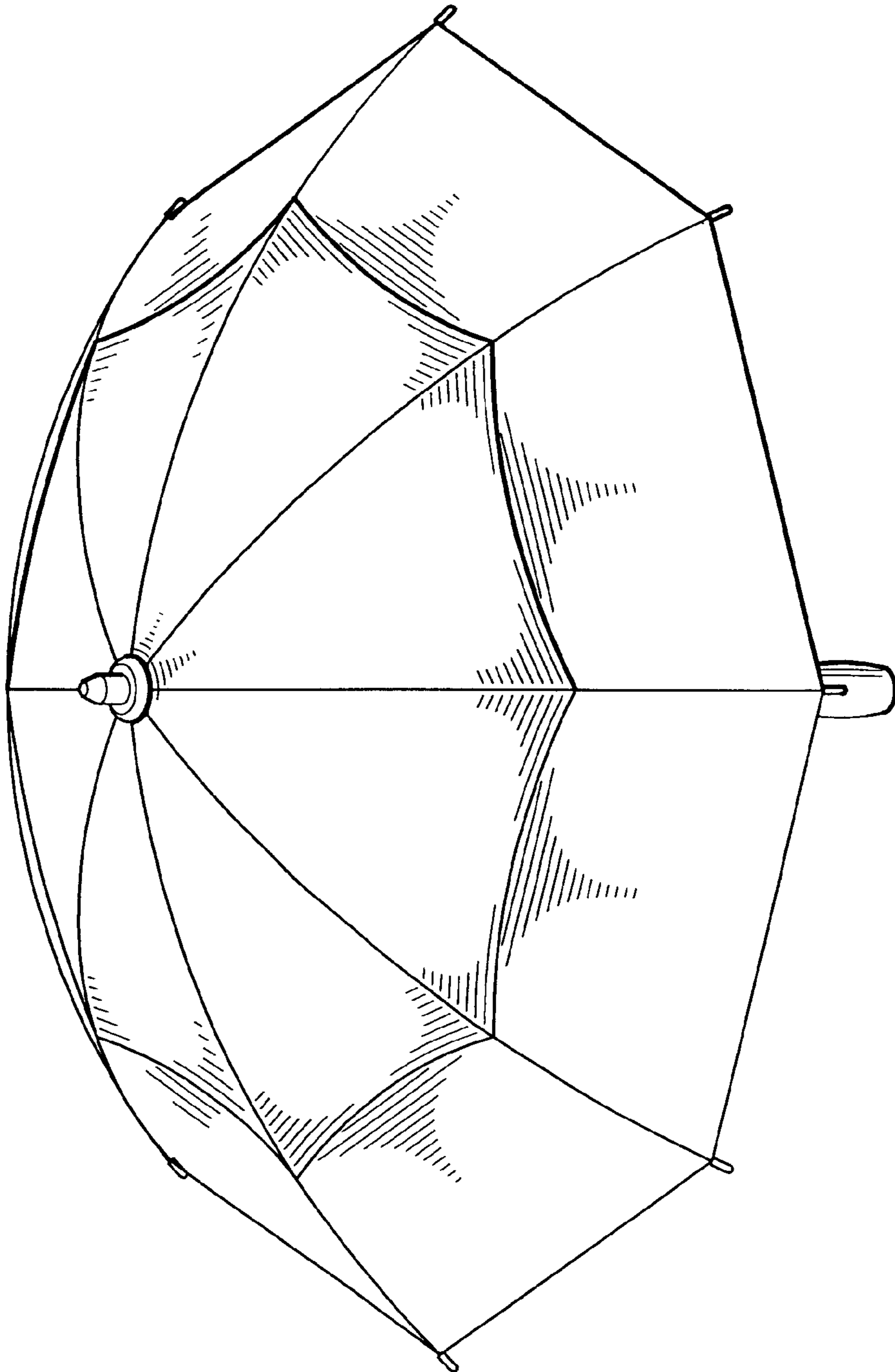


FIG. 5